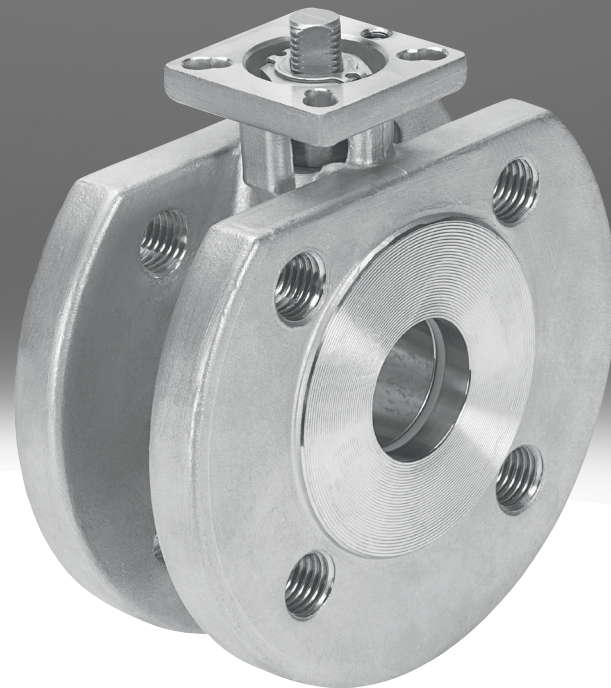


Ball valve VZBC

FESTO



Characteristics

At a glance

The ball valve actuator unit VZBC combines a compact flanged ball valve with a double-acting or single-acting quarter turn actuator. Also for use in zones 1, 21, 2, 22.

- Ball valve actuator unit with double-acting or single-acting quarter turn actuator DAPS
- Stainless steel ball valve in compact design
- NAMUR connection pattern for solenoid valves/limit switch attachments to VDI/VDE 3845
- Flow rate is fully opened or closed in both directions
- Use in zones 1, 21, 2, 22

Type code

001	Series
VZBC	Ball valve

002	Nominal diameter DN
15	15 mm
20	20 mm
25	25 mm
32	32 mm
40	40 mm
50	50 mm
65	65 mm
80	80 mm
100	100 mm

003	Process valve connection type 1
F	Pipe fitting to DIN 2633/DIN 2501

004	Process valve connection type 2
F	Pipe fitting to DIN 2633/DIN 2501

005	Nominal pressure [bar]
16	16
40	40

006	Valve function
22	2/2-way

007	Flanged connection
F0304	Hole pattern 03 and 04
F0405	Hole pattern 04 and 05
F0507	Hole pattern 05 and 07
F07	Hole pattern 07
F0710	Hole pattern 07 and 10

008	Housing material
V4	Stainless steel (chrome-nickel-molybdenum, austenitic/1.4401, 1.4404 (AISI 316L), 1.4408)

009	Shut-off element material
V4	Stainless steel (chrome-nickel-molybdenum, austenitic/1.4401, 1.4404 (AISI 316L), 1.4408)

010	Sealant
T	PTFE

Datasheet

General technical data									
Nominal size DN	15	20	25	32	40	50	65	80	100
Connection Process valve	Ring housing with threaded flange								
Valve function	2/2								
Design	2-way ball valve								
Sealing principle	Soft								
Type of actuation	Mechanical								
Manual override	None								
Switching position indicator	Slot direction = flow direction								
Flow direction	Reversible								
Type of mounting	In-line installation								
Mounting position	optional								
Based on standard	EN 1092-1, ISO 5211								
Actuating torque	10 Nm	13 Nm	17 Nm	24 Nm	35 Nm	54 Nm	85 Nm	117 Nm	148 Nm
Inside diameter	15 mm	20 mm	25 mm	32 mm	38 mm	50 mm	64 mm	76 mm	96 mm
Flow rate Kv	19.4 m ³ /h	45.6 m ³ /h	71.5 m ³ /h	105 m ³ /h	170 m ³ /h	275 m ³ /h	507 m ³ /h	905 m ³ /h	1,414 m ³ /h
Product weight	1,500 g	2,100 g	2,600 g	3,700 g	4,400 g	6,200 g	10,000 g	14,400 g	20,600 g

Operating and environmental conditions										
Nominal size DN	15	20	25	32	40	50	65	80	100	
Connection Process valve	Ring housing with threaded flange									
Medium	Compressed air to ISO 8573-1:2010 [:-:-], Inert gases, Water – no water vapour, Neutral fluids, Other media on request									
Nominal pressure PN	40						16			
Media temperature	-10 ... 200°C									
Corrosion resistance class CRC ¹⁾	3 - high corrosion stress									
CE mark (see declaration of conformity)	–			In accordance with EU Pressure Equipment Directive						
UKCA marking (see declaration of conformity)	–			to UK Pressure Equipment Regulations						

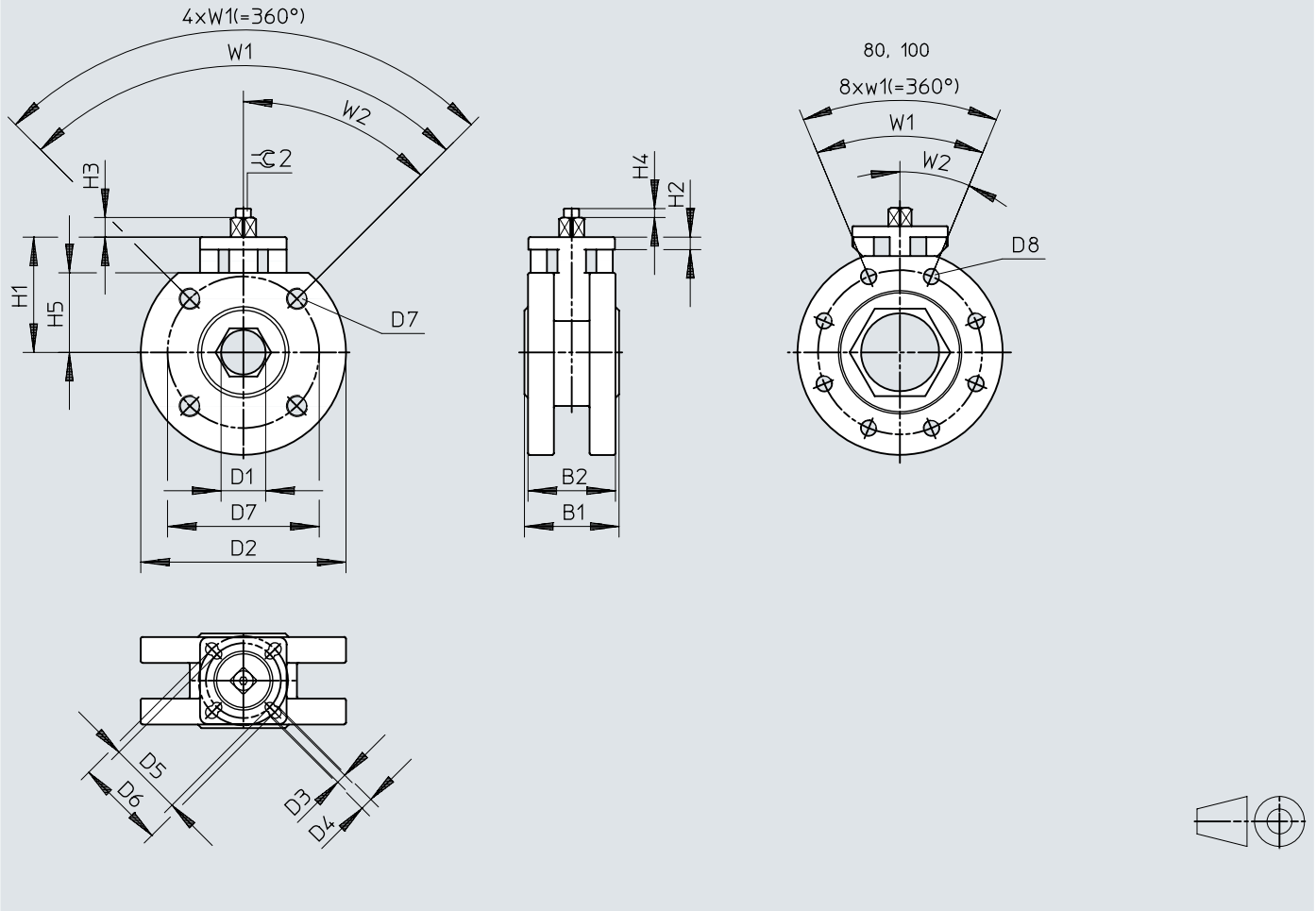
1) Corrosion resistance class CRC 3 to Festo standard FN 940070

High corrosion stress. Outdoor exposure under moderate corrosive conditions. External visible parts with primarily functional surface requirements that are in direct contact with a normal industrial environment.

Materials	
Material housing	High-alloy stainless steel
Material number housing	1.4408
Material ball	High-alloy stainless steel
Material number ball	1.4408
Material shaft	High-alloy stainless steel
Material number shaft	1.4401
Material seals	PTFE PTFE reinforced
Note on materials	RoHS-compliant

Dimensions

Dimensions – Ball valves VZBC, 2-way, compact design

Download CAD data www.festo.com

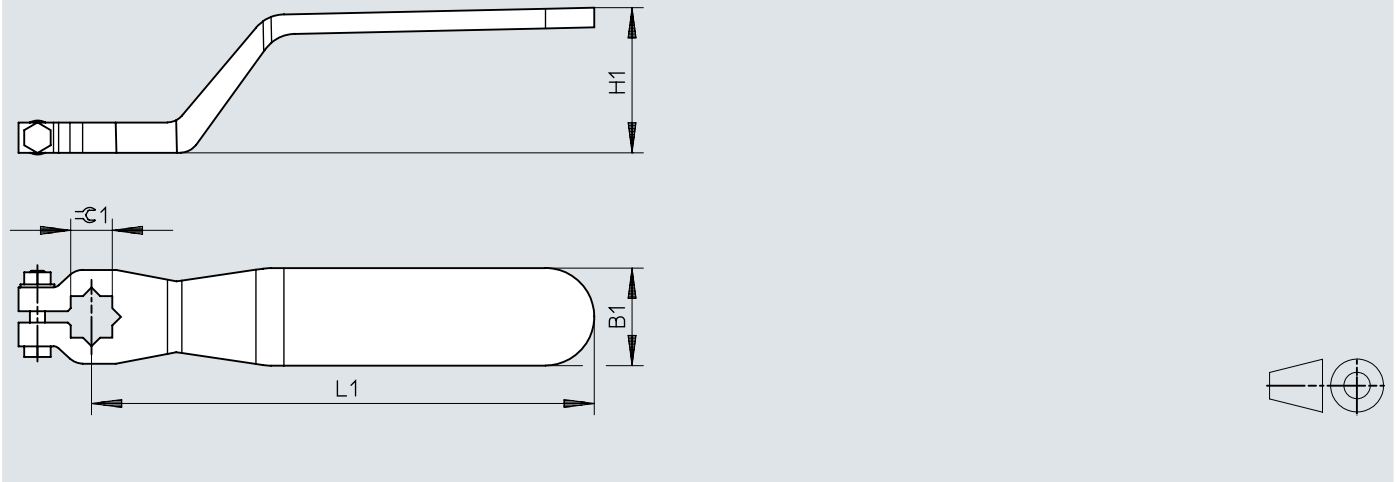
	B1	B2	D1	D2	D3	D4	D5	D6	D7
	+1,6		∅	∅	∅	∅	∅	∅	∅
VZBC-15-FF-40-22-F0304-V4V4T	40	36	15	95	6	5,5	36	42	65
VZBC-20-FF-40-22-F0304-V4V4T	44	40	20	105	6	5,5	36	42	75
VZBC-25-FF-40-22-F0405-V4V4T	53	49	25	115	5,5	7	42	50	85
VZBC-32-FF-40-22-F0405-V4V4T	58,4	54,4	32	140	5,5	7	42	50	100
VZBC-40-FF-40-22-F0507-V4V4T	62	56	38	150	7	8,5	50	70	110
VZBC-50-FF-40-22-F0507-V4V4T	78	72	50	165	7	8,5	50	70	125
VZBC-65-FF-16-22-F07-V4V4T	100	94	64	185	–	9	–	70	145
VZBC-80-FF-16-22-F07-V4V4T	120	114	76	200	–	9	–	70	160
VZBC-100-FF-16-22-F0710-V4V4T	152	146	96	220	9	10,5	70	102	180

	D8	H1	H2	H3	H4	H5	W1	W2	∅C2
				+1,5 –0,5					–0,1
VZBC-15-FF-40-22-F0304-V4V4T	M12	60	6,3	7,86	5	34,5	90°	45°	9
VZBC-20-FF-40-22-F0304-V4V4T	M12	64,3	7	11	5	38,5	90°	45°	9
VZBC-25-FF-40-22-F0405-V4V4T	M12	64,6	7	11	5	44,6	90°	45°	11
VZBC-32-FF-40-22-F0405-V4V4T	M16	69	7	11	–	51	90°	45°	11
VZBC-40-FF-40-22-F0507-V4V4T	M16	76,3	7,2	17	–	55	90°	45°	14
VZBC-50-FF-40-22-F0507-V4V4T	M16	85,5	7,2	15,3	–	63	90°	45°	14
VZBC-65-FF-16-22-F07-V4V4T	M16	105	10,6	14	–	73,5	90°	45°	17
VZBC-80-FF-16-22-F07-V4V4T	M16	123	10,6	18	–	94	45°	22,5°	17
VZBC-100-FF-16-22-F0710-V4V4T	M16	132	12,6	15	–	105	45°	22,5°	17

Dimensions

Dimensions – Hand lever VAOH

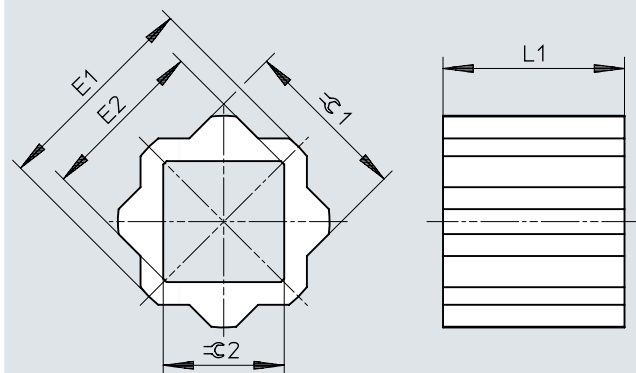
Download CAD data www.festo.com



		B1 ±5	H1 ±5	L1 ±10	$\varnothing 1$ ±0,5
VAOH-9-H9	DN15 ... DN20	21	36	120	9
VAOH-11-H9	DN25 ... DN32	26	40	140	11
VAOH-14-H9	DN40 ... DN50	31	46	180	14
VAOH-17-H9	DN65 ... DN100	36	55	240	17

Dimensions

Dimensions – Reducing sleeve DARQ

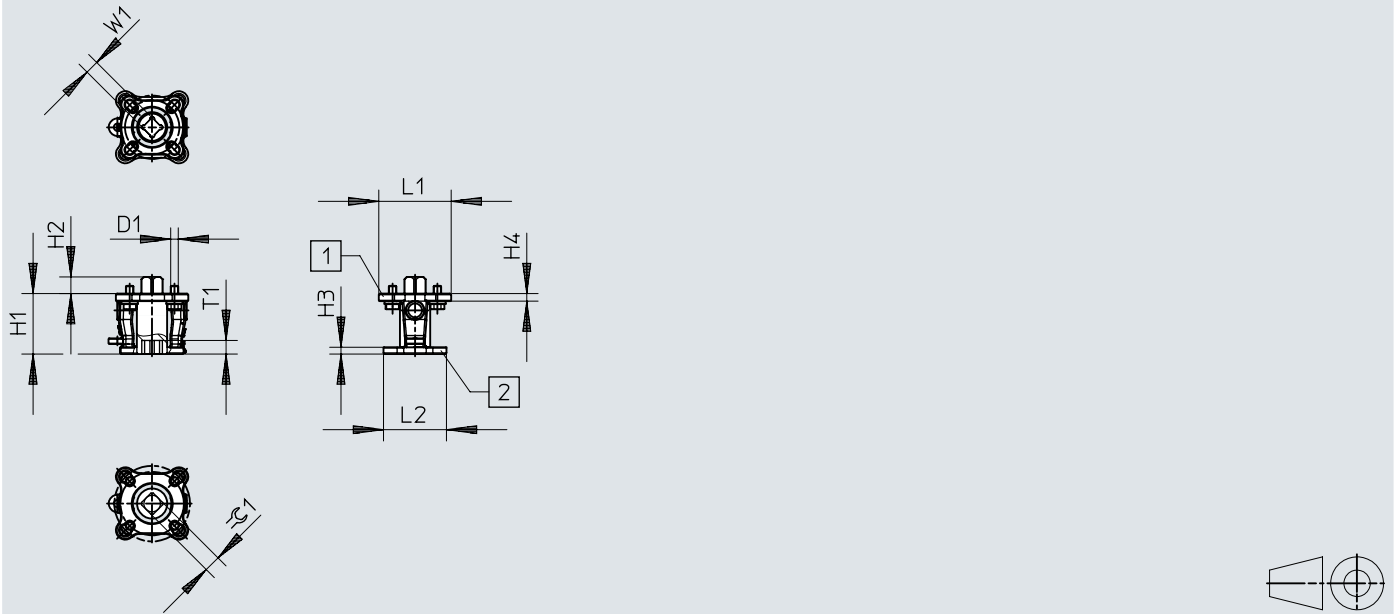
Download CAD data www.festo.com

	E1 +0,1/-0,3	E2 +0,3/-0,1	L1 ±0,2	$\varnothing 1$ -0,02/-0,12	$\varnothing 2$ +0,04/+0,18
DARQ-R-A-S11-S8-...	14	11	12	11	8
DARQ-R-A-S11-S9-...	14	12,3	11	11	9
DARQ-R-A-S14-S8-...	18	11	16	14	8
DARQ-R-A-S14-S9-...	18	12,3	16	14	9
DARQ-R-A-S14-S10-...	18	13,3	16	14	10
DARQ-R-A-S14-S11-...	18	14,3	16	14	11
DARQ-R-A-S14-S12-...	18	16,3	16	14	12
DARQ-R-A-S17-S8-...	22	11	17	17	8
DARQ-R-A-S17-S9-...	22	12,3	17	17	9
DARQ-R-A-S17-S11-...	22	14,3	17	17	11
DARQ-R-A-S17-S12-...	22	16,3	17	17	12
DARQ-R-A-S17-S14-...	22	18,3	17	17	14
DARQ-R-A-S22-S11-...	28	14,3	22	22	11
DARQ-R-A-S22-S14-...	28	18,3	22	22	14
DARQ-R-A-S22-S16-...	28	21,3	22	22	16
DARQ-R-A-S22-S17-...	28	22,3	22	22	17
DARQ-R-A-S27-S14-...	36	18,3	27	27	14
DARQ-R-A-S27-S17-...	36	22,3	27	27	17
DARQ-R-A-S27-S22-...	36	28,5	27	27	22
DARQ-R-A-S36-S22-...	48	28,5	36	36	22
DARQ-R-A-S36-S27-...	48	36,1	36	36	27
DARQ-R-A-S46-S36-...	59	48	46	46	36

Dimensions

Dimensions – Mounting kit DARQ

Download CAD data www.festo.com

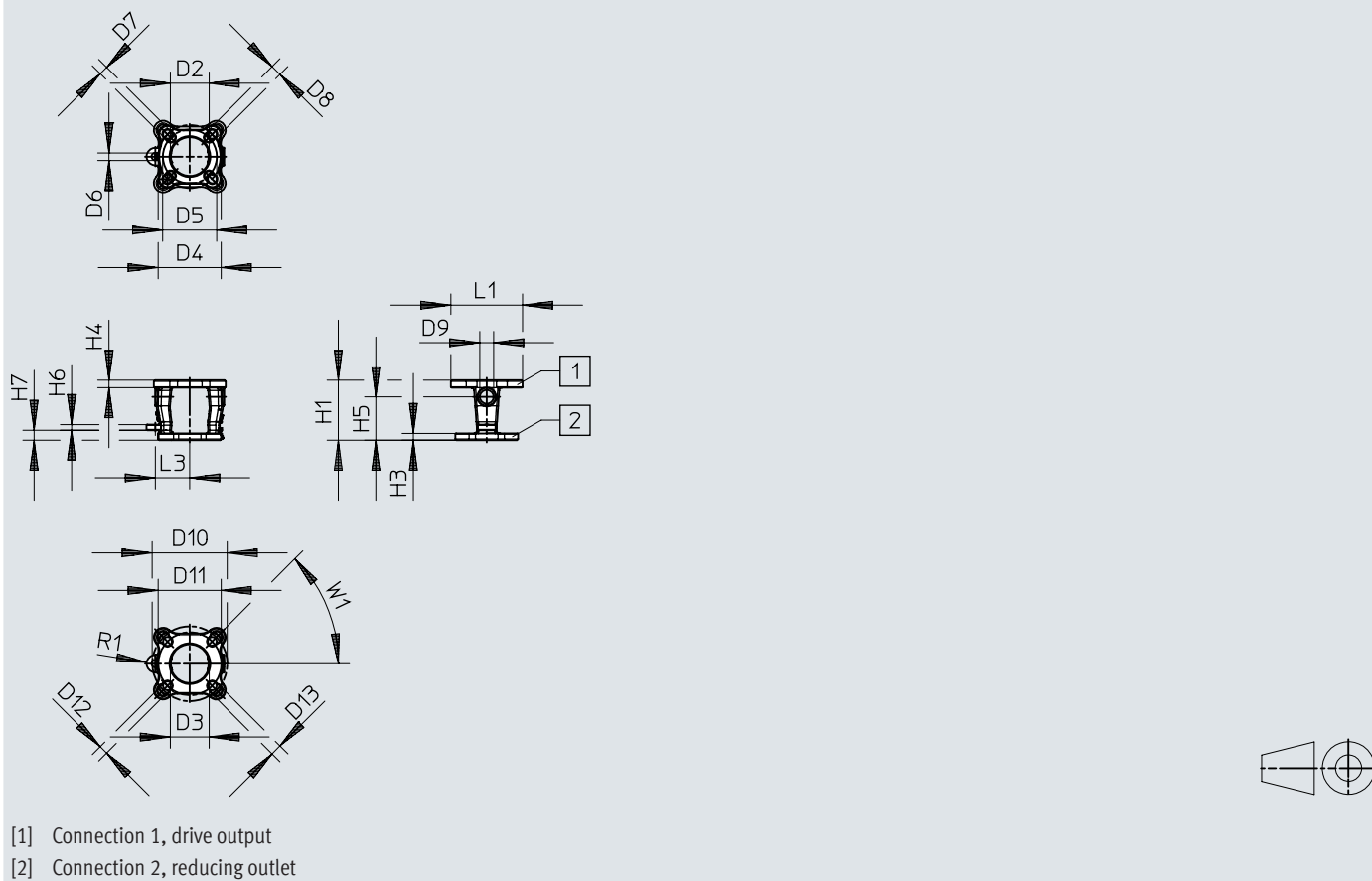


- [1] Connection 1, drive output
- [2] Connection 2, reducing outlet

	D1	H1	H2	H3	H4	L1	L2	T1	W1 H11	⊕ 1 h11
DARQ-K-V-F04S11-F03S9-...	M5	40	11	3,2	5	46	23	9	9	11
DARQ-K-V-F05S14-F03S9-...	M6	40	15	3,2	5	46	23	9	9	14
DARQ-K-V-F05S14-F04S11-...	M6	40	15	3,2	5	46	23	11	11	14
DARQ-K-V-F07S17-F04S11-...	M8	50	18	6	6	66	30,5	11	11	17
DARQ-K-V-F07S17-F05S14-...	M8	50	18	6	6	66	30,5	15	14	17
DARQ-K-V-F10S22-F05S14-...	M10	75	23	10	9,5	132,1	63	15	14	22
DARQ-K-V-F10S22-F07S17-...	M10	75	23	10	9,5	132,1	63	18	17	22

Dimensions

Dimensions – Mounting flange adapter DARQ-B-...R1

Download CAD data www.festo.com

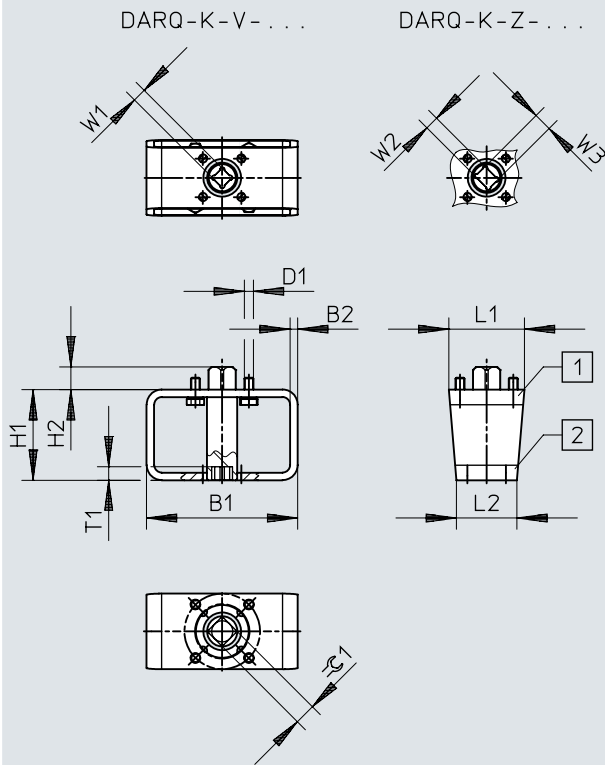
	D2 ø	D3 ø	D4 ø	D5 ø	D6 ø	D7 ø	D8 ø	D9 ø	D10 ø	D11 ø
DARQ-B-F0405-F0304-...	25,9	25,9	42	36	5,1	6,1	6,1	9,4	50	42
DARQ-B-F0507-F0405-...	30,5	36,8	50	42	5,1	7,6	6,6	10,9	70	50
DARQ-B-F0710-F0507-...	38,6	50	70	50	5,1	8,9	7,1	14	102	70
DARQ-B-F1012-F10-...	69,9	76,2	–	102	5,1	–	11,2	17,3	125	102

	D12 ø	D13 ø	H1	H3	H4	H5	H6	H7	L1	L3	W1
DARQ-B-F0405-F0304-...	6,1	7,6	39,9	3,2	5	28,2	3,8	7,1	46	22,9	45°
DARQ-B-F0507-F0405-...	7,6	10,2	50	6	6	36,3	3,8	7,1	66	30,5	45°
DARQ-B-F0710-F0507-...	8,9	10,9	74,9	9,5	9,5	50,5	3,8	7,1	102,1	39,1	45°
DARQ-B-F1012-F10-...	11,2	13	80	10	9,5	58,4	3,8	7,1	132,1	63	45°

Dimensions

Dimensions – Mounting kit DARQ

Download CAD data www.festo.com



- [1] Connection 1, drive output
- [2] Connection 2, reducing outlet

Dimensions

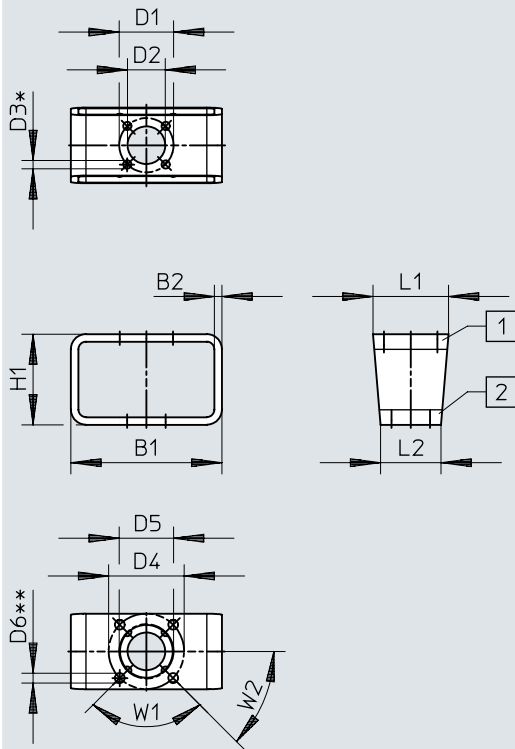
	B1	B2	D1	H1	H2	L1	L2	T1	W1 H11	≈ 1 h11
DARQ-K-V-F03S9-F03S9-...	80	4	M5	50	9	40	40	9	9	9
DARQ-K-V-F04S11-F03S9-...	80	4	M5	50	11	45	40	9	9	11
DARQ-K-V-F04S11-F04S11-...	80	4	M5	50	11	45	45	11	11	11
DARQ-K-V-F05S14-F03S9-...	100	5	M6	60	15	50	40	9	9	14
DARQ-K-V-F05S14-F04S11-...	100	5	M6	60	15	50	45	11	11	14
DARQ-K-V-F05S14-F05S14-...	100	5	M6	60	15	50	50	15	14	14
DARQ-K-V-F07S17-F03S9	100	5	M8	60	18	70	45	9	9	17
DARQ-K-V-F07S17-F04S11-...	100	5	M8	60	18	70	45	11	11	17
DARQ-K-V-F07S17-F05S14-...	100	5	M8	60	18	70	50	15	14	17
DARQ-K-V-F07S17-F07S14-...	100	5	M8	60	18	70	70	15	14	17
DARQ-K-V-F07S22-F05S11-...	100	5	M8	60	23	70	50	11	11	22
DARQ-K-V-F10S22-F04S11	120	5	M10	80	22	95	50	11	11	22
DARQ-K-V-F10S22-F05S14-...	120	5	M10	80	22,5	95	50	15	14	22
DARQ-K-V-F10S22-F07S17-...	120	5	M10	80	22,5	95	70	18	17	22
DARQ-K-V-F10S22-F10S22-...	120	5	M10	80	22,5	95	95	22,5	22	22
DARQ-K-V-F10S27-F05S14-...	120	5	M10	80	27,5	95	50	15	14	27
DARQ-K-V-F10S27-F07S14-...	120	5	M10	80	27,5	95	70	15	14	27
DARQ-K-V-F10S27-F07S17-...	120	5	M10	80	27,5	95	70	18	17	27
DARQ-K-V-F12S27-F05S14	160	6	M12	80	27	115	70	15	14	27
DARQ-K-V-F12S27-F07S14	160	6	M12	80	27	115	70	15	14	27
DARQ-K-V-F12S27-F07S17-...	160	6	M12	80	27	115	70	18	17	27
DARQ-K-V-F12S27-F10S22-...	160	6	M12	80	27	115	95	22,5	22	27
DARQ-K-V-F12S27-F12S27-...	160	6	M12	80	27	115	115	27,5	27	27

	B1	B2	D1	H1	H2	L1	L2	T1	W2 -0,1	W3 H11	≈ 1 h11
DARQ-K-Z-F03S9-F03S9-...	80	4	M5	50	9	40	40	14	9	12,1	9
DARQ-K-Z-F04S11-F03S9-...	80	4	M5	50	11	45	40	14	9	12,1	11
DARQ-K-Z-F04S11-F04S11-...	80	4	M5	50	11	45	45	17	11	14,1	11
DARQ-K-Z-F05S14-F03S9-...	100	5	M6	60	15	50	40	14	9	12,1	14
DARQ-K-Z-F05S14-F04S11-...	100	5	M6	60	15	50	45	17	11	14,1	14
DARQ-K-Z-F05S14-F05S14-...	100	5	M6	60	15	50	50	21	14	18,1	14
DARQ-K-Z-F07S17-F04S11-...	100	5	M8	60	18	70	45	17	11	14,1	17
DARQ-K-Z-F07S17-F05S14-...	100	5	M8	60	18	70	50	21	14	18,1	17
DARQ-K-Z-F07S17-F07S14-...	100	5	M8	60	18	70	70	21	14	18,1	17
DARQ-K-Z-F10S22-F05S14-...	120	5	M10	80	22,5	95	50	21	14	18,1	22
DARQ-K-Z-F10S22-F07S17-...	120	5	M10	80	22,5	95	70	26	17	22,2	22
DARQ-K-Z-F10S22-F10S22-...	120	5	M10	80	22,5	95	95	33	22	28,2	22

Dimensions

Dimensions – Mounting adapter DARQ

Download CAD data www.festo.com




- [1] Drive outlet flange 1
- [2] Reducing outlet flange 2
- [3] * = N1 (number of holes flange 1)
- [4] ** = N2 (number of holes flange 2)

Dimensions

	B1	B2	D1 ∅	D2 ∅	D3 ∅	D4 ∅	D5 ∅	D6 ∅	H1	L1	L2	*N1	**N2	W1	W2
DARQ-B-F03-F03-...	80	4	36	25	5,5	36	25	5,5	50	40	40	4	4	90°	45°
DARQ-B-F04-F03-...	80	4	36	25	5,5	42	30	5,5	50	45	40	4	4	90°	45°
DARQ-B-F04-F04-...	80	4	42	30	5,5	42	30	5,5	50	45	45	4	4	90°	45°
DARQ-B-F05-F03-...	100	5	36	25	5,5	50	35	6,5	60	50	40	4	4	90°	45°
DARQ-B-F05-F04-...	100	5	42	30	5,5	50	35	6,5	60	50	45	4	4	90°	45°
DARQ-B-F05-F05-...	100	5	50	35	6,5	50	35	6,5	60	50	50	4	4	90°	45°
DARQ-B-F07-F04-...	100	5	42	30	5,5	70	55	9	60	70	45	4	4	90°	45°
DARQ-B-F07-F05-...	100	5	50	35	6,5	70	55	9	60	70	50	4	4	90°	45°
DARQ-B-F07-F07-...	100	5	70	55	9	70	55	9	60	70	70	4	4	90°	45°
DARQ-B-F10-F05-...	120	5	50	35	6,5	102	70	11	80	95	50	4	4	90°	45°
DARQ-B-F10-F07-...	120	5	70	55	9	102	70	11	80	95	70	4	4	90°	45°
DARQ-B-F10-F10-...	120	5	102	70	11	102	70	11	80	95	95	4	4	90°	45°
DARQ-B-F12-F07-...	160	6	70	55	9	125	85	13	80	115	70	4	4	90°	45°
DARQ-B-F12-F10-...	160	6	102	70	11	125	85	13	80	115	95	4	4	90°	45°
DARQ-B-F12-F12-...	160	6	125	85	13	125	85	13	80	115	115	4	4	90°	45°

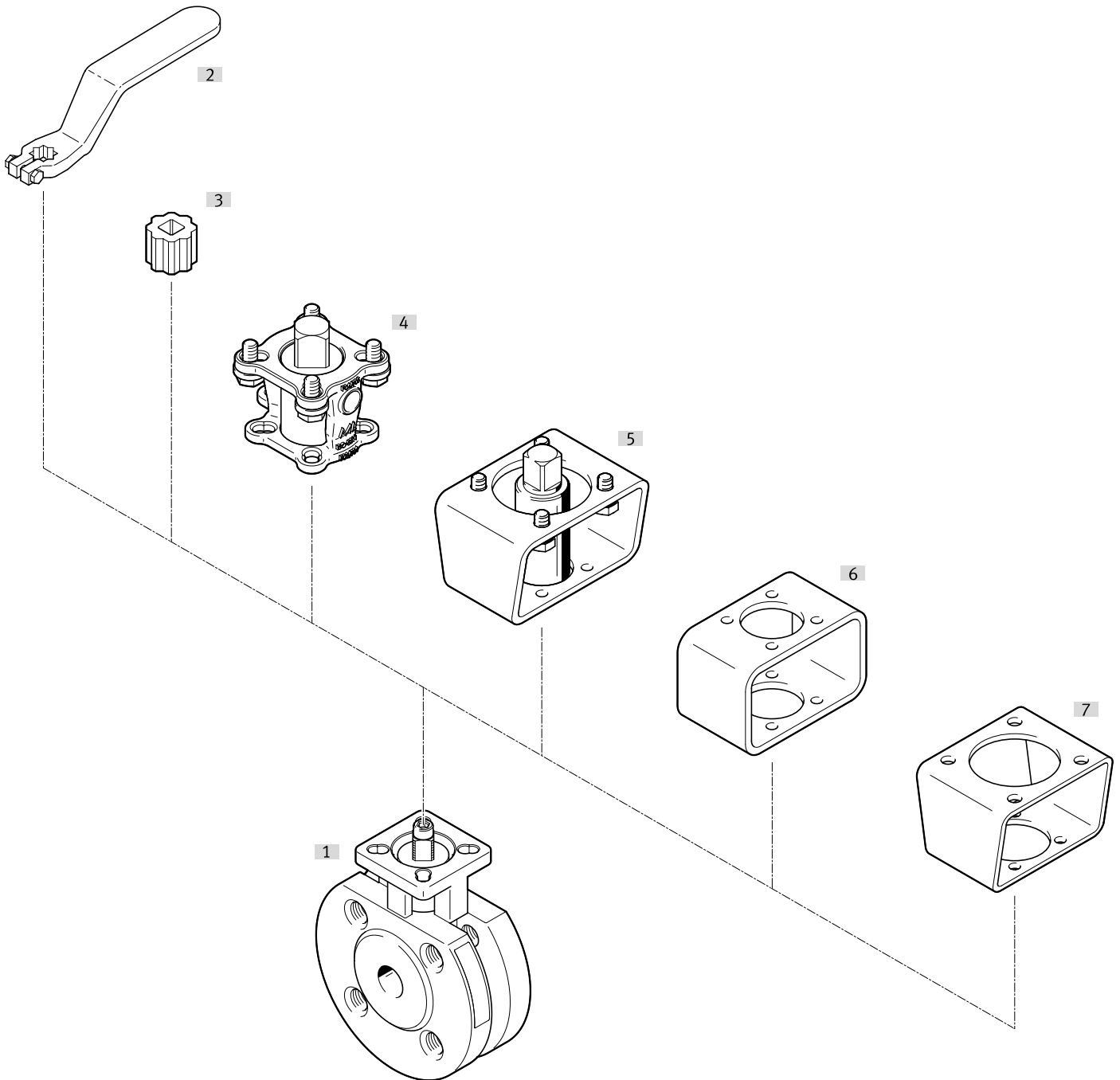
	B1	B2	D1 ∅	D2 ∅	D3 ∅	D4 ∅	D5 ∅	D6 ∅	H1	L1	L2	*N1	**N2	W1	W2
DARQ-B-F14-F10-...	160	6	102	70	11	140	100	17	80	135	95	4	4	90°	45°
DARQ-B-F14-F12-...	160	6	125	85	13	140	100	17	80	135	115	4	4	90°	45°
DARQ-B-F14-F14-...	160	6	140	100	17	140	100	17	80	135	135	4	4	90°	45°
DARQ-B-F16-F12-...	200	6	125	85	13	165	130	21	100	160	115	4	4	90°	45°
DARQ-B-F16-F14-...	200	6	140	100	17	165	130	21	100	160	135	4	4	90°	45°
DARQ-B-F16-F16-...	200	6	165	130	21	165	130	21	100	160	160	4	4	90°	45°
DARQ-B-F25-F14-...	400	10	140	100	17	254	200	17	200	270	135	8	4	45°	22,5°
DARQ-B-F25-F16-...	400	10	165	130	21	254	200	17	200	270	160	8	4	45°	22,5°
DARQ-B-F25-F25-...	400	10	254	200	17	254	200	17	200	270	270	8	4	45°	22,5°
DARQ-B-F30-F16-...	400	10	165	130	21	298	230	21	200	320	160	8	4	45°	22,5°
DARQ-B-F30-F25-...	400	10	254	200	17	298	230	21	200	320	270	8	4	45°	22,5°
DARQ-B-F30-F30-...	400	10	298	200	21	298	230	21	200	320	320	8	4	45°	22,5°

Ordering data

Ordering data				
	Connection Process valve	Product weight	Part no.	Type
	Ring housing with threaded flange	1,500 g	1692198	VZBC-15-FF-40-22-F0304-V4V4T
		2,100 g	1692200	VZBC-20-FF-40-22-F0304-V4V4T
		2,600 g	1692201	VZBC-25-FF-40-22-F0405-V4V4T
		4,400 g	1692204	VZBC-40-FF-40-22-F0507-V4V4T
		6,200 g	1692206	VZBC-50-FF-40-22-F0507-V4V4T
		10,000 g	1692207	VZBC-65-FF-16-22-F07-V4V4T
		14,400 g	1692208	VZBC-80-FF-16-22-F07-V4V4T
		20,600 g	1692209	VZBC-100-FF-16-22-F0710-V4V4T
		3,700 g	1692202	VZBC-32-FF-40-22-F0405-V4V4T

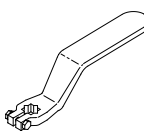
Peripherals

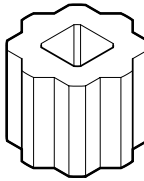
Peripherals overview




Accessories			→ Link
Type/order code	Description		
[1]	Ball valve VZBC	2-way stainless steel ball valve	vzbc
[2]	Hand lever VAOH	High-alloy stainless steel	16
[3]	Reducing sleeve DARQ	<ul style="list-style-type: none"> • Connection 1, drive outlet function • Connection 2, reducing outlet function 	16
[4]	Mounting kit DARQ	<ul style="list-style-type: none"> • Connection 1, drive outlet function • Connection 2, reducing outlet function 	17
[5]	Mounting kit DARQ-K...R13	<ul style="list-style-type: none"> • DARQ-K-V-... (female square and male square) • DARQ-K-V-... (two-flats and male square) 	18
[6]	Mounting flange adapter DARQ	Drive outlet function	18
[7]	Mounting flange adapter DARQ	Reducing outletfunction	18

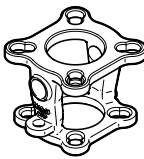
Accessories

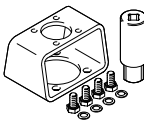
Hand lever VAOH				
	Description	Product weight	Part no.	Type
	For connection DN15...DN20	100 g	542702	VAOH-9-H9
	For connection DN25...DN32	200 g	542703	VAOH-11-H9
	For connection DN40...DN50	300 g	542704	VAOH-14-H9
	For connection DN65...DN100	450 g	542705	VAOH-17-H9

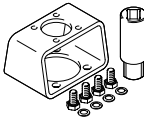
Reducing sleeve DARQ				
	Length	Part no.	Type	
	11 mm	8082140	DARQ-R-A-S11-S9-11-P10	
		8082131	DARQ-R-A-S11-S9-11-P5	
		8082117	DARQ-R-A-S11-S9-11	
		8082145	DARQ-R-A-S11-S9-11-P50	
	12 mm	8082130	DARQ-R-A-S11-S8-12-P5	
		8082116	DARQ-R-A-S11-S8-12	
		16 mm	8086383	DARQ-R-A-S14-S8-16
			8082120	DARQ-R-A-S14-S11-16
	8082121		DARQ-R-A-S14-S12-16	
	8082147		DARQ-R-A-S14-S11-16-P50	
	8082142		DARQ-R-A-S14-S11-16-P10	
	8082132		DARQ-R-A-S14-S9-16-P5	
	8082133		DARQ-R-A-S14-S11-16-P5	
	8086388		DARQ-R-A-S14-S8-16-P5	
	8082118		DARQ-R-A-S14-S9-16	
	8082146		DARQ-R-A-S14-S9-16-P50	
	8082141		DARQ-R-A-S14-S9-16-P10	
	8082119		DARQ-R-A-S14-S10-16	
	17 mm	8086384	DARQ-R-A-S17-S8-17	
		8086385	DARQ-R-A-S17-S12-17	
		8082122	DARQ-R-A-S17-S11-17	
		8082148	DARQ-R-A-S17-S11-17-P50	
		8096914	DARQ-R-A-S17-S9-17	
		8082134	DARQ-R-A-S17-S11-17-P5	
		8082135	DARQ-R-A-S17-S14-17-P5	
		8082143	DARQ-R-A-S17-S14-17-P10	
		8086389	DARQ-R-A-S17-S12-17-P5	
		8082123	DARQ-R-A-S17-S14-17	
	22 mm	8086386	DARQ-R-A-S22-S11-22	
		8082149	DARQ-R-A-S22-S17-22-P50	
		8082144	DARQ-R-A-S22-S17-22-P10	
		8082126	DARQ-R-A-S22-S17-22	
		8082125	DARQ-R-A-S22-S16-22	
		8082136	DARQ-R-A-S22-S14-22-P5	
		8082137	DARQ-R-A-S22-S17-22-P5	
	27 mm	8082127	DARQ-R-A-S27-S22-27	
		8082138	DARQ-R-A-S27-S22-27-P5	
		8086387	DARQ-R-A-S27-S17-27	
	36 mm	8082139	DARQ-R-A-S36-S27-36-P5	
		8082128	DARQ-R-A-S36-S27-36	
		8096913	DARQ-R-A-S27-S14-27	
		8096915	DARQ-R-A-S36-S22-36	
	46 mm	8082129	DARQ-R-A-S46-S36-46	

Accessories

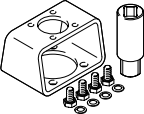
Mounting kit DARQ			
	Product weight	Part no.	Type
	232 g	8088299	DARQ-K-V-F04S11-F03S9-R1
	255 g	8088301	DARQ-K-V-F05S14-F03S9-R1
	342 g	8088297	DARQ-K-V-F05S14-F04S11-R1
	563 g	8088302	DARQ-K-V-F07S17-F04S11-R1
	771 g	8088303	DARQ-K-V-F07S17-F05S14-R1
	1,515 g	8088300	DARQ-K-V-F10S22-F05S14-R1
	2,010 g	8088298	DARQ-K-V-F10S22-F07S17-R1

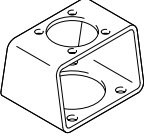
Mounting flange adapter DARQ			
	Product weight	Part no.	Type
	120 g	8087462	DARQ-B-F0405-F0304-R1
	300 g	8087463	DARQ-B-F0507-F0405-R1
	950 g	8087464	DARQ-B-F1012-F10-R1
	1,610 g	8087465	DARQ-B-F0710-F0507-R1

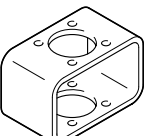
Mounting kit DARQ-K-V-...R13			
	Product weight	Part no.	Type
	392 g	8084186	DARQ-K-V-F03S9-F03S9-R13
	410 g	8084187	DARQ-K-V-F04S11-F03S9-R13
	480 g	8084188	DARQ-K-V-F04S11-F04S11-R13
	630 g	8084189	DARQ-K-V-F05S14-F03S9-R13
	725 g	8084190	DARQ-K-V-F05S14-F04S11-R13
	823 g	8084192	DARQ-K-V-F07S17-F04S11-R13
	830 g	8084191	DARQ-K-V-F05S14-F05S14-R13
	866 g	8132814	DARQ-K-V-F07S17-F03S9-R13
	926 g	8084193	DARQ-K-V-F07S17-F05S14-R13
	980 g	8084194	DARQ-K-V-F07S17-F07S14-R13
	986 g	8084195	DARQ-K-V-F07S22-F05S11-R13
	1,410 g	8133487	DARQ-K-V-F10S22-F04S11-R13
	1,432 g	8084196	DARQ-K-V-F10S22-F05S14-R13
	1,935 g	8084199	DARQ-K-V-F10S27-F05S14-R13
	2,045 g	8084197	DARQ-K-V-F10S22-F07S17-R13
	2,113 g	8084198	DARQ-K-V-F10S22-F10S22-R13
	2,116 g	8084200	DARQ-K-V-F10S27-F07S17-R13
	2,134 g	8086439	DARQ-K-V-F10S27-F07S14-R13
	2,615 g	8084201	DARQ-K-V-F12S27-F07S17-R13
	2,655 g	8131545	DARQ-K-V-F12S27-F07S14-R13
	2,728 g	8133486	DARQ-K-V-F12S27-F05S14-R13
	2,753 g	8084202	DARQ-K-V-F12S27-F10S22-R13
3,552 g	8084203	DARQ-K-V-F12S27-F12S27-R13	

Mounting kit DARQ-K-Z-...R13			
	Product weight	Part no.	Type
	385 g	8085017	DARQ-K-Z-F03S9-F03S9-R13
	400 g	8085016	DARQ-K-Z-F04S11-F03S9-R13
	465 g	8085018	DARQ-K-Z-F04S11-F04S11-R13
	620 g	8085019	DARQ-K-Z-F05S14-F03S9-R13
	710 g	8085020	DARQ-K-Z-F05S14-F04S11-R13
	795 g	8085021	DARQ-K-Z-F05S14-F05S14-R13
	810 g	8085022	DARQ-K-Z-F07S17-F04S11-R13
	890 g	8085023	DARQ-K-Z-F07S17-F05S14-R13
	945 g	8085024	DARQ-K-Z-F07S17-F07S14-R13

Accessories

Mounting kit DARQ-K-Z...R13			
	Product weight	Part no.	Type
	1,396 g	8085026	DARQ-K-Z-F10S22-F05S14-R13
	1,970 g	8085027	DARQ-K-Z-F10S22-F07S17-R13
	1,980 g	8085025	DARQ-K-Z-F10S22-F10S22-R13

Mounting flange adapter DARQ., function drive outlet			
	Product weight	Part no.	Type
	270 g	8082978	DARQ-B-F04-F03-R13
	442 g	8082980	DARQ-B-F05-F03-R13
	461 g	8082981	DARQ-B-F05-F04-R13
	514 g	8082983	DARQ-B-F07-F04-R13
	530 g	8082984	DARQ-B-F07-F05-R13
	836 g	8082986	DARQ-B-F10-F05-R13
	920 g	8082987	DARQ-B-F10-F07-R13
	1,504 g	8082989	DARQ-B-F12-F07-R13
	1,688 g	8082990	DARQ-B-F12-F10-R13
	1,775 g	8082992	DARQ-B-F14-F10-R13
	1,889 g	8082993	DARQ-B-F14-F12-R13
	2,305 g	8083005	DARQ-B-F05-F04-R13-P5
	2,648 g	8082995	DARQ-B-F16-F12-R13
	2,650 g	8083007	DARQ-B-F07-F05-R13-P5
	2,792 g	8082996	DARQ-B-F16-F14-R13
	4,600 g	8083009	DARQ-B-F10-F07-R13-P5
	14,734 g	8082998	DARQ-B-F25-F14-R13
	15,384 g	8082999	DARQ-B-F25-F16-R13
16,740 g	8083001	DARQ-B-F30-F16-R13	
20,250 g	8083002	DARQ-B-F30-F25-R13	

Mounting flange adapter DARQ., function reducing outlet			
	Product weight	Part no.	Type
	260 g	8082977	DARQ-B-F03-F03-R13
	275 g	8082979	DARQ-B-F04-F04-R13
	478 g	8082982	DARQ-B-F05-F05-R13
	583 g	8082985	DARQ-B-F07-F07-R13
	1,037 g	8082988	DARQ-B-F10-F10-R13
	1,375 g	8083004	DARQ-B-F04-F04-R13-P5
	1,802 g	8082991	DARQ-B-F12-F12-R13
	1,976 g	8082994	DARQ-B-F14-F14-R13
	2,390 g	8083006	DARQ-B-F05-F05-R13-P5
	2,844 g	8082997	DARQ-B-F16-F16-R13
	2,915 g	8083008	DARQ-B-F07-F07-R13-P5
	5,185 g	8083010	DARQ-B-F10-F10-R13-P5
	18,895 g	8083000	DARQ-B-F25-F25-R13
	21,644 g	8083003	DARQ-B-F30-F30-R13