

## Data sheet

## Plug socket with cable KME

- Plug socket with cable for valves with E solenoid coils
- Pre-assembled
- Cable lengths 2.5 to 10 m



## General technical data

Electrical connection 1	Angled socket, square design, 3-pin, type C	
Electrical connection 2	Open end, 2-wire	
Switching position indication	Yellow LED	
Protective earth connection	Not provided	
Nominal operating voltage	[V DC]	24
Current rating	[A]	4
Cable composition	[mm <sup>2</sup> ]	2x0.75
Cable diameter	[mm]	5.2
Cable diameter tolerance	[mm]	±0.1
Min. cable bending radius	[mm]	52
Cable characteristic	For static applications	
Type of mounting	On solenoid valve with M3 central screw	
Mounting position	Any	
Degree of protection	IP67 to IEC 60529	

## Materials

Housing	TPE-U(PU)	
Seals	NBR	
Pin contact	Bronze	
Cable sheath	PVC	
PWIS conformity	VDMA24364-B2-L	

## Operating and environmental conditions

Ambient temperature	[°C]	-20 ... +80
Corrosion resistance class CRC <sup>1)</sup>	1	
CE marking (see declaration of conformity) <sup>2)</sup>	To EU RoHS Directive	
UKCA marking (see declaration of conformity) <sup>2)</sup>	To UK RoHS regulations	

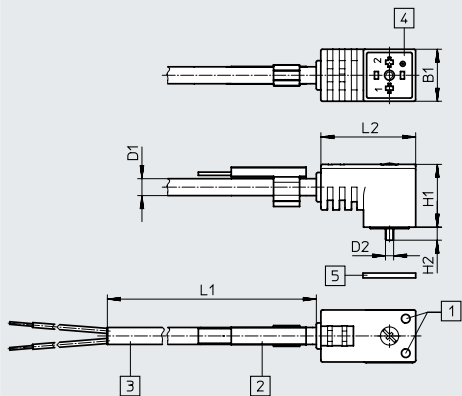
1) More information: [www.festo.com/x/topic/kbk](http://www.festo.com/x/topic/kbk)

2) More information: [www.festo.com/catalogue/...](http://www.festo.com/catalogue/...) → Support/Downloads.

Data sheet

Dimensions

Download CAD data → [www.festo.com](http://www.festo.com)



- [1] LED illuminated area
- [2] Inscription label holder ASCF with label ASLR-L-423 (scope of delivery)
- [3] 2-wire cable (2x 0.75 mm<sup>2</sup>)
- [4] Plug pattern type C
- [5] Seal

Type	B1	D1	D2	H1	H2	L1	L2
KME-1-24-2.5-LED	16	5.2	M3	19.3	4	2500	29.1
KME-1-24-5-LED						5000	
KME-1-24-10-LED						10000	

Ordering data

Electrical connection 1	Cable length [m]	Product weight [g]	Part no.	Type
Angled socket, square design, 3-pin, type C	2.5	135	<b>30943</b>	<b>KME-1-24-2.5-LED</b>
	5	280	<b>30945</b>	<b>KME-1-24-5-LED</b>
	10	570	<b>193455</b>	<b>KME-1-24-10-LED</b>