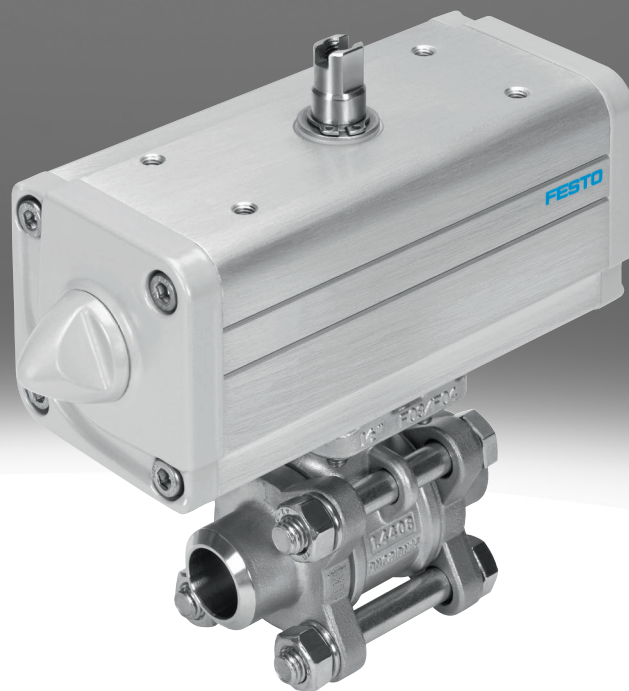


## Ball valve actuator unit VZBA

**FESTO**



## Characteristics

### At a glance

- Electric or pneumatic actuation
- Flange hole pattern according to ISO 5211
- Connection pattern to NAMUR VDI/VDE 3845
- Corrosion-resistant and acid-resistant versions
- Versions with ATEX certification
- Combination of a pneumatic quarter-turn actuator and a ball valve
- The flow is fully opened or closed in both directions
- Sensor boxes or limit switches for sensing the end positions can be mounted directly on the actuator unit

### Design type

- 2-way ball valve actuator units made of stainless steel or brass with pipe thread or with weld ends
- 2-way ball valve actuator units made of stainless steel in compact design
- 3-way ball valve actuator units made of stainless steel or brass

## Type code

<b>001</b>	Series	
<b>VZBA</b>	Ball valve	
<b>002</b>	Nominal diameter DN	
<b>1/4</b>	1/4"	
<b>3/8</b>	3/8"	
<b>1/2</b>	1/2"	
<b>3/4</b>	3/4"	
<b>1</b>	1"	
<b>1 1/4</b>	1 1/4"	
<b>1 1/2</b>	1 1/2"	
<b>2</b>	2"	
<b>2 1/2</b>	2 1/2"	
<b>3</b>	3"	
<b>4</b>	4"	
<b>003</b>	Process valve connection type 1	
<b>G</b>	Rp female thread	
<b>W</b>	Suitable for welding	
<b>004</b>	Process valve connection type 2	
<b>G</b>	G female thread	
<b>W</b>	Suitable for welding	
<b>005</b>	Process valve connection type 3	
	None	
<b>G</b>	G female thread	
<b>006</b>	Nominal pressure [bar]	
<b>63</b>	63	
<b>007</b>	Design type	
	Standard	
<b>T</b>	Three-part	
<b>008</b>	Valve function	
<b>22</b>	2/2-way	
<b>32L</b>	3/2-way, L-bore	
<b>32T</b>	3/2-way, T-bore	

<b>009</b>	Flanged connection	
<b>F0304</b>	Hole pattern 03 and 04	
<b>F0405</b>	Hole pattern 04 and 05	
<b>F0507</b>	Hole pattern 05 and 07	
<b>F0710</b>	Hole pattern 07 and 10	
<b>F10</b>	Hole pattern 10	
<b>010</b>	Housing material	
<b>V4</b>	Stainless steel (chrome-nickel-molybdenum, austenitic/1.4401, 1.4404 (AISI 316L), 1.4408)	
<b>011</b>	Shut-off element material	
<b>V4</b>	Stainless steel (chrome-nickel-molybdenum, austenitic/1.4401, 1.4404 (AISI 316L), 1.4408)	
<b>012</b>	Sealant	
<b>T</b>	PTFE	
<b>013</b>	Drive	
<b>PP</b>	DAPS, double-acting	
<b>PS</b>	DAPS, single-acting	
<b>014</b>	Torque [Nm]	
<b>15</b>	15	
<b>30</b>	30	
<b>53</b>	53	
<b>60</b>	60	
<b>90</b>	90	
<b>106</b>	106	
<b>120</b>	120	
<b>180</b>	180	
<b>240</b>	240	
<b>015</b>	Swivel direction	
<b>R</b>	Right	
<b>016</b>	Nominal swivel angle [°]	
<b>90</b>	90	
<b>017</b>	Spring ID	
	None	
<b>4</b>	4	
<b>018</b>	End-position adjustment	
<b>C</b>	Closed	

## Datasheet

**General technical data, 2-way**

Nominal size DN	8	10	15	20	25	32	40	50	65	80	100
Type of mounting	In-line installation										
Mounting position	optional										
Design	2-way ball valve, Semi-rotary drive										
Type of actuation	Pneumatic										
Switching position indicator	Slot direction = flow direction										
Nominal pressure PN	63										
Flow rate Kv	7 m <sup>3</sup> /h	10 m <sup>3</sup> /h	19.4 m <sup>3</sup> /h	45.6 m <sup>3</sup> /h	71.5 m <sup>3</sup> /h	105 m <sup>3</sup> /h	170 m <sup>3</sup> /h	275 m <sup>3</sup> /h	507 m <sup>3</sup> /h	905 m <sup>3</sup> /h	1,414 m <sup>3</sup> /h

**Operating and environmental conditions, 2-way**

Operating medium	Compressed air to ISO 8573-1:2010 [7:4:4]
Operating pressure	6 ... 8.4 bar
Ambient temperature	-10 ... 80°C
Media temperature <sup>1)</sup>	-10 ... 200°C
Medium	Compressed air to ISO 8573-1:2010 [:-:-], Inert gases, Water – no water vapour, Neutral fluids
Note on operating and pilot medium	Lubricated operation possible (in which case lubricated operation will always be required)
Corrosion resistance class CRC <sup>2)</sup>	3 - High corrosion stress, 3 - high corrosion stress

1) As a function of operating pressure

2) Corrosion resistance class CRC 3 to Festo standard FN 940070 High corrosion stress. Outdoor exposure under moderate corrosive conditions. External visible parts with primarily functional surface requirements that are in direct contact with a normal industrial atmosphere.

**ATEX, 2-way**

Max. surface temperature assembly	TX
explosion group assembly	IIC, IIIC
Explosion ambient temperature	-10°C ≤ Ta ≤ +60°C

**Materials, 2-way**

Material housing	High-alloy stainless steel
Material ball	High-alloy stainless steel
Material shaft	High-alloy stainless steel
Material seals	PTFE, PTFE reinforced
Note on materials	RoHS-compliant

**General technical data, 3-way**

Nominal size DN	8	10	15	20	25	32	40	50
Type of mounting	In-line installation							
Mounting position	optional							
Design	3-way ball valve, L-hole, T-hole							
Type of actuation	Pneumatic							
Switching position indicator	Slot direction = flow direction							
Nominal pressure PN	63							

## Datasheet

### Operating and environmental conditions, 3-way

Operating medium	Compressed air to ISO 8573-1:2010 [7:4:4]
Operating pressure	6 ... 8.4 bar
Ambient temperature	-10 ... 80°C
Media temperature <sup>1)</sup>	-10 ... 200°C
Medium	Compressed air to ISO 8573-1:2010 [:-:-], Inert gases, Water – no water vapour, Neutral fluids
Note on operating and pilot medium	Lubricated operation possible (in which case lubricated operation will always be required)
Corrosion resistance class CRC <sup>2)</sup>	3 - High corrosion stress, 3 - high corrosion stress

1) As a function of operating pressure

2) Corrosion resistance class CRC 3 to Festo standard FN 940070 High corrosion stress. Outdoor exposure under moderate corrosive conditions. External visible parts with primarily functional surface requirements that are in direct contact with a normal industrial atmosphere.

### ATEX, 3-way

Max. surface temperature assembly	TX
explosion group assembly	IIC, IIIC
Explosion ambient temperature	-10°C ≤ Ta ≤ +60°C

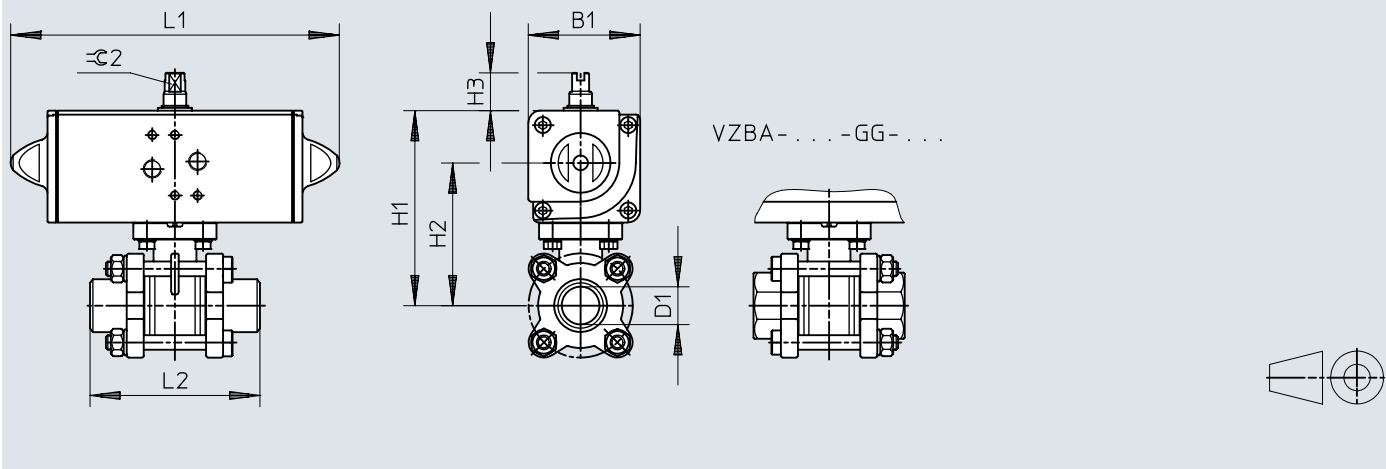
### Materials, 3-way

Material housing	High-alloy stainless steel
Material number housing	1.4408
Material ball	High-alloy stainless steel
Material shaft	High-alloy stainless steel
Material number shaft	1.4401
Material seals	PTFE, PTFE reinforced
Note on materials	RoHS-compliant

## Dimensions

Dimensions – 2-way, stainless steel, DAPS, double-acting

Download CAD data [www.festo.com](http://www.festo.com)

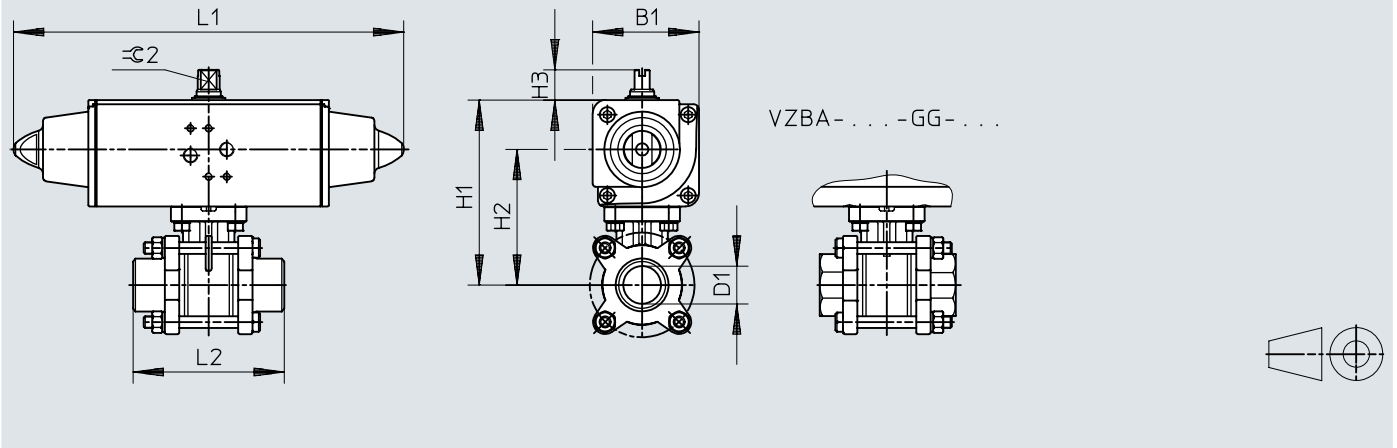


	B1	D1 ø	H1	H2	H3	L1	L2	≈ 2
VZBA-1/4"-WW-63-T-22-F0304-V4V4T-PP15-R-90-C	52,2	10	92,2	68	20	159	70	8
VZBA-3/8"-WW-63-T-22-F0304-V4V4T-PP15-R-90-C	52,2	12	92,2	68	20	159	70	8
VZBA-1/2"-WW-63-T-22-F0304-V4V4T-PP15-R-90-C	52,2	16	92,2	68	20	159	75	8
VZBA-3/4"-WW-63-T-22-F0304-V4V4T-PP30-R-90-C	59,2	20	103,2	75,5	20	174	90	9
VZBA-1"-WW-63-T-22-F0405-V4V4T-PP30-R-90-C	59,2	25	111,2	83,5	20	174	100	9
VZBA-1 1/4"-WW-63-T-22-F0405-V4V4T-PP60-R-90-C	70,4	32	128,4	95,7	20	198	110	10
VZBA-1 1/2"-WW-63-T-22-F0507-V4V4T-PP60-R-90-C	70,4	38	138,4	105,7	20	198	125	10
VZBA-2"-WW-63-T-22-F0507-V4V4T-PP60-R-90-C	70,4	50	147,7	114,7	20	198	150	10
VZBA-2 1/2"-WW-63-T-22-F0710-V4V4T-PP106-R-90-C	83,3	65	181,3	142,8	20	237,1	190	12
VZBA-3"-WW-63-T-22-F0710-V4V4T-PP180-R-90-C	107,5	80	217,5	166,5	30	289,9	220	15
VZBA-4"-WW-63-T-22-F10-V4V4T-PP240-R-90-C	111,1	100	249,1	198,1	30	313,6	270	15

	B1	D1 ø	H1	H2	H3	L1	L2	≈ 2
VZBA-1/4"-GG-63-T-22-F0304-V4V4T-PP15-R-90-C	52,2	10	99,2	68	20	159	65	8
VZBA-3/8"-GG-63-T-22-F0304-V4V4T-PP15-R-90-C	52,2	12	99,2	68	20	159	65	8
VZBA-1/2"-GG-63-T-22-F0304-V4V4T-PP15-R-90-C	52,2	16	99,2	68	20	159	75	8
VZBA-3/4"-GG-63-T-22-F0304-V4V4T-PP30-R-90-C	59,2	20	103,2	75,5	20	174	80	9
VZBA-1"-GG-63-T-22-F0405-V4V4T-PP30-R-90-C	59,2	25	111,2	83,5	20	174	90	9
VZBA-1 1/4"-GG-63-T-22-F0405-V4V4T-PP60-R-90-C	70,4	32	128,4	95,7	20	198	110	10
VZBA-1 1/2"-GG-63-T-22-F0507-V4V4T-PP60-R-90-C	70,4	38	138,4	105,7	20	198	120	10
VZBA-2"-GG-63-T-22-F0507-V4V4T-PP60-R-90-C	70,4	50	147,7	114,7	20	198	140	10
VZBA-2 1/2"-GG-63-T-22-F0710-V4V4T-PP106-R-90-C	83,3	65	181,3	142,8	20	237,1	185	12
VZBA-3"-GG-63-T-22-F0710-V4V4T-PP180-R-90-C	107,5	80	217,5	166,5	30	289,9	205	15
VZBA-4"-GG-63-T-22-F10-V4V4T-PP240-R-90-C	111,1	100	249,1	198,1	30	313,6	240	15

## Dimensions

Dimensions – 2-way, stainless steel, DAPS, single-acting

Download CAD data [www.festo.com](http://www.festo.com)

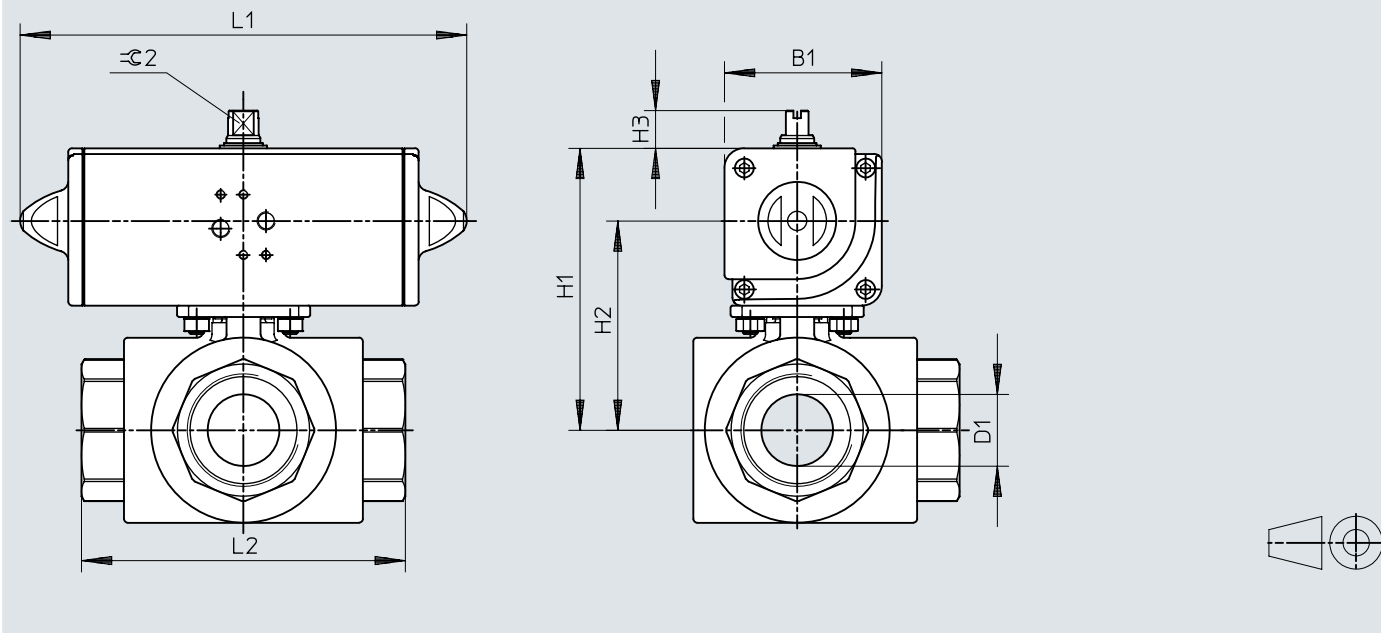
	B1	D1 ø	H1	H2	H3	L1	L2	±0.2
VZBA-1/4"-WW-63-T-22-F0304-V4V4T-PS15-R-90-4-C	59,2	10	99,2	71,5	20	233,3	70	9
VZBA-3/8"-WW-63-T-22-F0304-V4V4T-PS15-R-90-4-C	59,2	12	99,2	71,5	20	233,3	70	9
VZBA-1/2"-WW-63-T-22-F0304-V4V4T-PS15-R-90-4-C	59,2	16	99,2	71,5	20	233,3	75	9
VZBA-3/4"-WW-63-T-22-F0304-V4V4T-PS30-R-90-4-C	70,4	20	114,4	81,7	20	259	90	10
VZBA-1"-WW-63-T-22-F0405-V4V4T-PS30-R-90-4-C	70,4	25	122,4	89,7	20	259	100	10
VZBA-1 1/4"-WW-63-T-22-F0405-V4V4T-PS53-R-90-4-C	83,3	32	141,3	102,8	20	304,3	110	12
VZBA-1 1/2"-WW-63-T-22-F0507-V4V4T-PS53-R-90-4-C	83,3	38	151,3	112,8	20	304,3	125	12
VZBA-2"-WW-63-T-22-F0507-V4V4T-PS90-R-90-4-C	107,5	50	184,5	133,5	30	393,7	150	15
VZBA-2 1/2"-WW-63-T-22-F0710-V4V4T-PS120-R-90-4-C	111,1	65	209,1	158,1	30	409,6	190	15
VZBA-3"-WW-63-T-22-F0710-V4V4T-PS180-R-90-4-C	118	80	228	172	30	474	220	19
VZBA-4"-WW-63-T-22-F10-V4V4T-PS240-R-90-4-C	134,9	100	272,9	210,9	30	520,5	270	19

	B1	D1 ø	H1	H2	H3	L1	L2	±0.2
VZBA-1/4"-GG-63-T-22-F0304-V4V4T-PS15-R-90-4-C	59,2	10	99,2	71,5	20	233,3	65	9
VZBA-3/8"-GG-63-T-22-F0304-V4V4T-PS15-R-90-4-C	59,2	12	99,2	71,5	20	233,3	65	9
VZBA-1/2"-GG-63-T-22-F0304-V4V4T-PS15-R-90-4-C	59,2	16	99,2	71,5	20	233,3	75	9
VZBA-3/4"-GG-63-T-22-F0304-V4V4T-PS30-R-90-4-C	70,4	20	114,4	81,7	20	259	80	10
VZBA-1"-GG-63-T-22-F0405-V4V4T-PS30-R-90-4-C	70,4	25	122,4	89,7	20	259	90	10
VZBA-1 1/4"-GG-63-T-22-F0405-V4V4T-PS53-R-90-4-C	83,3	32	141,3	102,8	20	304,3	110	12
VZBA-1 1/2"-GG-63-T-22-F0507-V4V4T-PS53-R-90-4-C	83,3	38	151,3	112,8	20	304,3	120	12
VZBA-2"-GG-63-T-22-F0507-V4V4T-PS90-R-90-4-C	107,5	50	184,5	133,5	30	393,7	140	15
VZBA-2 1/2"-GG-63-T-22-F0710-V4V4T-PS120-R-90-4-C	111,1	65	209,1	158,1	30	409,6	185	15
VZBA-3"-GG-63-T-22-F0710-V4V4T-PS180-R-90-4-C	118	80	228	172	30	474	205	19
VZBA-4"-GG-63-T-22-F10-V4V4T-PS240-R-90-4-C	134,9	100	272,9	210,9	30	520,5	240	19

## Dimensions

Dimensions – 3-way, stainless steel, DAPS, double-acting

Download CAD data [www.festo.com](http://www.festo.com)



	B1	D1 ∅	H1	H2	H3	L1	L2	±0.2
VZBA-1/4"-GGG-63-32L-F0304-V4V4T-PP30-R-90-C	59,2	11,6	95,1	67,4	20	174	80	9
VZBA-1/4"-GGG-63-32T-F0304-V4V4T-PP30-R-90-C	59,2	12,7	95,1	67,4	20	174	80	9
VZBA-3/8"-GGG-63-32L-F0304-V4V4T-PP30-R-90-C	59,2	12,7	95,1	67,4	20	174	80	9
VZBA-3/8"-GGG-63-32T-F0304-V4V4T-PP30-R-90-C	59,2	12,7	95,1	67,4	20	174	80	9
VZBA-1/2"-GGG-63-32L-F0304-V4V4T-PP30-R-90-C	59,2	12,7	95,1	67,4	20	174	80	9
VZBA-1/2"-GGG-63-32T-F0304-V4V4T-PP30-R-90-C	59,2	12,7	95,1	67,4	20	174	80	9
VZBA-3/4"-GGG-63-32L-F0405-V4V4T-PP30-R-90-C	59,2	16	100,1	72,4	20	174	87,5	9
VZBA-3/4"-GGG-63-32T-F0405-V4V4T-PP30-R-90-C	59,2	16	100,1	72,4	20	174	87,5	9
VZBA-1"-GGG-63-32L-F0405-V4V4T-PP30-R-90-C	59,2	20	104,35	76,65	20	174	100	9
VZBA-1"-GGG-63-32T-F0405-V4V4T-PP30-R-90-C	59,2	20	104,35	76,65	20	174	100	9
VZBA-1 1/4"-GGG-63-32L-F0405-V4V4T-PP60-R-90-C	70,4	25,4	121,4	88,7	20	198	123	10
VZBA-1 1/4"-GGG-63-32T-F0405-V4V4T-PP60-R-90-C	70,4	25,4	121,4	88,7	20	198	123	10
VZBA-1 1/2"-GGG-63-32L-F0405-V4V4T-PP60-R-90-C	70,4	31,8	125,9	93,2	20	198	142,2	10
VZBA-1 1/2"-GGG-63-32T-F0405-V4V4T-PP60-R-90-C	70,4	31,8	125,9	93,2	20	198	142,2	10
VZBA-2"-GGG-63-32L-F0507-V4V4T-PP106-R-90-C	83,3	38,1	149,3	110,8	20	237,1	170,6	12
VZBA-2"-GGG-63-32T-F0507-V4V4T-PP106-R-90-C	83,3	38,1	149,3	110,8	20	237,1	170,6	12

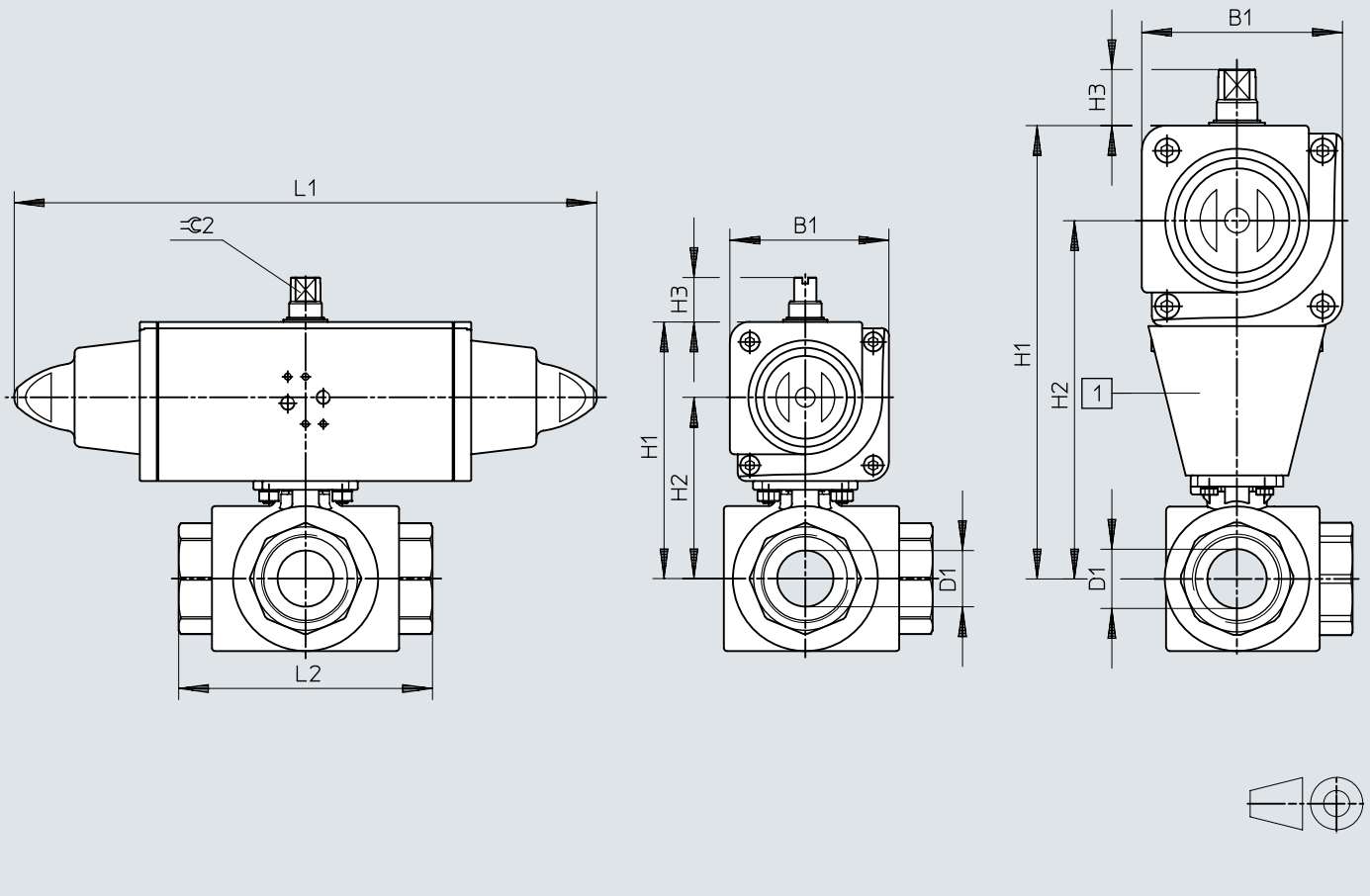


## Dimensions

Dimensions – 3-way, stainless steel, DAPS, single-acting


Download CAD data [www.festo.com](http://www.festo.com)

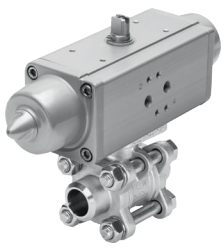
VZBA - 1 1/2" - . . .



	B1	D1 ø	H1	H2	H3	L1	L2	⊖ 2
VZBA-1/4"-GGG-63-32L-F0304-V4V4T-PS30-R-90-4-C	70,4	11,6	106,3	73,6	20	259	80	10
VZBA-1/4"-GGG-63-32T-F0304-V4V4T-PS30-R-90-4-C	70,4	12,7	106,3	73,6	20	259	80	10
VZBA-3/8"-GGG-63-32L-F0304-V4V4T-PS30-R-90-4-C	70,4	12,7	106,3	73,6	20	259	80	10
VZBA-3/8"-GGG-63-32T-F0304-V4V4T-PS30-R-90-4-C	70,4	16	111,3	78,6	20	259	87,5	10
VZBA-1/2"-GGG-63-32L-F0304-V4V4T-PS30-R-90-4-C	70,4	20	115,55	82,85	20	259	100	10
VZBA-1/2"-GGG-63-32T-F0304-V4V4T-PS30-R-90-4-C	70,4	25,4	134,3	95,8	20	304,3	123	12
VZBA-3/4"-GGG-63-32L-F0405-V4V4T-PS30-R-90-4-C	83,3	31,8	243	192	30	393,7	142,2	15
VZBA-3/4"-GGG-63-32T-F0405-V4V4T-PS30-R-90-4-C	107,5	38,1	173,5	122,5	30	393,7	170,6	15
VZBA-1 1/4"-GGG-63-32L-F0405-V4V4T-PS53-R-90-4-C	107,5							
VZBA-1 1/4"-GGG-63-32T-F0405-V4V4T-PS53-R-90-4-C								
VZBA-1 1/2"-GGG-63-32L-F0405-V4V4T-PS90-R-90-4-C								
VZBA-1 1/2"-GGG-63-32T-F0405-V4V4T-PS90-R-90-4-C								
VZBA-2"-GGG-63-32L-F0507-V4V4T-PS90-R-90-4-C								
VZBA-2"-GGG-63-32T-F0507-V4V4T-PS90-R-90-4-C								


## Ordering data

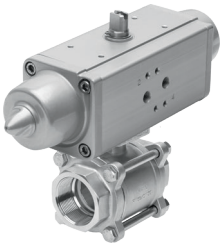
DAPS double-acting with welded ends, 2-way			
	Nominal size DN	Part no.	Type
	8	1810730	VZBA-1/4"-WW-63-T-22-F0304-V4V4T-PP15-R-90-C
	10	1810731	VZBA-3/8"-WW-63-T-22-F0304-V4V4T-PP15-R-90-C
	15	1810732	VZBA-1/2"-WW-63-T-22-F0304-V4V4T-PP15-R-90-C
	20	1810733	VZBA-3/4"-WW-63-T-22-F0304-V4V4T-PP30-R-90-C
	25	1810734	VZBA-1"-WW-63-T-22-F0405-V4V4T-PP30-R-90-C
	32	1810735	VZBA-1 1/4"-WW-63-T-22-F0405-V4V4T-PP60-R-90-C
	40	1810736	VZBA-1 1/2"-WW-63-T-22-F0507-V4V4T-PP60-R-90-C
	50	1810737	VZBA-2"-WW-63-T-22-F0507-V4V4T-PP60-R-90-C
	65	1810738	VZBA-2 1/2"-WW-63-T-22-F0710-V4V4T-PP106-R-90-C
	80	1810739	VZBA-3"-WW-63-T-22-F0710-V4V4T-PP180-R-90-C
	100	1810740	VZBA-4"-WW-63-T-22-F10-V4V4T-PP240-R-90-C


	Nominal size DN	Part no.	Type
	8	1774103	VZBA-1/4"-WW-63-T-22-F0304-V4V4T-PS15-R-90-4-C
	10	1774104	VZBA-3/8"-WW-63-T-22-F0304-V4V4T-PS15-R-90-4-C
	15	1774105	VZBA-1/2"-WW-63-T-22-F0304-V4V4T-PS15-R-90-4-C
	20	1774106	VZBA-3/4"-WW-63-T-22-F0304-V4V4T-PS30-R-90-4-C
	25	1774107	VZBA-1"-WW-63-T-22-F0405-V4V4T-PS30-R-90-4-C
	32	1774108	VZBA-1 1/4"-WW-63-T-22-F0405-V4V4T-PS53-R-90-4-C
	40	1774109	VZBA-1 1/2"-WW-63-T-22-F0507-V4V4T-PS53-R-90-4-C
	50	1774110	VZBA-2"-WW-63-T-22-F0507-V4V4T-PS90-R-90-4-C
	65	1774111	VZBA-2 1/2"-WW-63-T-22-F0710-V4V4T-PS120-R-90-4-C
	80	1774112	VZBA-3"-WW-63-T-22-F0710-V4V4T-PS180-R-90-4-C
	100	1774113	VZBA-4"-WW-63-T-22-F10-V4V4T-PS240-R-90-4-C

DAPS double-acting, 2-way			
	Connection Process valve	Part no.	Type
	Rp1	1809655	VZBA-1"-GG-63-T-22-F0405-V4V4T-PP30-R-90-C

## Ordering data


DAPS double-acting, 2-way				
	Connection Process valve	Part no.	Type	
	Rp1 1/2	1809657	VZBA-11/2"-GG-63-T-22-F0507-V4V4T-PP60-R-90-C	
	Rp1 1/4	1809656	VZBA-11/4"-GG-63-T-22-F0405-V4V4T-PP60-R-90-C	
	Rp1/2	1809653	VZBA-1/2"-GG-63-T-22-F0304-V4V4T-PP15-R-90-C	
	Rp1/4	1809651	VZBA-1/4"-GG-63-T-22-F0304-V4V4T-PP15-R-90-C	
	Rp2	1809658	VZBA-2"-GG-63-T-22-F0507-V4V4T-PP60-R-90-C	
	Rp2 1/2	1809659	VZBA-21/2"-GG-63-T-22-F0710-V4V4T-PP106-R-90-C	
	Rp3	1809660	VZBA-3"-GG-63-T-22-F0710-V4V4T-PP180-R-90-C	
	Rp3/4	1809654	VZBA-3/4"-GG-63-T-22-F0304-V4V4T-PP30-R-90-C	
	Rp3/8	1809652	VZBA-3/8"-GG-63-T-22-F0304-V4V4T-PP15-R-90-C	
	Rp4	1809661	VZBA-4"-GG-63-T-22-F10-V4V4T-PP240-R-90-C	

	Connection Process valve	Part no.	Type	
	Rp1	1758073	VZBA-1"-GG-63-T-22-F0405-V4V4T-PS30-R-90-4-C	
	Rp1 1/2	1758075	VZBA-11/2"-GG-63-T-22-F0507-V4V4T-PS53-R-90-4-C	
	Rp1 1/4	1758074	VZBA-11/4"-GG-63-T-22-F0405-V4V4T-PS53-R-90-4-C	
	Rp1/2	1758071	VZBA-1/2"-GG-63-T-22-F0304-V4V4T-PS15-R-90-4-C	
	Rp1/4	1758069	VZBA-1/4"-GG-63-T-22-F0304-V4V4T-PS15-R-90-4-C	
	Rp2	1758076	VZBA-2"-GG-63-T-22-F0507-V4V4T-PS90-R-90-4-C	
	Rp2 1/2	1758077	VZBA-21/2"-GG-63-T-22-F0710-V4V4T-PS120-R-90-4-C	
	Rp3	1758078	VZBA-3"-GG-63-T-22-F0710-V4V4T-PS180-R-90-4-C	
	Rp3/4	1758072	VZBA-3/4"-GG-63-T-22-F0304-V4V4T-PS30-R-90-4-C	
	Rp3/8	1758070	VZBA-3/8"-GG-63-T-22-F0304-V4V4T-PS15-R-90-4-C	
Rp4	1758079	VZBA-4"-GG-63-T-22-F10-V4V4T-PS240-R-90-4-C		

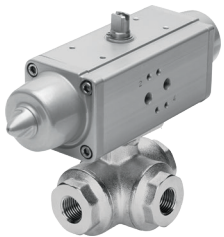
DAPS double-acting, 3-way				
	Connection Process valve	Flow rate Kv L hole	Part no.	Type
	Rp1		1915076	VZBA-1"-GGG-63-32T-F0405-V4V4T-PP30-R-90-C

Ordering data

DAPS double-acting, 3-way

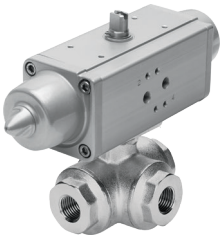


Connection Process valve	Flow rate Kv L hole	Part no.	Type
Rp1 1/2		1915078	VZBA-11/2"-GGG-63-32T-F0405-V4V4T-PP60-R-90-C
	33.2 m³/h	1914791	VZBA-11/2"-GGG-63-32L-F0405-V4V4T-PP60-R-90-C
Rp1 1/4		1915077	VZBA-11/4"-GGG-63-32T-F0405-V4V4T-PP60-R-90-C
Rp3/4	5.1 m³/h	1914788	VZBA-3/4"-GGG-63-32L-F0405-V4V4T-PP30-R-90-C
Rp1 1/4	19.6 m³/h	1914790	VZBA-11/4"-GGG-63-32L-F0405-V4V4T-PP60-R-90-C
Rp1/2		1915074	VZBA-1/2"-GGG-63-32T-F0304-V4V4T-PP30-R-90-C
	4.7 m³/h	1914787	VZBA-1/2"-GGG-63-32L-F0304-V4V4T-PP30-R-90-C
Rp1	11.8 m³/h	1914789	VZBA-1"-GGG-63-32L-F0405-V4V4T-PP30-R-90-C
Rp1/4		1915072	VZBA-1/4"-GGG-63-32T-F0304-V4V4T-PP30-R-90-C
	4.5 m³/h	1914785	VZBA-1/4"-GGG-63-32L-F0304-V4V4T-PP30-R-90-C
Rp2		1915079	VZBA-2"-GGG-63-32T-F0507-V4V4T-PP106-R-90-C
	53.7 m³/h	1914792	VZBA-2"-GGG-63-32L-F0507-V4V4T-PP106-R-90-C
Rp3/4		1915075	VZBA-3/4"-GGG-63-32T-F0405-V4V4T-PP30-R-90-C
Rp3/8		1915073	VZBA-3/8"-GGG-63-32T-F0304-V4V4T-PP30-R-90-C
	4.5 m³/h	1914786	VZBA-3/8"-GGG-63-32L-F0304-V4V4T-PP30-R-90-C

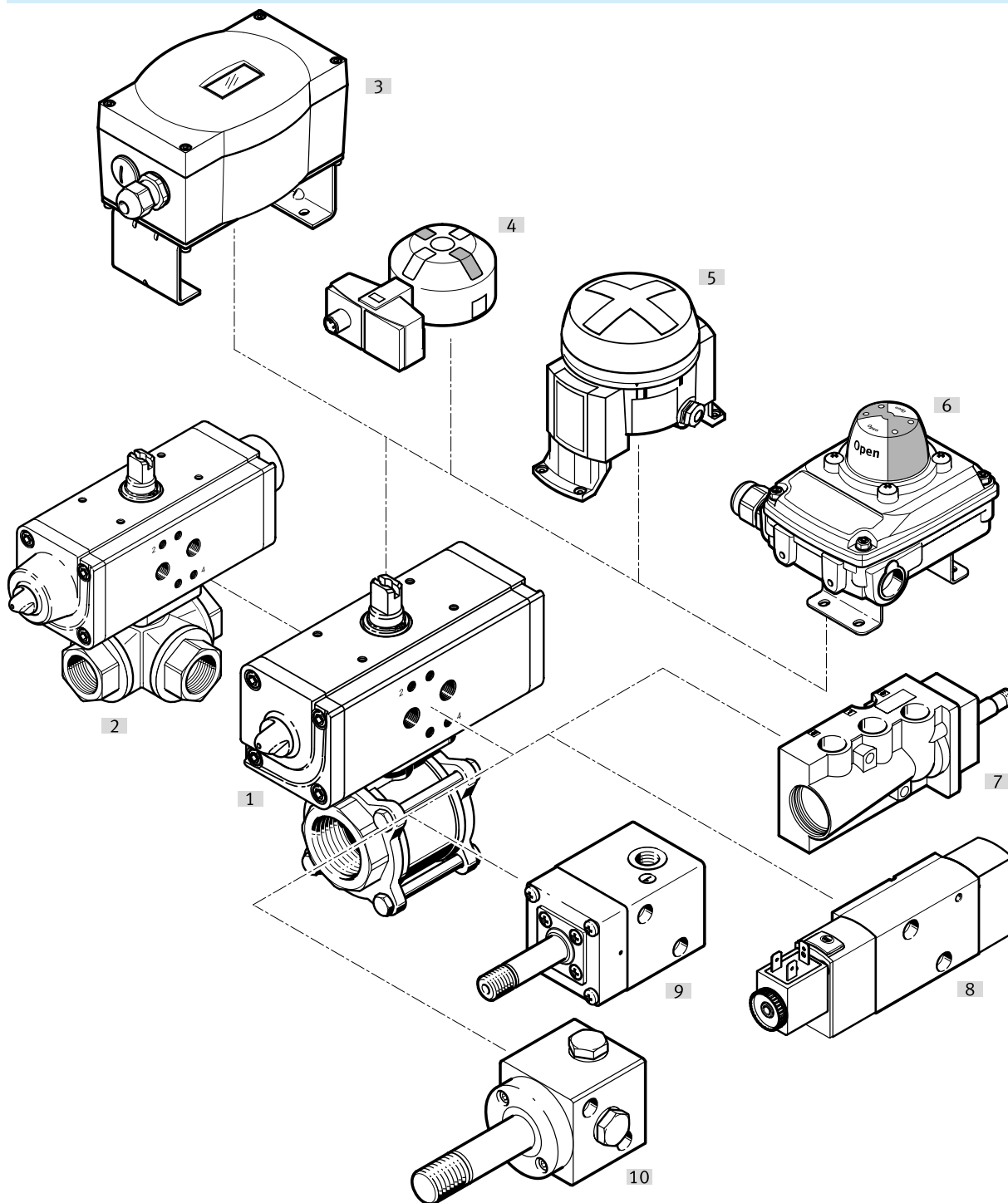


Connection Process valve	Flow rate Kv L hole	Flow rate Kv T hole angled	Flow rate Kv T hole straight	Part no.	Type
Rp1		10.9 m³/h	22.4 m³/h	1915748	VZBA-1"-GGG-63-32T-F0405-V4V4T-PS30-R-90-4-C
	11.8 m³/h			1915547	VZBA-1"-GGG-63-32L-F0405-V4V4T-PS30-R-90-4-C
Rp1 1/2		30 m³/h	62 m³/h	1915750	VZBA-11/2"-GGG-63-32T-F0405-V4V4T-PS90-R-90-4-C
	33.2 m³/h			1915549	VZBA-11/2"-GGG-63-32L-F0405-V4V4T-PS90-R-90-4-C
Rp1 1/4		18 m³/h	36.5 m³/h	1915749	VZBA-11/4"-GGG-63-32T-F0405-V4V4T-PS53-R-90-4-C
	19.6 m³/h			1915548	VZBA-11/4"-GGG-63-32L-F0405-V4V4T-PS53-R-90-4-C
Rp1/2		4.8 m³/h	8.3 m³/h	1915746	VZBA-1/2"-GGG-63-32T-F0304-V4V4T-PS30-R-90-4-C
	4.7 m³/h			1915545	VZBA-1/2"-GGG-63-32L-F0304-V4V4T-PS30-R-90-4-C
Rp1/4		4.5 m³/h	8 m³/h	1915744	VZBA-1/4"-GGG-63-32T-F0304-V4V4T-PS30-R-90-4-C
	4.5 m³/h			1915543	VZBA-1/4"-GGG-63-32L-F0304-V4V4T-PS30-R-90-4-C

## Ordering data

	Connection Process valve	Flow rate Kv L hole	Flow rate Kv T hole angled	Flow rate Kv T hole straight	Part no.	Type
	Rp2		48.8 m <sup>3</sup> /h	100 m <sup>3</sup> /h	1915751	VZBA-2"-GGG-63-32T-F0507-V4V4T-PS90-R-90-4-C
		53.7 m <sup>3</sup> /h			1915550	VZBA-2"-GGG-63-32L-F0507-V4V4T-PS90-R-90-4-C
	Rp3/4		4.8 m <sup>3</sup> /h	8.3 m <sup>3</sup> /h	1915747	VZBA-3/4"-GGG-63-32T-F0405-V4V4T-PS30-R-90-4-C
		5.1 m <sup>3</sup> /h			1915546	VZBA-3/4"-GGG-63-32L-F0405-V4V4T-PS30-R-90-4-C
	Rp3/8		4.5 m <sup>3</sup> /h	8 m <sup>3</sup> /h	1915745	VZBA-3/8"-GGG-63-32T-F0304-V4V4T-PS30-R-90-4-C
		4.5 m <sup>3</sup> /h			1915544	VZBA-3/8"-GGG-63-32L-F0304-V4V4T-PS30-R-90-4-C

Peripherals



Accessories			→ Link
Type/order code	Description		
[1] Ball valve actuator unit VZBA	Combination of double-acting or single-acting quarter-turn actuator DAPS and 2-way ball valve, brass		<a href="#">vzba</a>
[2] Ball valve actuator unit VZBA	Combination of double-acting or single-acting quarter-turn actuator DAPS and 3-way ball valve, brass		<a href="#">vzba</a>
[3] Positioner CMSX	For controlling the position of quarter-turn actuators in process automation systems		<a href="#">cmsx</a>
[4] Sensor boxes SRBG	For electrical feedback and control of the position of process valves actuated by quarter-turn actuators		<a href="#">srbg</a>
[5] Limit switch attachments DAPZ	Round design, variant AR, electrical sensing, inductive or inductive explosion-proof		<a href="#">dapz</a>
[6] Sensor boxes SRBC	For electrical feedback and control of the position of process valves operated by quarter-turn actuators		<a href="#">srbc</a>
[7] Solenoid valve NVF3	For F solenoid coil and explosion-proof F solenoid coil		<a href="#">nvf3</a>
[8] Solenoid valves VSNC	For single-acting and double-acting quarter-turn actuators with a connection pattern VDI/VDE 3845		<a href="#">vsnc</a>
[9] Solenoid valves VOFC	Solenoid valve with solenoid coil, NAMUR connection pattern		<a href="#">vofc</a>

## Peripherals

Accessories		→ Link
Type/order code	Description	
[10] Solenoid valves VOFD	Solenoid valve with solenoid coil, NAMUR connection pattern	<a href="#">vofd</a>