

Proportional-pressure regulator VPPM

FESTO



Characteristics

At a glance

Innovative:

- Multi-sensor control (cascade control)
- Diagnostics
- Choice of control characteristics
- Temperature-compensated
- High dynamic response
- High repetition accuracy
- Modular system processing
- IO-Link® for direct connection to a higher-order IO-Link®/I-Port master

Flexible:

- Individual valves (inline valve)
- Sub-base valves (manifold/flanged valve)
- Various user interfaces: LED displays, LCD display, setting/selection buttons
- Choice of valves with different pressure ranges
- Pressure range can be modified at the valve
- Choice of different setpoint specifications: current input; voltage input

Operationally safe:

- Integrated pressure sensor with separate output
- Cable break monitoring
- Pressure is maintained if the controller fails

Easy to assemble:

- Manifold block (manifold)
- H-rail mounting
- Individually with mounting bracket
- QS fittings

Layout of a control loop (layout):

- The reference variable w (setpoint value e.g. 5 volts or 8 milliamperes) first acts on a comparator. The measuring equipment sends the value of the controlled variable x (actual value e.g. 3 bar) to the comparator as feedback variable r . The control element detects the control difference e and controls the final control element. The output of the final control element acts on the system. The control element thus attempts to compensate for the difference between the reference variable w and the controlled variable x by using the final control element.

Operating principle:

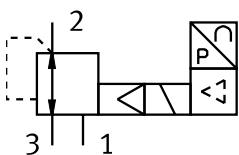
- This process runs continuously so changes in the reference variable are always detected. However, a system deviation will also occur if the reference variable is constant and the controlled variable changes. This happens when there is a change in the flow rate through the valve, caused by a switching operation, a cylinder movement or a load change. The disturbance variable z also causes a control difference, such as, for example, a pressure drop in the air supply. The disturbance variable z has an unintended effect on the controlled variable x . The controller always tries to re-adjust the controlled variable x to the reference variable w .

Multi-sensor control (cascade control) of the VPPM:

- Unlike conventional direct-acting control systems, in multi-sensor control several control loops are nested inside one another. The overall controlled system is thus divided into smaller sections that are easier to control for specific tasks.

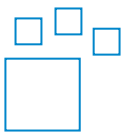
Valve function

[3] 3-way proportional-pressure regulator, closed



Characteristics

Ordering data - modular system



Configurable product

This product and all its product options can be ordered online via the configurator.

Diagrams

[Further information → vppm](#)



The diagrams shown in this document are also available online. These can be used to display precise values.

Type code

001	Series	
VPPM	Proportional pressure regulator, modular	
002	Nominal width [mm]	
6	6	
8	8	
12	12	
003	Directional control valve type	
L	In-line valve	
F	Flanged valve	
T	Flanged valve for valve terminal	
004	Mounting method	
	Standard	
A	Valve terminal MPA	
005	Dynamic response	
L	Low	
006	Valve function	
1	3/2-way valve, normally closed	
007	Pneumatic connection	
F	Flange/sub-base	
G18	G1/8	
G14	G1/4	
G12	G1/2	
008	Lower pressure value of control range	
OL	0 bar	

009	Upper pressure value of control range	
2H	2 bar	
6H	6 bar	
10H	10 bar	
010	Alternative lower pressure regulation range	
...L	0 ... 9 bar	
011	Alternative upper pressure regulation range	
...H	0.2 ... 10 bar	
012	Setpoint input for individual valves	
	For valve terminals/servo-pneumatics	
A4	4 ... 20 mA	
LK	IO-Link®	
V1	0 ... 10 V	
013	Switching input/output	
	None	
N	NPN	
P	PNP	
014	Overall accuracy	
	2%	
S1	1%	
015	Operator unit/interface	
	None	
C1	With LCD, variable pressure unit	

Datasheet

Analogue interface, general technical data

Pneumatic connection, port 1	Sub-base							G1/8			G1/4		G1/2	
Nominal size, supply	6 mm			8 mm				6 mm			8 mm		12 mm	
Nominal size, exhaust	4.5 mm			7 mm				4.5 mm			7 mm		12 mm	
Standard nominal flow rate (standardised to DIN 1343)	380 l/min	900 l/min	1,400 l/min	450 l/min	1,050 l/min	1,650 l/min	1,750 l/min	380 l/min	900 l/min	1,400 l/min	1,750 l/min	2,750 l/min	4,500 l/min	7,000 l/min
Valve function	3-way proportional pressure regulator													
Design	Piloted diaphragm regulator													
Sealing principle	Soft													
Type of actuation	Electric													
Type of piloting	Pilot actuated													
Type of reset	Mechanical spring													
Type of mounting	Either., With through-hole, With accessories													
Mounting position	optional													
Product weight	400 g			560 g				400 g			560 g		2,050 g	

Analogue interface, electrical data

Pneumatic connection, port 1	Sub-base				G1/8		G1/4		G1/2	
Electrical connection	8-pin, M12, Plugs			Via sub-base		8-pin, M12, Plugs				
Operational voltage range DC	21.6 ... 26.4 V									
Residual ripple	10%									
Duty cycle	100%									
Max. electrical power consumption	7 W								12 W	
Setpoint value input	–									
Short circuit current rating	For all electrical connections									
Reverse polarity protection	For all electrical connections									
Degree of protection	IP65									
Signal range analogue input	0 - 10 V		–		0 - 10 V					
	4 - 20 mA				4 - 20 mA					
Signal range analogue output	0 - 10 V		–		0 - 10 V					
	4 - 20 mA				4 - 20 mA					

Datasheet

Analogue interface, operating and environmental conditions			
Pressure regulation range	0.01 ... 1 MPa	0.002 ... 0.2 MPa	0.006 ... 0.6 MPa
Pressure regulation range	0.1 ... 10 bar	0.02 ... 2 bar	0.06 ... 6 bar
Operating medium	Compressed air to ISO 8573-1:2010 [7:4:4] Inert gases		
Note on operating and pilot medium	Lubricated operation not possible		
Inlet pressure 1 ¹⁾	0 ... 1.1 MPa	0 ... 0.4 MPa	0 ... 0.8 MPa
Inlet pressure 1 ²⁾	0 ... 11 bar	0 ... 4 bar	0 ... 8 bar
Max. pressure hysteresis	0.05 bar	0.01 bar	0.03 bar
Hysteresis	0.5 %FS		
Linearity	1 %FS		
Linearity error in ± %FS	–		
Reproducibility	0.5 %FS		
Total accuracy	1.25%FS		
Repetition accuracy FS	0.5%		
Temperature coefficient	0.04 %/K		
Ambient temperature	0 ... 60°C		
Media temperature	10 ... 50°C		
Note on materials	RoHS-compliant		
LABS (PWIS) conformity	VDMA24364-B1/B2-L		
Corrosion resistance class CRC ³⁾	2 - Moderate corrosion stress		
CE mark (see declaration of conformity) ⁴⁾	To EU EMC Directive In accordance with EU RoHS Directive		
CE marking (see declaration of conformity) ⁵⁾	To UK instructions for EMC To UK RoHS instructions		
Approval	RCM trademark c UL us listed (OL)		
Certificate issuing authority	UL E322346		

1) The input pressure 1 should always be 1 bar greater than the maximum regulated outlet pressure.

2) The input pressure 1 should always be 1 bar greater than the maximum regulated outlet pressure.

3) More information www.festo.com/x/topic/crc

4) For information about the area of use, see the declaration of conformity at: www.festo.com/catalogue/...d/Support/Downloads.

If the devices are subject to usage restrictions in residential, commercial or light-industrial environments, further measures for the reduction of the emitted interference may be necessary.

5) For information about the area of use, see the declaration of conformity at: www.festo.com/catalogue/...d/Support/Downloads.

If the devices are subject to usage restrictions in residential, commercial or light-industrial environments, further measures for the reduction of the emitted interference may be necessary.

Analogue interface, materials	
Material housing	Wrought aluminium alloy, Anodised
Material membrane	–

IO-Link® interface, general technical data															
Pneumatic connection, port 1	Sub-base						G1/8			G1/4			G1/2		
Nominal size, supply	6 mm		8 mm				6 mm			8 mm			12 mm		
Nominal size, exhaust	4.5 mm		7 mm				4.5 mm			7 mm			12 mm		
Standard nominal flow rate (standardised to DIN 1343)	380 l/min	900 l/min	1,400 l/min	450 l/min	1,050 l/min	1,650 l/min	380 l/min	900 l/min	1,400 l/min	650 l/min	1,750 l/min	2,750 l/min	1,900 l/min	4,500 l/min	7,000 l/min
Valve function	3-way proportional pressure regulator														
Design	Piloted diaphragm regulator														
Sealing principle	Soft														
Type of actuation	Electric														
Type of piloting	Pilot actuated														
Type of reset	Mechanical spring														
Type of mounting	Either., With through-hole, With accessories														
Mounting position	optional														
Product weight	400 g		560 g				400 g			560 g			2,050 g		
IO-Link, Protocol version	Device V 1.1														
IO-Link, Process data length OUT	2 bytes														
IO-Link, Process data length IN	2 bytes														
IO-Link, communication mode	COM1 (4.8 kB), COM2 (38.4 kB), COM3 (230.4 kB)														
IO-Link, Min. cycle time	0.5 ms														

Datasheet

IO-Link® interface, operating and environmental conditions

Pressure regulation range	0.01 ... 1 MPa	0.002 ... 0.2 MPa	0.006 ... 0.6 MPa
Pressure regulation range	0.1 ... 10 bar	0.02 ... 2 bar	0.06 ... 6 bar
Operating medium	Compressed air to ISO 8573-1:2010 [7:4:4] Inert gases		
Note on operating and pilot medium	Lubricated operation not possible		
Inlet pressure 1	0 ... 1.1 MPa	0 ... 0.4 MPa	0 ... 0.8 MPa
Inlet pressure 1	0 ... 11 bar	0 ... 4 bar	0 ... 8 bar
Max. pressure hysteresis	0.05 bar	0.01 bar	0.03 bar
Hysteresis	0.5 %FS		
Linearity	1 %FS		
Linearity error in ± %FS	–		
Reproducibility	0.5 %FS		
Total accuracy	1.25%FS		
Repetition accuracy FS	0.5%		
Temperature coefficient	0.04 %/K		
Ambient temperature	0 ... 60°C		
Media temperature	10 ... 50°C		
Note on materials	RoHS-compliant		
LABS (PWIS) conformity	VDMA24364-B1/B2-L		
Corrosion resistance class CRC ¹⁾	2 - Moderate corrosion stress		
CE mark (see declaration of conformity) ²⁾	To EU EMC Directive In accordance with EU RoHS Directive		
CE marking (see declaration of conformity) ³⁾	To UK instructions for EMC To UK RoHS instructions		
Approval	RCM trademark c UL us listed (OL)		
Certificate issuing authority	UL E322346		

1) More information www.festo.com/x/topic/crc

2) For information about the area of use, see the declaration of conformity at: www.festo.com/catalogue/...d/Support/Downloads.

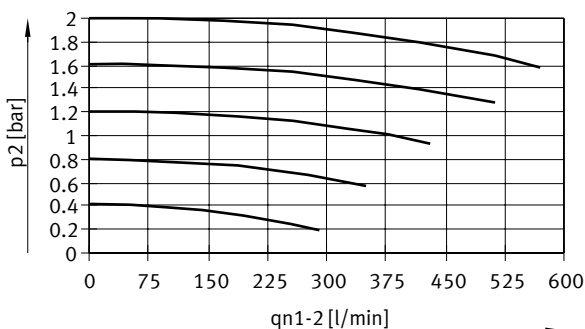
If the devices are subject to usage restrictions in residential, commercial or light-industrial environments, further measures for the reduction of the emitted interference may be necessary.

3) For information about the area of use, see the declaration of conformity at: www.festo.com/catalogue/...d/Support/Downloads.

If the devices are subject to usage restrictions in residential, commercial or light-industrial environments, further measures for the reduction of the emitted interference may be necessary.

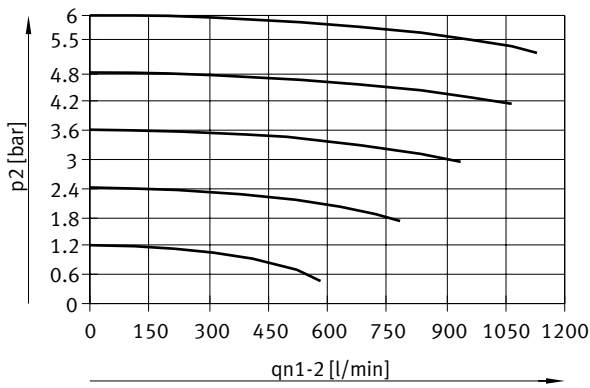
IO-Link® interface, materials

Material housing	Wrought aluminium alloy, Anodised
------------------	-----------------------------------

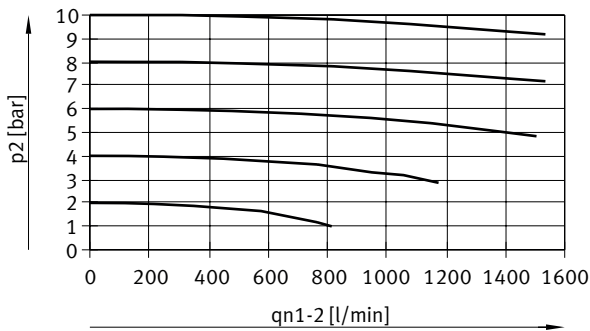
Flow rate q_{n1-2} from 1 -> 2 as a function of excess output pressure p_2 , VPPM-6L/F-...-0L2H-... (2 bar)

Datasheet

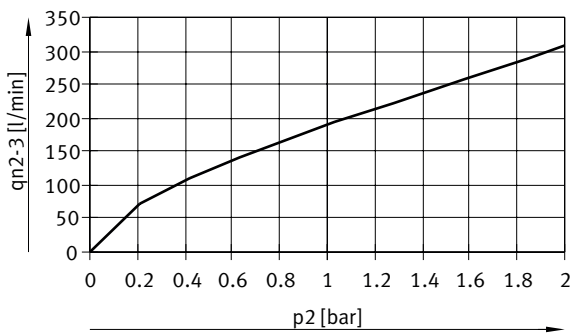
Flow rate q_n from 1 -> 2 as a function of excess output pressure p_2 , VPPM-6L/F-...-0L6H-... (6 bar)



Flow rate q_n from 1 -> 2 as a function of excess output pressure p_2 , VPPM-6L/F-...-0L10H-... (10 bar)

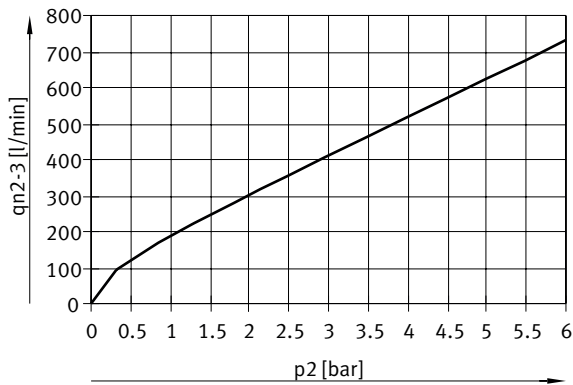


Flow rate q_n from 2 -> 3 as a function of excess output pressure p_2 , VPPM-6L/F-...-0L2H-... (2 bar)



Datasheet

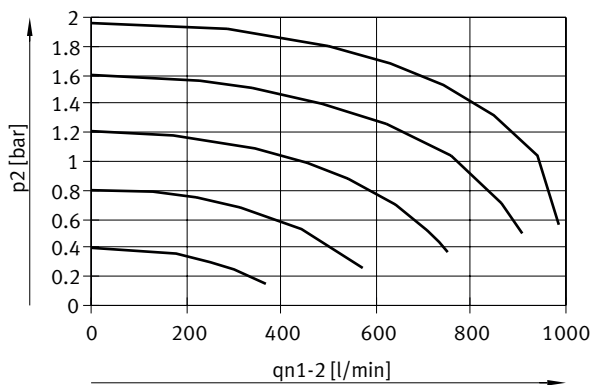
Flow rate q_{n2-3} from 2 -> 3 as a function of excess output pressure p_2 , VPPM-6L/F-...-0L6H-... (6 bar)



Flow rate q_n from 2 -> 3 as a function of excess output pressure p_2 , VPPM-6L/F-...-0L10H-... (10 bar)

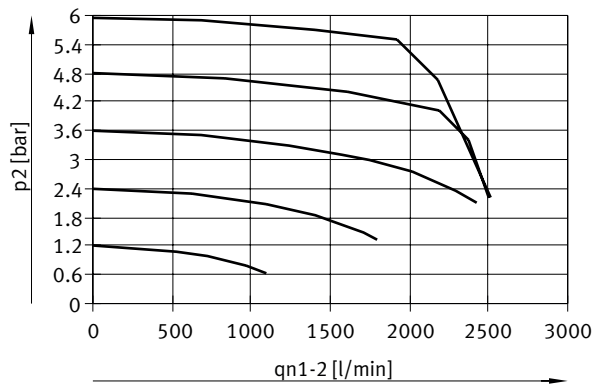


Flow rate q_n from 1 -> 2 as a function of excess output pressure p_2 , VPPM-8L/F-...-0L2H-... (2 bar)

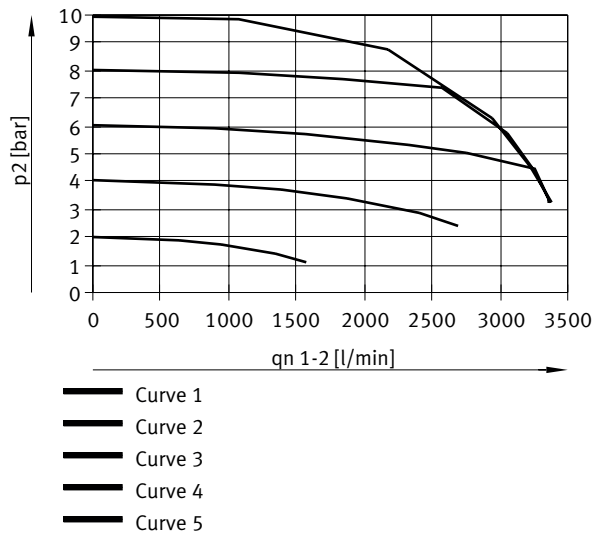


Datasheet

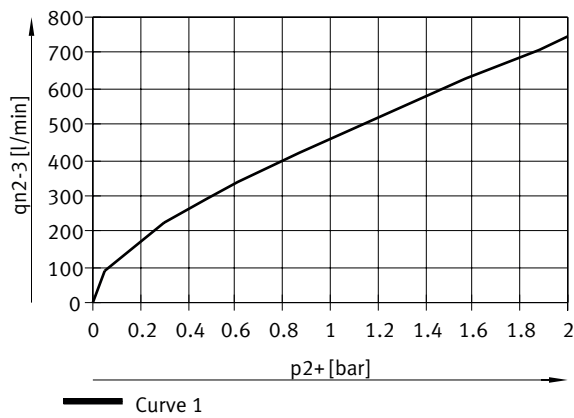
Flow rate q_n from 1 -> 2 as a function of excess output pressure p_2 , VPPM-8L/F-...-0L6H-... (6 bar)



Flow rate q_n from 1 -> 2 as a function of excess output pressure p_2 , VPPM-8L/F-...-0L10H-... (10 bar)

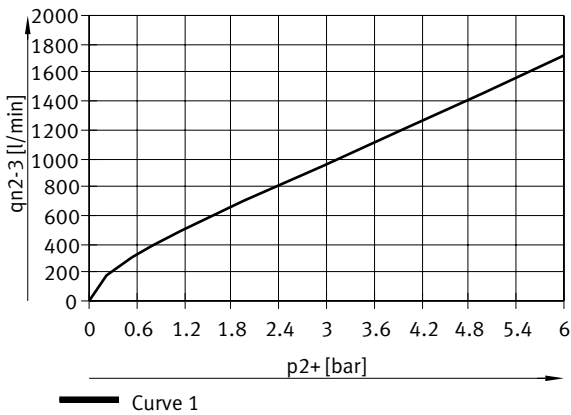


Flow rate q_n from 2 -> 3 as a function of excess output pressure p_2 , VPPM-8L/F-...-0L2H-... (2 bar)

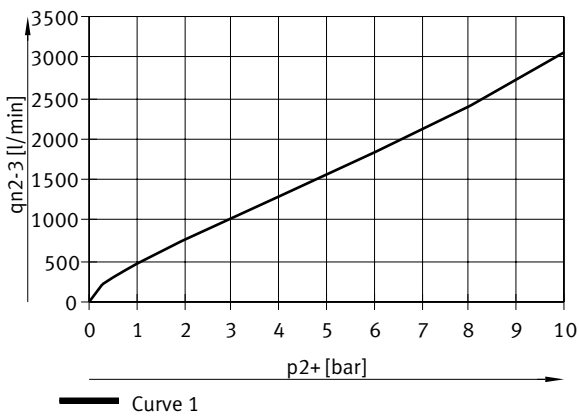


Datasheet

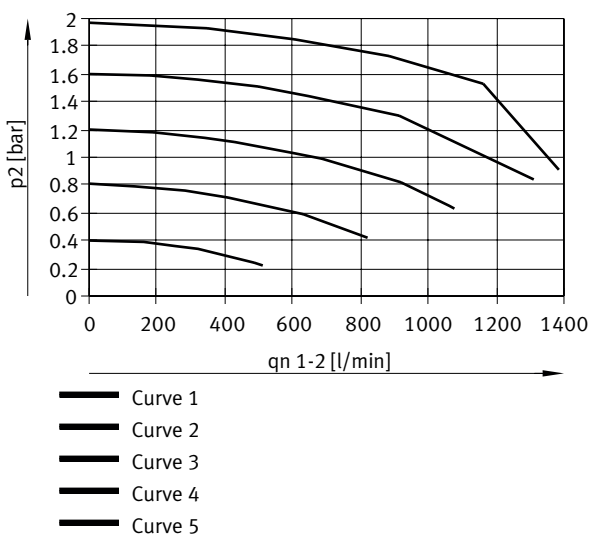
Flow rate q_{n2-3} from 2 -> 3 as a function of excess output pressure p_{2+} , VPPM-8L/F-...-0L6H-... (6 bar)



Flow rate q_{n2-3} from 2 -> 3 as a function of excess output pressure p_{2+} , VPPM-8L/F-...-0L10H-... (10 bar)

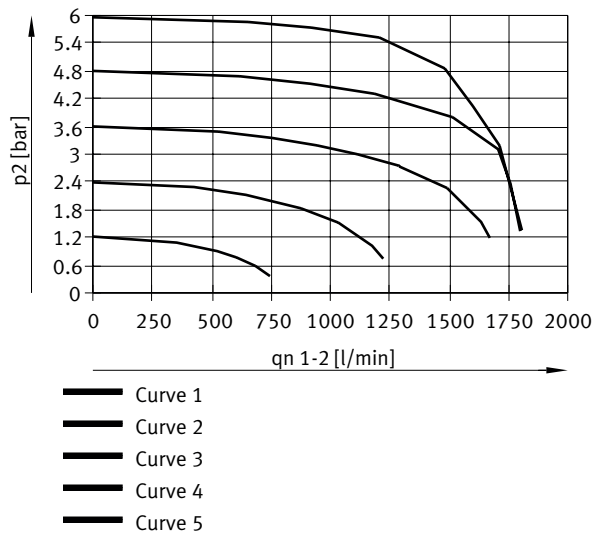


Flow rate q_n from 1 -> 2 as a function of excess output pressure p_2 , VPPM-8F/8TA-...-0L2H-... (2 bar)

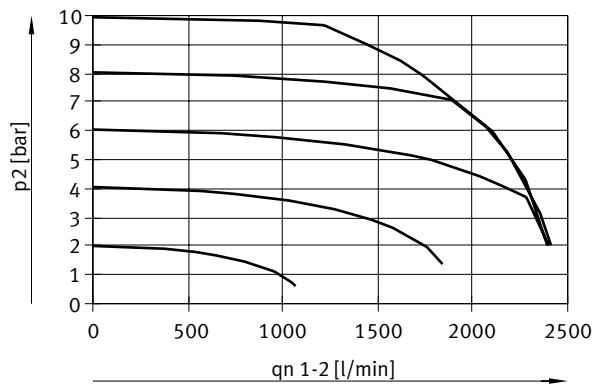


Datasheet

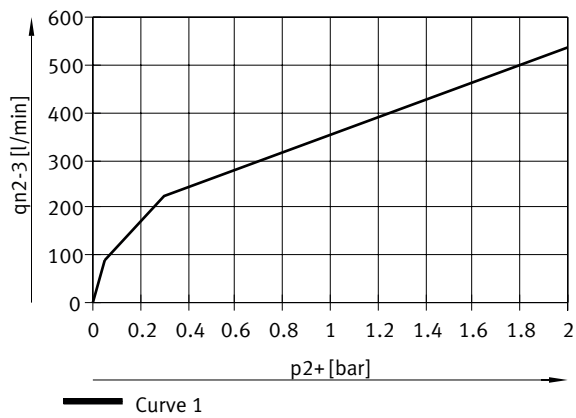
Flow rate q_n from 1 -> 2 as a function of excess output pressure p_2 , VPPM-8F/8TA-...-0L6H-... (6 bar)



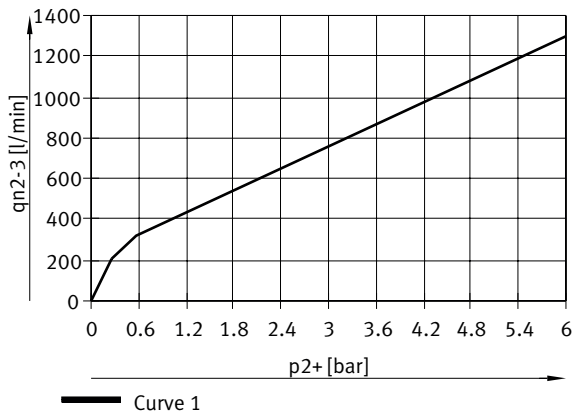
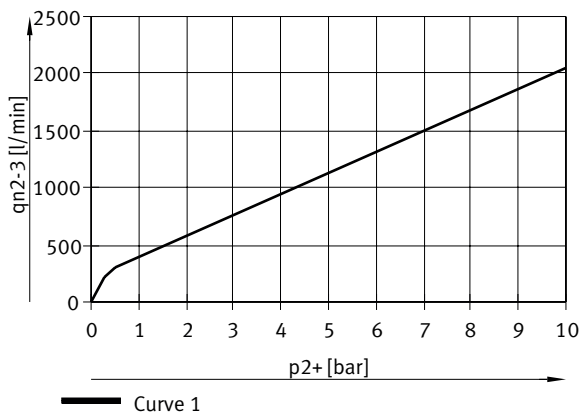
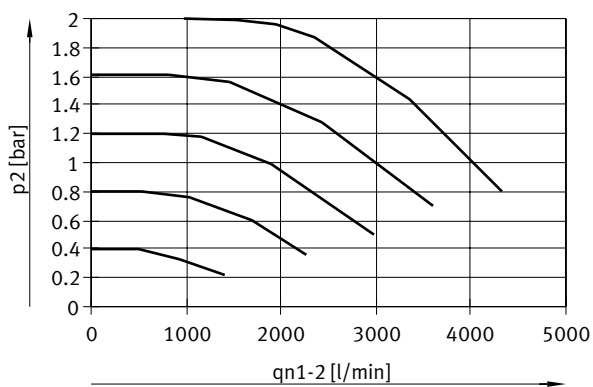
Flow rate q_n from 1 -> 2 as a function of excess output pressure p_2 , VPPM-8F/8TA-...-0L10H-... (10 bar)



Flow rate q_n from 2 -> 3 as a function of excess output pressure p_2 , VPPM-8F/8TA-...-0L2H-... (2 bar)

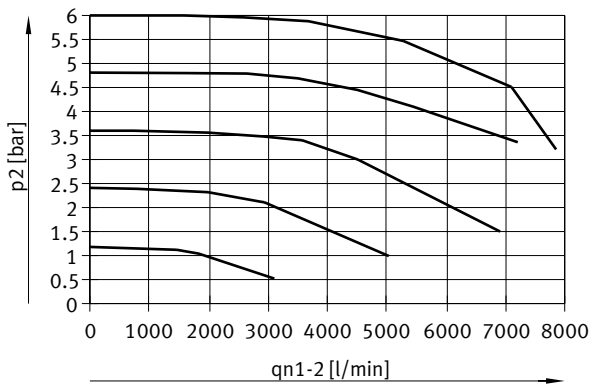


Datasheet

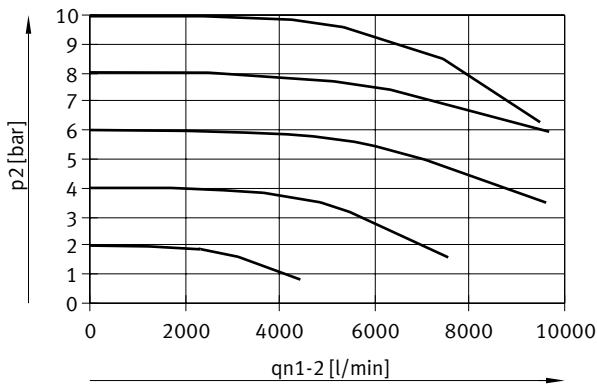
Flow rate q_{n2-3} from 2 -> 3 as a function of excess output pressure p_{2+} , VPPM-8F/8TA-...-0L6H-... (6 bar)Flow rate q_{n2-3} from 2 -> 3 as a function of excess output pressure p_{2+} , VPPM-8F/8TA-...-0L10H-... (10 bar)Flow rate q_{n1-2} from 1 -> 2 as a function of excess output pressure p_2 , VPPM-12L-...-0L2H-... (4 bar)

Datasheet

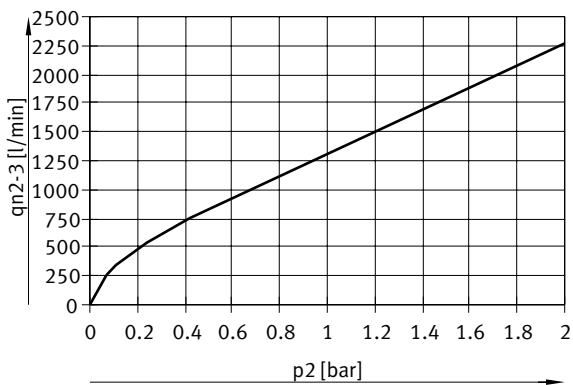
Flow rate q_n from 1 -> 2 as a function of excess output pressure p_2 , VPPM-12L-...-0L6H-... (8 bar)



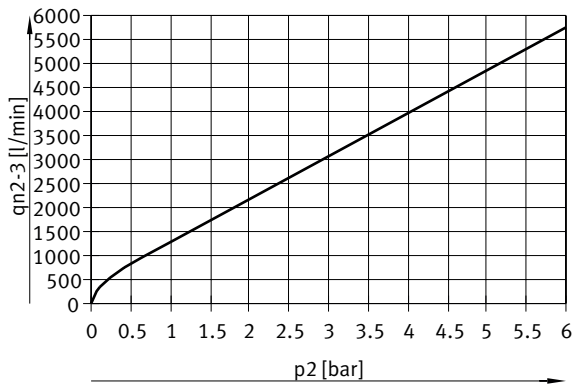
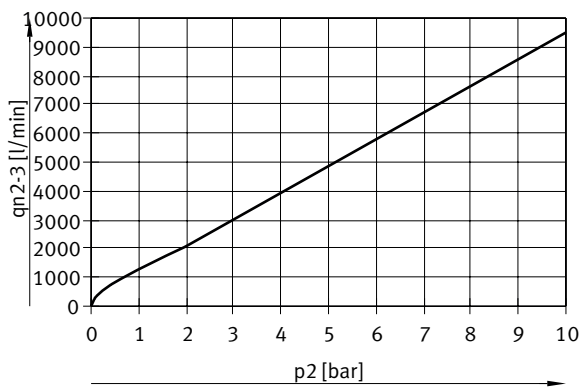
Flow rate q_n from 1 -> 2 as a function of excess output pressure p_2 , VPPM-12L-...-0L10H-... (11 bar)



Flow rate q_n from 2 -> 3 as a function of excess output pressure p_2 , VPPM-12L-...-0L2H-... (4 bar)



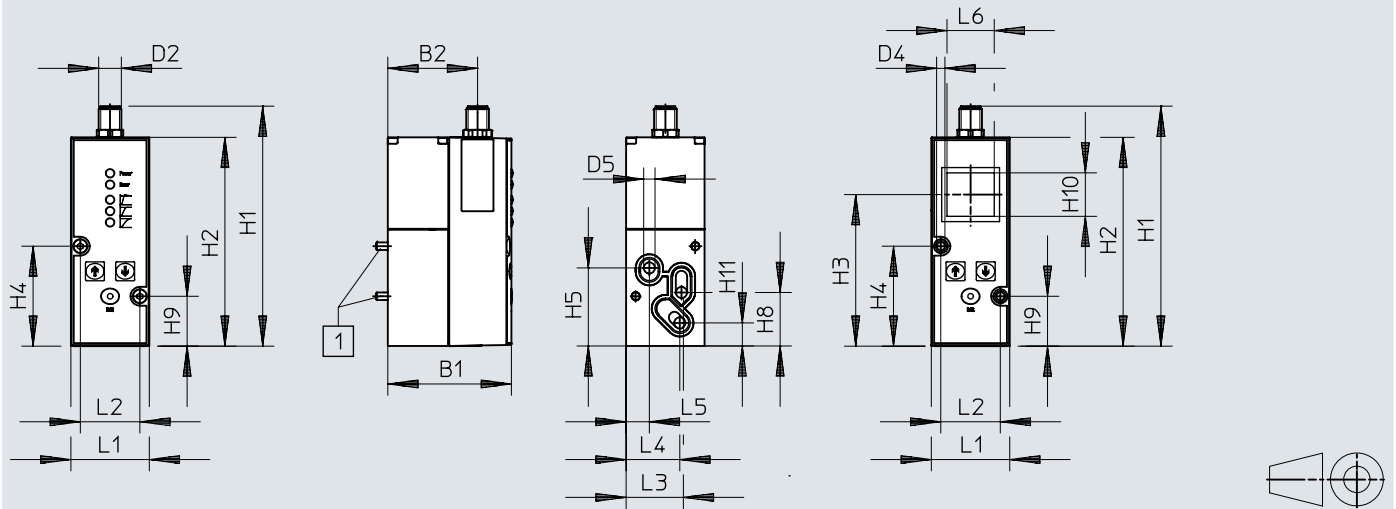
Datasheet

Flow rate q_{n2-3} from 2 -> 3 as a function of excess output pressure p_2 , VPPM-12L-...-0L6H-... (8 bar)Flow rate q_n from 2 -> 3 as a function of excess output pressure p_2 , VPPM-12L-...-0L10H-... (11 bar)

Dimensions

Dimensions – Analogue interface, VPPM-6F, sub-base valve

Download CAD data → www.festo.com



[1] Socket head screw M4x65

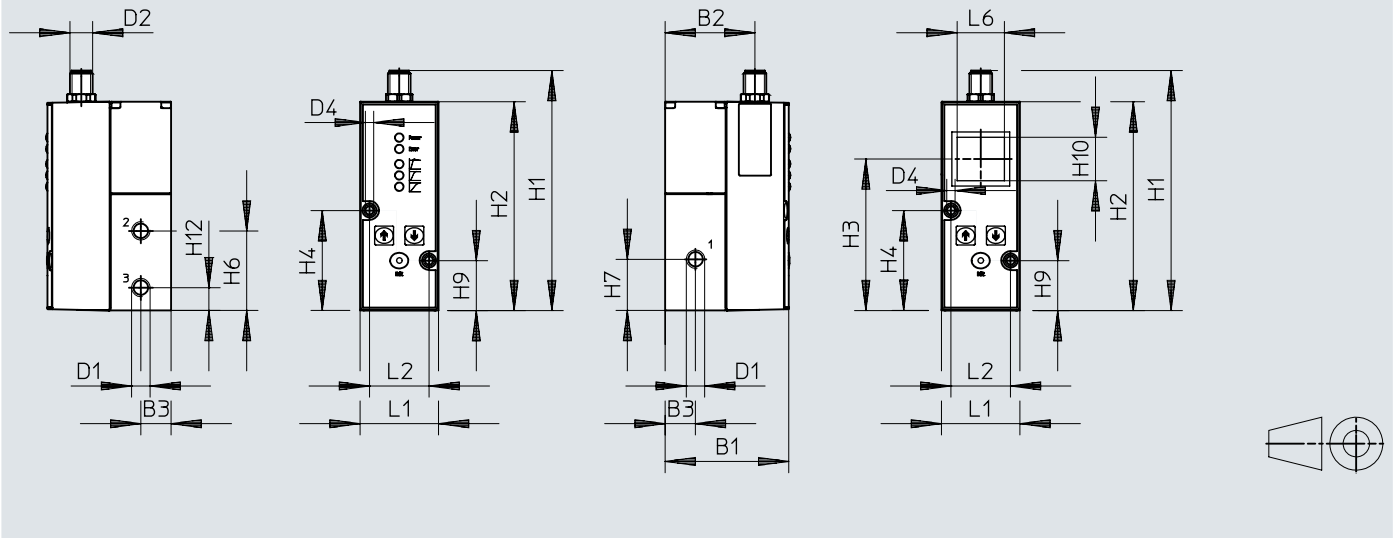
	B1	B2	D2 ∅	D4 ∅	D5 ∅	H1	H2	H3	H4	H5	H8	H9	H10	H11
VPPM-6F	65,4	47,5	M12x1	4,4	6	126,9	110,4	80,1	52,8	41,3	28,3	26,3	23	12,2

	L1	L2	L3	L4	L5	L6
VPPM-6F	41,5	31,5	30,3	28,4	12,3	25

Dimensions

Dimensions – Analogue interface, VPPM-6L- pneumatic connection G1/8

Download CAD data → www.festo.com

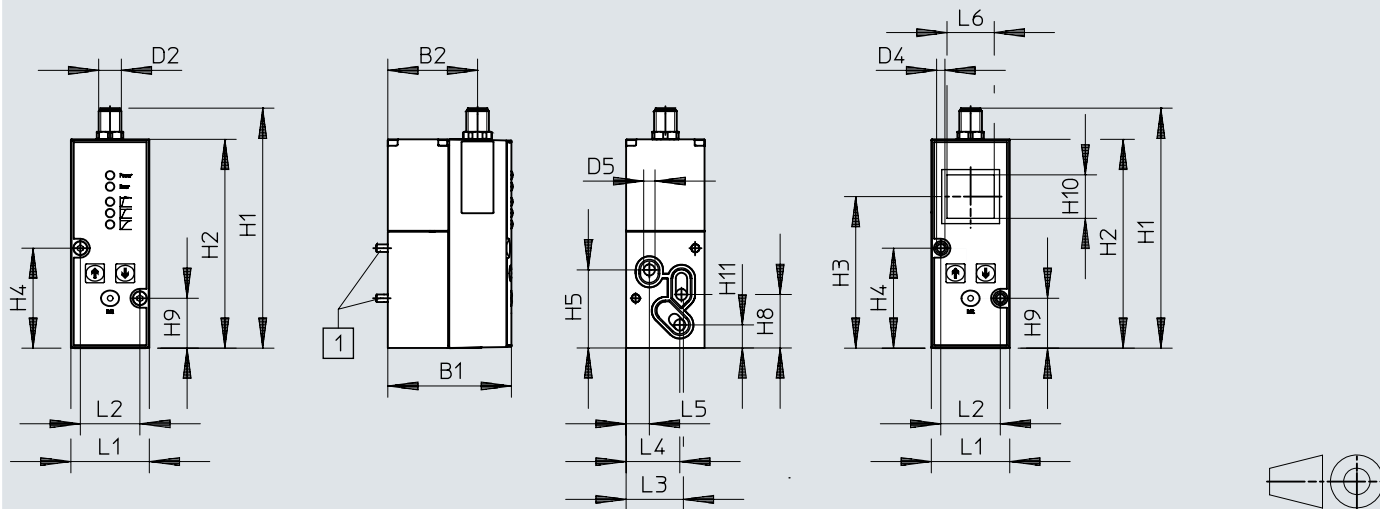


	B1	B2	B3	D1	D2	D4 ∅	H1	H2	H3	H4	H6	H7	H9	H10	H12
VPPM-6L	65,5	47,5	16	G1/8	M12x1	4,4	126,9	110,4	80,1	52,8	42	27	26,3	23	12
	L1			L2			L6								
VPPM-6L	41,5			31,5			25								

Dimensions

Dimensions – Analogue interface, VPPM-8F, sub-base valve

Download CAD data → www.festo.com



[1] Socket head screw M4x77

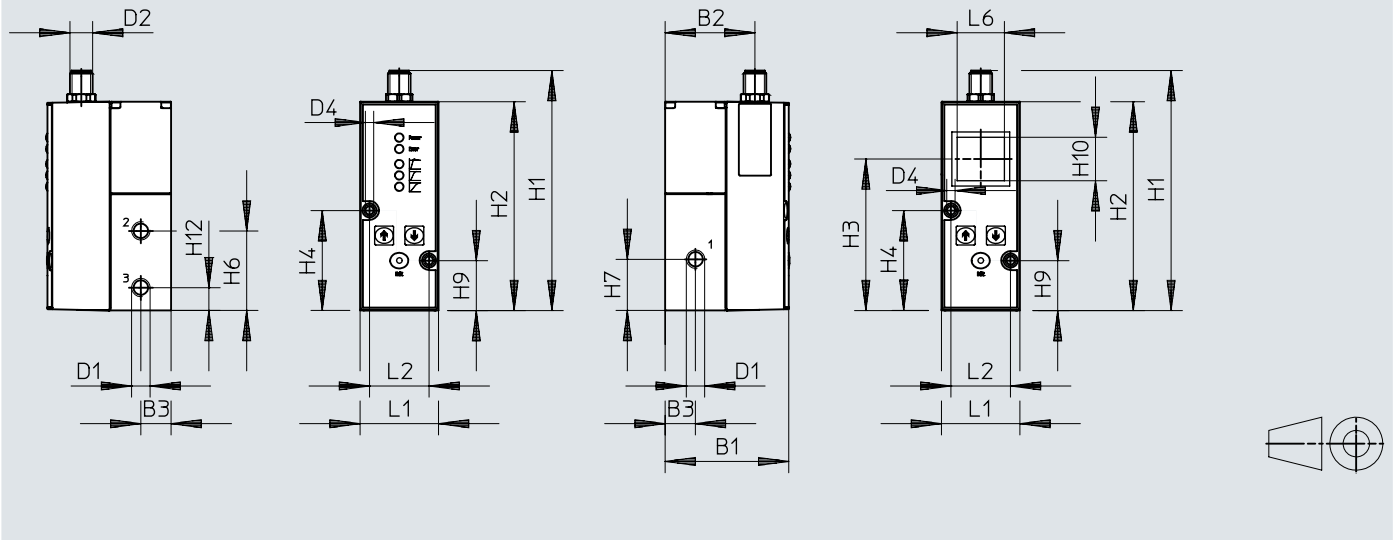
	B1	B2	D2	D5 ∅	H1	H2	H3	H4	H5	H8	H9	H10	H11
VPPM-8F	77,4	59,5	M12x1	8	126,9	110,4	80	52,8	41,3	28,3	26,3	23	12,2

	L1	L2	L3	L4	L5	L6
VPPM-8F	41,5	31,5	29,3	28,4	12,3	25

Dimensions

Dimensions – Analogue interface, VPPM-8L, pneumatic connection G1/4

Download CAD data → www.festo.com

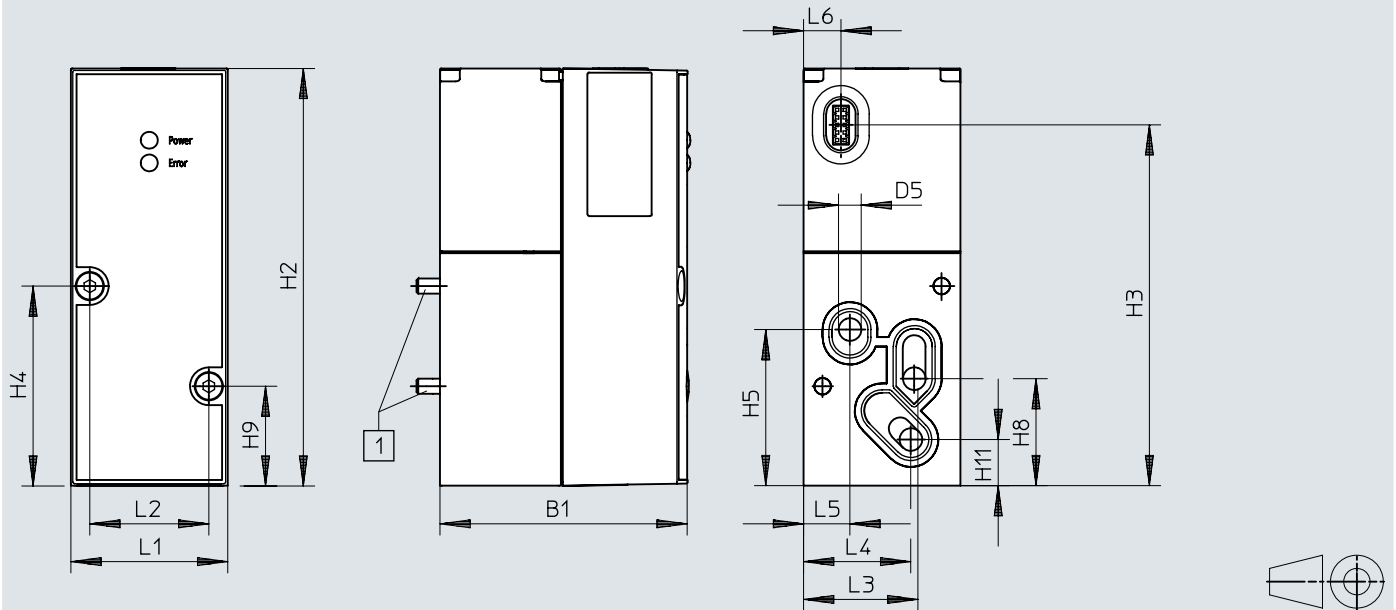


	B1	B2	B3	D1	D2	H1	H2	H3	H4	H6	H7	H9	H10	H12
VPPM-8L	77,4	59,5	22	G1/4	M12x1	126,9	110,4	80	52,8	42	27	26,3	23	12
	L1			L2			L6							
VPPM-8L	47			31,5			25							

Dimensions

Dimensions – Analogue interface, VPPM-6TA, sub-base valve

Download CAD data → www.festo.com



[1] Socket head screw M4x55

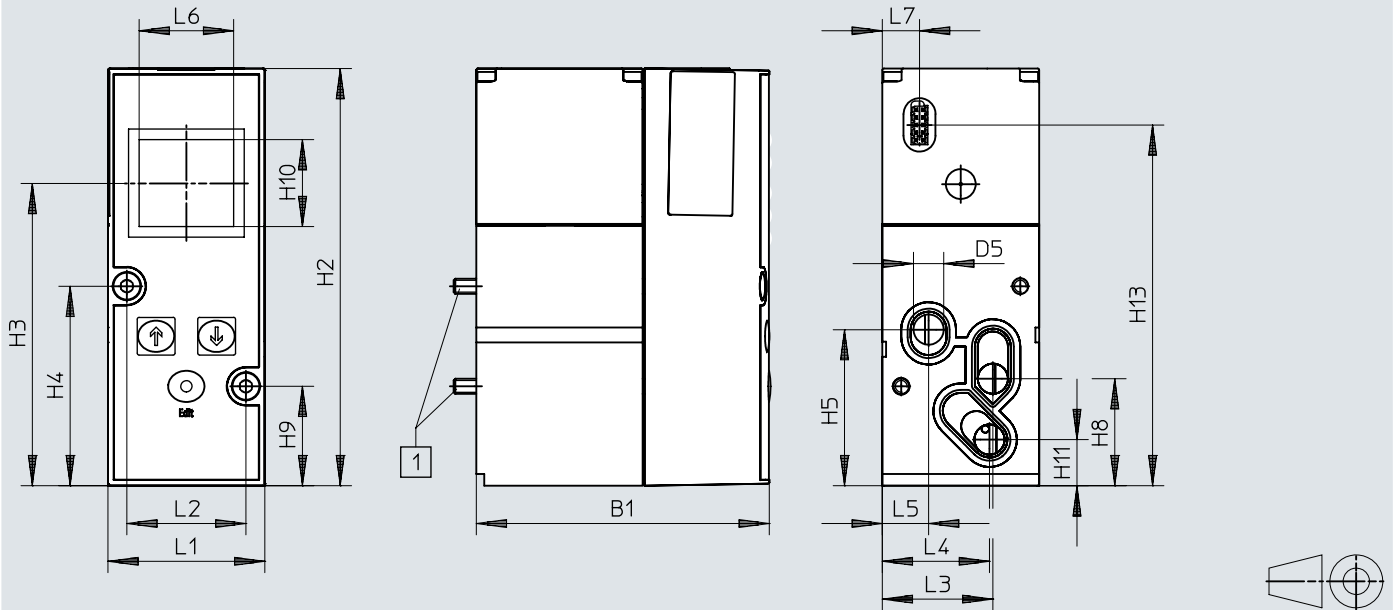
	B1	D5 ∅	H2	H3	H4	H5	H8	H9	H11
VPPM-6TA	55,1	6	110,4	95,5	52,8	41,3	28,3	26,3	12,2

	L1	L2	L3	L4	L5	L6
VPPM-6TA	41,5	31,5	30,3	28,4	12,3	9,9

Dimensions

Dimensions – Analogue interface, VPPM-8TA, sub-base valve with LCD

Download CAD data → www.festo.com



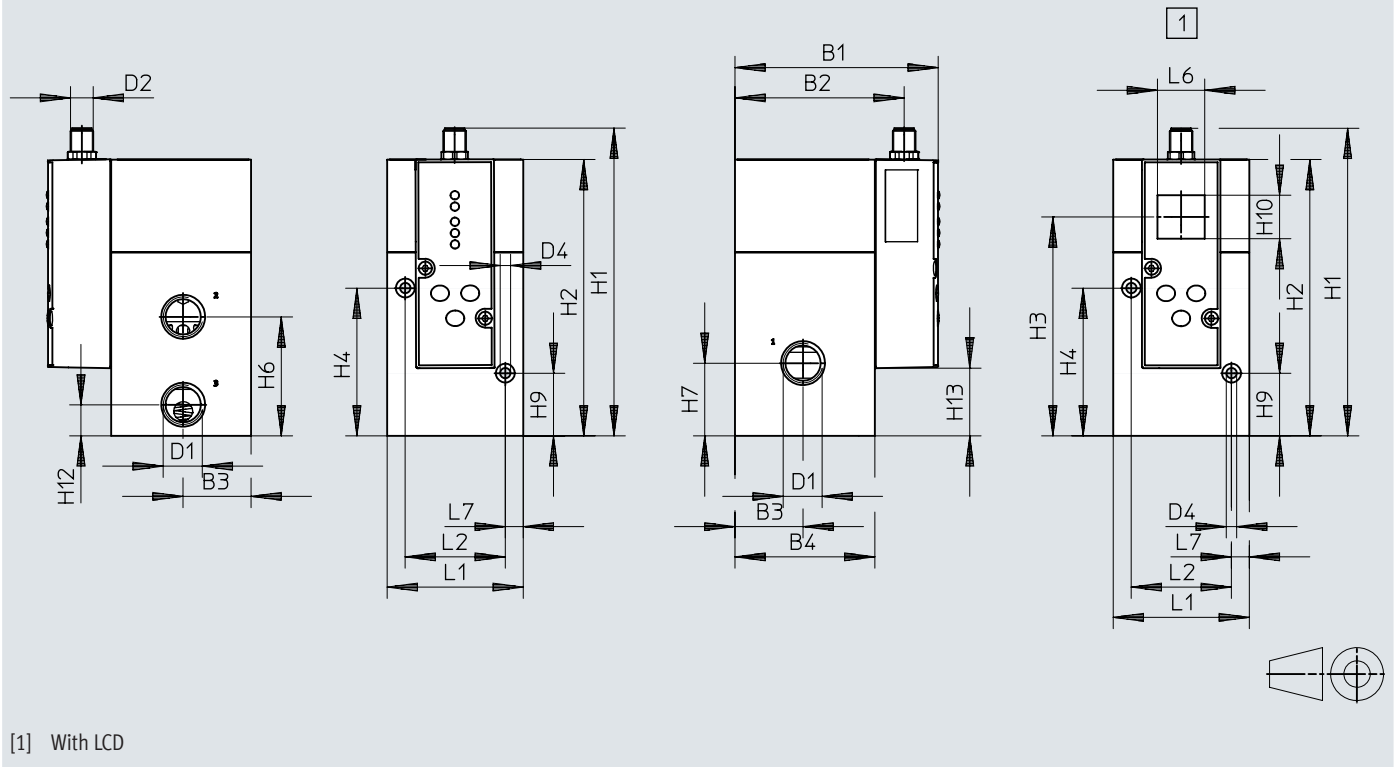
[1] Socket head screw M4x77

	B1	D5 ∅	H2	H3	H4	H5	H8	H9	H10	H11	H13
VPPM-8TA	77,4	8	110,4	80	52,8	41,3	28,3	26,3	23	12,2	95,5
	L1	L2	L3	L4	L5	L6	L7				
VPPM-8TA	41,5	31,5	29,3	28,4	12,3	25	9,9				

Dimensions

Dimensions – Analogue interface, VPPM-12L, pneumatic connection G1/2

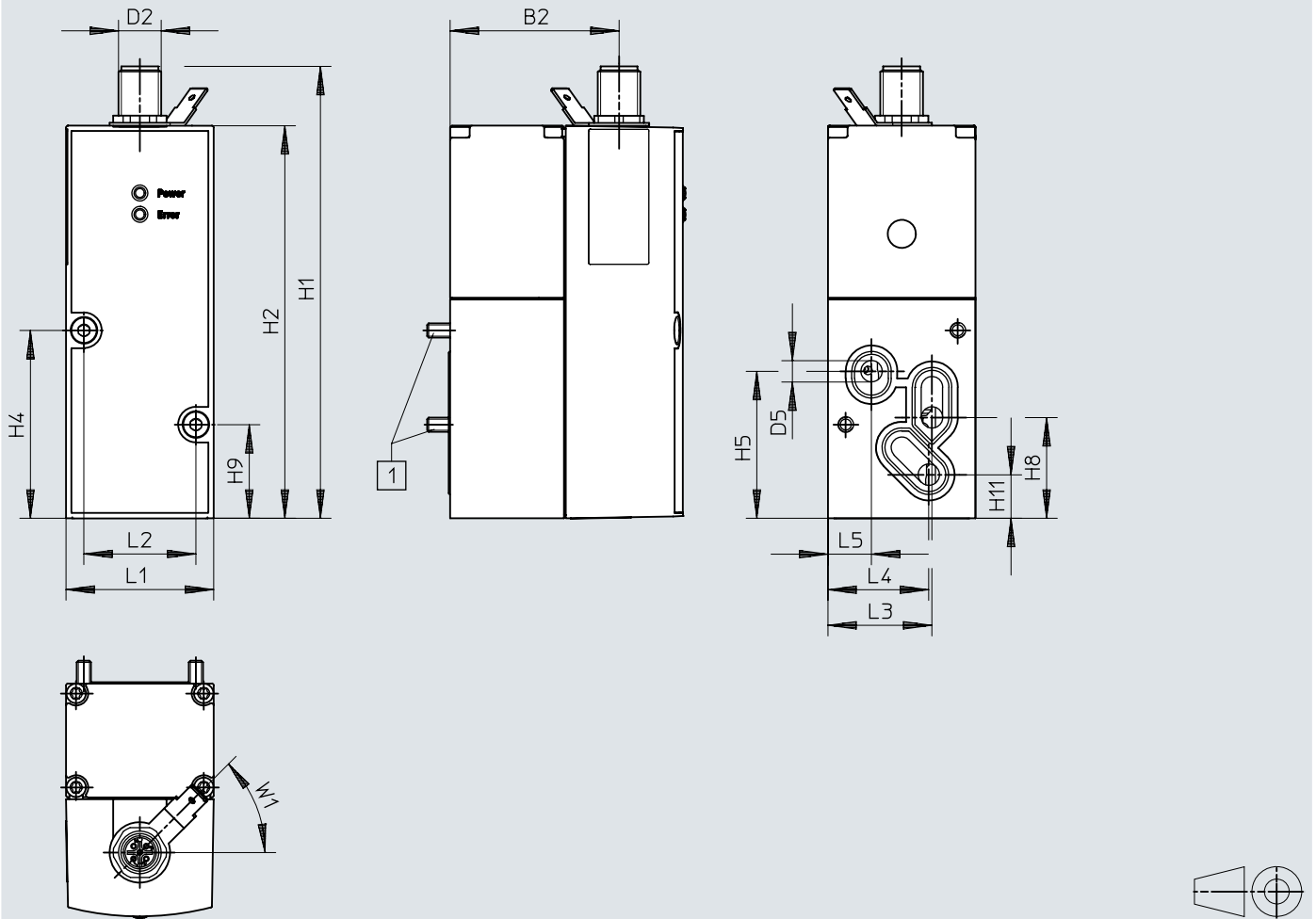
Download CAD data → www.festo.com



	B1	B2	B3	B4	D1	D2	D4	H1	H2	H3	H4	H6	H7	H9	H10	H12	H13
VPPM-12L	107,4	89,5	36	74	G1/2	M12x1	5,5	162,8	146,3	116	78,2	63	38,5	33,2	23	16,5	35,9
			L1				L2				L6				L7		
VPPM-12L			72				53				25				9,5		

Dimensions

Dimensions – IO-Link® interface, VPPM-6F, sub-base valve

Download CAD data → www.festo.com

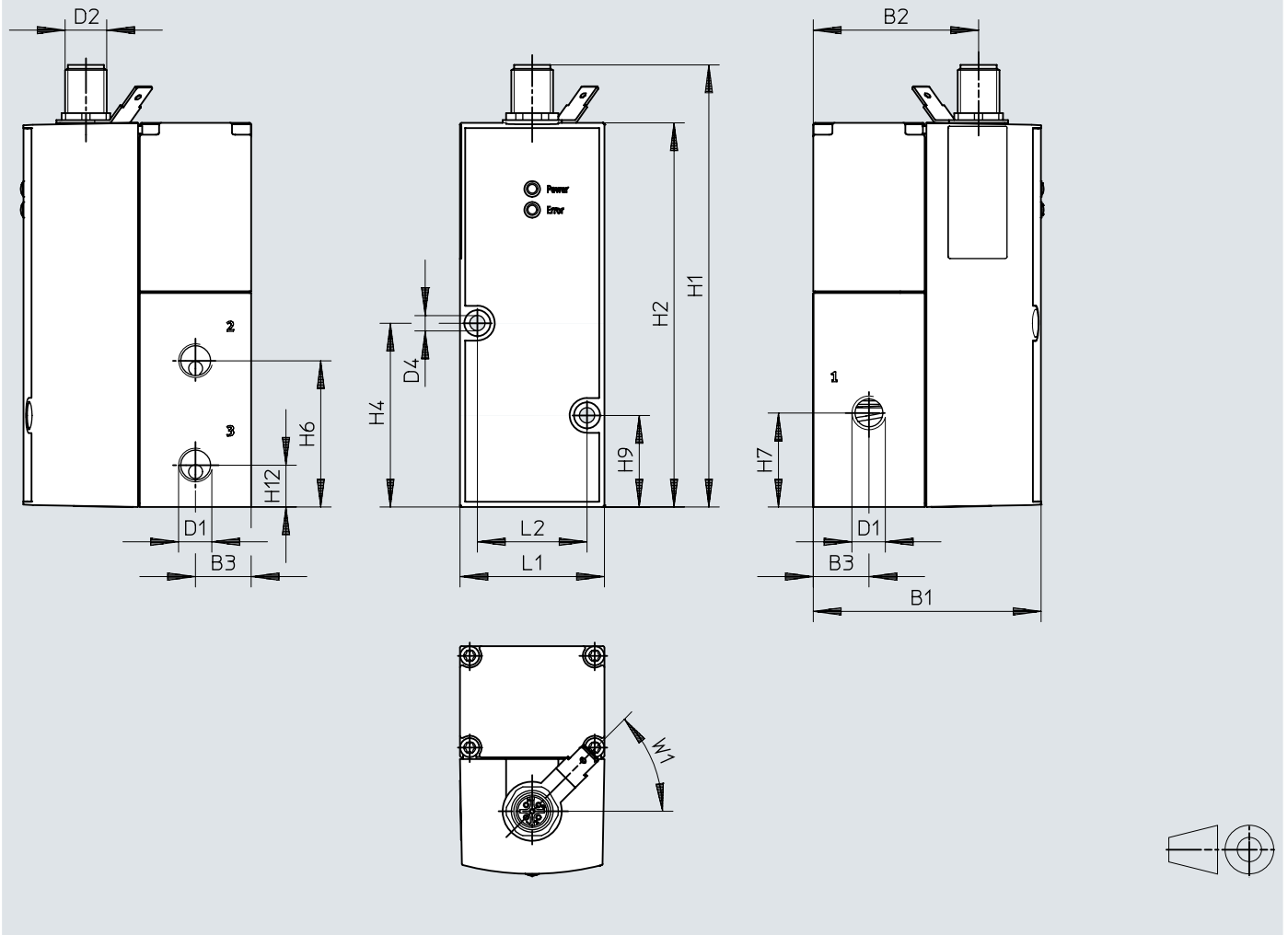
[1] Socket head screw M4x65

	B1	B2	D2 ∅	D5 ∅	H1	H2	H4	H5	H8	H9	H11
VPPM-6F	65,5	47,5	M12x1	6	126,9	110,4	52,8	41,3	28,3	26,3	12,2
	L1	L2	L3	L4	L5	W1 ± 5°					
VPPM-6F	41,5	31,5	30,3	28,4	12,3	45°					

Dimensions

Dimensions – IO-Link® interface, VPPM-6L- pneumatic connection G1/8

Download CAD data → www.festo.com

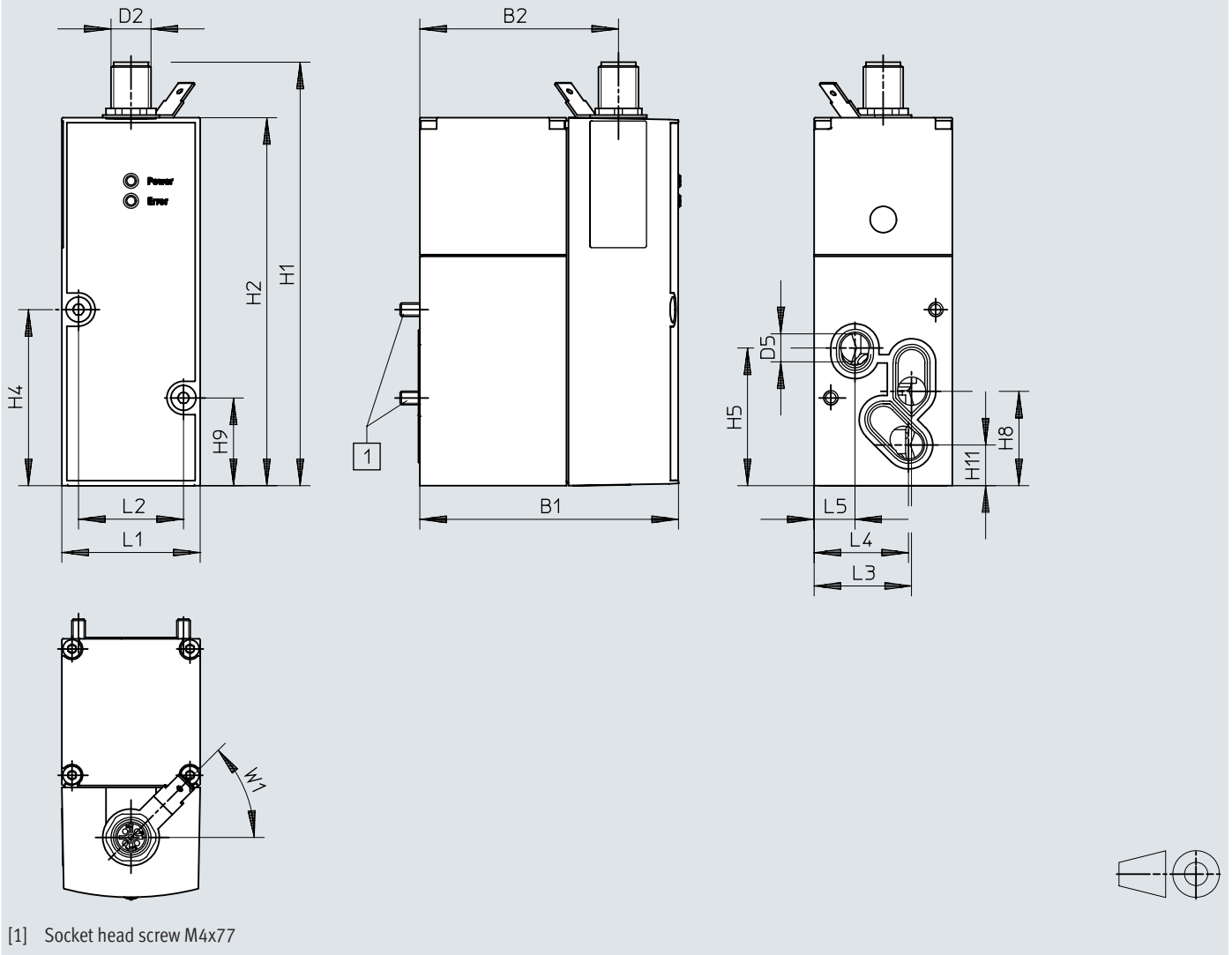


	B1	B2	B3	D1 ∅	D2 ∅	D4 ∅	H1	H2	H4	H6	H7	H9	H12
VPPM-6L	65,5	47,5	16	G1/8	M12x1	4,4	126,9	110,4	52,8	42	27	26,3	12
	L1			L2			W1 ± 5°						
VPPM-6L	41,5			31,5			45°						

Dimensions

Dimensions – IO-Link® interface, VPPM-8F, sub-base valve

Download CAD data → www.festo.com

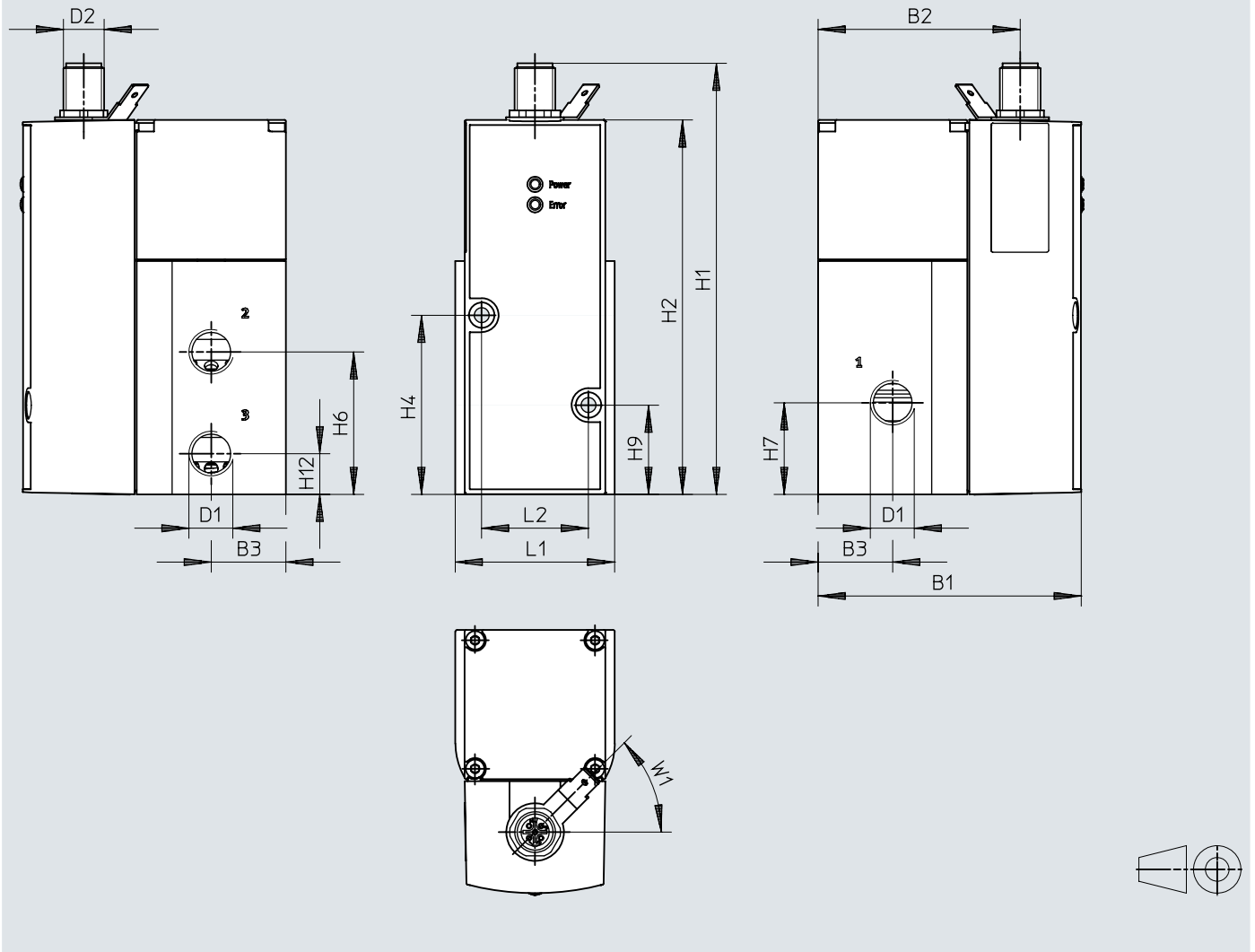


	B1	B2	D2	D5 ø	H1	H2	H4	H5	H8	H9	H11
VPPM-8L	77,4	59,5	M12x1	8	126,9	110,4	52,8	41,3	28,3	26,3	12,2
	L1	L2	L3	L4	L5	W1 ± 5°					
VPPM-8L	41,5	31,5	29,3	28,4	12,3	45°					

Dimensions

Dimensions – IO-Link® interface, VPPM-8L, pneumatic connection G1/4

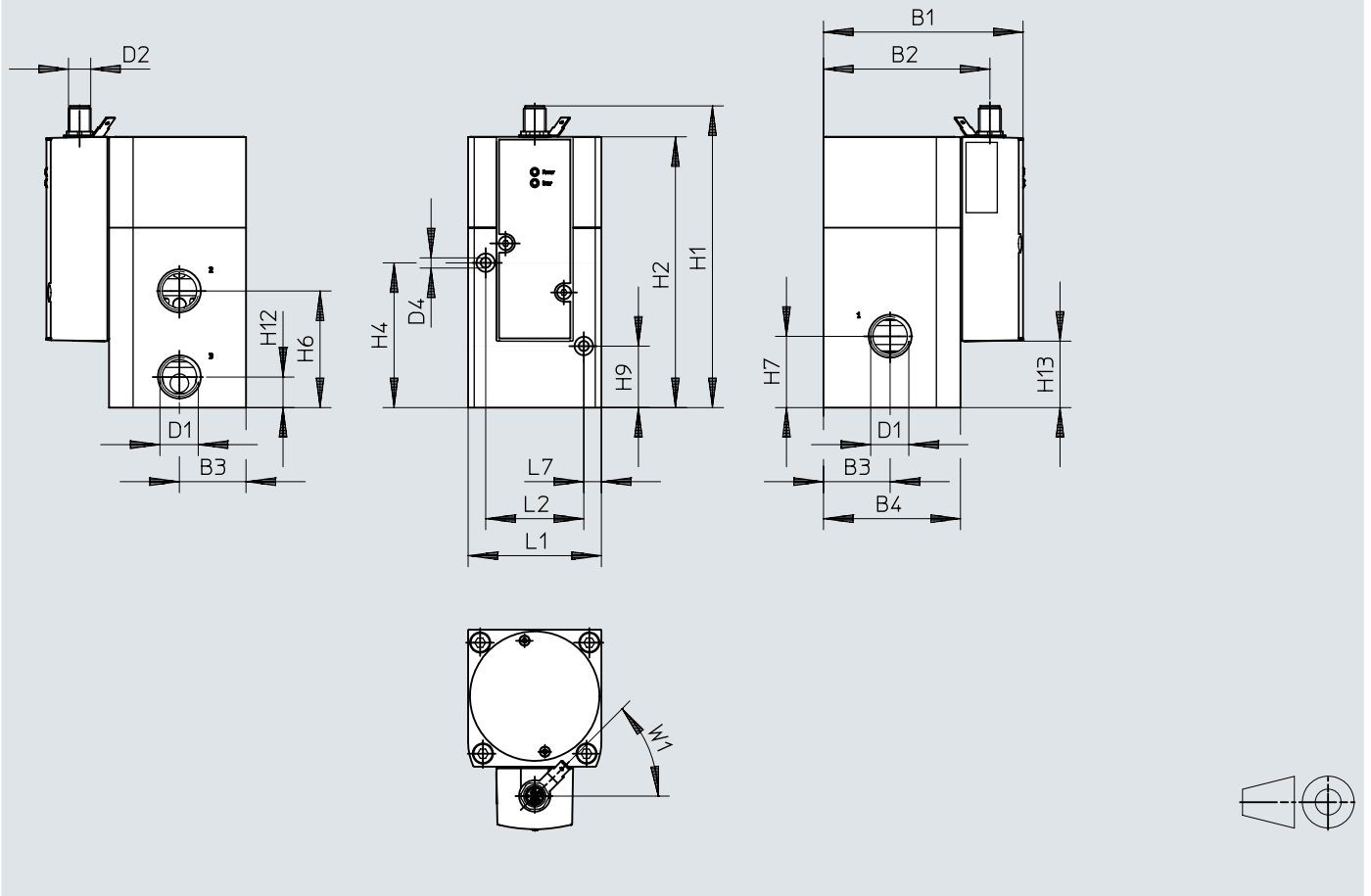
Download CAD data → www.festo.com



	B1	B2	B3	D1	D2	H1	H2	H4	H6	H7	H9	H12
VPPM-8L	77,4	59,5	22	G1/4	M12x1	126,9	110,4	52,8	42	27	26,3	12
	L1			L2			W1 ± 5°					
VPPM-8L	47			31,5			45°					

Dimensions

Dimensions – IO-Link® interface, VPPM-12L, pneumatic connection G1/2

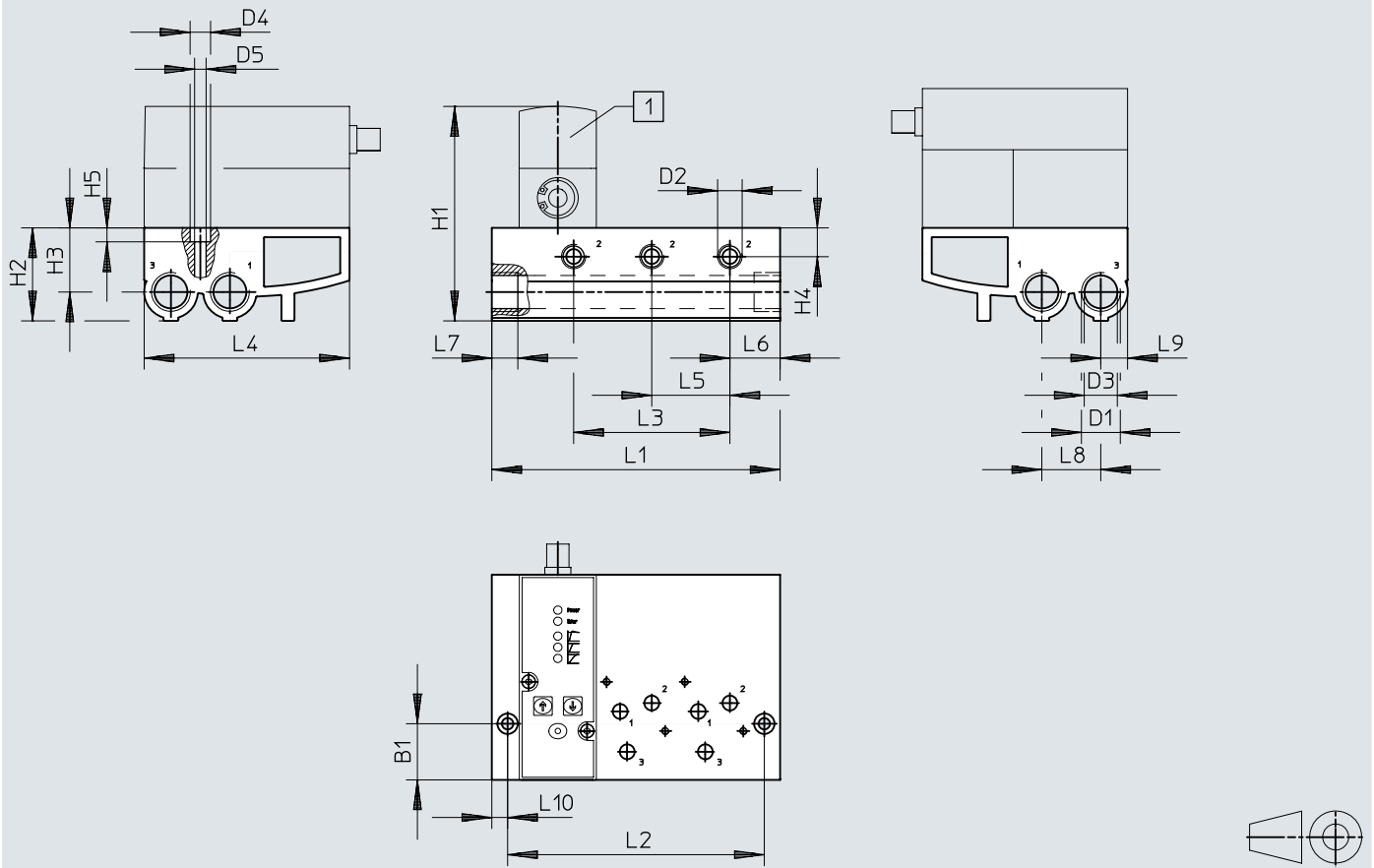
Download CAD data → www.festo.com

	B1	B2	B3	B4	D1	D2	D4 ø	H1	H2	H4	H6	H7	H9	H12	H13
VPPM-12L	107,4	89,5	36	74	G1/2	M12x1	5,5	162,8	146,3	78,2	63	38,5	33,2	16,5	35,9
		L1			L2		L7							W1 ±5°	
VPPM-12L		72			53		9,5							45°	

Dimensions

Dimensions – Manifold block VABM-P1

Download CAD data → www.festo.com



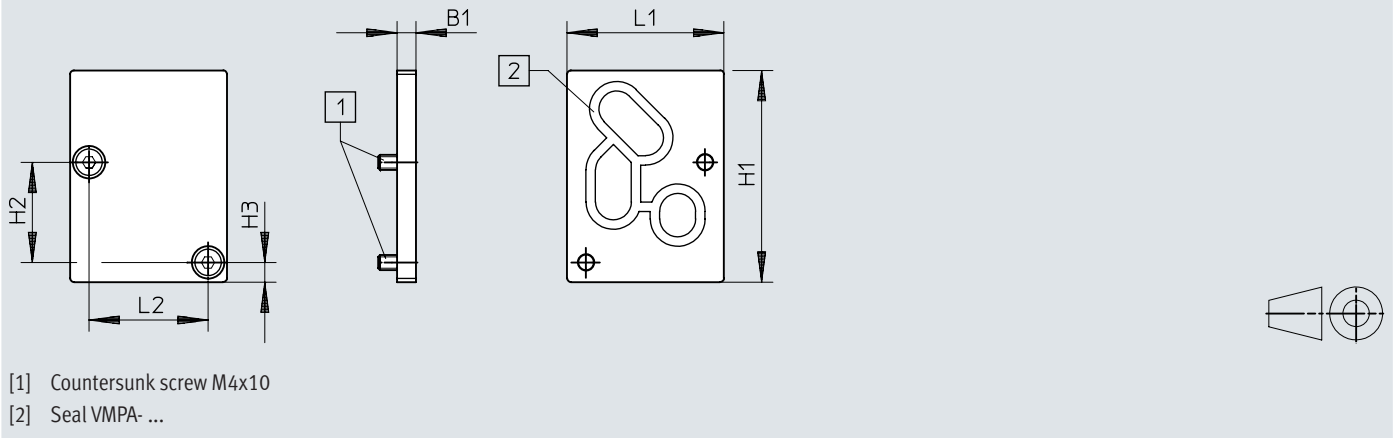
[1] Proportional-pressure regulator VPPM

	B1	D1	D2	D3 ∅	D4 ∅	D5 ∅	H1	H2	H3	H4	H5
VABM-P1-SF-G14-2-P3	30,2	G1/2	G1/4	17,8	11	6,2	~116	50	34,5	15,5	7,5
VABM-P1-SF-G14-3-P3											
VABM-P1-SF-G14-4-P3											

	L1	L2	L3	L4	L5	L6	L7	L8	L9	L10
VABM-P1-SF-G14-2-P3	113	96	42	110,4	42	27	14	31,7	14,4	8,5
VABM-P1-SF-G14-3-P3	155	138	84							
VABM-P1-SF-G14-4-P3	197	180	126							

Dimensions

Dimensions – Cover plate VABB-P1

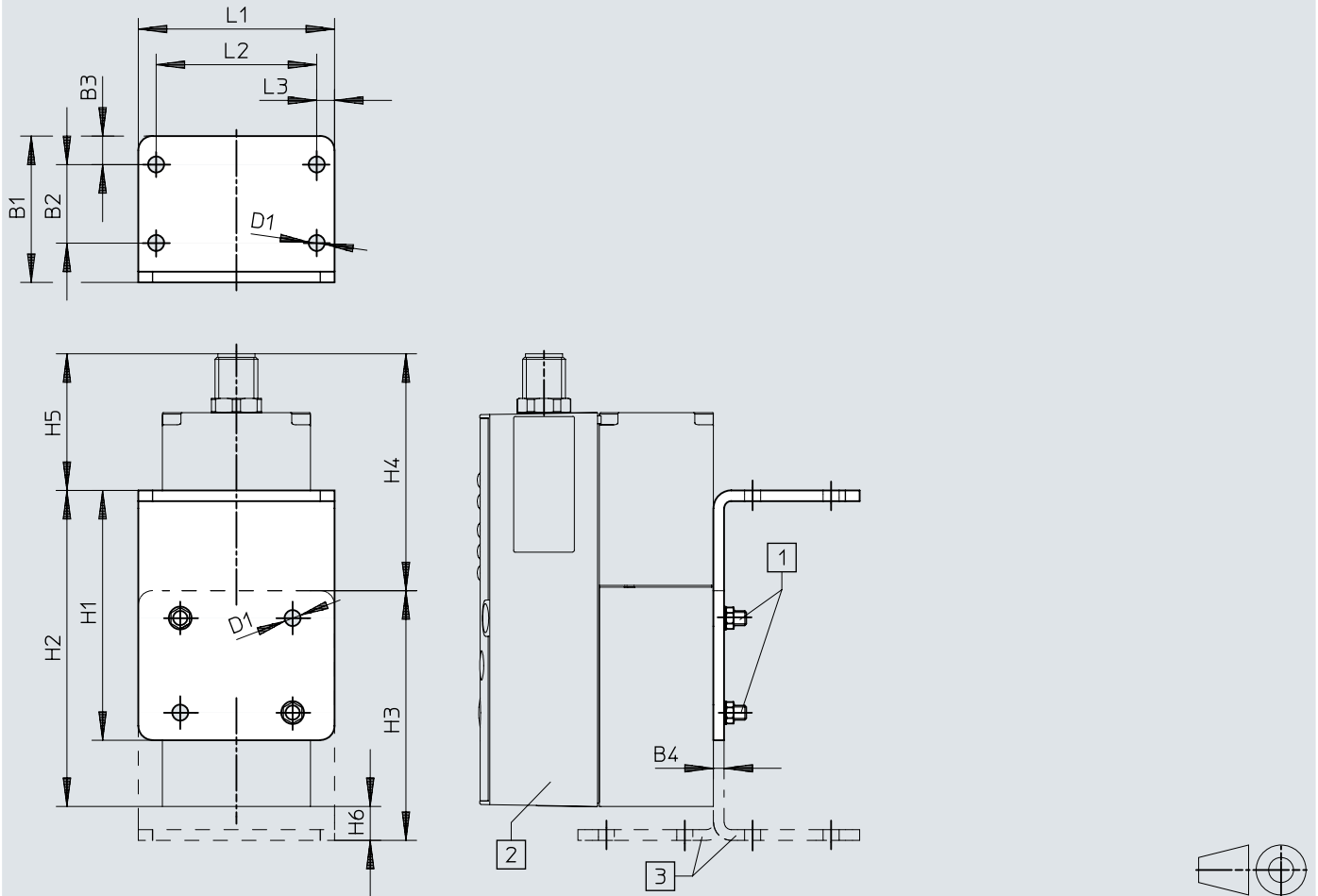
Download CAD data → www.festo.com

	B1	H1	H2	H3	L1	L2
VABB-P1	5	56	26,5	5,2	41,5	31,5

Dimensions

Dimensions – Bracket VAME-P1-A

Download CAD data → www.festo.com

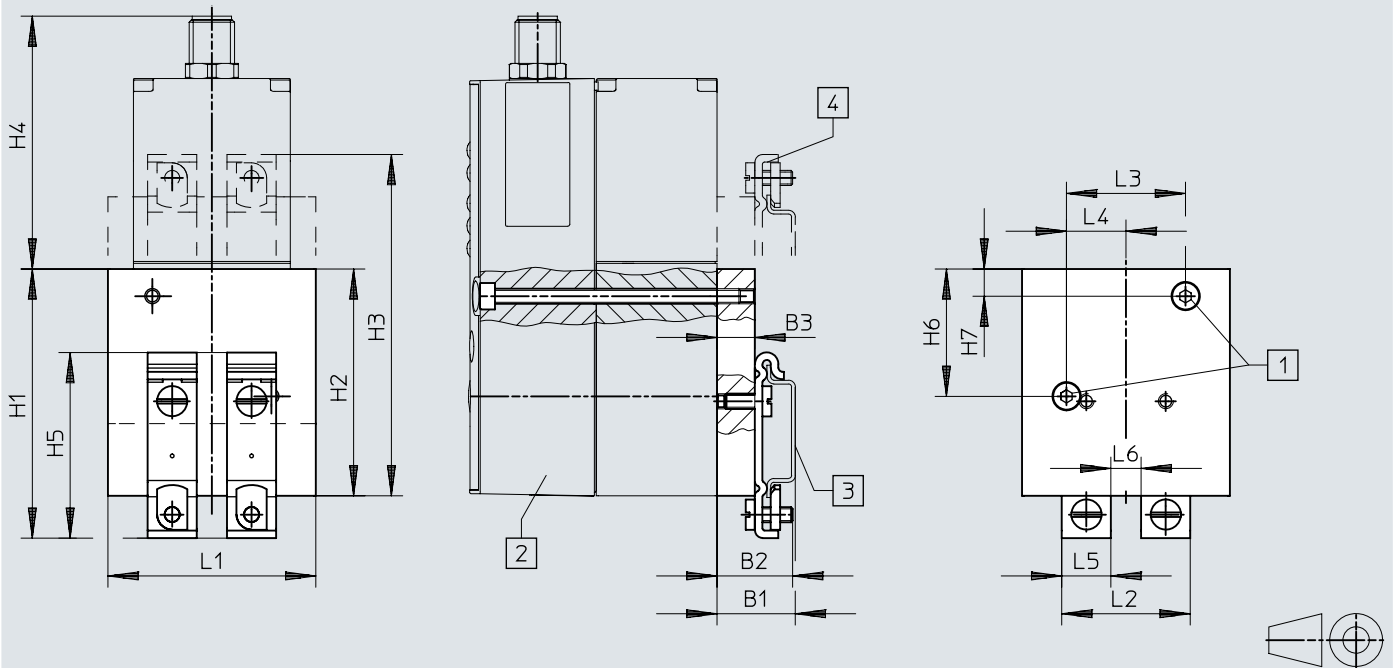


- [1] Socket head screw M4
- [2] Proportional-pressure regulator VPPM
- [3] Bracket can be reversed if required

	B1	B2	B3	B4	D1 ∅	H1	H2	H3	H4	H5	H6	L1	L2	L3
VAME-P1-A	41	22	8	3	4,5	70	88,6	70	66,4	38,3	9,5	55	45	5

Dimensions

Dimensions – H-rail mounting VAME-P1-T

Download CAD data → www.festo.com

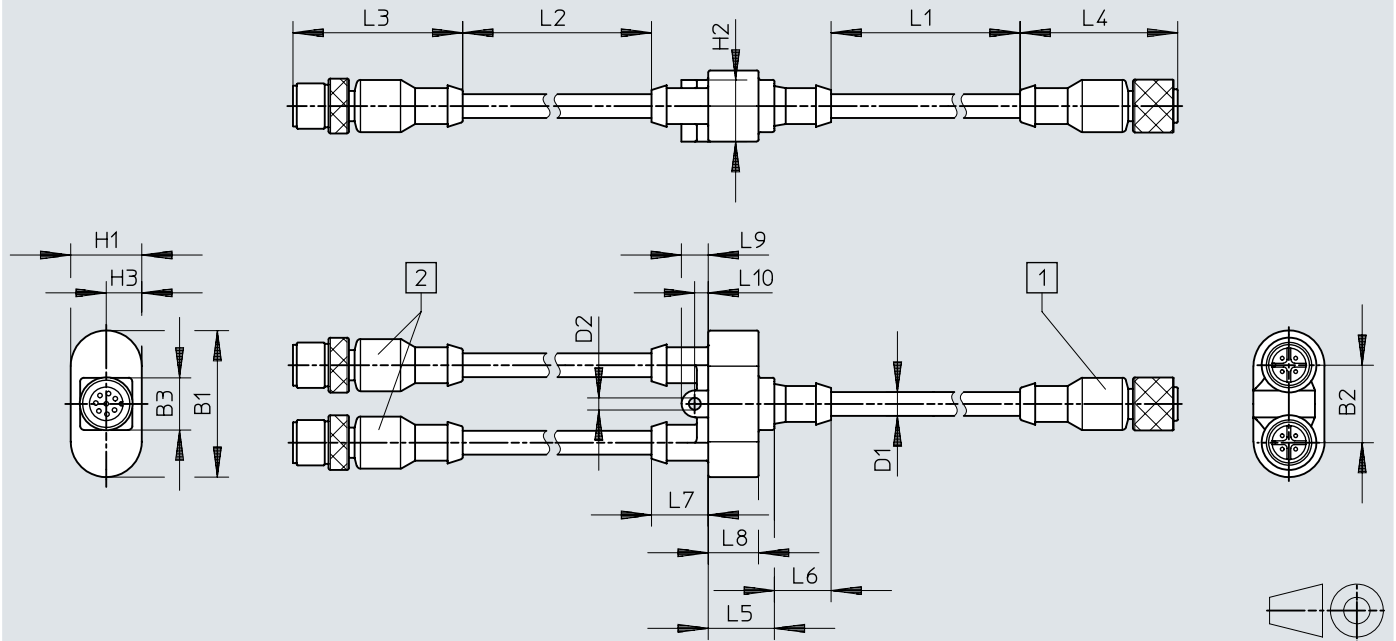
- [1] Socket head screw M4
 [2] Proportional-pressure regulator VPPM
 [3] H-rail NRH
 [4] H-rail mounting can be rotated 180° if required

	B1	B2	B3	H1	H2	H3	H4	H5	H6	H7	L1	L2	L3	L4	L5	L6
VAME-P1-T	20,7	20	10	71,2	60	90,3	66,9	49,1	33,7	7,2	55	34	31,5	15,75	13	8

Dimensions

Dimensions – Connecting cable NEBV-M12G8-KD-3-M12G4

Download CAD data → www.festo.com

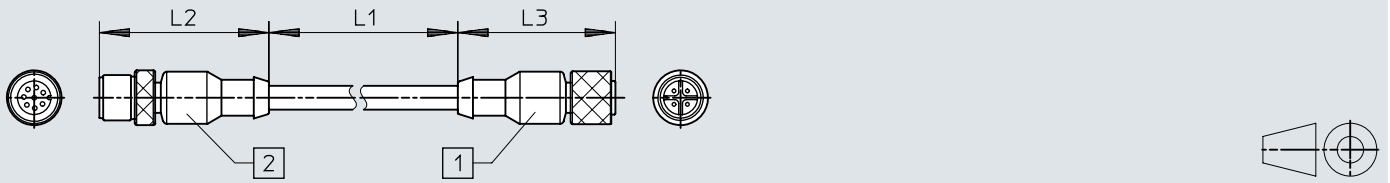


- [1] Straight socket, 8-pin on VPPM
- [2] Straight plug, 4-pin on CPX modules

	B1	B2	B3	D1	D2	H1	H2	H2	L1	L2	L3	L4	L5	L6	L7	L8	L9	L10
NEBV-M12G8	38,8	20,5	13,8	6,3	3,2	18,8	16,3	9,4	2500	500	44,9	41,7	17,5	15	15	13,3	7,1	3,6

Dimensions

Dimensions – Connecting cable NEBV-M12G8-K-5-M12G4

Download CAD data → www.festo.com

[1] Straight plug, M12 4-pin on CPX module

[2] Straight socket, M12 8-pin on VPPM

	L1	L2	L3
NEBV-M12G8-K-2-M12G4	2000	44,9	41,7
NEBV-M12G8-K-5-M12G4	5000	44,9	41,7

Ordering data

VPPM with analogue interface									
Signal range analogue input	Signal range analogue output	Total accuracy	Pneumatic connection, port 1	Pressure regulation range	Part no.	Type			
0 - 10 V	0 - 10 V	1.25%FS	Sub-base	0.002 ... 0.2 MPa	542239	VPPM-6F-L-1-F-0L2H-V1N-S1			
					542245	VPPM-6F-L-1-F-0L2H-V1N			
					558339	VPPM-6F-L-1-F-0L6H-V1P-C1			
				0.006 ... 0.6 MPa	571286	VPPM-8F-L-1-F-0L6H-V1P-S1			
					542246	VPPM-6F-L-1-F-0L6H-V1N			
					571285	VPPM-8F-L-1-F-0L6H-V1P			
					558347	VPPM-6F-L-1-F-0L6H-V1N-C1			
					571287	VPPM-8F-L-1-F-0L6H-V1P-S1C1			
					542240	VPPM-6F-L-1-F-0L6H-V1N-S1			
					542241	VPPM-6F-L-1-F-0L10H-V1N-S1			
				0.01 ... 1 MPa	542247	VPPM-6F-L-1-F-0L10H-V1N			
					542233	VPPM-6L-L-1-G18-0L2H-V1N			
				G1/8	0.002 ... 0.2 MPa	542227	VPPM-6L-L-1-G18-0L2H-V1N-S1		
						0.006 ... 0.6 MPa	542228	VPPM-6L-L-1-G18-0L6H-V1N-S1	
							554043	VPPM-6L-L-1-G18-0L6H-V1P	
			575121		VPPM-6L-L-1-G18-0L6H-V1P-S1C1				
			554039		VPPM-6L-L-1-G18-0L6H-V1P-S1				
			558337		VPPM-6L-L-1-G18-0L6H-V1P-C1				
			542234		VPPM-6L-L-1-G18-0L6H-V1N				
			558346		VPPM-6L-L-1-G18-0L6H-V1N-C1				
			571448		VPPM-6L-L-1-G18-0L6H-V1N-S1C1				
			0.01 ... 1 MPa		558345	VPPM-6L-L-1-G18-0L10H-V1N-S1C1			
					554044	VPPM-6L-L-1-G18-0L10H-V1P			
					558335	VPPM-6L-L-1-G18-0L10H-V1P-S1C1			
					542229	VPPM-6L-L-1-G18-0L10H-V1N-S1			
					542235	VPPM-6L-L-1-G18-0L10H-V1N			
					554040	VPPM-6L-L-1-G18-0L10H-V1P-S1			
				575125	VPPM-6L-L-1-G18-0L10H-V1P-C1				
			G1/4	0.006 ... 0.6 MPa	571296	VPPM-8L-L-1-G14-0L6H-V1P			
					571294	VPPM-8L-L-1-G14-0L6H-V1N-S1			
					571295	VPPM-8L-L-1-G14-0L6H-V1N-S1C1			
					571297	VPPM-8L-L-1-G14-0L6H-V1P-S1			
					571298	VPPM-8L-L-1-G14-0L6H-V1P-S1C1			
				0.01 ... 1 MPa	571293	VPPM-8L-L-1-G14-0L10H-V1P-S1C1			
					571291	VPPM-8L-L-1-G14-0L10H-V1N-S1			
					571292	VPPM-8L-L-1-G14-0L10H-V1P-S1			
					G1/2	0.006 ... 0.6 MPa	575240	VPPM-12L-L-1-G12-0L6H-V1P-S1	
							575238	VPPM-12L-L-1-G12-0L6H-V1N-S1	
			575241	VPPM-12L-L-1-G12-0L6H-V1P-S1C1					
			0.01 ... 1 MPa	575239		VPPM-12L-L-1-G12-0L6H-V1N-S1C1			
				575236		VPPM-12L-L-1-G12-0L10H-V1P-S1			
				575235		VPPM-12L-L-1-G12-0L10H-V1N-S1			
			575237	VPPM-12L-L-1-G12-0L10H-V1P-S1C1					
			4 - 20 mA	4 - 20 mA	1.25%FS	Sub-base	0.002 ... 0.2 MPa	542248	VPPM-6F-L-1-F-0L2H-A4N
								542242	VPPM-6F-L-1-F-0L2H-A4N-S1
								0.006 ... 0.6 MPa	558340
							571282		VPPM-8F-L-1-F-0L6H-A4P
							542243		VPPM-6F-L-1-F-0L6H-A4N-S1
							571284		VPPM-8F-L-1-F-0L6H-A4P-S1C1
							571283		VPPM-8F-L-1-F-0L6H-A4P-S1
542249	VPPM-6F-L-1-F-0L6H-A4N								
542244	VPPM-6F-L-1-F-0L10H-A4N-S1								
0.01 ... 1 MPa	542250	VPPM-6F-L-1-F-0L10H-A4N							
	G1/8	0.002 ... 0.2 MPa					542230	VPPM-6L-L-1-G18-0L2H-A4N-S1	
542236							VPPM-6L-L-1-G18-0L2H-A4N		
0.006 ... 0.6 MPa		542231					VPPM-6L-L-1-G18-0L6H-A4N-S1		
		554045					VPPM-6L-L-1-G18-0L6H-A4P		
		542237					VPPM-6L-L-1-G18-0L6H-A4N		
		575128	VPPM-6L-L-1-G18-0L6H-A4P-S1C1						
558338	VPPM-6L-L-1-G18-0L6H-A4P-C1								

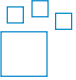
Ordering data

VPPM with analogue interface						
Signal range analogue input	Signal range analogue output	Total accuracy	Pneumatic connection, port 1	Pressure regulation range	Part no.	Type
4 - 20 mA	4 - 20 mA	1.25%FS	G1/8	0.006 ... 0.6 MPa	554041	VPPM-6L-L-1-G18-0L6H-A4P-S1
					554042	VPPM-6L-L-1-G18-0L10H-A4P-S1
				542232	VPPM-6L-L-1-G18-0L10H-A4N-S1	
				542238	VPPM-6L-L-1-G18-0L10H-A4N	
				554046	VPPM-6L-L-1-G18-0L10H-A4P	
				558336	VPPM-6L-L-1-G18-0L10H-A4P-S1C1	
			G1/4	0.006 ... 0.6 MPa	571302	VPPM-8L-L-1-G14-0L6H-A4N-S1
					571299	VPPM-8L-L-1-G14-0L6H-A4P
					571303	VPPM-8L-L-1-G14-0L6H-A4N-S1C1
					571300	VPPM-8L-L-1-G14-0L6H-A4P-S1
					571301	VPPM-8L-L-1-G14-0L6H-A4P-S1C1
				0.01 ... 1 MPa	571288	VPPM-8L-L-1-G14-0L10H-A4N-S1
					571289	VPPM-8L-L-1-G14-0L10H-A4P-S1
					571290	VPPM-8L-L-1-G14-0L10H-A4P-S1C1
					575243	VPPM-12L-L-1-G12-0L6H-A4P-S1C1
					575242	VPPM-12L-L-1-G12-0L6H-A4P-S1
			G1/2	0.006 ... 0.6 MPa	575244	VPPM-12L-L-1-G12-0L6H-A4N-S1
					575245	VPPM-12L-L-1-G12-0L6H-A4N-S1C1
					575232	VPPM-12L-L-1-G12-0L10H-A4N-S1
				0.01 ... 1 MPa	575234	VPPM-12L-L-1-G12-0L10H-A4P-S1C1
					575233	VPPM-12L-L-1-G12-0L10H-A4P-S1

VPPM with analogue interface, for valve manifold				
Total accuracy	Pneumatic connection, port 1	Pressure regulation range	Part no.	Type
1.25%FS	Sub-base	0.002 ... 0.2 MPa	572407	VPPM-8TA-L-1-F-0L2H-S1C1
			542217	VPPM-6TA-L-1-F-0L2H-S1
			542220	VPPM-6TA-L-1-F-0L2H
			572410	VPPM-8TA-L-1-F-0L2H-C1
		0.006 ... 0.6 MPa	542218	VPPM-6TA-L-1-F-0L6H-S1
			572408	VPPM-8TA-L-1-F-0L6H-S1C1
			572411	VPPM-8TA-L-1-F-0L6H-C1
			542221	VPPM-6TA-L-1-F-0L6H
		0.01 ... 1 MPa	572412	VPPM-8TA-L-1-F-0L10H-C1
			542219	VPPM-6TA-L-1-F-0L10H-S1
			542222	VPPM-6TA-L-1-F-0L10H
			572409	VPPM-8TA-L-1-F-0L10H-S1C1

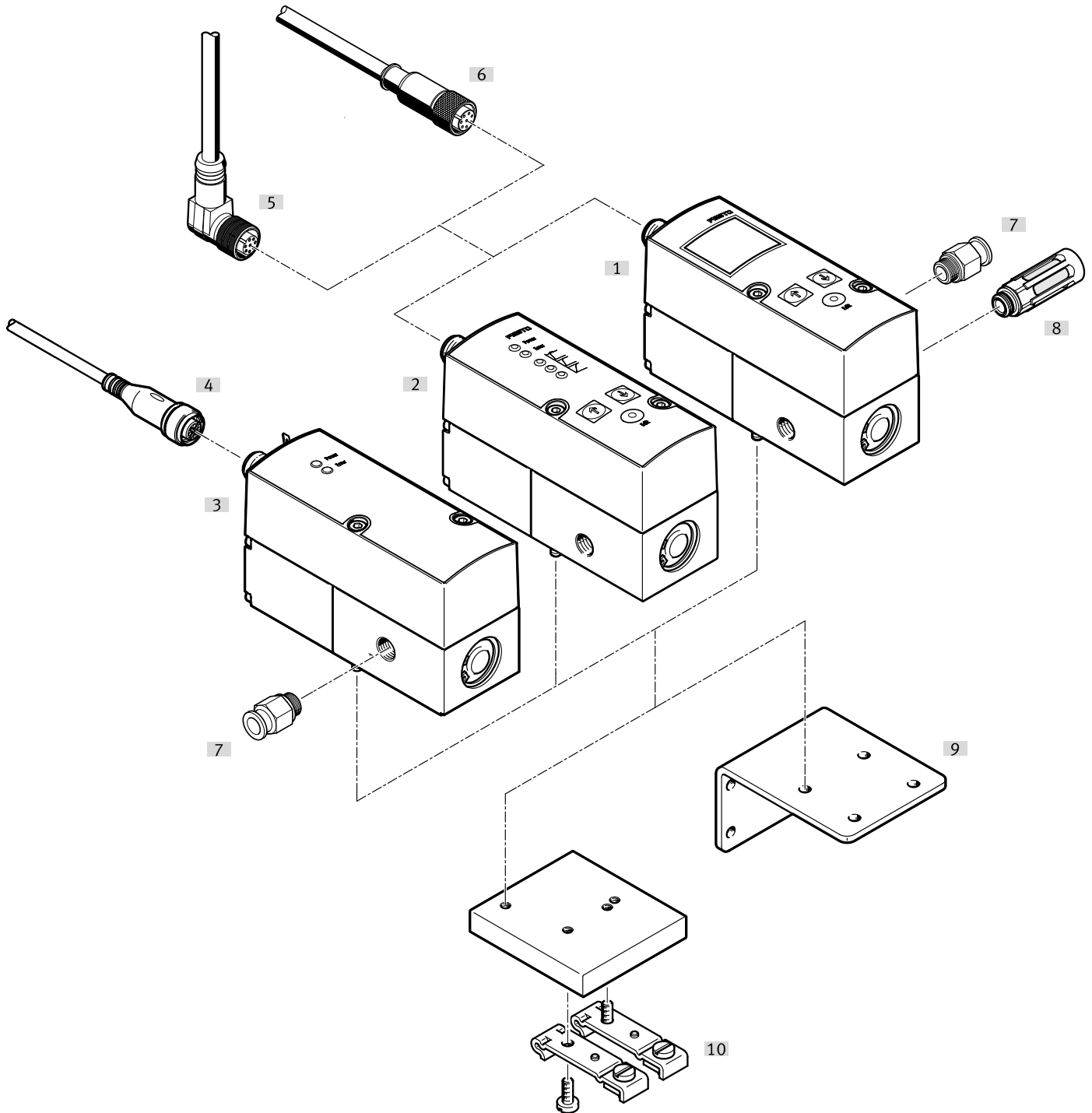
VPPM with IO-Link® interface					
Total accuracy	Pneumatic connection, port 1	Pressure regulation range	Part no.	Type	
1.25%FS	Sub-base	0.002 ... 0.2 MPa	8031107	VPPM-6F-L-1-F-0L2H-LK-S1	
			8031110	VPPM-8F-L-1-F-0L2H-LK-S1	
		0.006 ... 0.6 MPa	8031111	VPPM-8F-L-1-F-0L6H-LK-S1	
			8031108	VPPM-6F-L-1-F-0L6H-LK-S1	
			0.01 ... 1 MPa	8031112	VPPM-8F-L-1-F-0L10H-LK-S1
		8031109		VPPM-6F-L-1-F-0L10H-LK-S1	
		G1/8	0.002 ... 0.2 MPa	8024258	VPPM-6L-L-1-G18-0L2H-LK-S1
			0.006 ... 0.6 MPa	8024259	VPPM-6L-L-1-G18-0L6H-LK-S1
			0.01 ... 1 MPa	8024260	VPPM-6L-L-1-G18-0L10H-LK-S1
	G1/4	0.002 ... 0.2 MPa	8024261	VPPM-8L-L-1-G14-0L2H-LK-S1	
		0.006 ... 0.6 MPa	8024262	VPPM-8L-L-1-G14-0L6H-LK-S1	
		0.01 ... 1 MPa	8024263	VPPM-8L-L-1-G14-0L10H-LK-S1	
	G1/2	0.002 ... 0.2 MPa	8024264	VPPM-12L-L-1-G12-0L2H-LK-S1	
		0.006 ... 0.6 MPa	8024265	VPPM-12L-L-1-G12-0L6H-LK-S1	
		0.01 ... 1 MPa	8024266	VPPM-12L-L-1-G12-0L10H-LK-S1	

Ordering data

Modular product system			
	Nominal size, supply	Part no.	Type
	6 mm	543432	VPPM-6-...
	8 mm	543433	VPPM-8
	12 mm	543435	VPPM-12

Peripherals

Individual valve VPPM-6L..., VPPM-8L...



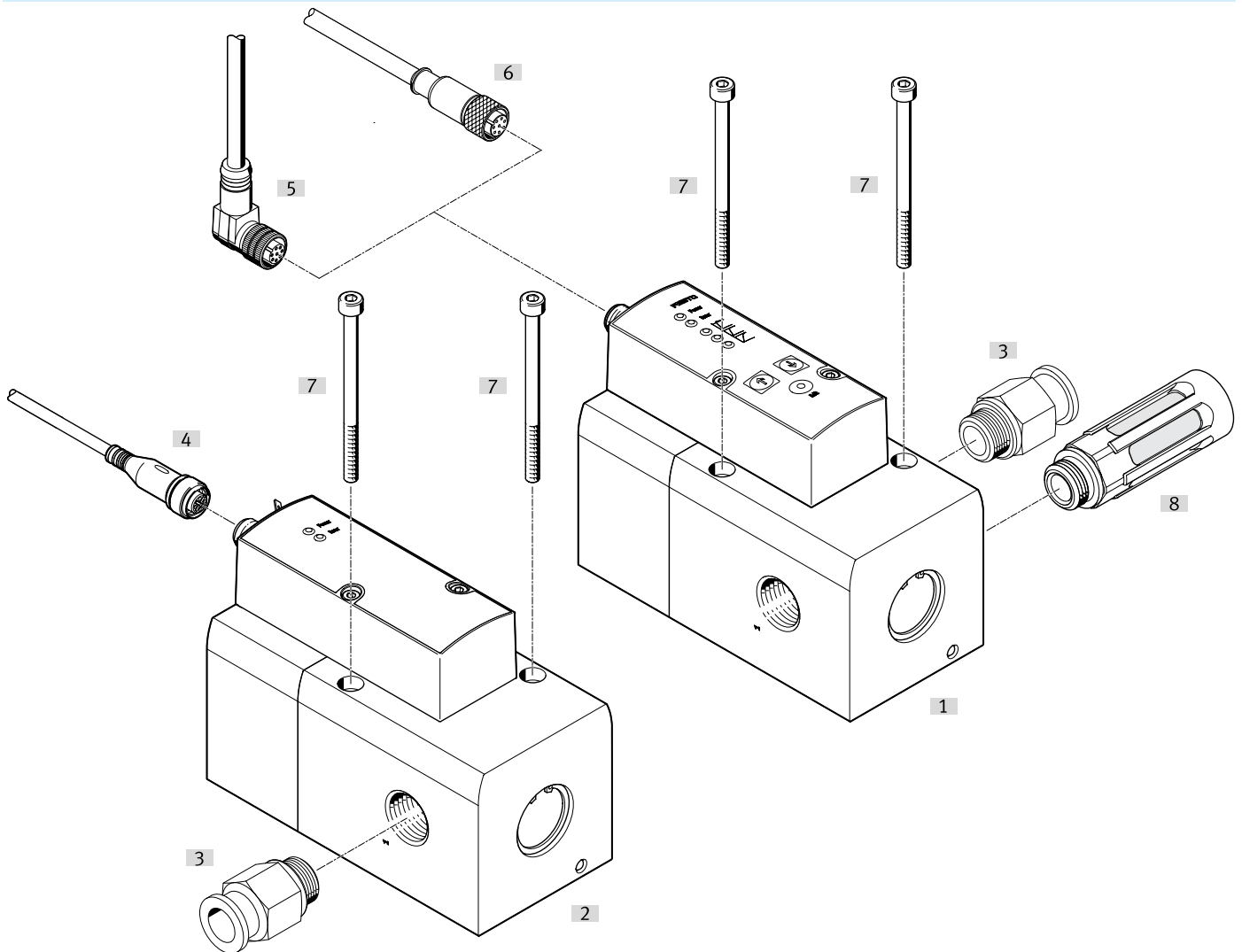
Accessories			→ Page/Internet
Type/order code	Description		
[1]	Proportional-pressure regulator with LCD	Operator unit with LCD	–
[2]	Proportional-pressure regulator with LED	Operator unit with LED	–
[3]	Proportional-pressure regulator with LED, with IO-Link®	Operator unit with LED, IO-Link®	–
[4]	Connecting cable	–	44
[5]	Angled plug socket with cable	–	44
[6]	Plug socket with cable, straight	–	43
[7]	Push-in fitting	For connecting tubing with standard O.D.	qs
[8]	Silencer	For mounting in exhaust ports	u
[9]	Bracket	For mounting the valve	43

Peripherals

Accessories		→ Page/Internet
Type/order code	Description	
[10] H-rail mounting	For mounting on an H-rail	43

Peripherals

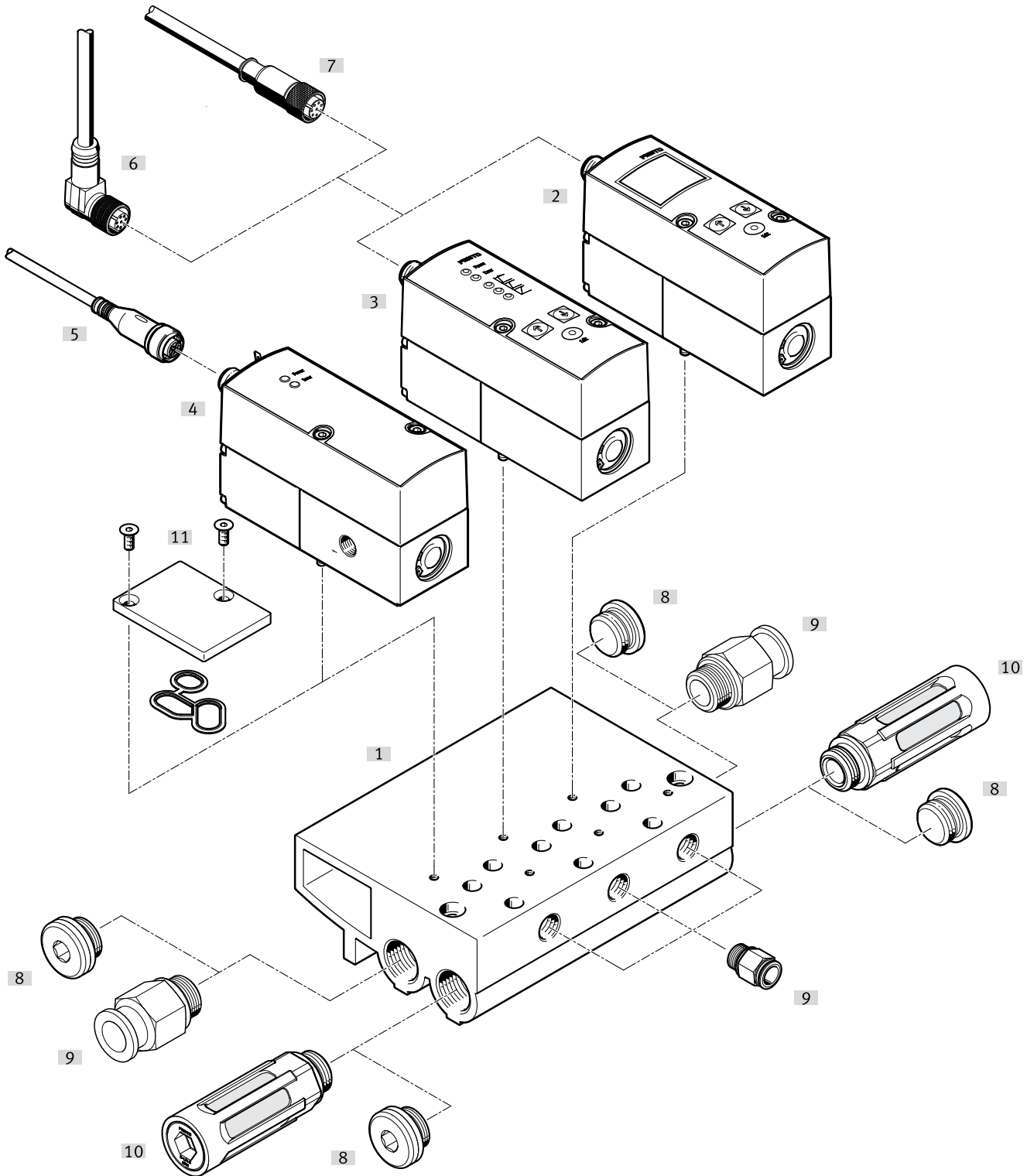
Individual valve VPPM-12L...



Accessories			→ Page/Internet
Type/order code	Description		
[1] Proportional-pressure regulator with LED or LCD	Operator unit with LED or LCD	-	-
[2] Proportional-pressure regulator with LED, with IO-Link®	Operator unit with LED, IO-Link®	-	-
[3] Push-in fitting	For connecting tubing with standard O.D.	qs	
[4] Connecting cable	-	44	
[5] Angled plug socket with cable	-	44	
[6] Plug socket with cable, straight	-	43	
[7] Retaining screws	-	-	
[8] Silencer	For mounting in exhaust ports	u	

Peripherals

Valve manifold assembly with VPPM-6F..., VPPM-8F...



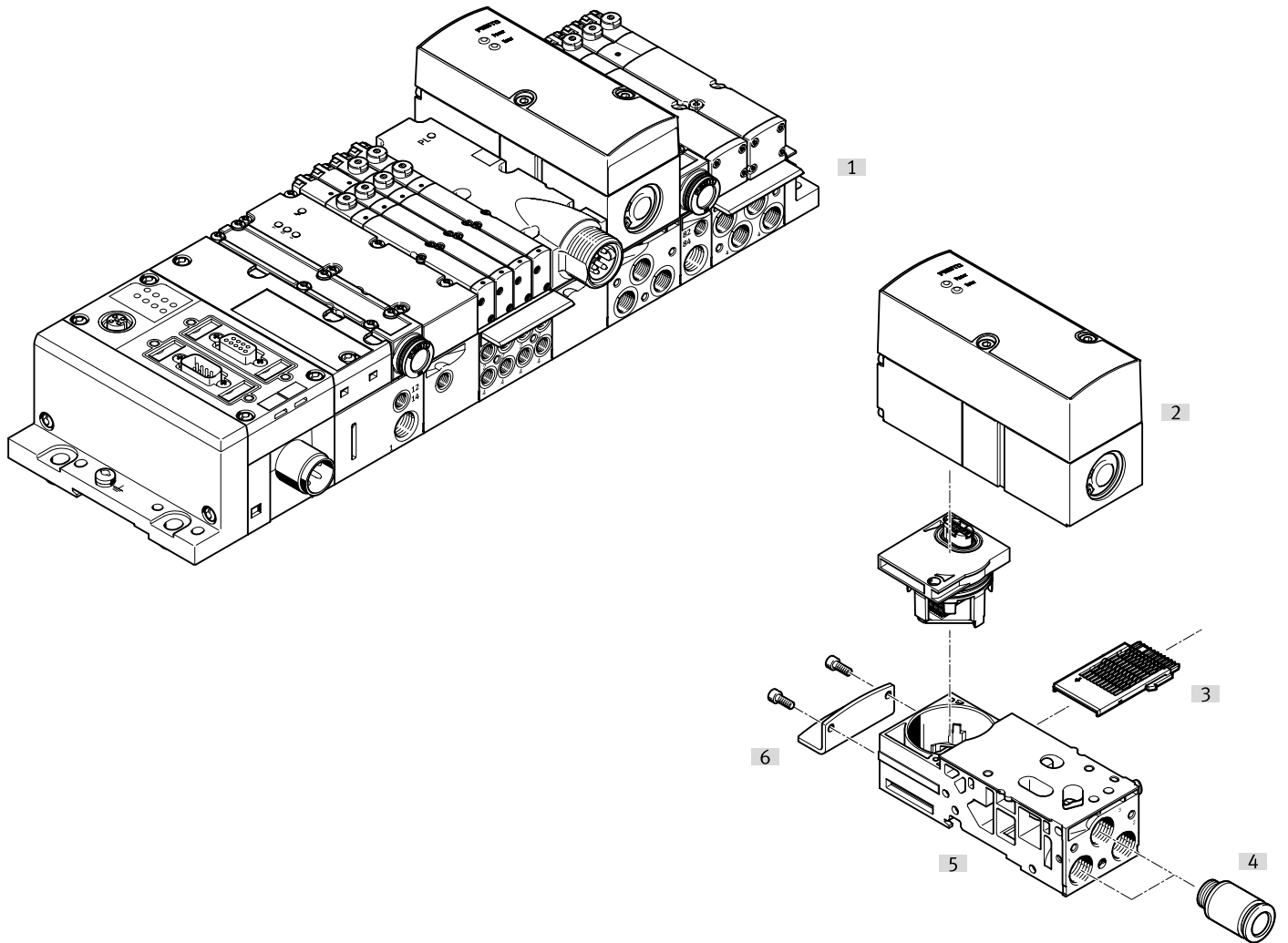
Accessories			→ Page/Internet
Type/order code	Description		
[1]	Manifold block VABM	–	43
[2]	Proportional-pressure regulator with LCD	Operator unit with LCD	–
[3]	Proportional-pressure regulator with LED	Operator unit with LED	–
[4]	Proportional-pressure regulator with LED, with IO-Link®	Operator unit with LED, IO-Link®	–
[5]	Connecting cable	–	44
[6]	Angled plug socket with cable	–	44

Peripherals

Accessories		→ Page/Internet
Type/order code	Description	
[7]	Plug socket with cable, straight	43
[8]	Blanking plug	b
[9]	Push-in fitting	qs
[10]	Silencer	u
[11]	Cover plate	43

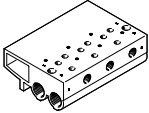
Peripherals

VPPM-6TA..., VPPM-8TA... for valve terminal MPA-S

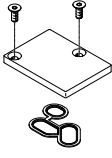


Accessories		→ Page/Internet
Type/order code	Description	
[1] Valve terminal MPA-S	With fieldbus connection and VPPM	mpas
[2] Proportional pressure regulator	For valve terminal MPA-S	mpas
[3] Electrical interlinking module	For the sub-base of the proportional-pressure regulator	mpas
[4] Push-in fitting	–	qs
[5] Sub-base	Without electrical linking module or electrical module	mpas
[6] Mounting	–	mpas


Accessories

Manifold block				
	Product weight	Corrosion resistance class CRC ¹⁾	Part no.	Type
	900 g	2 - Moderate corrosion stress	542252	VABM-P1-SF-G14-2-P3
	1,230 g		542253	VABM-P1-SF-G14-3-P3
	1,565 g		542254	VABM-P1-SF-G14-4-P3

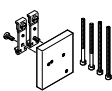
1) More information www.festo.com/x/topic/crc

Cover plate				
	Product weight	Corrosion resistance class CRC ¹⁾	Part no.	Type
	35 g	1 - Low corrosion stress	558350	VABB-P1


1) More information www.festo.com/x/topic/crc


Bracket				
	Product weight	Corrosion resistance class CRC ¹⁾	Part no.	Type
	71 g	1 - Low corrosion stress	542251	VAME-P1-A

1) More information www.festo.com/x/topic/crc

H-rail mounting				
	Product weight	Corrosion resistance class CRC ¹⁾	Part no.	Type
	150 g	1 - Low corrosion stress	542255	VAME-P1-T


1) More information www.festo.com/x/topic/crc

Connecting cable, straight socket							
	Electrical connection 1, connection type	Electrical connection 1, cable outlet	Electrical connection 1, number of connections/cores	Electrical connection 1, connector system	Cable length	Part no.	Type
	Socket	Straight	8	M12x1, A-coded to EN 61076-2-101	2 m	525616	SIM-M12-8GD-2-PU
					5 m	525618	SIM-M12-8GD-5-PU
					10 m	570008	SIM-M12-8GD-10-PU


Connecting cable, angled socket							
	Electrical connection 1, connection type	Electrical connection 1, cable outlet	Electrical connection 1, number of connections/cores	Electrical connection 1, connector system	Cable length	Part no.	Type
	Socket	Angled	8	M12x1, A-coded to EN 61076-2-101	2 m	542256	NEBU-M12W8-K-2-N-LE8

Accessories


Connecting cable, angled socket

	Electrical connection 1, connection type	Electrical connection 1, cable outlet	Electrical connection 1, number of connections/cores	Electrical connection 1, connector system	Cable length	Part no.	Type
	Socket	Angled	8	M12x1, A-coded to EN 61076-2-101	5 m	542257	NEBU-M12W8-K-5-N-LE8
					10 m	570007	NEBU-M12W8-K-10-N-LE8


Connecting cable, one straight socket and one straight plug

	Electrical connection 1, connection type	Electrical connection 1, cable outlet	Electrical connection 1, number of connections/cores	Electrical connection 1, connector system	Cable length	Part no.	Type
	Socket	Straight	8	M12x1, A-coded to EN 61076-2-101	2 m	553575	NEBV-M12G8-K-2-M12G4
					5 m	553576	NEBV-M12G8-K-5-M12G4

Connecting cable, one straight socket and two straight plugs

	Electrical connection 1, connection type	Electrical connection 1, cable outlet	Electrical connection 1, number of connections/cores	Electrical connection 1, connector system	Part no.	Type
	Socket	Straight	8	M12x1, A-coded to EN 61076-2-101	547888	NEBV-M12G8-KD-3-M12G4

Connecting cable for IO-Link® interface

	Electrical connection 1, connection type	Electrical connection 1, cable outlet	Electrical connection 1, number of connections/cores	Electrical connection 1, connector system	Degree of protection	Cable length	Part no.	Type
	Socket	Straight	5	M12x1, A-coded to EN 61076-2-101	IP65, IP68, IP69K	5 m	574321	NEBU-M12G5-E-5-Q8N-M12G5
						7.5 m	574322	NEBU-M12G5-E-7.5-Q8N-M12G5
						10 m	574323	NEBU-M12G5-E-10-Q8N-M12G5