

Proximity switch SMPO-1

FESTO



Type code

001	Series
SMPO-1	Proximity switch, block design, magnetic

002	Pneumatic connection
H	Barbed connector, 3 mm

003	Generation
B	Series B

Datasheet

General technical data

Valve function	3/2
Measuring principle	Magnetic
Design	Block design
Operating medium	Compressed air to ISO 8573-1:2010 [6:4:4]
Note on operating and pilot medium	Lubricated operation not possible
Operating pressure	2 ... 6 bar
Pneumatic connection	Barbed fitting PK-3
Ambient temperature	-15 ... 60°C
LABS (PWIS) conformity	VDMA24364-B2-L
Product weight	14 g
RoHS status	RoHS-compliant in accordance with EU directive
Exemption according to EU-RoHS annex III	Exception 6c

Input signal/measuring element

Measuring principle	Magnetic
Ambient temperature	-15 ... 60°C
Reproducibility of switching value ¹⁾	+/-0.2 mm

1) Only applicable to drives protected against rotation.

Switching output

Reproducibility of switching value	+/-0.2 mm
Switching status indication	Optical
Switch-on time	30 ms
Switch-off time	25 ms

Display/operation

Switching status indication	Optical
-----------------------------	---------

Mechanics

Type of mounting	With through-hole, With accessories
Material housing	Brass, PA, POM
Product weight	14 g

Immission/emission

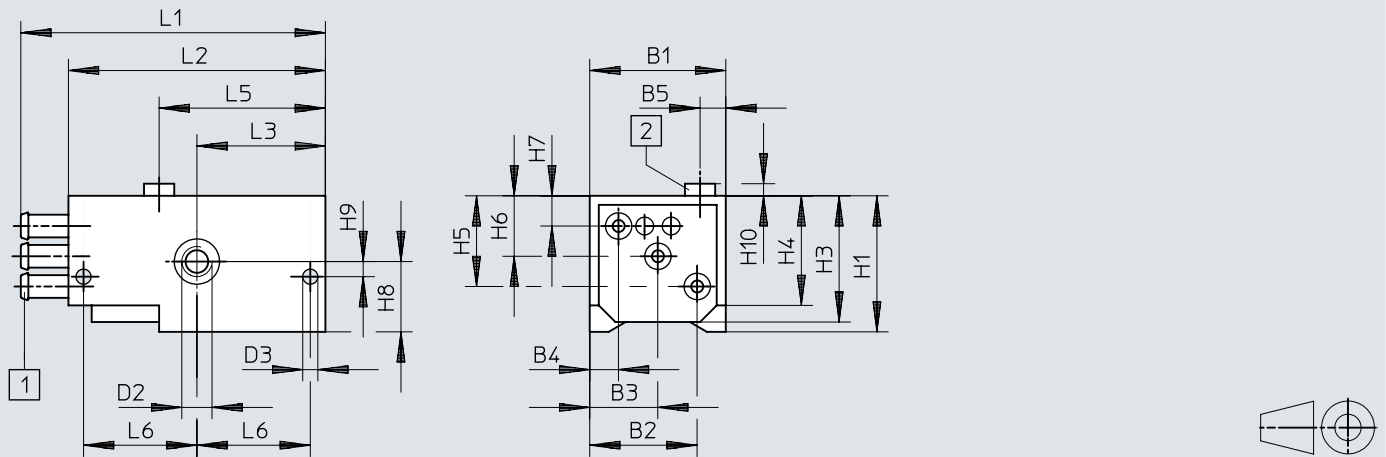
Degree of protection	IP65
Explosion protection	Zone 1 (ATEX), Zone 2 (ATEX), Zone 21 (ATEX), Zone 22 (ATEX)
ATEX declaration	For zone 1, 2, 21, 22
Corrosion resistance class CRC ¹⁾	1 - Low corrosion stress

1) More information: www.festo.com/x/topic/crc

Dimensions

Dimensions – SMPO-1-H-B

Download CAD data → www.festo.com



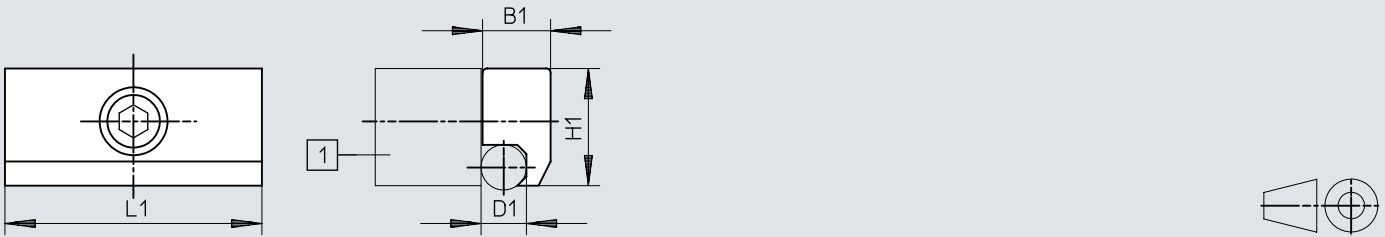
[1] Barbed connector for tubing, inside- \varnothing 3 mm

[2] Switching status indication

	B1	B2	B3	B4	B5	D2	D3 \varnothing	H1	H3	H4	H5
	-0,2	$\pm 0,2$	$\pm 0,2$	$\pm 0,1$	$\pm 0,1$		$\pm 0,1$	$\pm 0,2$	$\pm 0,2$	$\pm 0,2$	$\pm 0,2$
SMPO-1-H-B	18	14,2	9	3,8	3,4	M4	2	18	16,7	14,5	12
	H6	H7	H8	H9	H10	L1	L2	L3	L5	L6	
	$\pm 0,2$	$\pm 0,1$	$\pm 0,2$	$\pm 0,1$	$\pm 0,1$		$\pm 0,3$	$\pm 0,2$	$\pm 0,2$	$\pm 0,2$	
SMPO-1-H-B	8	4	9,3	2	1,6	$\sim 40,3$	34	17	22	15	

Dimensions

Dimensions – Mounting kit SMB-1

Download CAD data → www.festo.com

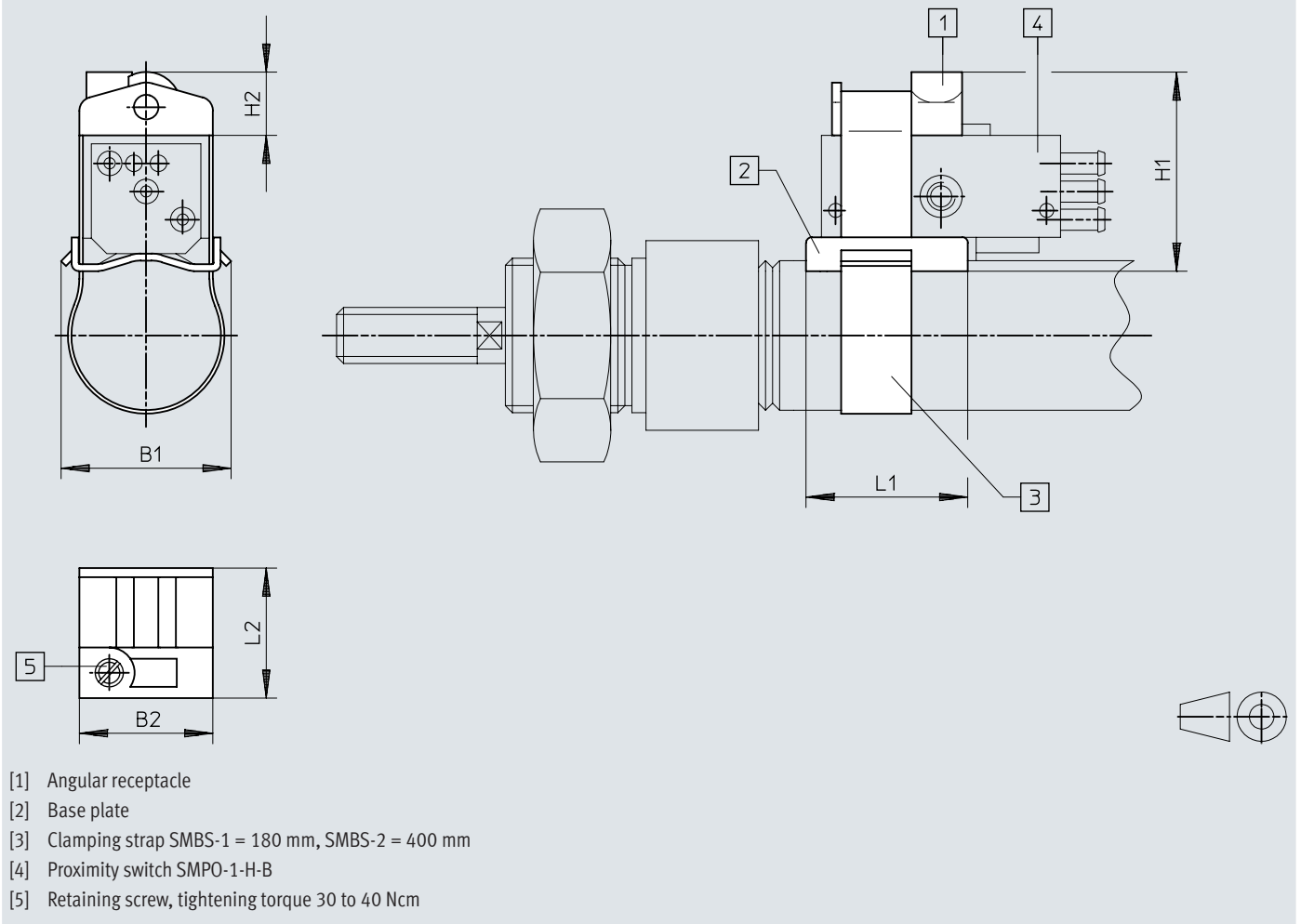
[1] Proximity switch SMEO, SMT0, SMPO-1

		B1	D1 ∅	H1	L1
SMB-1	32 ... 100	9	6	15,5	34

Dimensions


Dimensions – Mounting kit SMBS

Download CAD data → www.festo.com



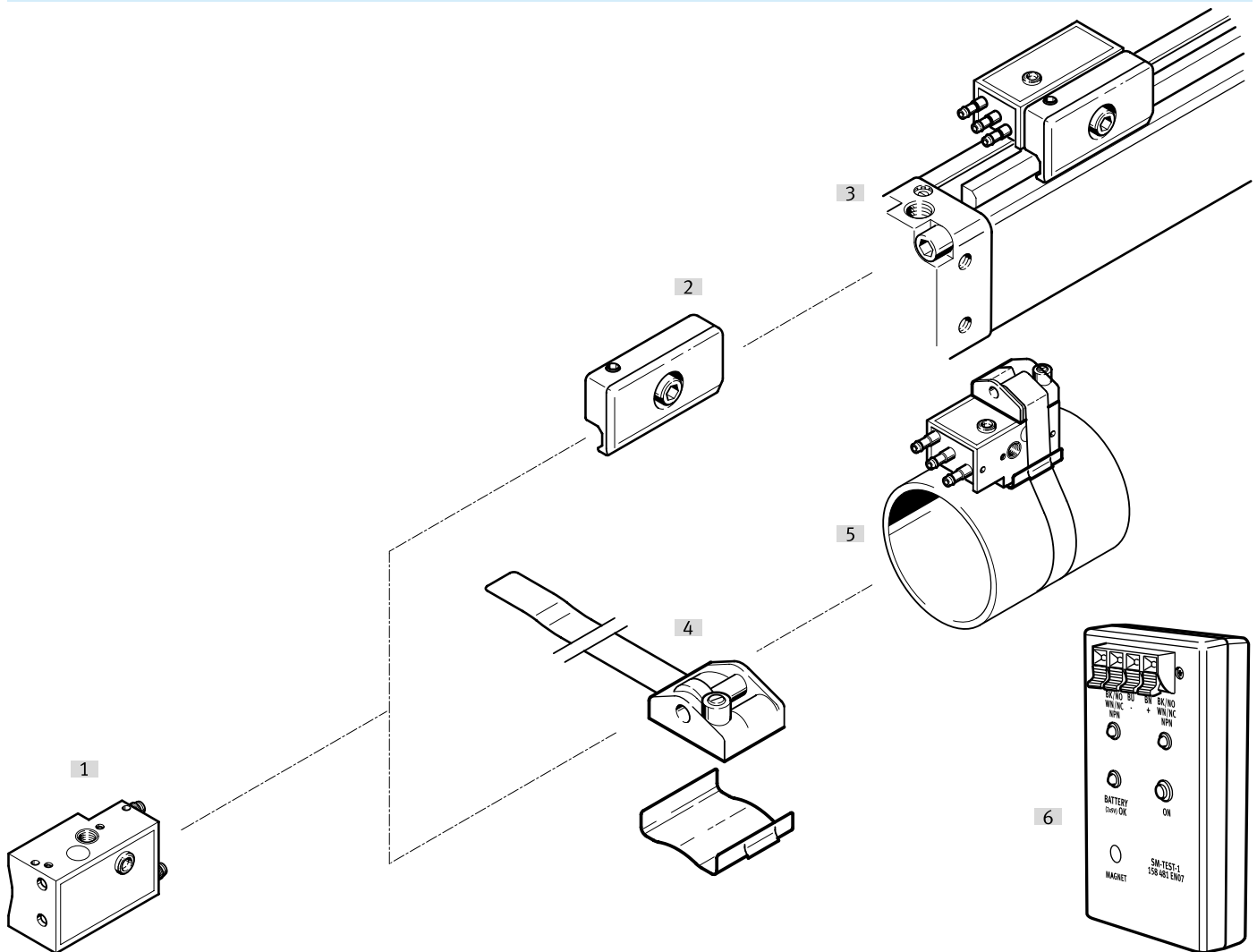
		B1	B2	H1	H2	L1	L2
SMBS-1	8 ... 25	24,2	19	~29	9	23	18,5
SMBS-2	32 ... 100						

Ordering data

Ordering data					
	Valve function	Pneumatic connection	ATEX declaration	Part no.	Type
	3/2	Barbed fitting PK-3	For zone 1, 2, 21, 22	31008	SMPO-1-H-B

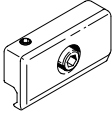
Peripherals

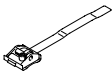
Peripherals overview

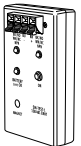


Accessories			→ Page/Internet
Type/order code	Description		
[1] Proximity switch SMPO-1, pneumatic	Pneumatic system		sm-po-1
[2] Mounting kit SMB-1	<ul style="list-style-type: none"> • For drives with \varnothing 6 mm tie rod or mounting strip • For standards-based cylinder DSBG 		9
[3] Flat cylinder DZH	\varnothing 32 ... 63 mm		–
[4] Mounting kit SMBS	For round cylinders		9
[5] Round cylinders	\varnothing 8 ... 100 mm		–
[6] Sensor tester SM-TEST-1	Checking that the proximity switches are functioning using the built-in voltage source. Adjusting proximity switches on the cylinder		sm-test-1

Accessories

Mounting kit SMB-1					
	Size	RoHS status	LABS (PWIS) conformity	Part no.	Type
	1	RoHS-compliant in accordance with EU directive	VDMA24364-B2-L	11886	SMB-1

Mounting kit SMBS					
	Size	RoHS status	LABS (PWIS) conformity	Part no.	Type
	1	RoHS-compliant in accordance with EU directive	VDMA24364-B2-L	151225	SMBS-1
	2			151226	SMBS-2

Sensor tester SM-Test-1					
	Operational voltage range DC	Ambient temperature	Degree of protection	Part no.	Type
	12 ... 20 V	0 ... 40 °C	IP20	158481	SM-TEST-1