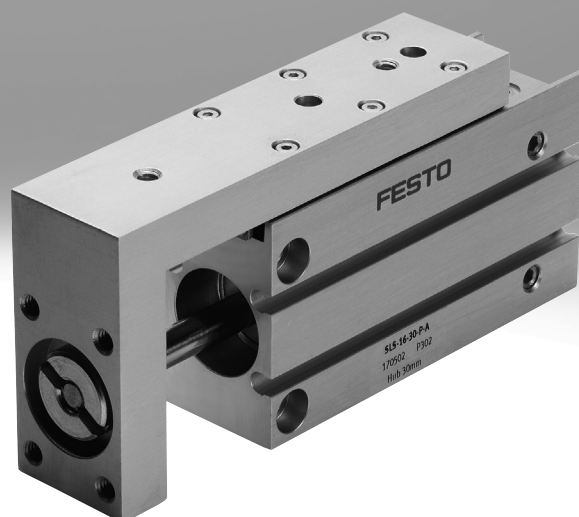


Mini slides SLS/SLF

FESTO



Key features

General

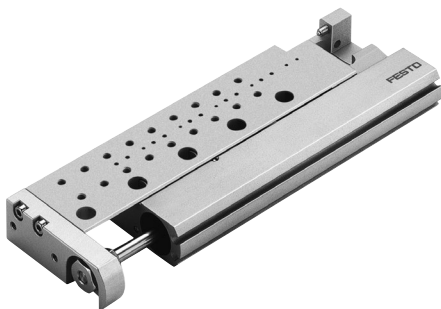
- Double-acting drives
- Precise and rigid guide
- Versatile air connections
- Sensors can be integrated
- Very flexible thanks to a wide range of assembly and connection options on:
 - Drive body
 - Slide
 - Yoke plate

Mini slide SLS



- Slim design
- Integrated end-position cushioning:
 - Elastic cushioning components

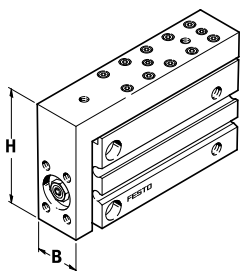
Mini slide SLF



- Flat design
- Adjustable end-position cushioning
 - Elastic cushioning components
- Versatile combination options on:
 - Drives
 - System product for handling and assembly technology

The slim mini slide

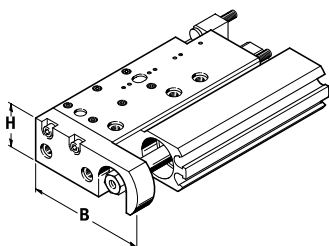
SLS



Piston Ø	Width (W)	x	Height (H)
6 mm	16	x	39 mm
10 mm	20	x	45 mm
16 mm	24	x	51 mm

The flat mini slides

SLF

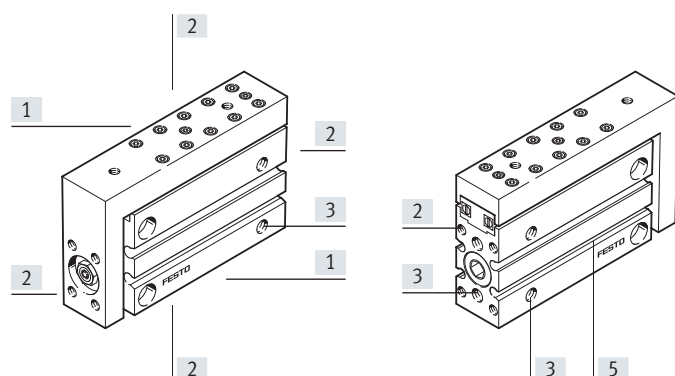


Piston Ø	Width (W)	x	Height (H)
6 mm	46	x	11 mm
10 mm	48	x	15 mm
16 mm	62	x	21 mm

Key features

Versatility

Mini slide SLS



[1] Mounting surface:

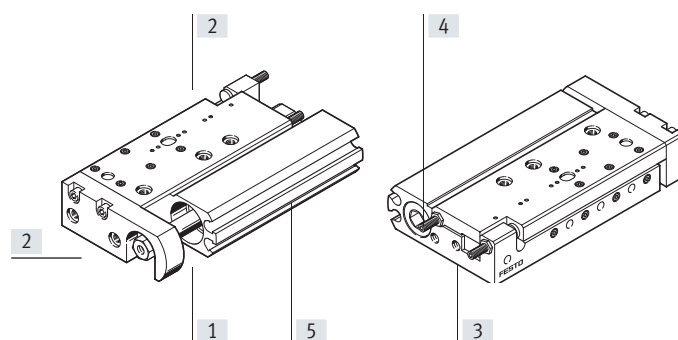
The drive can be directly attached using the through-holes or threaded holes (with appropriate screws).

[2] Mounting surface:

Devices and loads can be directly attached using the threaded holes in the slide and the yoke plate (with appropriate screws).

[3] Versatile air connections

Mini slide SLF



[4] Adjustable end-position cushioning systems on SLF-...-P-A with elastic cushioning elements in the end positions

[5] Sensors can be integrated

Sensor slots for one or more proximity switches SME/SMT-10.

For space-saving, reliable sensing of piston positions. Proximity switches can be freely moved and clamped in the sensor slots provided.

Type codes

001	Series
SLS	Mini slide, double-acting

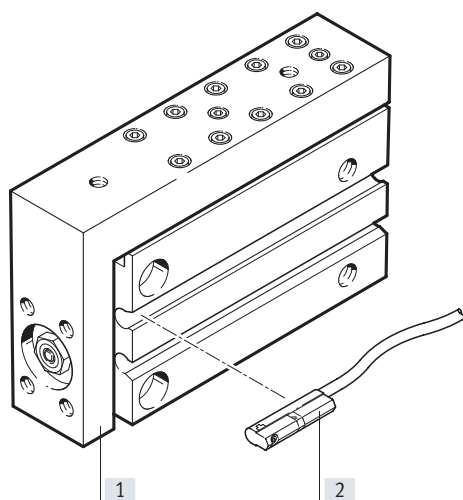
002	Size
6	6
10	10
16	16

003	Stroke
5	5
10	10
15	15
20	20
25	25
30	30

004	Cushioning
P	Elastic cushioning rings/plates on both sides

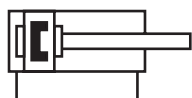
005	Position sensing
A	For proximity sensor

Peripherals overview



Accessories		Description	→ Page/Internet
[1]	Mini slide SLS	Double-acting	6
[2]	Proximity switch SME/SMT-10	Sensor slots for one or several proximity switches	22
-	One-way flow control valve GRLA	For regulating speed	22
-	Push-in fitting QS	For connecting tubing with standard O.D.	qs

Datasheet



www.festo.com



Repair service
Piston \varnothing 16 mm



- \varnothing - Diameter
6 ... 16 mm
- | - Stroke length
5 ... 30 mm

General technical data			
Piston \varnothing	6	10	16
Pneumatic connection	M5		
Design	Piston, piston rod, slide, yoke, ball cage guide		
Guide	Ball bearing-guided		
Cushioning	Non-adjustable at both ends		
Position sensing	For proximity switch		
Type of mounting	Via through-hole With female thread		
Mounting position	Any		
Max. advancing speed	[m/s]	0.5 ¹⁾	0.8
Max. retracting speed	[m/s]	0.5 ¹⁾	0.8

1) Must be throttled externally.

Operating and environmental conditions			
Piston \varnothing	6	10	16
Operating medium	Compressed air to ISO 8573-1:2010 [7:4:4]		
Note on the operating/pilot medium	Lubricated operation possible (in which case lubricated operation will always be required)		
Operating pressure			
	[MPa]	0.15 ... 1	0.1 ... 1
	[bar]	1.5 ... 10	1 ... 10
	[psi]	21.75 ... 145	14.5 ... 145
Ambient temperature ¹⁾	[°C]	-20 ... +60	

1) Note operating range of proximity switches.

Forces [N] and impact energy [Nm]			
Piston \varnothing	6	10	16
Theoretical force at 6 bar, advancing	17	47	121
Theoretical force at 6 bar, retracting	13	39	104
Impact energy in the end positions ¹⁾	Cushioning P ²⁾	0.008	0.05
			0.15

1) The loads moved by the slides must be taken into consideration when calculating the end-position cushioning energy.

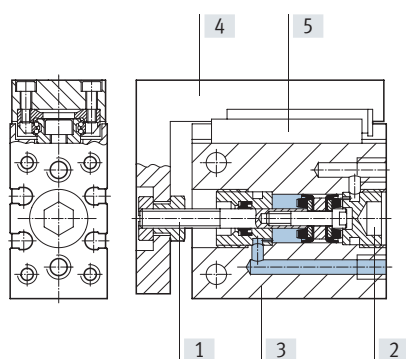
2) Note also the graph illustrating the piston speed as a function of payload → page 8

Datasheet

Weight [g]				
Piston \varnothing	Stroke	6	10	16
Product weight	5	97	130	225
	10	104	139	226
	15	113	149	256
	20	120	164	257
	25	131	182	291
	30	141	191	301
Moving mass	5	28	41	92
	10	28	44	92
	15	32	49	100
	20	33	51	101
	25	37	60	111
	30	38	62	115

Materials

Sectional view



Mini slide

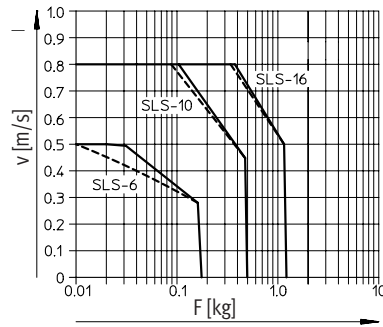
[1]	Piston rod	High-alloy steel
[2]	Cover	Anodised wrought aluminium alloy
[3]	Housing	High-alloy stainless steel
[4]	Slide	Anodised wrought aluminium alloy
[5]	Guide	Steel
-	Seals	Thermoplastic rubber, hydrogenated nitrile rubber, nitrile rubber
	Note on materials	RoHS-compliant
	LABS (PWIS) conformity	VDMA24364-B2-L

Datasheet

Piston speed v as a function of payload m

SLS-6/-10/-16-...-P-A

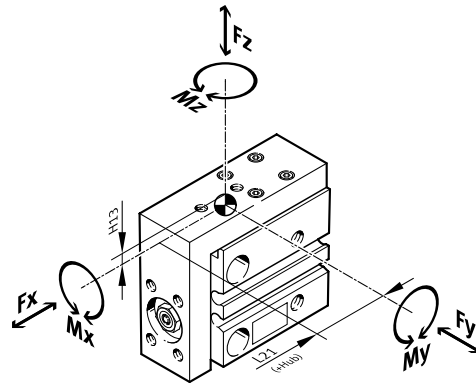
The piston speed as a function of payload illustrated in this graph must not be exceeded as the kinetic impact or residual energy in the end positions can result in damage to the drive.



— Min. stroke
- - - - - Max. stroke

Dynamic load values

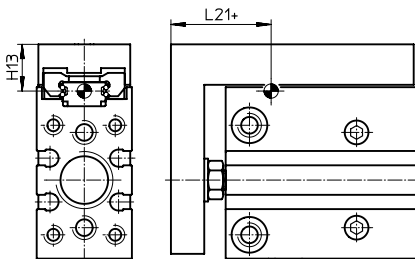
The indicated torques refer to the centre of the guide. These values must not be exceeded during dynamic operation. Special attention must be paid to the deceleration phase.



If the drive is simultaneously subjected to several of the forces and torques indicated below, the following equation must be satisfied in addition to the indicated maximum loads:

$$f_v = \frac{|F_{y1}|}{F_{y2}} + \frac{|F_{z1}|}{F_{z2}} + \frac{|M_{x1}|}{M_{x2}} + \frac{|M_{y1}|}{M_{y2}} + \frac{|M_{z1}|}{M_{z2}} \leq 1$$

Position of the guide centre



+ plus stroke length

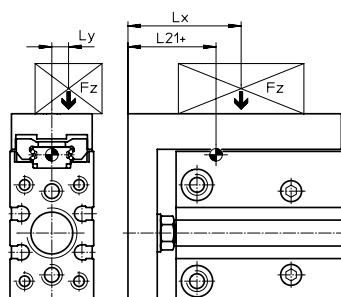
Datasheet

Permissible forces and torques						Geometric characteristics	
Piston \varnothing	Stroke	$F_{y_{max}}$ [N]	$F_{z_{max}}$ [N]	$M_{x_{max}}, M_{y_{max}}$ [Nm]	$M_{z_{max}}$ [Nm]	H13 [mm]	L21 [mm]
6							
	5	220	220	0.6	0.5	8.5	20.5
	10	170	170	0.6	0.5		20.5
	15	180	180	0.9	0.6		23
	20	160	160	0.9	0.6		23
	25	150	150	0.9	0.6		23
	30	140	140	0.9	0.6		23
10							
	5	220	220	0.6	0.5	10	27.5
	10	170	170	0.6	0.5		27.5
	15	170	170	1.1	0.7		36
	20	150	150	1.1	0.7		36
	25	140	140	1.1	0.7		36
	30	130	130	1.1	0.7		36
16							
	5	590	590	2.1	1.6	11	30.5
	10	470	470	2.1	1.6		30.5
	15	410	410	1.7	1.3		30.5
	20	370	370	1.7	1.3		30.5
	25	410	410	2.5	1.4		34
	30	390	390	2.5	1.4		34

Calculation example

Where:

To be determined:



Mini slide = SLS-10
 Stroke length = 20 mm
 Lever arm L_x = 5 mm
 Lever arm L_y = 20 mm
 Mass F_z = 0.495 kg
 Acceleration a = 0 m/s²

F_y, F_z, M_x, M_y, M_z
 and
 Functional operation with combined load

Solution:

L21 = 36 mm from table

$$F_y = 0 \text{ N}$$

$$F_z = m \times g = 0.495 \text{ kg} \times 9.81 \text{ m/s}^2 = 4.856 \text{ N}$$

$$M_x = m \times g \times L_y = 0.495 \text{ kg} \times 9.81 \text{ m/s}^2 \times 20 \text{ mm} = 0.097 \text{ Nm}$$

$$M_y = m \times g \times [(L21 + \text{Hub}) - L_x] = 0.495 \text{ kg} \times 9.81 \text{ m/s}^2 [(36 \text{ mm} + 20 \text{ mm}) - 5 \text{ mm}] = 0.248 \text{ Nm}$$

$$M_z = 0 \text{ Nm}$$

Combined load:

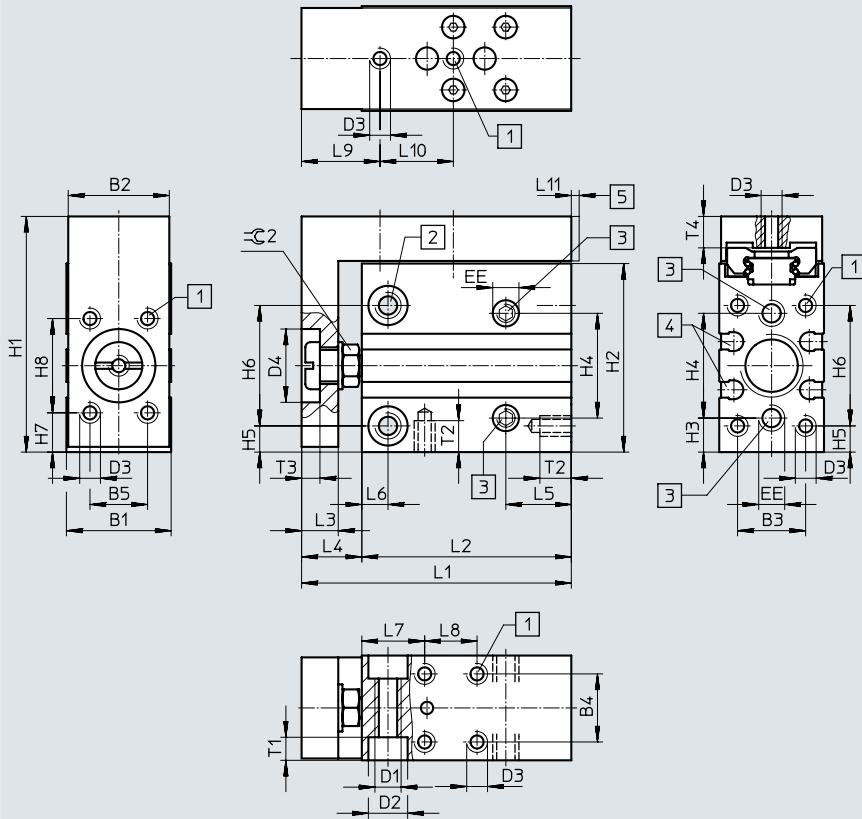
$$f_v = \frac{|F_{y1}|}{F_{y2}} + \frac{|F_{z1}|}{F_{z2}} + \frac{|M_{x1}|}{M_{x2}} + \frac{|M_{y1}|}{M_{y2}} + \frac{|M_{z1}|}{M_{z2}} \leq 1$$

$$= 0 + \frac{4,856 \text{ N}}{150 \text{ N}} + \frac{0,097 \text{ Nm}}{1,1 \text{ Nm}} + \frac{0,248 \text{ Nm}}{1,1 \text{ Nm}} + 0 = 0,345 \leq 1$$

Datasheet

Dimensions

Download CAD data → www.festo.com



- [1] Mounting thread
- [2] Through-holes and threaded holes for mounting the drive
- [3] Supply ports
- [4] Sensor slots for proximity switch SME/SMT-10
- [5] The slide may protrude in relation to the edge of the housing

∅	Stroke	B1	B2	B3	B4	B5	D1	D2 ∅	D3	D4 ∅ H11	EE	H1
[mm]	[mm]	+0.4										
6	5	16	15.3	10.5	10	9	M4	6	M3	12	M5	39
	10											
	15											
	20											
	25											
10	5	20	19.3	13	13	11	M5	7.5	M4	14	M5	45
	10											
	15											
	20											
	25											
16	5	24	23.3	17	17	16	M5	7.5	M4	19.5	M5	51
	10											
	15											
	20											
	25											
30												

Datasheet

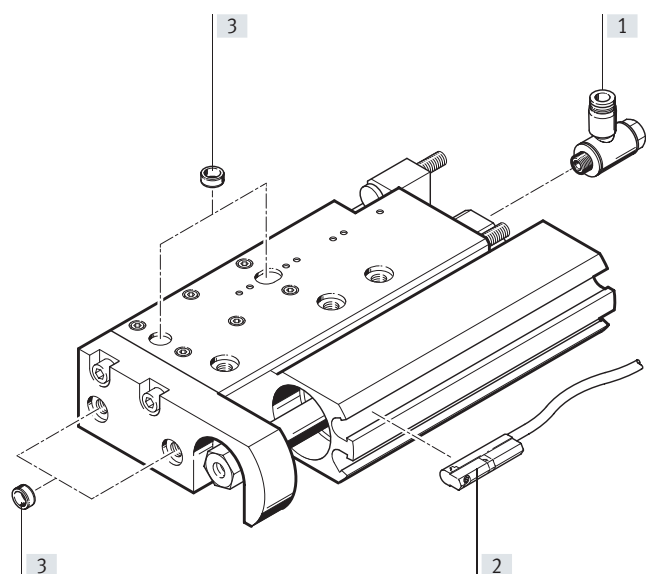
∅ [mm]	Stroke [mm]	H2	H3	H4	H5	H6	H7	H8	L1	L2	L3	L4	L5
6	5	31	6	17	5	19	7	15	46	37.5	6	8.5	10
	10								51	42.5			
	15								56	47.5			
	20								61	52.5			
	25								66	57.5			
	30								71	62.5			
10	5	36	6.5	20	5	23	7.5	18	51.5	40	7	11.5	12.5
	10								56.5	45			
	15								61.5	50			
	20								66.5	55			
	25								73.5	62			
	30								78.5	67			
16	5	41	6.5	25	5.5	27	6	26	66	52	10	14	12.5
	10								76	62			
	15												
	20												
	25								86	72			
	30								91	77			

∅ [mm]	Stroke [mm]	L6	L7	L8	L9	L10	L11	T1	T2	T3	T4	⊕ 2
6	5	4	10	10	13	20	-	3.3	4.8	3	5	7
	10			15		25						
	15			20		30						
	20			25		40						
	25			30								
	30			35								
10	5	5	12	10	15	14	Max. 0.75	4.4	6	3.5	6	8
	10			14		19						
	15			18		25						
	20			24		30						
	25			32		40						
	30			35		45						
16	5	5	12	20	18	24	Max. 0.75	4.4	6	5	6	13
	10			20		35						
	15			30		45						
	20					50						
	25			40								
	30			45		55						

Datasheet

Ordering data			
∅ [mm]	Stroke [mm]	Part no.	Type
6			
	5	170485	SLS-6-5-P-A
	10	170486	SLS-6-10-P-A
	15	170487	SLS-6-15-P-A
	20	170488	SLS-6-20-P-A
	25	170489	SLS-6-25-P-A
	30	170490	SLS-6-30-P-A
10			
	5	170491	SLS-10-5-P-A
	10	170492	SLS-10-10-P-A
	15	170493	SLS-10-15-P-A
	20	170494	SLS-10-20-P-A
	25	170495	SLS-10-25-P-A
	30	170496	SLS-10-30-P-A
16			
	5	170497	SLS-16-5-P-A
	10	170498	SLS-16-10-P-A
	15	170499	SLS-16-15-P-A
	20	170500	SLS-16-20-P-A
	25	170501	SLS-16-25-P-A
	30	170502	SLS-16-30-P-A

Peripherals overview


Note

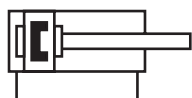
End stops must not be removed.

Accessories		Description	→ Page/Internet
[1]	One-way flow control valve GRLA	For regulating speed	22
	Push-in fitting QS	For connecting tubing with standard O.D.	qs
[2]	Proximity switch SME/SMT-10	Sensor slots for one or several proximity switches	22
[3]	Centring pin/sleeve ZBS/ZBH	For centring loads and attachments	22

Type codes

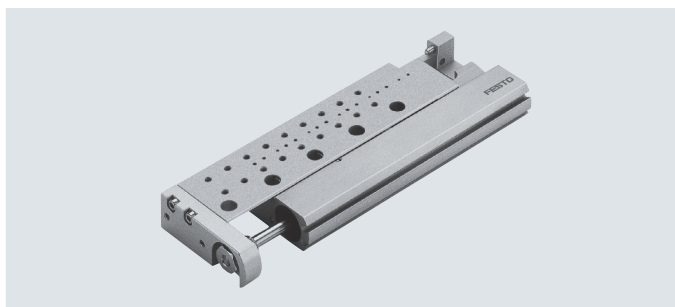
001	Series	003	Stroke
SLF	Mini slide, double-acting	10	10
		20	20
		30	30
		40	40
		50	50
		80	80
002	Size	004	Cushioning
6	6	P	Elastic cushioning rings/plates on both sides
10	10		
16	16		
		005	Position sensing
		A	For proximity sensor



Datasheet



 www.festo.com

 Repair service



-  Diameter
6 ... 16 mm
-  Stroke length
10 ... 80 mm

General technical data				6	10	16
Piston \varnothing				6	10	16
Pneumatic connection				M5		
Design				Piston, piston rod, slide, yoke, ball cage guide		
Guide				Ball bearing-guided		
Cushioning				Non-adjustable at both ends		
Position sensing				For proximity switch		
Type of mounting				Via through-hole With female thread		
Mounting position				Any		
Adjustable end-position range	Per end stop	[mm]		5		
Max. advancing speed		[m/s]		0.5 ¹⁾	0.8	
Max. retracting speed		[m/s]		0.5 ¹⁾	0.8	

1) Must be throttled externally.

Operating and environmental conditions				6	10	16
Piston \varnothing				6	10	16
Operating medium				Compressed air to ISO 8573-1:2010 [7:4:4]		
Note on the operating/pilot medium				Lubricated operation possible (in which case lubricated operation will always be required)		
Operating pressure						
		[MPa]		0.15 ... 1	0.1 ... 1	
		[bar]		1.5 ... 10	1 ... 10	
		[psi]		21.75 ... 145	14.5 ... 145	
Ambient temperature ¹⁾		[°C]		-20 ... +60		

1) Note operating range of proximity switches.

Forces [N] and impact energy [Nm]				6	10	16
Piston \varnothing				6	10	16
Theoretical force at 6 bar, advancing				17	47	121
Theoretical force at 6 bar, retracting				13	40	104
Impact energy in the end positions ¹⁾	Cushioning P ²⁾			0.016	0.05	0.1

1) The loads moved by the slides must be taken into consideration when calculating the end-position cushioning energy.

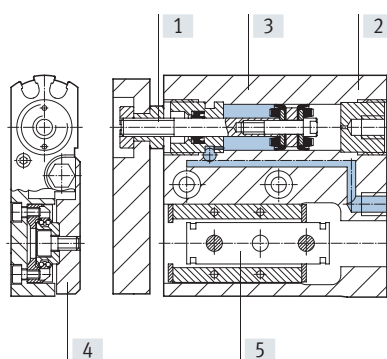
2) Note also the graph illustrating the piston speed as a function of payload → page 16

Datasheet

Weight [g]				
Piston \varnothing	Stroke	6	10	16
Product weight	10	108	135	257
	20	124	156	291
	30	138	171	319
	40	–	178	353
	50		227	407
	80		–	539
Moving mass	10	32	41	99
	20	37	48	109
	30	48	58	122
	40	–	60	133
	50		79	153
	80		–	199

Materials

Sectional view



Mini slide

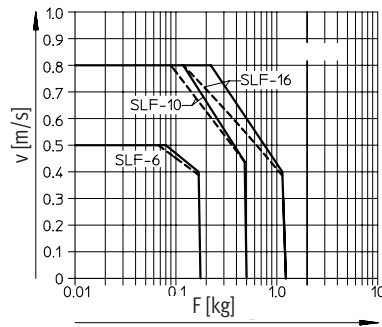
[1]	Piston rod	High-alloy steel
[2]	Cover	Anodised wrought aluminium alloy
[3]	Housing	Anodised wrought aluminium alloy
[4]	Slide	Anodised wrought aluminium alloy
[5]	Guide	Tempered steel
–	Seals	Thermoplastic rubber, hydrogenated nitrile rubber, nitrile rubber
	Note on materials	RoHS-compliant
	LABS (PWIS) conformity	VDMA24364-B2-L

Datasheet

Piston speed v as a function of payload m

SLF-6/-10/-16...-P-A

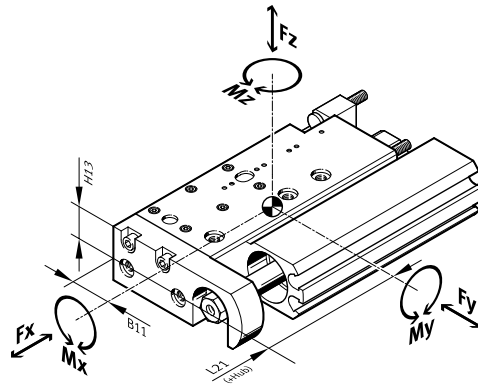
The piston speed as a function of payload illustrated in this graph must not be exceeded as the kinetic impact or residual energy in the end positions can result in damage to the drive.



— Min. stroke
 - - - - - Max. stroke

Characteristic load values

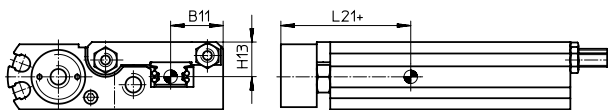
The indicated torques refer to the centre of the guide. These values must not be exceeded during dynamic operation. Special attention must be paid to the deceleration phase.



If the drive is simultaneously subjected to several of the forces and torques indicated below, the following equation must be satisfied in addition to the indicated maximum loads:

$$f_v = \frac{|F_{y1}|}{F_{y2}} + \frac{|F_{z1}|}{F_{z2}} + \frac{|M_{x1}|}{M_{x2}} + \frac{|M_{y1}|}{M_{y2}} + \frac{|M_{z1}|}{M_{z2}} \leq 1$$

Position of the guide centre



+ plus stroke length

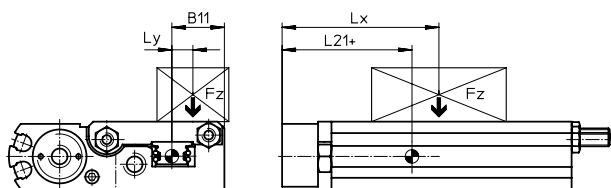
Datasheet

Permissible forces and torques						Geometric characteristics		
Piston \varnothing	Stroke	$F_{y_{max}}$ [N]	$F_{z_{max}}$ [N]	$M_{x_{max}}, M_{y_{max}}$ [Nm]	$M_{z_{max}}$ [Nm]	B11 [mm]	H13 [mm]	L21 [mm]
6								
	10	170	170	0.6	0.5	14	7	22
	20	150	150	1.1	0.7			21
	30	130	130	1.1	0.7			21
10								
	10	170	170	0.6	0.5	11.5	8	23
	20	150	150	1.1	0.7			25
	30	130	130	1.1	0.7			25
	40	150	150	0.9	0.5			29
	50	190	190	1.4	0.5			34.5
16								
	10	470	470	2.1	1.6	14	11.5	27.5
	20	370	370	1.7	1.3			27.5
	30	390	390	2.5	1.4			31.5
	40	350	350	2.2	1.3			31.5
	50	390	390	3.1	1.4			36
	80	410	410	4.3	1.5			43.5

Calculation example

Where:

To be determined:



Mini slide	= SLF-10	F_y, F_z, M_x, M_y, M_z
Stroke length	= 20 mm	and
Lever arm L_x	= 5 mm	Functional operation with combined
Lever arm L_y	= 20 mm	load
Mass F_z	= 0.495 kg	
Acceleration a	= 0 m/s ²	

Solution:

 $L_{21} = 25$ mm from table

$$F_y = 0 \text{ N}$$

$$F_z = m \times g \\ = 0.495 \text{ kg} \times 9.81 \text{ m/s}^2 = 4.856 \text{ N}$$

$$M_x = m \times g \times L_y \\ = 0.495 \text{ kg} \times 9.81 \text{ m/s}^2 \times 20 \text{ mm} = 0.097 \text{ Nm}$$

$$M_y = m \times g \times [(L_{21} + \text{Hub}) - L_x] \\ = 0.495 \text{ kg} \times 9.81 \text{ m/s}^2 [(25 \text{ mm} + 20 \text{ mm}) - 5 \text{ mm}] = 0.194 \text{ Nm}$$

$$M_z = 0 \text{ Nm}$$

Combined load:

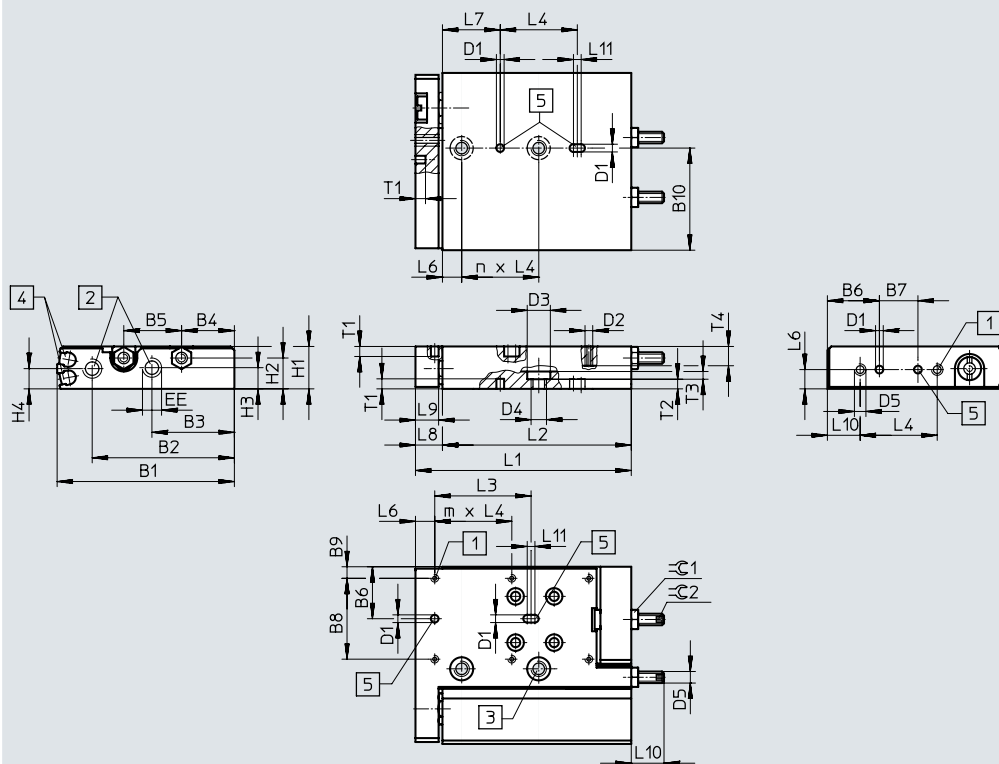
$$f_v = \frac{|F_{y1}|}{F_{y2}} + \frac{|F_{z1}|}{F_{z2}} + \frac{|M_{x1}|}{M_{x2}} + \frac{|M_{y1}|}{M_{y2}} + \frac{|M_{z1}|}{M_{z2}} \leq 1 \\ = 0 + \frac{4,856 \text{ N}}{150 \text{ N}} + \frac{0,097 \text{ Nm}}{1,1 \text{ Nm}} + \frac{0,194 \text{ Nm}}{1,1 \text{ Nm}} + 0 = 0,297 \leq 1$$

Datasheet

Dimensions

Download CAD data → www.festo.com

∅ 6



- [1] Mounting thread
- [2] Compressed air supply ports
- [3] Through-holes for mounting the drive
- [4] Sensor slots for proximity switch SME/SMT-10
- [5] Centring holes (centring sleeves included in the scope of delivery)

∅	B1	B2	B3	B4	B5	B6	B7	B8	B9	B10	D1
[mm]											∅ H7
6	46	36.9	21.4	13.7	15	13.5	10	21	3	26.5	2

∅	D2	D3	D4	D5	EE	H1	H2	H3	H4	L4	L6
[mm]		∅									
6	M2	6	M4	M3	M5	11	8	5.5	5.25	20	5

∅	L7	L8	L9	L10	L11	T1	T2	T3	T4	≙G1	≙G2
[mm]											
6	15	7	6	8.5	2	2.6	2.5	2	5	5	1.5

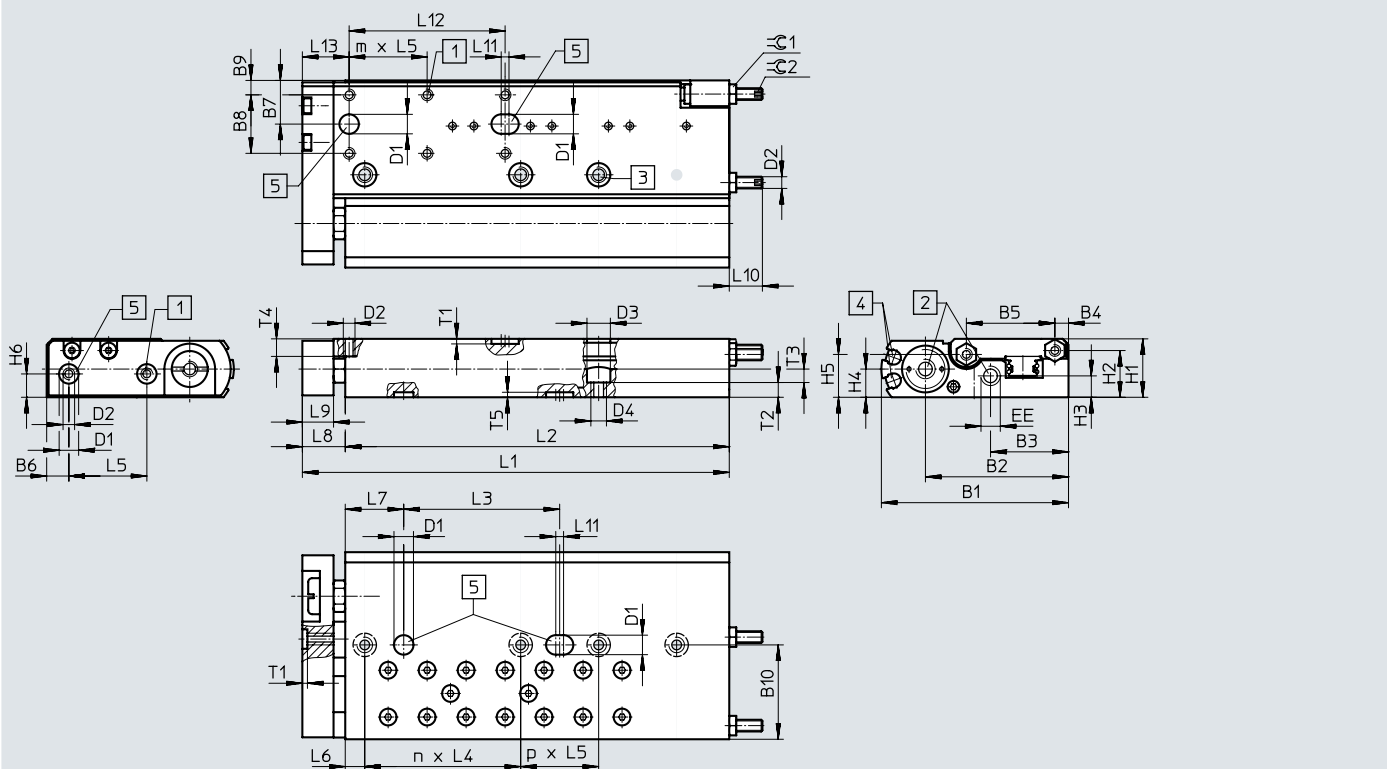
∅	Stroke	L1	L2	L3	m	n
[mm]	[mm]					
6	10	56	49	20	2	1
	20	66	59	20	2	2
	30	76	69	40	3	2

Datasheet

Dimensions

Download CAD data → www.festo.com

∅ 10



- [1] Mounting thread
- [2] Compressed air supply ports
- [3] Through-holes for mounting the drive
- [4] Sensor slots for proximity switch SME/SMT-10
- [5] Centring holes (centring sleeves included in the scope of delivery)

∅	B1	B2	B3	B4	B5	B6	B7	B8	B9	B10	D1 ∅ H7	D2	D3 ∅
[mm]													
10	48	36.7	20	3.5	22.7	5.7	11.2	15	3.7	24.2	5	M3	6

∅	D4	EE	H1	H2	H3	H4	H5	H6	L5	L6	L7	L8
[mm]												
10	M4	M5	15	12	5.5	7.25	11	6	20	5	15	11

∅	L9	L10	L11	L12	L13	T1	T2	T3	T4	T5	⊖1	⊖2
[mm]										+0.1		
10	8	8.5	2	40	12	1.3	3.8	3	4.5	1.2	5	1.5

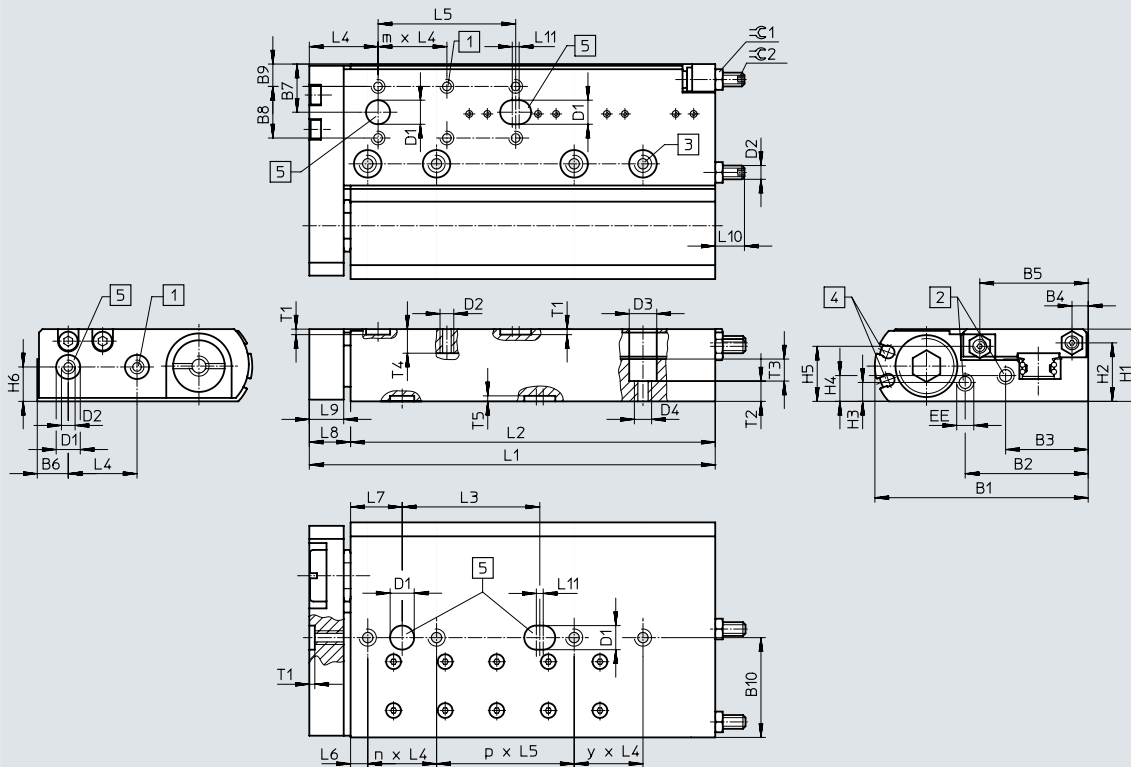
∅	Stroke	L1	L2	L3	L4	m	n	p
[mm]	[mm]							
10	10	59.5	48.5	20	20	1	1	-
	20	69.5	58.5					
	30	79.5	68.5					
	40	89.5	78.5	40	2	2		
	50	109.5	98.5				40	

Datasheet

Dimensions

Download CAD data → www.festo.com

∅ 16



- [1] Mounting thread
- [2] Compressed air supply ports
- [3] Through-holes for mounting the drive
- [4] Sensor slots for proximity switch SME/SMT-10
- [5] Centring holes (centring sleeves included in the scope of delivery)

∅	B1	B2	B3	B4	B5	B6	B7	B8	B9	B10	D1 ∅ H7	D2	D3 ∅
[mm]													
16	62	35.75	24	4.7	31.5	9	14	15	6.5	29	7	M4	8

∅	D4	EE	H1	H2	H3	H4	H5	H6	L4	L5	L6	L7
[mm]												
16	M5	M5	21	17	5.5	7.5	16	10	20	40	5	15


∅	L8	L9	L10	L11	T1	T2	T3	T4	T5	⊖G1	⊖G2	
[mm]												
16	12	10	8.5	2	1.6	5.9	6	7	1.5	+0.1	6	2

∅	Stroke	L1	L2	L3	m	n	p	y
[mm]	[mm]							
16	10	68	56	20	1	1	-	-
	20					2		
	30					3		
	40	98	86	40	2	1	1	1
	50					106	2	1
	80					148	2	-


Datasheet

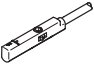
Ordering data			
∅ [mm]	Stroke [mm]	Part no.	Type
6			
	10	170503	SLF-6-10-P-A
	20	170504	SLF-6-20-P-A
	30	170505	SLF-6-30-P-A
10			
	10	170506	SLF-10-10-P-A
	20	170507	SLF-10-20-P-A
	30	170508	SLF-10-30-P-A
	40	170509	SLF-10-40-P-A
	50	170510	SLF-10-50-P-A
16			
	10	170511	SLF-16-10-P-A
	20	170512	SLF-16-20-P-A
	30	170513	SLF-16-30-P-A
	40	170514	SLF-16-40-P-A
	50	170515	SLF-16-50-P-A
	80	170516	SLF-16-80-P-A

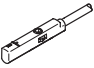
Accessories

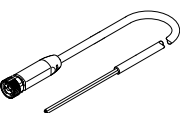
Ordering data		For \varnothing 6		For \varnothing 10		For \varnothing 16	
		Part no.	Type	Part no.	Type	Part no.	Type
Centring pins/sleeves for SLF ¹⁾ Datasheets → Internet: zbh, zbs							
	Housing	525273	ZBS-2	8146543	ZBH-5-B	8146544	ZBH-7-B
	Slide						
	Yoke						

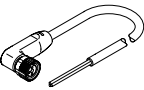
1) Scope of delivery: 10 per pack

Ordering data – One-way flow control valves					Datasheets → Internet: gla	
Connection		Material		Part no.	Type	
Thread	For tubing O.D.					
	M5	3	Metal design	193137	GRLA-M5-QS-3-D	
		4		193138	GRLA-M5-QS-4-D	

Ordering data – Proximity switch for C-slot, magneto-resistive						Datasheets → Internet: smt	
Type of mounting		Switching output	Electrical connection, outlet direction of connection	Cable length [m]	Part no.	Type	
N/O							
	Inserted in the slot from above		PNP	Cable, 3-core, lengthwise	2.5	551373	SMT-10M-PS-24V-E-2.5-L-OE
				Plug M8x1, 3-pin, in-line	0.3	551375	SMT-10M-PS-24V-E-0.3-L-M8D
				Plug M8x1, 3-pin, lateral	0.3	551376	SMT-10M-PS-24V-E-0.3-Q-M8D

Ordering data – Proximity switch for C-slot, magnetic reed						Datasheets → Internet: sme	
Type of mounting		Switching output	Electrical connection, outlet direction of connection	Cable length [m]	Part no.	Type	
N/O							
	Inserted in the slot from above		Contacting	Plug M8x1, 3-pin, in-line	0.3	551367	SME-10M-DS-24V-E-0.3-L-M8D
				Cable, 3-core, lengthwise	2.5	551365	SME-10M-DS-24V-E-2.5-L-OE
				Cable, 2-core, lengthwise	2.5	551369	SME-10M-ZS-24V-E-2.5-L-OE

Connecting cables NEBA, straight							
Electrical connection 1, connection technology		Electrical connection 2, connection technology	Electrical connection 2, number of pins/cores	Cable length	Part no.	Type	
	M8x1 A-coded to EN 61076-2-104		Open end	3	2.5 m	8078223	NEBA-M8G3-U-2.5-N-LE3
					5 m	8078224	NEBA-M8G3-U-5-N-LE3

Connecting cables NEBA, angled							
Electrical connection 1, connection technology		Electrical connection 2, connection technology	Electrical connection 2, number of pins/cores	Cable length	Part no.	Type	
	M8x1 A-coded to EN 61076-2-104		Open end	3	2.5 m	8078230	NEBA-M8W3-U-2.5-N-LE3
					5 m	8078231	NEBA-M8W3-U-5-N-LE3

Accessories

Adapter kit
HAPS

Material:
Wrought aluminium alloy
RoHS-compliant



Note

The kit includes the individual mounting interface as well as the necessary mounting material.

Permissible drive/drive combinations with adapter kit							Download CAD data → www.festo.com	
Combination	[1] Drive	[2] Drive	Adapter kit		Type	Quantity required	PU ²⁾	
	Size	Size	CRC ¹⁾	Part no.				
SLG/SLF	SLG	SLF	HAPS					
	8, 12	6, 10	2	189533	HAPS-11	1	1	
	12	16		189533	HAPS-11	1	1	
	18	10, 16		189534	HAPS-12	1	1	

1) More information www.festo.com/x/topic/crc

2) Packaging unit.