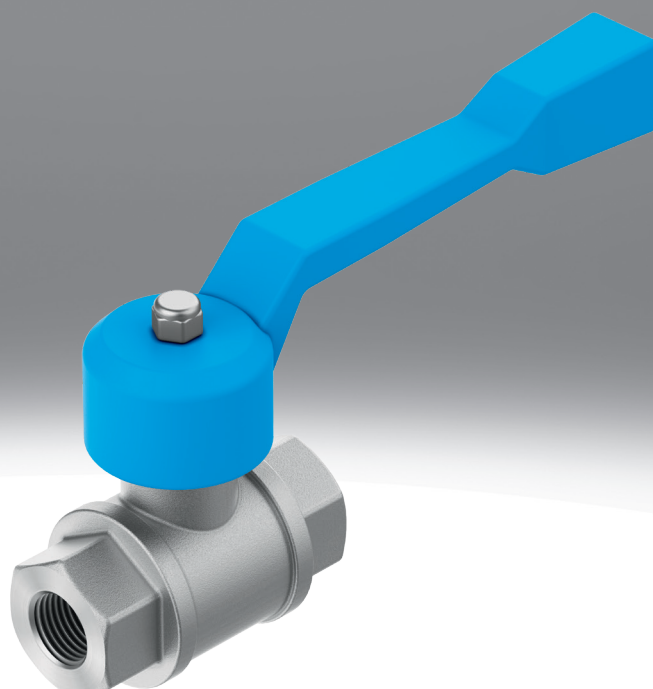


Ball valve QH

FESTO



## Characteristics

### At a glance

- Shut-off valve, manually operated
- Product complies with ISO 1179-1 and ISO 228-1

Note: Not permitted for toxic gases such as natural gas, mains gas, etc.

## Type code

001	Series
QH	Ball valve

002	Pneumatic connection 1
G1	G1
G12	G1/2
G14	G1/4
G34	G3/4
G38	G3/8
G112	G1 1/2

## Datasheet

## Datasheet



Pneumatic connection, port 1	G1/4	G3/8	G1/2	G3/4	G1	G1 1/2
Pneumatic connection, port 2	G1/4	G3/8	G1/2	G3/4	G1	G1 1/2
Nominal size	12 mm		15 mm	20 mm	25 mm	40 mm
Design	Ball valve					
Type of mounting	In-line installation					
Mounting position	optional					
Valve function	2/2 double solenoid					
Type of actuation	Manual					
Sealing principle	Soft					
Actuating torque	4 Nm		8 Nm	12 Nm	15 Nm	25 Nm
Standard nominal flow rate (standardised to DIN 1343)	3,400 l/min	7,500 l/min	11,500 l/min	21,000 l/min	33,000 l/min	84,000 l/min
Nominal pressure PN	40			30	20	
Conforms to standard	ISO 228-1					

## Operating and environmental conditions

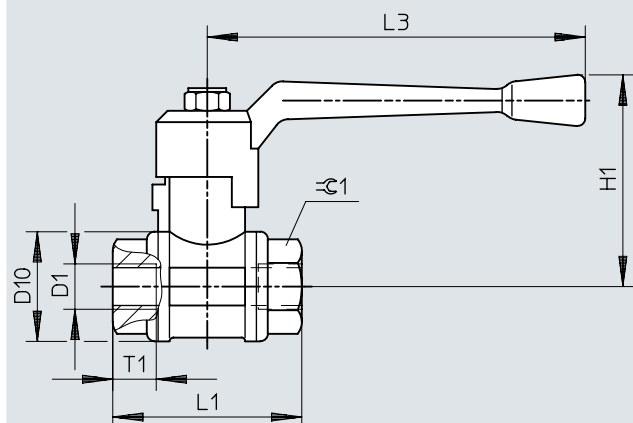
Medium	Compressed air to ISO 8573-1:2010 [---] Inert gases Water – no water vapour Neutral fluids Other media on request
Media temperature	-20 ... 150°C
Corrosion resistance class CRC	1 - Low corrosion stress

## Materials

Material housing	Brass
Material seals	FPM, PTFE
Material ball	Brass, chrome-plated
Material shaft	Brass
LABS (PWIS) conformity	VDMA24364-B1/B2-L

## Dimensions


Dimensions – Female thread at both ends

Download CAD data [www.festo.com](http://www.festo.com)

	D1	D10 ∅	H1	L1	L3	T1	☉ 1
QH-1/4	G1/4	30	56	52	100	11,5	21,5
QH-3/8	G3/8	30	56	52	100	11,5	21,5
QH-1/2	G1/2	35	59	64	100	15	27
QH-3/4	G3/4	44	72	74	120	16,3	32
QH-1	G1	51	77	88	120	19,1	41
QH-1 1/2	G1 1/2	73	100	105,5	150	21,4	55

## Ordering data

## Ordering data – Female thread on both sides

	Pneumatic connection, port 1	Pneumatic connection, port 2	Standard nominal flow rate (standardised to DIN 1343)	Product weight	Part no.	Type
	G1/4	G1/4	3,400 l/min	180 g	<b>9541</b>	<b>QH-1/4</b>
	G3/8	G3/8	7,500 l/min	185 g	<b>9542</b>	<b>QH-3/8</b>
	G1/2	G1/2	11,500 l/min	340 g	<b>9543</b>	<b>QH-1/2</b>
	G3/4	G3/4	21,000 l/min	610 g	<b>9544</b>	<b>QH-3/4</b>
	G1	G1	33,000 l/min	830 g	<b>9545</b>	<b>QH-1</b>
	G1 1/2	G1 1/2	84,000 l/min	1,730 g	<b>6837</b>	<b>QH-1 1/2</b>