

Cylinder signal generator PPL

FESTO



Characteristics

At a glance

- For contactless pneumatic signal generation at the end of cylinder strokes
- Function: 3/2-way valve, normally open
- Can be screwed directly into the supply port of the cylinder using a hollow bolt

Note

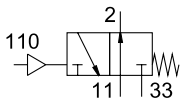
The cylinder signal transmitter must not be used for position reporting.

Datasheet

General technical data

Type	PPL-1/8	PPL-1/4
Type of mounting	Hollow bolt G1/8	Hollow bolt G1/4
Nominal width	5 mm	6,5 mm
Tightening torque	max. 4 Nm	max. 8 Nm
Switch time	On: 11 ms Off: 26 ms	On: 5 ±5 ms Off: 15 ±5 ms
Connection	Barbed fitting for plastic tubing NW3	
Standard nominal flow rate	48 l/min	

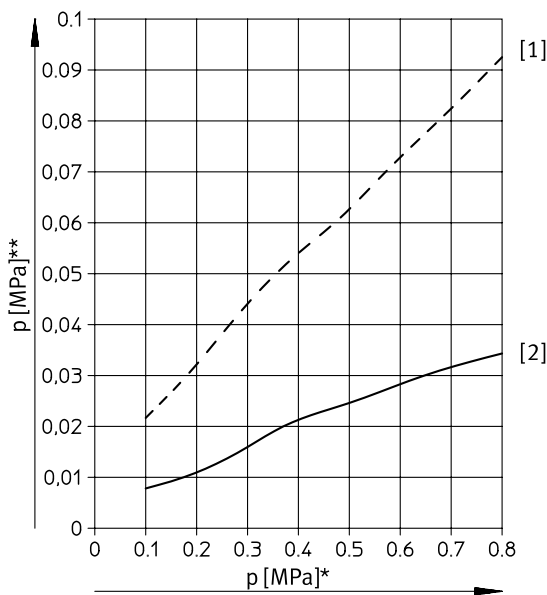
Function



Operating and environmental conditions

Operating medium	Compressed air to ISO 8573-1:2010 [7:4:4]
Note on operating/control medium	Lubricated operation possible
Operating pressure range	0,1 ... 0,8 MPa
Control pressure	max. 0,8 MPa (→ Diagram)
Temperature range	-10 ... 60 °C

Minimum control pressure as a function of operating pressure



- [1] Control pressure on
- [2] Control pressure off
- * Operating pressure
- ** Control pressure

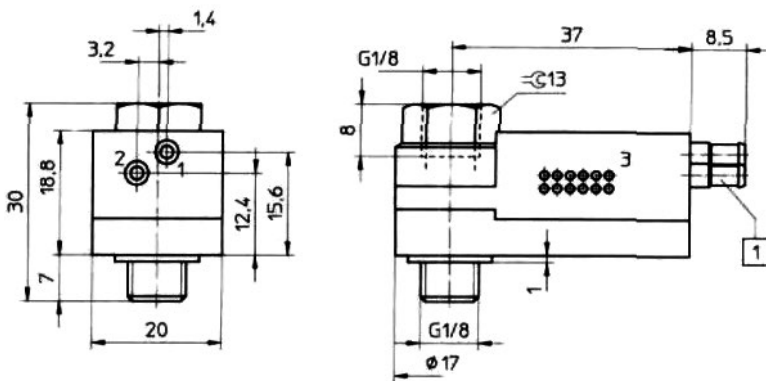
Materials

Housing material	Plastics
Cover material	Plastics
Insertsmaterial	Plastics
Hollow bolt material	Aluminium
Sealing material	NBR
Note on materials	RoHS-compliant
LABS (PWIS) conformity	VDMA24364-B2-L

Dimensions

Dimensions PPL-1/8

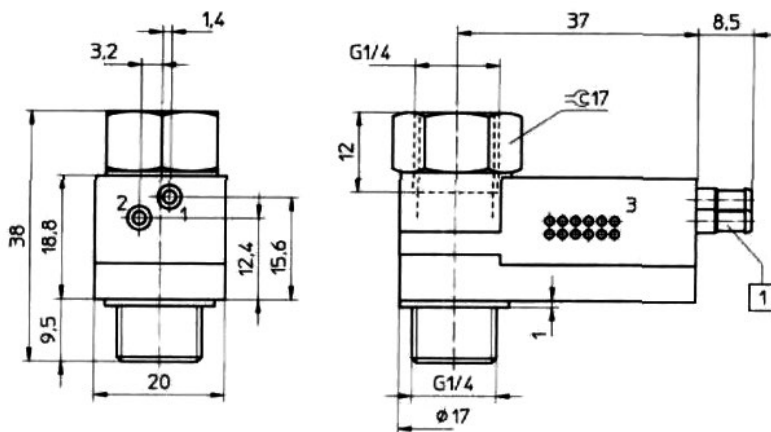
Download CAD data → www.festo.com



[1] Barbed fitting for plastic tubing NW3


Dimensions PPL-1/4

Download CAD data → www.festo.com



[1] Barbed fitting for plastic tubing NW3

Ordering data

Ordering data	Pneumatic connection	Weight	Part no.	Type
	G 1/8	24 g	13364	PPL-1/8
	G 1/4	28 g	13363	PPL-1/4