

Push-in fitting NPQH

FESTO



Characteristics

At a glance

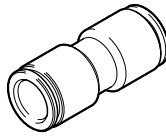
- Solid-metal brass, chemically nickel-plated
- High corrosion and chemical resistance
- High resistance to temperatures and pressure

Design

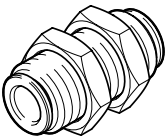
[B] Plug screw



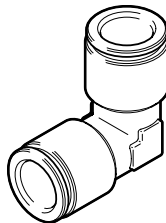
[D] Straight



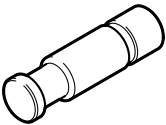
[H] Bulkhead



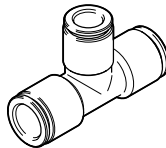
[L] L-shape



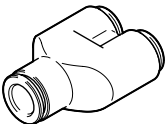
[P] Blanking plug



[T] T-shape



[Y] Y-shape



Type code

001	Series
NPQH	Push-in fitting
002	Design
B	Plug screw
D	Straight
H	Bulkhead
L	L-shape
P	Blanking plug
T	T-shape
Y	Y-shape
003	Mounting method
	Standard
K	Internal hex
004	Pneumatic connection 1
G12	G1/2
G14	G1/4
G18	G1/8
G38	G3/8
M5	M5
M7	M7
Q4	Push-in connector 4 mm
Q6	Push-in connector 6 mm
Q8	Push-in connector 8 mm
Q10	Push-in connector 10 mm
Q12	Push-in connector 12 mm
Q14	Push-in connector 14 mm
S4	Push-in sleeve 4 mm
S6	Push-in sleeve 6 mm
S8	Push-in sleeve 8 mm
S10	Push-in sleeve 10 mm
S12	Push-in sleeve 12 mm
S14	Push-in sleeve 14 mm

005	Connection type
	Standard
F	Female thread

006	Pneumatic connection 2
	None
E	Same size as connection 1
Q4	Push-in connector 4 mm
Q6	Push-in connector 6 mm
Q8	Push-in connector 8 mm
Q10	Push-in connector 10 mm
Q12	Push-in connector 12 mm
Q14	Push-in connector 14 mm
S4	Push-in sleeve 4 mm
S6	Push-in sleeve 6 mm
S8	Push-in sleeve 8 mm
S10	Push-in sleeve 10 mm
S12	Push-in sleeve 12 mm

007	Packaging quantity [pieces]
P10	10

Datasheet

General technical data

Design	Blanking plug	L-shape	L-shape, long	Bulkhead	T-shape	Plug screw	Y-shape	Straight design	
Size	Standard								
Design	–	Push-pull principle				–	Push-pull principle		
Mounting position	optional								
Type of seal on screwed plug	–	Sealing ring		–	Sealing ring		–	Sealing ring	
Size of pack	10								

Operating and environmental conditions

Operating pressure complete temperature range	-0.95 ... 20 bar
Operating medium	Compressed air to ISO 8573-1:2010 [7::-], Water as per manufacturer's declaration at www.festo.com , Water (liquid, ice-free)
Note on operating and pilot medium	Lubricated operation possible
Ambient temperature ¹⁾	0 ... 150°C
Corrosion resistance class CRC ²⁾	3 - High corrosion stress, 3 - high corrosion stress
Suitable for use with food	See declaration of conformity, NSF/ANSI 169
Certificate issuing authority	NSF C0523185

1) Note the operating range of the plastic tubing.

2) Corrosion resistance class CRC 3 to Festo standard FN 940070

High corrosion stress. Outdoor exposure under moderate corrosive conditions. External visible parts in direct contact with a normal industrial environment, with primarily functional surface requirements.

Materials

Material housing	Brass, chemically nickel-plated
Material release ring	Brass, chemically nickel-plated
Material tubing clamp component	High-alloy stainless steel
Material nut	Brass, chemically nickel-plated
Material thread seal	FPM
Material tubing seal	FPM
Note on materials	RoHS-compliant
LABS (PWIS) conformity	VDMA24364-B1/B2-L
Cleanroom class ¹⁾	Class 4 according to ISO 14644-1 Element installed statically, no meaningful evaluation possible according to ISO 14644-1

1) No meaningful evaluation according to ISO 14644-1 is possible for blanking plugs, push-in sleeves, push-in fittings with push-in sleeve and plug screws (statically installed elements)

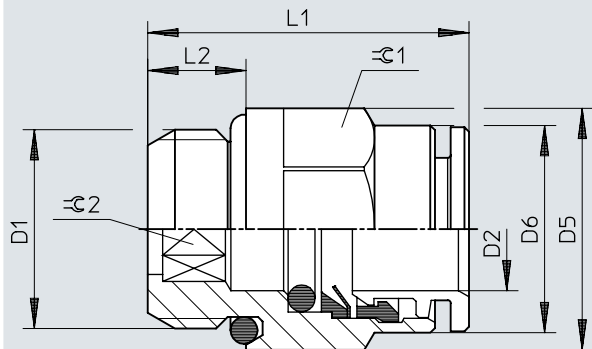
Tubing insertion depths

Pneumatic connection, port 1	For tubing outside diameter of 6 mm	For tubing outer diameter of 8 mm	For tubing outer diameter of 12 mm	For tubing outer diameter of 14 mm	
Pneumatic connection, port 2	For tubing outside diameter of 4 mm	For tubing outside diameter of 6 mm	For tubing outside diameter of 8 mm	For tubing outside diameter of 10 mm	For tubing outer diameter of 12 mm
Note on the tubing insertion depth	Ø4 depth 13 mm Ø6 depth 15.8 mm	Ø6 depth 15.8 mm Ø8 depth 16 mm	Ø8 depth 16 mm Ø12 depth 19.5 mm	Ø10 depth 18.3 mm Ø14 depth 22.5 mm	Ø12 depth 19.5 mm Ø14 depth 22.5 mm

Dimensions

Dimensions – Push-in fitting NPQH-D, male thread, with external hex

Download CAD data → www.festo.com

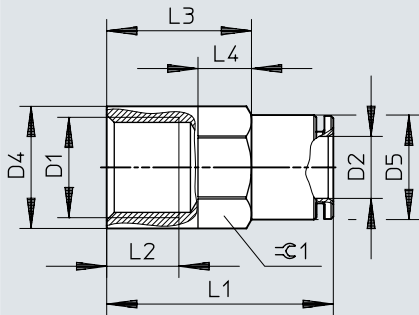


	D1	D2	D5 ø	D6 ø	L1	L2	∅1	∅2
NPQH-D-M5-Q4-P10	M5	4	8	9	21,5	4	9	2,5
NPQH-D-M5-Q6-P10		6	8	12	24	4	12	2,5
NPQH-D-M7-Q4-P10	M7	4	9	9	20	5	9	3
NPQH-D-M7-Q6-P10		6	9	12	23	5	12	3
NPQH-D-G18-Q4-P10	G1/8	4	13	9	16,5	5	9	3
NPQH-D-G18-Q6-P10		6	13,5	12	19,5	5	12	4
NPQH-D-G18-Q8-P10	G1/4	8	13	14	23,5	5	13	6
NPQH-D-G14-Q6-P10		6	16	12	19,5	6,5	12	4
NPQH-D-G14-Q8-P10		8	16	14	21,5	6,5	14	6
NPQH-D-G14-Q10-P10		10	16	16	27,5	6,5	15	8
NPQH-D-G14-Q12-P10	G3/8	12	16	19	28,5	6,5	19	8
NPQH-D-G38-Q8-P10		8	20	14	21	7	14	6
NPQH-D-G38-Q10-P10		10	20	16	25	7	16	8
NPQH-D-G38-Q12-P10		12	20	19	28,5	7	19	10
NPQH-D-G38-Q14-P10	G1/2	14	20	22	32	7	22	10
NPQH-D-G12-Q10-P10		10	25	16	25,5	8,5	16	8
NPQH-D-G12-Q12-P10		12	25	19	26,5	8,5	19	8
NPQH-D-G12-Q14-P10		14	25	22	32	8,5	22	12

Dimensions

Dimensions – Push-in fitting NPQH-D, female thread, with external hex

Download CAD data → www.festo.com

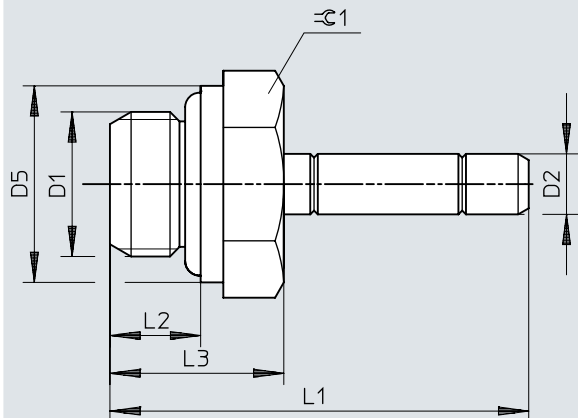


	D1	D2	D4 ∅	D5 ∅	L1	L2	L3	L4	∠1
NPQH-D-G18F-Q4-P10	G1/8	4	13	9	23,5	7,5	15	5	9
NPQH-D-G18F-Q6-P10		6	14	12	26	7,5	13,5	6	12
NPQH-D-G18F-Q8-P10		8	16	14	26	7,5	10	10	14
NPQH-D-G14F-Q4-P10	G1/4	4	16	9	27	11	18,5	5	9
NPQH-D-G14F-Q6-P10		6	16	12	30	11	18,5	6	12
NPQH-D-G14F-Q8-P10		8	16	14	30	11	19	7	14

Dimensions

Dimensions – Push-in fitting NPQH-D with push-in sleeve

Download CAD data → www.festo.com

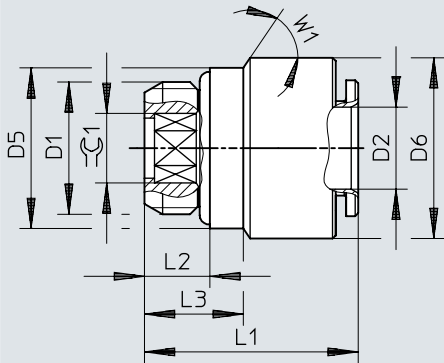


	D1	D2	D5 ∅ ±0,5	L1 ±0,5	L2	L3	☉1
NPQH-D-M5-S4-P10	M5	4	8	26	4	8	9
NPQH-D-M5-S6-P10		6	8	28	4	8	9
NPQH-D-G18-S4-P10	G1/8	4	12,9	28	5	10	13
NPQH-D-G18-S6-P10		6	12,9	30	5	10	13
NPQH-D-G18-S8-P10		8	12,9	31	5	10	13
NPQH-D-G14-S6-P10	G1/4	6	16	32,5	6,5	12,5	16
NPQH-D-G14-S8-P10		8	16	33,5	6,5	12,5	16
NPQH-D-G14-S10-P10		10	16	34,5	6,5	12,5	16
NPQH-D-G14-S12-P10		12	16	37,5	6,5	12,5	16
NPQH-D-G38-S10-P10	G3/8	10	20	35	7	13	20
NPQH-D-G38-S12-P10		12	20	38	7	13	20
NPQH-D-G12-S12-P10	G1/2	12	25	39,5	8,5	14,5	25

Dimensions

Dimensions – Push-in fitting NPQH-DK, male thread, with internal hex, M thread

Download CAD data → www.festo.com

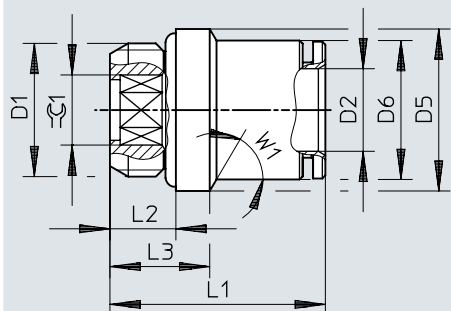


	D1	D2	D5 ∅	D6 ∅	L1	L2	L3	W1	⊖ _{D1}
NPQH-DK-M5-Q4-P10	M5	4	8	9	19	4	5	45	2,5
NPQH-DK-M5-Q6-P10		6	8	9,9 ^{+0,1}	22	4	5	45	2,5
NPQH-DK-M7-Q4-P10	M7	4	9	9	20	5	–	–	3
NPQH-DK-M7-Q6-P10		6	9	9,9 ^{+0,1}	23	5	6	45	3

Dimensions

Dimensions – Push-in fitting NPQH-DK, male thread, with internal hex, G thread

Download CAD data → www.festo.com

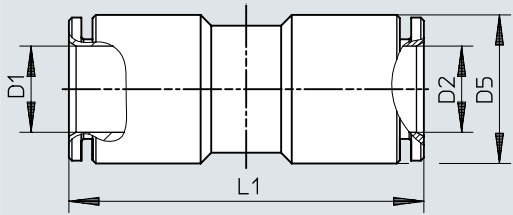


	D1	D2	D5 ∅	D6 ∅	L1	L2	L3	W1	≅1
NPQH-DK-G18-Q4-P10	G1/8	4	13	9	16,5	5	7	45	3
NPQH-DK-G18-Q6-P10		6	13	12	19,5	5	7,5	60	4
NPQH-DK-G18-Q8-P10		8	13	14	23,5	5	6	45	6
NPQH-DK-G18-Q10-P10		10	13	16	26	5	6	–	6
NPQH-DK-G14-Q8-P10	G1/4	8	16	14	21,5	6,5	9	60	6
NPQH-DK-G14-Q10-P10		10	16	16	27,5	6,5	–	–	8
NPQH-DK-G38-Q12-P10	G3/8	12	20	18	28,5	7	9,5	60	10

Dimensions

Dimensions – Push-in connector NPQH-D

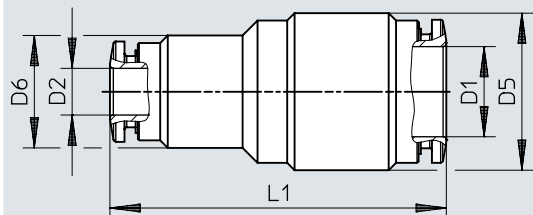
Download CAD data → www.festo.com



	D1	D2	D5 ø	L1 ±1
NPQH-D-Q4-E-P10	4	4	9	28
NPQH-D-Q6-E-P10	6	6	12	33,5
NPQH-D-Q8-E-P10	8	8	14	34
NPQH-D-Q10-E-P10	10	10	16	38,5
NPQH-D-Q12-E-P10	12	12	19	41
NPQH-D-Q14-E-P10	14	14	22	47

Dimensions

Dimensions – Push-in connector NPQH-D, reducing

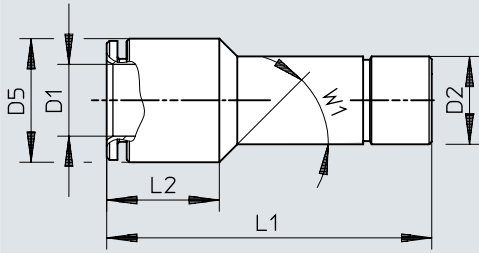
Download CAD data → www.festo.com

	D1	D2	D5 ∅	D6 ∅	L1 ±1
NPQH-D-Q6-Q4-P10	6	4	12	12	31
NPQH-D-Q8-Q6-P10	8	6	14	14	34
NPQH-D-Q12-Q8-P10	12	8	19	14	39
NPQH-D-Q14-Q10-P10	14	10	22	16	44,5
NPQH-D-Q14-Q12-P10	14	12	22	19	44,5

Dimensions

Dimensions – Push-in connector NPQH-D with push-in sleeve

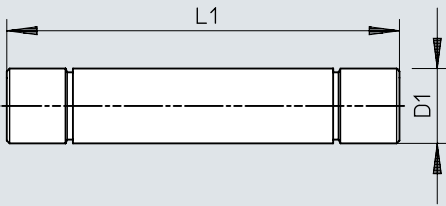
Download CAD data → www.festo.com



	D1	D2	D5 ∅	L1	L2	W1
NPQH-D-S6-Q4-P10	4	6	9	33,5	9,5	45
NPQH-D-S8-Q4-P10		8	9	33,5	10,5	45
NPQH-D-S10-Q4-P10		10	10	31,5	–	–
NPQH-D-S8-Q6-P10	6	8	12	35	10,5	45
NPQH-D-S10-Q6-P10		10	12	36,5	11	45
NPQH-D-S12-Q6-P10		12	12	35,5	–	–
NPQH-D-S14-Q6-P10		14	14	37,5	–	–
NPQH-D-S10-Q8-P10	8	10	14	37	10,5	45
NPQH-D-S12-Q8-P10		12	14	39	10,5	45
NPQH-D-S14-Q8-P10		14	14	38,5	–	–
NPQH-D-S12-Q10-P10	10	12	16	42	12	45
NPQH-D-S14-Q10-P10		14	16	42	13	45
NPQH-D-S14-Q12-P10	12	14	19	43	12,5	45

Dimensions

Dimensions – Push-in sleeve NPQH-D

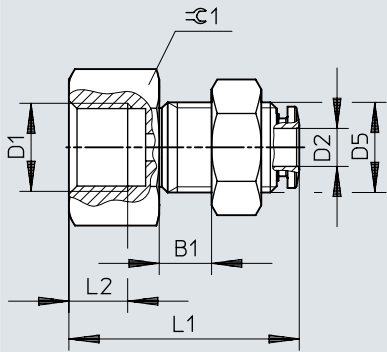
Download CAD data → www.festo.com

	D1	L1
NPQH-D-S4-E-P10	4	35
NPQH-D-S6-E-P10	6	40
NPQH-D-S8-E-P10	8	42
NPQH-D-S10-E-P10	10	50
NPQH-D-S12-E-P10	12	53
NPQH-D-S14-E-P10	14	54

Dimensions

Dimensions – Bulkhead push-in fitting NPQH-H, female thread, with external hex

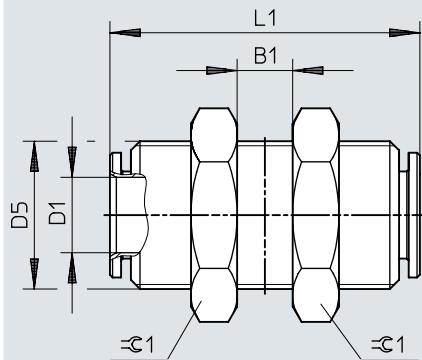
Download CAD data → www.festo.com



	D1	D2	B1 max.	D5	L1 ±0,5	L2	∅C1
NPQH-H-G18F-Q4-P10	G1/8	4	7	M12x1	23,5	7,5	16
NPQH-H-G18F-Q6-P10		6	10	M14x1	26,5	7,5	18
NPQH-H-G18F-Q8-P10		8	10	M16x1	26,5	7,5	20
NPQH-H-G14F-Q6-P10	G1/4	6	10	M14x1	30,5	11	18
NPQH-H-G14F-Q8-P10		8	10	M16x1	30,5	11	20

Dimensions

Dimensions – Push-in bulkhead connector NPQH-H

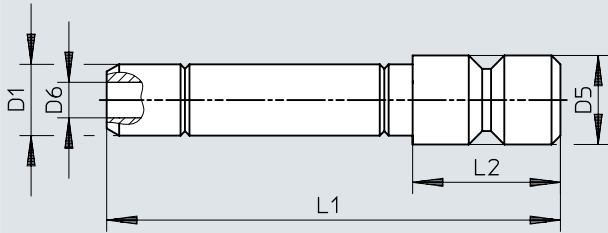
Download CAD data → www.festo.com

	D1	B1 max.	D5	L1	±0.1
NPQH-H-Q4-E-P10	4	11	M12x1	28	16
NPQH-H-Q6-E-P10	6	16	M14x1	34	18
NPQH-H-Q8-E-P10	8	17	M16x1	34	20
NPQH-H-Q10-E-P10	10	19	M18x1	39	22
NPQH-H-Q12-E-P10	12	20	M20x1	41	24

Dimensions

Dimensions – Blanking plug NPQH-P

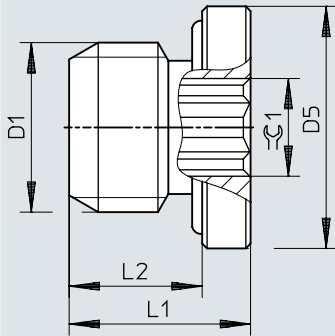
Download CAD data → www.festo.com



	D1	D5 ∅	D6 ∅ ±0,3	L1 ±0,5	L2
NPQH-P-S4-P10	4	5	–	25	9
NPQH-P-S6-P10	6	6	3,5	25	9
NPQH-P-S8-P10	8	8	5,5	30	9
NPQH-P-S10-P10	10	10	7,5	35	12
NPQH-P-S12-P10	12	12	9,5	40	12
NPQH-P-S14-P10	14	14	11	40	12

Dimensions

Dimensions – Plug screw NPQH-BK

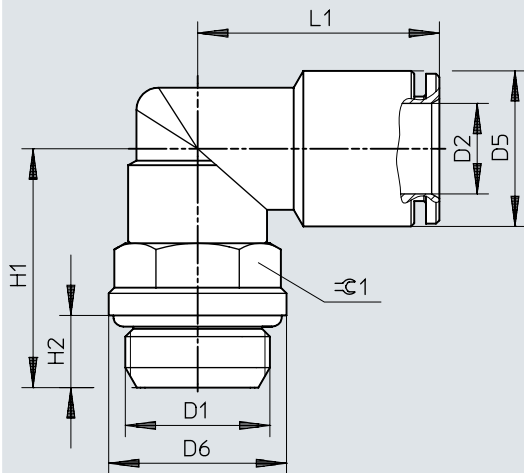
Download CAD data → www.festo.com

	D1	D5 ∅	L1 max.	L2	R1
NPQH-BK-M5-P10	M5	8	5,5	4	2,5
NPQH-BK-M7-P10	M7	9	7	5	3
NPQH-BK-G18-P10	G1/8	13	8,5	6	5
NPQH-BK-G14-P10	G1/4	16	9,5	6,5	6
NPQH-BK-G38-P10	G3/8	20	10	7	8
NPQH-BK-G12-P10	G1/2	25	12	8,5	10

Dimensions

Dimensions – Push-in L-fitting NPQH-L, can be rotated 360°, male thread, with external hex

Download CAD data → www.festo.com

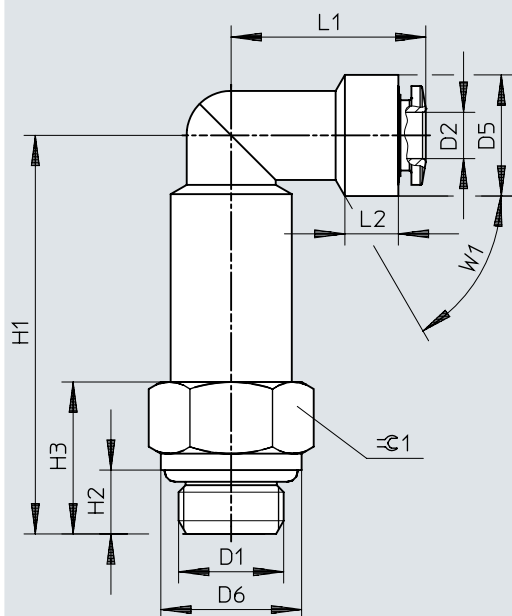


	D1	D2	D5 ∅	D6 ∅	H1	H2	L1	±0.1
NPQH-L-M5-Q4-P10	M5	4	9	8	14	4	17,5	9
NPQH-L-M5-Q6-P10		6	12	8	14	4	20,5	9
NPQH-L-M7-Q4-P10	M7	4	9	9	15	5	17,5	9
NPQH-L-M7-Q6-P10		6	12	9	15	5	17,5	9
NPQH-L-G18-Q4-P10	G1/8	4	9	13	18	5	19,5	13
NPQH-L-G18-Q6-P10		6	12	13	18	5	22	13
NPQH-L-G18-Q8-P10		8	14	13	18	5	22,5	13
NPQH-L-G14-Q6-P10	G1/4	6	12	16	21,5	6,5	22	13
NPQH-L-G14-Q8-P10		8	14	16	21,5	6,5	22,5	13
NPQH-L-G14-Q10-P10		10	16	16	22	6,5	26	16
NPQH-L-G14-Q12-P10		12	19	16	25,5	6,5	28,5	20
NPQH-L-G38-Q8-P10	G3/8	8	14	20	25,5	7	23	16
NPQH-L-G38-Q10-P10		10	16	20	25,5	7	26	16
NPQH-L-G38-Q12-P10		12	19	20	26	7	28,5	20
NPQH-L-G38-Q14-P10		14	22	20	26	7	32	20
NPQH-L-G12-Q10-P10	G1/2	10	16	25	27,5	8,5	26	16
NPQH-L-G12-Q12-P10		12	19	25	30,5	8,5	28,5	20
NPQH-L-G12-Q14-P10		14	22	25	30,5	8,5	32	20

Dimensions

Dimensions – Push-in L-fitting, long, NPQH-LL, can be rotated 360°, male thread, with external hex

Download CAD data → www.festo.com

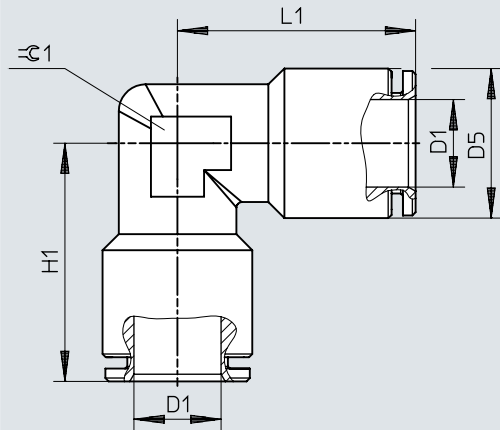


	D1	D2	D5 ∅ ±0,5	D6 ∅ ±0,5	H1 ±1	H2	H3	L1 ±1	L2	W1	⊖1
NPQH-LL-G18-Q4-P10	G1/8	4	9	13	29	5	9,5	19,5	–	–	13
NPQH-LL-G18-Q6-P10		6	12	13	32	5	9,5	22	10	45	13
NPQH-LL-G18-Q8-P10		8	14	13	34	5	9,5	22,5	11	30	13
NPQH-LL-G14-Q6-P10	G1/4	6	12	16	35,5	6,5	13	22	10	45	13
NPQH-LL-G14-Q8-P10		8	14	16	37,5	6,5	13	22,5	11	30	13
NPQH-LL-G14-Q10-P10		10	16	16	39	6,5	11,5	26	12	45	16
NPQH-LL-G38-Q10-P10	G3/8	10	16	20	42,5	7	15	26	12	45	16

Dimensions

Dimensions – Push-in L-connector NPQH-L

Download CAD data → www.festo.com

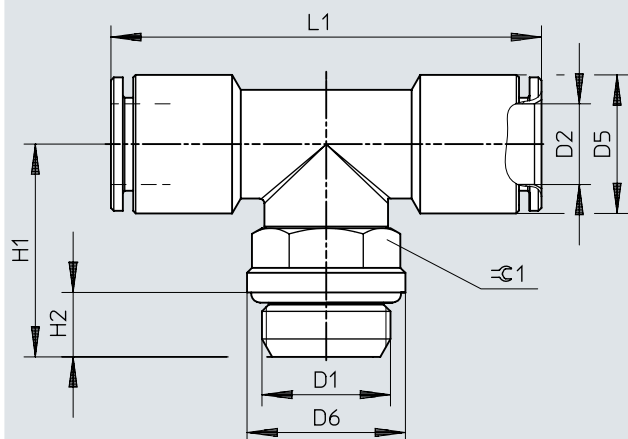


	D1	D5 ∅	H1	L1	≡ 1
NPQH-L-Q4-E-P10	4	9	17,5	17,5	8
NPQH-L-Q6-E-P10	6	12	20,5	20,5	10
NPQH-L-Q8-E-P10	8	14	22,5	22,5	12
NPQH-L-Q10-E-P10	10	16	25	25	14
NPQH-L-Q12-E-P10	12	19	26,5	26,5	18
NPQH-L-Q14-E-P10	14	22	31,5	31,5	18

Dimensions

Dimensions – Push-in T-fitting NPQH-T, can be rotated 360°, male thread, with external hex

Download CAD data → www.festo.com

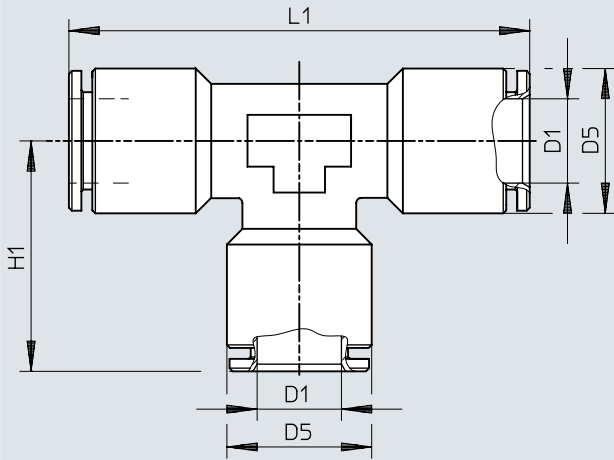


	D1	D2	D5 ∅	D6 ∅	H1	H2	L1	≅ ₁
NPQH-T-M5-Q4-P10	M5	4	9	8	14,5	4	35	9
NPQH-T-M5-Q6-P10		6	12	8	14,5	4	41	9
NPQH-T-G18-Q4-P10	G1/8	4	9	13	18	5	39	13
NPQH-T-G18-Q6-P10		6	12	13	18	5	44	13
NPQH-T-G18-Q8-P10		8	14	13	18	5	45	13
NPQH-T-G14-Q6-P10	G1/4	6	12	16	21,5	6,5	44	13
NPQH-T-G14-Q8-P10		8	14	16	21,5	6,5	45	13
NPQH-T-G14-Q10-P10		10	16	16	22	6,5	52	16
NPQH-T-G14-Q12-P10		12	19	16	25,5	6,5	57	20
NPQH-T-G38-Q8-P10	G3/8	8	14	20	25,5	7	46	16
NPQH-T-G38-Q10-P10		10	16	20	25,5	7	52	16
NPQH-T-G38-Q12-P10		12	19	20	26	7	57	20
NPQH-T-G12-Q10-P10	G1/2	10	16	25	27,5	8,5	52	16
NPQH-T-G12-Q12-P10		12	19	25	30,5	8,5	57	20

Dimensions

Dimensions – Push-in T-connector NPQH-T

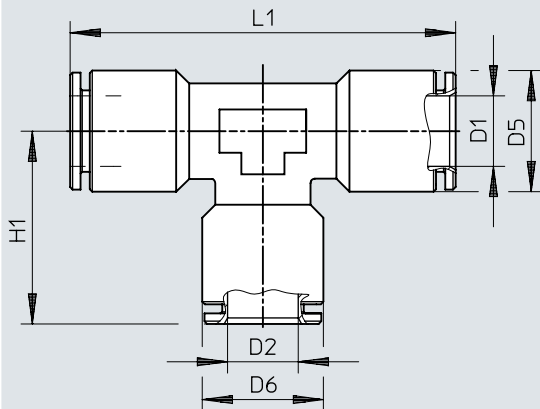
Download CAD data → www.festo.com



	D1	D5 ∅	H1	L1
NPQH-T-Q4-E-P10	4	9	17,5	35
NPQH-T-Q6-E-P10	6	12	20	40
NPQH-T-Q8-E-P10	8	14	21	42
NPQH-T-Q10-E-P10	10	16	24,5	49
NPQH-T-Q12-E-P10	12	19	26	52
NPQH-T-Q14-E-P10	14	22	30,5	61

Dimensions

Dimensions – Push-in T-connector NPQH-T, reducing

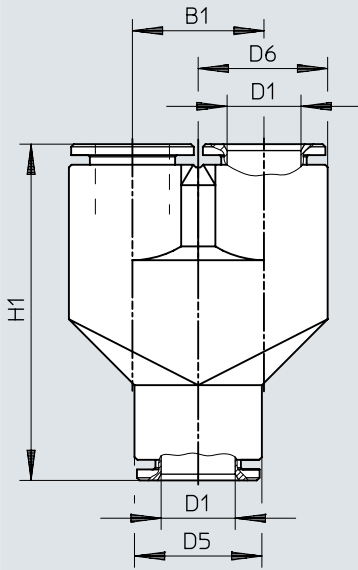
Download CAD data → www.festo.com

	D1	D2	D5 ∅	D6 ∅	H1	L1
NPQH-T-Q6-Q4-P10	6	4	12	9	18	40
NPQH-T-Q8-Q6-P10	8	6	14	12	20,5	42
NPQH-T-Q10-Q8-P10	10	8	16	14	23	49
NPQH-T-Q12-Q10-P10	12	10	19	16	26	52

Dimensions

Dimensions – Push-in Y-connector NPQH-Y

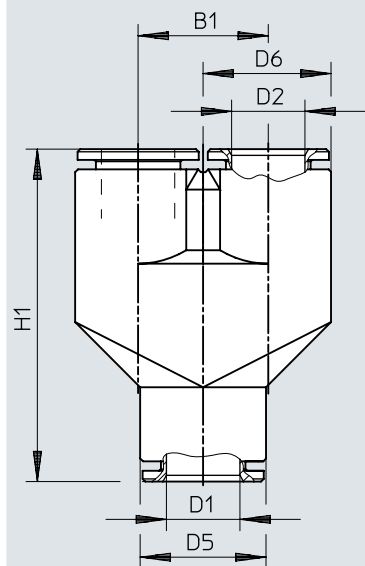
Download CAD data → www.festo.com



	D1	B1	D5 ∅	D6 ∅	H1
NPQH-Y-Q6-E-P10	6	12,5	12	12,3	36
NPQH-Y-Q8-E-P10	8	14,5	14	14,3	37,5
NPQH-Y-Q10-E-P10	10	16,5	16	16,3	44,5

Dimensions


Dimensions – Push-in Y-connector NPQH-Y, reducing

Download CAD data → www.festo.com


	D1	D2	B1	D5 ∅	D6 ∅	H1
NPQH-Y-Q6-Q4-P10	6	4	12,5	12	12,3	34
NPQH-Y-Q8-Q6-P10	8	6	14,5	14	14,3	37,5
NPQH-Y-Q10-Q8-P10	10	8	16,5	16	16,3	44

Ordering data


Push-in fitting NPQH-D, male thread, with external hex


	Pneumatic connection, port 1	Pneumatic connection, port 2	Product weight	Part no.	Type
	Male thread M5	For tubing outside diameter of 4 mm	5.8 g	578334	NPQH-D-M5-Q4-P10
		For tubing outside diameter of 6 mm	11.2 g	578335	NPQH-D-M5-Q6-P10
	Male thread M7	For tubing outside diameter of 4 mm	5.2 g	578336	NPQH-D-M7-Q4-P10
		For tubing outside diameter of 6 mm	10.2 g	578337	NPQH-D-M7-Q6-P10
	Male thread G1/8	For tubing outside diameter of 4 mm	6.3 g	578338	NPQH-D-G18-Q4-P10
		For tubing outside diameter of 6 mm	9.2 g	578339	NPQH-D-G18-Q6-P10
		For tubing outside diameter of 8 mm	11.9 g	578340	NPQH-D-G18-Q8-P10
	Male thread G1/4	For tubing outside diameter of 6 mm	13.1 g	578341	NPQH-D-G14-Q6-P10
		For tubing outside diameter of 8 mm	14.1 g	578342	NPQH-D-G14-Q8-P10
		For tubing outside diameter of 10 mm	17.5 g	578343	NPQH-D-G14-Q10-P10
		For tubing outer diameter of 12 mm	26.6 g	578344	NPQH-D-G14-Q12-P10
	Male thread G3/8	For tubing outside diameter of 8 mm	20.6 g	578345	NPQH-D-G38-Q8-P10
		For tubing outside diameter of 10 mm	22.7 g	578346	NPQH-D-G38-Q10-P10
		For tubing outer diameter of 12 mm	29.8 g	578347	NPQH-D-G38-Q12-P10
		For tubing outside diameter of 14 mm	38.3 g	578348	NPQH-D-G38-Q14-P10
Male thread G1/2	For tubing outside diameter of 10 mm	35.4 g	578349	NPQH-D-G12-Q10-P10	
	For tubing outer diameter of 12 mm	37.1 g	578350	NPQH-D-G12-Q12-P10	
	For tubing outside diameter of 14 mm	43.4 g	578351	NPQH-D-G12-Q14-P10	


Push-in fitting NPQH-D, female thread, with external hex

	Pneumatic connection, port 1	Pneumatic connection, port 2	Product weight	Part no.	Type
	Female thread G1/8	For tubing outside diameter of 4 mm	10.2 g	578352	NPQH-D-G18F-Q4-P10
		For tubing outside diameter of 6 mm	15.2 g	578353	NPQH-D-G18F-Q6-P10
		For tubing outside diameter of 8 mm	17.9 g	578354	NPQH-D-G18F-Q8-P10
	Female thread G1/4	For tubing outside diameter of 4 mm	14.6 g	578355	NPQH-D-G14F-Q4-P10
		For tubing outside diameter of 6 mm	18.7 g	578356	NPQH-D-G14F-Q6-P10
		For tubing outside diameter of 8 mm	20.3 g	578357	NPQH-D-G14F-Q8-P10

Ordering data


Push-in fitting NPQH-D with push-in sleeve					
	Pneumatic connection, port 1	Pneumatic connection, port 2	Product weight	Part no.	Type
	Male thread M5	Push-in sleeve Ø 4 mm	3.3 g	578358	NPQH-D-M5-S4-P10
		Push-in sleeve Ø 6 mm	6 g	578359	NPQH-D-M5-S6-P10
	Male thread G1/8	Push-in sleeve Ø 4 mm	7.4 g	578360	NPQH-D-G18-S4-P10
		Push-in sleeve Ø 6 mm	8.6 g	578361	NPQH-D-G18-S6-P10
		Push-in sleeve Ø 8 mm	9.6 g	578362	NPQH-D-G18-S8-P10
	Male thread G1/4	Push-in sleeve Ø 6 mm	13.9 g	578363	NPQH-D-G14-S6-P10
		Push-in sleeve Ø 8 mm	14.8 g	578364	NPQH-D-G14-S8-P10
		Push-in sleeve Ø 10 mm	15.8 g	578365	NPQH-D-G14-S10-P10
		Push-in sleeve Ø 12 mm	22.2 g	578366	NPQH-D-G14-S12-P10
	Male thread G3/8	Push-in sleeve Ø 10 mm	22.5 g	578367	NPQH-D-G38-S10-P10
Push-in sleeve Ø 12 mm		23.8 g	578368	NPQH-D-G38-S12-P10	
Male thread G1/2	Push-in sleeve Ø 12 mm	34 g	578369	NPQH-D-G12-S12-P10	

Push-in fitting NPQH-DK, male thread, with internal hex					
	Pneumatic connection, port 1	Pneumatic connection, port 2	Product weight	Part no.	Type
	Male thread M5	For tubing outside diameter of 4 mm	4.5 g	578370	NPQH-DK-M5-Q4-P10
		For tubing outside diameter of 6 mm	5.58 g	8114987	NPQH-DK-M5-Q6-P10
	Male thread M7	For tubing outside diameter of 4 mm	5.1 g	578372	NPQH-DK-M7-Q4-P10
		For tubing outside diameter of 6 mm	6.41 g	8114986	NPQH-DK-M7-Q6-P10
	Male thread G1/8	For tubing outside diameter of 4 mm	6.2 g	578374	NPQH-DK-G18-Q4-P10
		For tubing outside diameter of 6 mm	9.1 g	578375	NPQH-DK-G18-Q6-P10
		For tubing outside diameter of 8 mm	12.8 g	578376	NPQH-DK-G18-Q8-P10
		For tubing outside diameter of 10 mm	16.2 g	8114985	NPQH-DK-G18-Q10-P10
	Male thread G1/4	For tubing outside diameter of 8 mm	14.4 g	578377	NPQH-DK-G14-Q8-P10
		For tubing outside diameter of 10 mm	18.6 g	578378	NPQH-DK-G14-Q10-P10
Male thread G3/8	For tubing outer diameter of 12 mm	28.2 g	578379	NPQH-DK-G38-Q12-P10	


Push-in connector NPQH-D					
	Pneumatic connection, port 1	Pneumatic connection, port 2	Product weight	Part no.	Type
	For tubing outer diameter of 4 mm	For tubing outside diameter of 4 mm	7 g	578323	NPQH-D-Q4-E-P10
	For tubing outside diameter of 6 mm	For tubing outside diameter of 6 mm	15.1 g	578324	NPQH-D-Q6-E-P10
	For tubing outer diameter of 8 mm	For tubing outside diameter of 8 mm	18.5 g	578325	NPQH-D-Q8-E-P10
	For tubing outer diameter of 10 mm	For tubing outside diameter of 10 mm	22.8 g	578326	NPQH-D-Q10-E-P10
	For tubing outer diameter of 12 mm	For tubing outer diameter of 12 mm	37 g	578327	NPQH-D-Q12-E-P10

Ordering data


Push-in connector NPQH-D

	Pneumatic connection, port 1	Pneumatic connection, port 2	Product weight	Part no.	Type
	For tubing outer diameter of 14 mm	For tubing outside diameter of 14 mm	49.2 g	578328	NPQH-D-Q14-E-P10


Push-in connector NPQH-D, reducing


	Design	Pneumatic connection, port 1	Pneumatic connection, port 2	Product weight	Part no.	Type
	Straight design	For tubing outside diameter of 6 mm	For tubing outside diameter of 4 mm	14.9 g	578329	NPQH-D-Q6-Q4-P10
		For tubing outer diameter of 8 mm	For tubing outside diameter of 6 mm	21.4 g	578330	NPQH-D-Q8-Q6-P10
		For tubing outer diameter of 12 mm	For tubing outside diameter of 8 mm	32.5 g	578331	NPQH-D-Q12-Q8-P10
		For tubing outer diameter of 14 mm	For tubing outside diameter of 10 mm	43.2 g	578332	NPQH-D-Q14-Q10-P10
			For tubing outer diameter of 12 mm	45.8 g	578333	NPQH-D-Q14-Q12-P10


Push-in connector NPQH-D with push-in sleeve


	Design	Pneumatic connection, port 1	Pneumatic connection, port 2	Product weight	Part no.	Type
	Straight design	Push-in sleeve Ø 6 mm	For tubing outside diameter of 4 mm	6.9 g	578304	NPQH-D-S6-Q4-P10
			For tubing outside diameter of 6 mm	10.4 g	578305	NPQH-D-S6-Q6-P10
		Push-in sleeve Ø 8 mm	For tubing outside diameter of 6 mm	11.7 g	578306	NPQH-D-S8-Q6-P10
			For tubing outside diameter of 4 mm	15.4 g	578307	NPQH-D-S10-Q4-P10
			For tubing outside diameter of 6 mm	16.8 g	578308	NPQH-D-S10-Q6-P10
		Push-in sleeve Ø 10 mm	For tubing outside diameter of 8 mm	15.1 g	578309	NPQH-D-S10-Q8-P10
			For tubing outside diameter of 6 mm	22.6 g	578310	NPQH-D-S12-Q6-P10
			For tubing outside diameter of 8 mm	22.8 g	578311	NPQH-D-S12-Q8-P10
		Push-in sleeve Ø 12 mm	For tubing outside diameter of 10 mm	20.5 g	578312	NPQH-D-S12-Q10-P10
			For tubing outside diameter of 6 mm	35.7 g	578313	NPQH-D-S14-Q6-P10

Ordering data

Push-in connector NPQH-D with push-in sleeve						
	Design	Pneumatic connection, port 1	Pneumatic connection, port 2	Product weight	Part no.	Type
	Straight design	Push-in sleeve Ø 14 mm	For tubing outside diameter of 8 mm	31.1 g	578314	NPQH-D-S14-Q8-P10
			For tubing outside diameter of 10 mm	29.2 g	578315	NPQH-D-S14-Q10-P10
			For tubing outer diameter of 12 mm	27.7 g	578316	NPQH-D-S14-Q12-P10


Push-in sleeve NPQH-D						
	Design	Pneumatic connection, port 1	Pneumatic connection, port 2	Product weight	Part no.	Type
	Straight design	Push-in sleeve Ø 4 mm	Push-in sleeve Ø 4 mm	2.8 g	578317	NPQH-D-S4-E-P10
		Push-in sleeve Ø 6 mm	Push-in sleeve Ø 6 mm	5.1 g	578318	NPQH-D-S6-E-P10
		Push-in sleeve Ø 8 mm	Push-in sleeve Ø 8 mm	7.6 g	578319	NPQH-D-S8-E-P10
		Push-in sleeve Ø 10 mm	Push-in sleeve Ø 10 mm	12 g	578320	NPQH-D-S10-E-P10
		Push-in sleeve Ø 12 mm	Push-in sleeve Ø 12 mm	16.1 g	578321	NPQH-D-S12-E-P10
		Push-in sleeve Ø 14 mm	Push-in sleeve Ø 14 mm	19.1 g	578322	NPQH-D-S14-E-P10

Bulkhead push-in fitting NPQH-H, female thread, with external hex						
	Pneumatic connection, port 1	Pneumatic connection, port 2	Product weight	Part no.	Type	
	Female thread G1/8	For tubing outside diameter of 4 mm	24.6 g	578294	NPQH-H-G18F-Q4-P10	
		For tubing outside diameter of 6 mm	34.2 g	578295	NPQH-H-G18F-Q6-P10	
		For tubing outside diameter of 8 mm	42.3 g	578296	NPQH-H-G18F-Q8-P10	
	Female thread G1/4	For tubing outside diameter of 6 mm	36.4 g	578297	NPQH-H-G14F-Q6-P10	
		For tubing outside diameter of 8 mm	46.5 g	578298	NPQH-H-G14F-Q8-P10	


Push-in bulkhead connector NPQH-H						
	Design	Pneumatic connection, port 1	Pneumatic connection, port 2	Product weight	Part no.	Type
	Bulkhead	For tubing outer diameter of 4 mm	For tubing outside diameter of 4 mm	23.5 g	578299	NPQH-H-Q4-E-P10
		For tubing outside diameter of 6 mm	For tubing outside diameter of 6 mm	34.6 g	578300	NPQH-H-Q6-E-P10
		For tubing outer diameter of 8 mm	For tubing outside diameter of 8 mm	40.6 g	578301	NPQH-H-Q8-E-P10
		For tubing outer diameter of 10 mm	For tubing outside diameter of 10 mm	52 g	578302	NPQH-H-Q10-E-P10

Ordering data


Push-in bulkhead connector NPQH-H

	Design	Pneumatic connection, port 1	Pneumatic connection, port 2	Product weight	Part no.	Type
	Bulkhead	For tubing outer diameter of 12 mm	For tubing outer diameter of 12 mm	60.8 g	578303	NPQH-H-Q12-E-P10


Blanking plug NPQH-P

	Pneumatic connection, port 1	Product weight	Part no.	Type
	Push-in sleeve Ø 4 mm	2.3 g	578257	NPQH-P-S4-P10
	Push-in sleeve Ø 6 mm	3.9 g	578258	NPQH-P-S6-P10
	Push-in sleeve Ø 8 mm	7.4 g	578259	NPQH-P-S8-P10
	Push-in sleeve Ø 10 mm	12 g	578260	NPQH-P-S10-P10
	Push-in sleeve Ø 12 mm	18.5 g	578261	NPQH-P-S12-P10
	Push-in sleeve Ø 14 mm	26.5 g	578262	NPQH-P-S14-P10


Plug screw NPQH-BK


	Pneumatic connection, port 1	Product weight	Part no.	Type
	Male thread M5	0.8 g	578404	NPQH-BK-M5-P10
	Male thread M7	2.1 g	578405	NPQH-BK-M7-P10
	Male thread G1/8	4.4 g	578406	NPQH-BK-G18-P10
	Male thread G1/4	8.9 g	578407	NPQH-BK-G14-P10
	Male thread G3/8	18.5 g	578408	NPQH-BK-G38-P10
	Male thread G1/2	33 g	578409	NPQH-BK-G12-P10


Push-in L-fitting NPQH-L, can be rotated 360°, male thread, with external hex


	Pneumatic connection, port 1	Pneumatic connection, port 2	Product weight	Part no.	Type
	Male thread M5	For tubing outside diameter of 4 mm	8.9 g	578276	NPQH-L-M5-Q4-P10
		For tubing outside diameter of 6 mm	12.2 g	578277	NPQH-L-M5-Q6-P10
	Male thread M7	For tubing outside diameter of 4 mm	9.3 g	578278	NPQH-L-M7-Q4-P10
		For tubing outside diameter of 6 mm	12.5 g	578279	NPQH-L-M7-Q6-P10
	Male thread G1/8	For tubing outside diameter of 4 mm	16.3 g	578280	NPQH-L-G18-Q4-P10
		For tubing outside diameter of 6 mm	19.3 g	578281	NPQH-L-G18-Q6-P10
		For tubing outside diameter of 8 mm	22.2 g	578282	NPQH-L-G18-Q8-P10
	Male thread G1/4	For tubing outside diameter of 6 mm	22.4 g	578283	NPQH-L-G14-Q6-P10
		For tubing outside diameter of 8 mm	25.8 g	578284	NPQH-L-G14-Q8-P10
		For tubing outside diameter of 10 mm	33.1 g	578285	NPQH-L-G14-Q10-P10
		For tubing outer diameter of 12 mm	59.6 g	578286	NPQH-L-G14-Q12-P10
	Male thread G3/8	For tubing outside diameter of 8 mm	36.7 g	578287	NPQH-L-G38-Q8-P10

Ordering data

Push-in L-fitting NPQH-L, can be rotated 360°, male thread, with external hex					
	Pneumatic connection, port 1	Pneumatic connection, port 2	Product weight	Part no.	Type
	Male thread G3/8	For tubing outside diameter of 10 mm	38.2 g	578288	NPQH-L-G38-Q10-P10
		For tubing outer diameter of 12 mm	58.2 g	578289	NPQH-L-G38-Q12-P10
		For tubing outside diameter of 14 mm	62.4 g	578290	NPQH-L-G38-Q14-P10
	Male thread G1/2	For tubing outside diameter of 10 mm	42.6 g	578291	NPQH-L-G12-Q10-P10
		For tubing outer diameter of 12 mm	66.3 g	578292	NPQH-L-G12-Q12-P10
		For tubing outside diameter of 14 mm	70.7 g	578293	NPQH-L-G12-Q14-P10


Push-in L-fitting, long, NPQH-LL, can be rotated 360°, male thread, with external hex					
	Pneumatic connection, port 1	Pneumatic connection, port 2	Product weight	Part no.	Type
	Male thread G1/8	For tubing outside diameter of 4 mm	25.7 g	578263	NPQH-LL-G18-Q4-P10
		For tubing outside diameter of 6 mm	31.1 g	578264	NPQH-LL-G18-Q6-P10
		For tubing outside diameter of 8 mm	36.1 g	578265	NPQH-LL-G18-Q8-P10
	Male thread G1/4	For tubing outside diameter of 6 mm	30.9 g	578266	NPQH-LL-G14-Q6-P10
		For tubing outside diameter of 8 mm	36.2 g	578267	NPQH-LL-G14-Q8-P10
		For tubing outside diameter of 10 mm	54.3 g	578268	NPQH-LL-G14-Q10-P10
	Male thread G3/8	For tubing outside diameter of 10 mm	50.8 g	578269	NPQH-LL-G38-Q10-P10

Push-in L-connector NPQH-L					
	Pneumatic connection, port 1	Pneumatic connection, port 2	Product weight	Part no.	Type
	For tubing outer diameter of 4 mm	For tubing outside diameter of 4 mm	8.9 g	578270	NPQH-L-Q4-E-P10
	For tubing outside diameter of 6 mm	For tubing outside diameter of 6 mm	17.2 g	578271	NPQH-L-Q6-E-P10
	For tubing outer diameter of 8 mm	For tubing outside diameter of 8 mm	22.7 g	578272	NPQH-L-Q8-E-P10
	For tubing outer diameter of 10 mm	For tubing outside diameter of 10 mm	29.2 g	578273	NPQH-L-Q10-E-P10
	For tubing outer diameter of 12 mm	For tubing outer diameter of 12 mm	48.6 g	578274	NPQH-L-Q12-E-P10
	For tubing outer diameter of 14 mm	For tubing outside diameter of 14 mm	61.3 g	578275	NPQH-L-Q14-E-P10


Push-in T-fitting NPQH-T, can be rotated 360°, male thread, with external hex					
	Pneumatic connection, port 1	Pneumatic connection, port 2	Product weight	Part no.	Type
	Male thread M5	For tubing outside diameter of 4 mm	13.9 g	578390	NPQH-T-M5-Q4-P10

Ordering data


Push-in T-fitting NPQH-T, can be rotated 360°, male thread, with external hex

	Pneumatic connection, port 1	Pneumatic connection, port 2	Product weight	Part no.	Type
	Male thread M5	For tubing outside diameter of 6 mm	20.7 g	578391	NPQH-T-M5-Q6-P10
	Male thread G1/8	For tubing outside diameter of 4 mm		578392	NPQH-T-G18-Q4-P10
	Male thread G1/8	For tubing outside diameter of 6 mm	25.2 g	578393	NPQH-T-G18-Q6-P10
		For tubing outside diameter of 8 mm	30.7 g	578394	NPQH-T-G18-Q8-P10
		Male thread G1/4	For tubing outside diameter of 6 mm	29.9 g	578395
	Male thread G1/4	For tubing outside diameter of 8 mm	34.1 g	578396	NPQH-T-G14-Q8-P10
		For tubing outside diameter of 10 mm	44.4 g	578397	NPQH-T-G14-Q10-P10
		For tubing outer diameter of 12 mm	77.4 g	578398	NPQH-T-G14-Q12-P10
	Male thread G3/8	For tubing outside diameter of 8 mm	46.7 g	578399	NPQH-T-G38-Q8-P10
		For tubing outside diameter of 10 mm	50.1 g	578400	NPQH-T-G38-Q10-P10
		For tubing outer diameter of 12 mm	75.9 g	578401	NPQH-T-G38-Q12-P10
	Male thread G1/2	For tubing outside diameter of 10 mm	55.1 g	578402	NPQH-T-G12-Q10-P10
		For tubing outer diameter of 12 mm	84.2 g	578403	NPQH-T-G12-Q12-P10


Push-in T-connector NPQH-T


	Pneumatic connection, port 1	Pneumatic connection, port 2	Product weight	Part no.	Type
	For tubing outer diameter of 4 mm	For tubing outside diameter of 4 mm	12.5 g	578380	NPQH-T-Q4-E-P10
	For tubing outside diameter of 6 mm	For tubing outside diameter of 6 mm	23.2 g	578381	NPQH-T-Q6-E-P10
	For tubing outer diameter of 8 mm	For tubing outside diameter of 8 mm	28.6 g	578382	NPQH-T-Q8-E-P10
	For tubing outer diameter of 10 mm	For tubing outside diameter of 10 mm	39.8 g	578383	NPQH-T-Q10-E-P10
	For tubing outer diameter of 12 mm	For tubing outer diameter of 12 mm	63.2 g	578384	NPQH-T-Q12-E-P10
	For tubing outer diameter of 14 mm	For tubing outside diameter of 14 mm	79.9 g	578385	NPQH-T-Q14-E-P10

Push-in T-connector NPQH-T, reducing

	Pneumatic connection, port 1	Pneumatic connection, port 2	Product weight	Part no.	Type
	For tubing outside diameter of 6 mm	For tubing outside diameter of 4 mm	20.9 g	578386	NPQH-T-Q6-Q4-P10
	For tubing outer diameter of 8 mm	For tubing outside diameter of 6 mm	27.9 g	578387	NPQH-T-Q8-Q6-P10
	For tubing outer diameter of 10 mm	For tubing outside diameter of 8 mm	39.6 g	578388	NPQH-T-Q10-Q8-P10
	For tubing outer diameter of 12 mm	For tubing outside diameter of 10 mm	61.8 g	578389	NPQH-T-Q12-Q10-P10

Ordering data

Push-in Y-connector NPQH-Y					
	Pneumatic connection, port 1	Pneumatic connection, port 2	Product weight	Part no.	Type
	For tubing outside diameter of 6 mm	For tubing outside diameter of 6 mm	32 g	578410	NPQH-Y-Q6-E-P10
	For tubing outer diameter of 8 mm	For tubing outside diameter of 8 mm	44.9 g	578411	NPQH-Y-Q8-E-P10
	For tubing outer diameter of 10 mm	For tubing outside diameter of 10 mm	65.9 g	578412	NPQH-Y-Q10-E-P10

Push-in Y-connector NPQH-Y, reducing					
	Pneumatic connection, port 1	Pneumatic connection, port 2	Product weight	Part no.	Type
	For tubing outside diameter of 6 mm	For tubing outside diameter of 4 mm	35.9 g	578413	NPQH-Y-Q6-Q4-P10
	For tubing outer diameter of 8 mm	For tubing outside diameter of 6 mm	52.6 g	578414	NPQH-Y-Q8-Q6-P10
	For tubing outer diameter of 10 mm	For tubing outside diameter of 8 mm	78.1 g	578415	NPQH-Y-Q10-Q8-P10