

Type codes – Connecting cable with PUR cable sheath

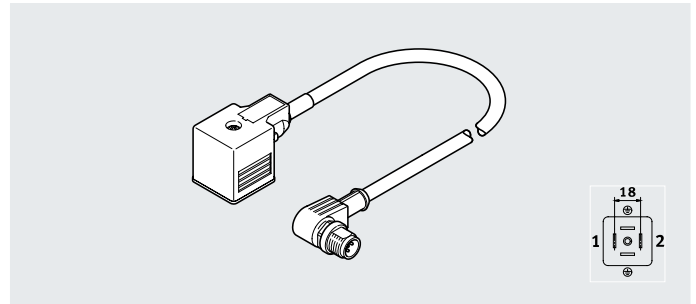
001 Series	
NEBV	Connecting cable for valves
002 Product version	
	Standard
C	Easy-to-clean design
003 Connection technology left, field device side	
A1	Socket type A, EN 175301-803
B2	Socket type B, industry standard, 11 mm
C1S	Socket type C, narrow design
H1	Socket connection pattern H
M8	Socket M8x1 A-coded, EN 61076-2-104
M12	Socket M12x1 A-coded, EN 61076-2-101
Z3	Socket connection pattern ZC, self-tapping screw
Z4	Socket connection pattern ZC, metric screw
S1	Sub-D socket
S7	Sub-D HD socket
Q7	Port pattern Q7 socket
HS	Socket connection pattern S
HP	Socket connection pattern HP
004 Cable outlet left	
	None
G	Straight
W	Angled
WA	Angled 45°
005 Number of pins/wires on the left	
2	2
3	3
4	4
8	8
9	9
15	15
25	25
37	37
44	44
006 Display	
	None
F	LED signal status, AC
L	LED signal status, DC
N	LED switching state, NPN
P	LED switching state, PNP
U	LED, UC
007 Additional socket functions	
	None
HL	Hood for MPA-L
HM	Hood for MPA-S
HS	With seal
008 Circuitry	
	None
P	Protective circuit
R	Holding current reduction with integrated protective circuit

009 Cable characteristic	
P	Basic
K	Standard
E	Suitable for energy chains
F	Food-safe to standard
010 Cable design	
	Standard
D	Double cable
M	Alternative material
N	Leads
011 Cable length [m]	
0.1	0.1
0.2	0.2
0.3	0.3
0.5	0.5
0.6	0.6
1	1
2	2
2.5	2.5
3	3
5	5
10	10
012 Cable identification	
	With label holder
N	Without label holder
013 Connection technology right, controller side	
LE	Open end
M8	Plug M8x1 A-coded, EN 61076-2-104
M12	Plug M12x1 A-coded, EN 61076-2-101
Z1	Port pattern ZB plug, self-tapping screw
014 Plug	
	None
G	Straight
W	Angled
015 Number of pins/wires on the right	
2	2
3	3
4	4
5	5
10	10
15	15
25	25
26	26
27	27
36	36
37	37
39	39
44	44
016 Degree of protection, electrical system	
	Standard
S6	IP40
S1	IP65
S9	IP65/IP67
S10	IP65/IP67/IP69K

Datasheet – Connecting cable with PUR cable sheath

Connecting cable NEBV-A1W3

- Connecting cable
- Pre-assembled at one or both ends
- For connecting valves



General technical data		
Type	NEBV-A1W3F...-LE3	NEBV-A1W3F...-M12W3r
Electrical connection 1		
Function	Field device side	
Connection type	Socket	
Cable outlet	Angled	
Design	Square	
Connection technology	Plug pattern type A based on EN 175301-803	
Number of pins/cores	4	
Assigned pins/cores	4	
Type of mounting	On solenoid valve via M3 central screw	
Electrical connection 2		
Function	Controller side	
Connection type	Cable	Plug
Cable outlet	–	Angled
Design	–	Round
Connection technology	Open end	M12x1, A-coded, to EN 61076-2-101
Number of pins/cores	3	5
Assigned pins/cores	3	3
Type of mounting	–	Screw-type lock with hexagon A/F 13 mm

Technical data – Electrical				
Nominal operating voltage		24 V AC/DC	110 V AC/DC	230 V AC/DC
Operating voltage range	[V AC]	18 ... 30	0 ... 110	0 ... 230
	[V DC]	18 ... 30	0 ... 110	0 ... 230
Surge resistance	[kV]	0.8	1.5	4
Current rating at 40 °C	[A]	4	1	10
Pollution degree		3	3	3
Switching status indication		Yellow LED	–	–
Additional functions		Protective circuit	–	–
Protective earth connection		Available	Available	Available

Technical data – Cable		
Cable composition	[mm ²]	3x 0.75
Cable diameter	[mm]	5.9
Cable diameter tolerance	[mm]	±0.3
Cable characteristic		Standard
Test conditions, cable		Test conditions on request
Cable identification		Without inscription label holder

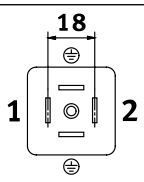
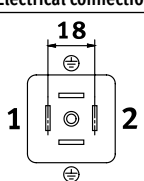
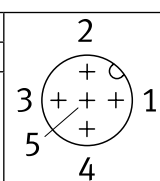
Datasheet – Connecting cable with PUR cable sheath

Materials		
Electrical connection 2	Connection technology	
	Open end	M12x1, A-coded, to EN 61076-2-101
Housing	TPE-U(PUR)	TPE-U(PUR)
Housing colour	Black	Black
Union nut	–	Nickel-plated die-cast zinc
Insulating sheath	PP	PP
Cable sheath	TPE-U(PUR)	TPE-U(PUR)
Cable sheath colour	Grey	Grey
Note on materials	RoHS-compliant	RoHS-compliant
	Contains paint-wetting impairment substances	Contains paint-wetting impairment substances

Operating and environmental conditions			
Nominal operating voltage	24 V AC/DC	110 V AC/DC	230 V AC/DC
Ambient temperature [°C]	–25 ... +80	–25 ... +80	–25 ... +80
Ambient temperature with flexible cable installation [°C]	–25 ... +80	–25 ... +80	–25 ... +80
CE marking (see declaration of conformity) ¹⁾	–	To EU Low Voltage Directive	To EU Low Voltage Directive
	–	To EU RoHS Directive	To EU RoHS Directive
Certification	c CSA us (OL)	c CSA us (OL)	c CSA us (OL)
Degree of protection	IP67	IP67	IP67
Note on degree of protection	In mounted state	In mounted state	In mounted state
Corrosion resistance class CRC2)	2	2	2

 1) More information www.festo.com/catalogue/... → Support/Downloads.

 2) More information: www.festo.com/x/topic/crc

Circuitry (socket/plug view)				
Electrical connection 1	Pin	Wire colour ¹⁾	Pin	Electrical connection 2
Electrical connection 2, connection technology open end				
	1	BK	–	Open end
	2	BK	–	Open end
	GND	GN YE	–	Open end
Electrical connection 2, connection technology M12x1, A-coded to EN 61076-2-101				
	1	BK	3	
	2	BK	4	
	GND	GN YE	5	

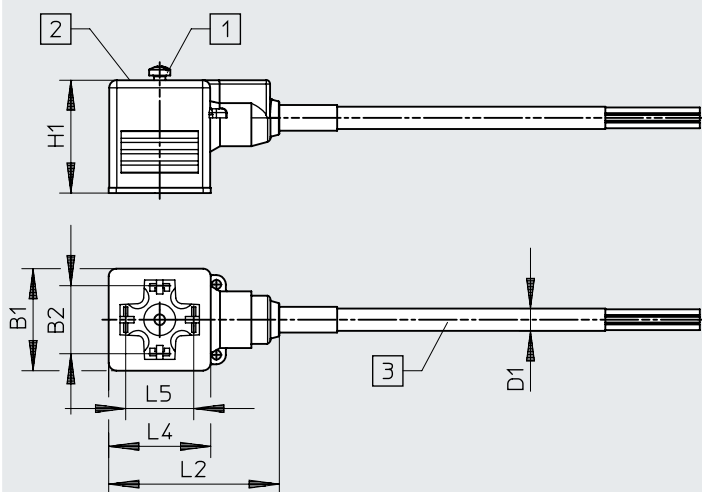
1) To IEC 757

Datasheet – Connecting cable with PUR cable sheath

Dimensions

Download CAD data → www.festo.com

Electrical connection 2, connection technology open end



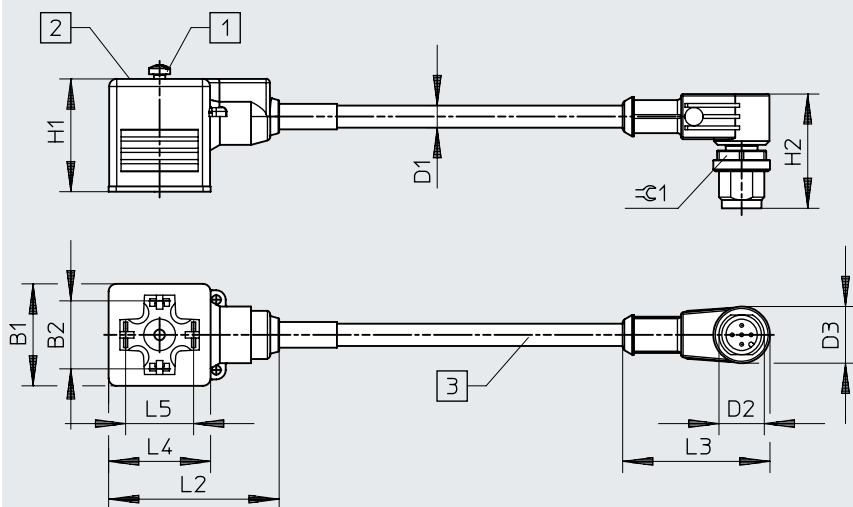
[1] Retaining screw M3

[2] Signal status indication for version P

[3] Cable, length depending on the order



Electrical connection 2, connection technology plug M12x1



[1] Retaining screw M3

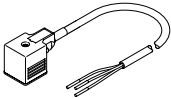
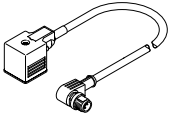
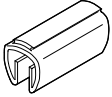
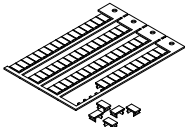
[2] Signal status indication for version P

[3] Cable, length depending on the order



Type	B1	B2	D1 ∅	D2	D3 ∅	H1	H2	L2	L3	L4	L5	⊕G1
NEBV-A1W3-...-LE3	27	18	5.9	–	–	30	–	45	–	27	18	–
NEBV-A1W3-...-M12W3	27	18	5.9	M12x1	15	30	31	45	39	27	18	13

Ordering data

Ordering data – Connecting cable with PUR cable sheath						
	Nominal operating voltage [V]		Cable length [m]	Weight [g]	Part no.	Type
Electrical connection 2, connection technology open end						
	24 AC/DC	<ul style="list-style-type: none"> • Switching status indication • Protective circuit 	0.6	80	3679776	NEBV-A1W3F-P-K-0.6-N-LE3
	230 AC/DC	–	0.6	80	3579466	NEBV-A1W3-K-0.6-N-LE3
Electrical connection 2, connection technology M12x1, A-coded to EN 61076-2-101						
	24 AC/DC	<ul style="list-style-type: none"> • Switching status indication • Protective circuit 	0.3	60	3679771	NEBV-A1W3F-P-K-0.3-N-M12W3
			0.6	100	3679772	NEBV-A1W3F-P-K-0.6-N-M12W3
	110 AC/DC	–	0.3	60	3579461	NEBV-A1W3-K-0.3-N-M12W3
			0.6	100	3579462	NEBV-A1W3-K-0.6-N-M12W3
Ordering data – Accessories						
					Part no.	Type
	Inscription labels for attaching to a cable with diameter 5 ... 8 mm		11x20 mm		33361	KM-BZ
	Inscription labels for connecting cable KMF, 64 per frame		6x10 mm		18576	IBS-6x10

Ordering data – Modular product system

Ordering table		Conditions	Code	Enter code
Module no.	8003577			
Connecting cable	Connecting cables for valves		NEBV	NEBV
Connection technology left, field device side	Socket type A, EN 175301-803		-A1	-A1
Cable outlet left	Angled		W	W
Number of pins/cores on the left	3-pin		3	3
Display	None			
	Signal status LED		F	
Circuitry	None			
	Integrated protective circuit		-P	
Cable characteristic	Standard		-K	-K
Cable length	[m] 0.3	[1]	-0.3	
	[m] 0.6		-0.6	
Cable identification	Without inscription label holder		-N	-N
Connection technology on the right, controller side	Open end		-LE	
	Plug M12x1, A-coded, EN 61076-2-101		-M12	
Cable outlet right	None			
	Angled	[1]	W	
Number of pins/cores on the right	3-pin		3	3

1) 0.3, W Only with connection technology on the right M12