

Mounting components






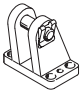
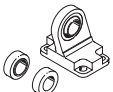


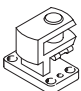

Festo Core Range
Solves the majority of your automation tasks

Worldwide: Quickest delivery – wherever, whenever
Simply good: Expected high Festo quality
Fast: Easy and fast to select

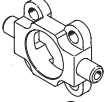
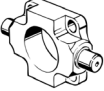
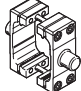
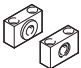
With the Festo Core Range, we have selected the most important products and functions from our broad product catalogue, and added the quickest delivery.
The Core Range offers you the best value for your automation tasks.



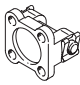
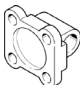
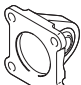
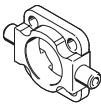



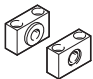










Selection aid

Mounting components Possible combinations		Swivel flange									→ Page/Internet
		SNC	SNCB	SNCS	SNG	SNGB	SUA	SZB	SZSB	SNCL	
Clevis foot											
LBN		-	-	-	-	-	■	-	■	■	4
LN		-	■	-	-	■	■	■	-	-	5
LNG		-	■	-	-	■	■	-	-	-	6
LBG		-	-	■	-	-	-	-	-	-	7
LSN		-	■	-	-	■	■	-	-	-	8
LSNG		■	-	-	■	-	-	-	-	-	9
LSNSG		■	-	-	■	-	-	-	-	-	10
LQG ¹⁾		-	-	-	-	-	-	-	-	-	11
Threaded bolt											
GBS		For swivel mounting of drives • DSEU, ESEU (ø 50/63mm)									13

1) Can be combined with rod eye SGS → www.festo.com.

Possible combinations		Trunnion flange		Trunnion flange kit		→ Page/Internet
		ZNCF	ZNG	DAMT		
						
Trunnion support						
LNZG		■	■	■		12

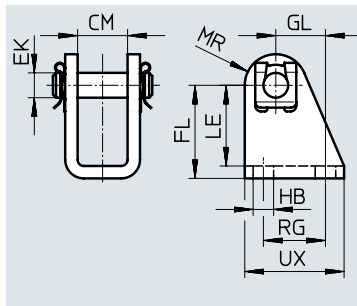
Selection aid

Fasteners – stainless steel		Possible combinations				→ Page/Internet
		Swivel flange			Trunnion flange	
		SNCB-R3	SNCL-R3	SNCS-R3	CRZNG	
						
Clevis foot						
CRLBN		-	■	-	-	4
CRLNG		■	-	-	-	6
LBG-R3		-	-	■	-	7
Trunnion support						
CRLNZG		-	-	-	■	12
Fasteners – stainless steel		Description				→ Page/Internet
Clevis foot						
CRLBN		For swivel mounting of drives • CRDSNU (ø 12 ... 25 mm)				1
Mounting accessories		Description				→ Page/Internet
Slot nut						
NST		For profile slots in linear units, drives and axes as well as guide axes				14
NST-HMV		For multi-axis systems				14
NSTL		For slides in linear drives and axes as well as guide axes				15
NSTH		For slides on heavy-duty guides HD				15
Centring pin						
ZBS		For device interfaces for drives, axes and grippers				16
Centring sleeve						
ZBH		For device interfaces for drives, axes and grippers				16
Connector sleeve						
ZBV		For device interfaces for drives, axes and grippers				17
Central mounting						
SLZZ		For device interfaces for drives and axes				18
Slot cover						
ABP		For mounting and sensor slots				18

Datasheet

Clevis foot LBN

Material:
Galvanised steel
RoHS-compliant
LABS (PWIS) conformity:
VDMA24364-B1/B2-L



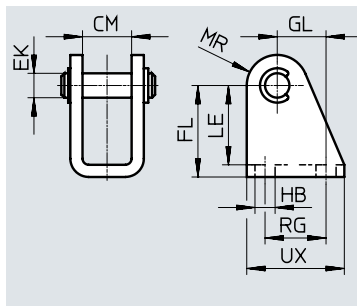
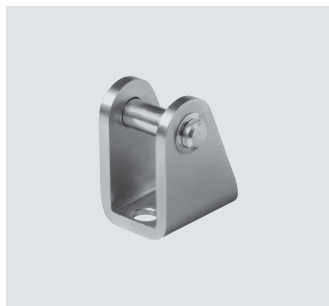
Dimensions and ordering data

For \varnothing	CM	EK \varnothing	FL	GL	HB \varnothing	LE	MR	RG	UX	CRC ¹⁾	Weight [g]	Part no.	Type
8/10	8.1	4	24 +0.3/-0.2	13.8	4.5	21.5	5	12.5	20	1	20	6057	LBN-8/10
12/16	12.1	6	27 +0.3/-0.2	13	5.5	24	7	15	25	1	40	★ 6058	LBN-12/16
20/25	16.1	8	30 +0.4/-0.2	16	6.6	26	10	20	32	1	84	★ 6059	LBN-20/25
32	16.1	10	35 +0.4/-0.2	18.5	6.6	31	11	24	35	1	110	195860	LBN-32
40	18.1	12	40 +0.4/-0.2	24.5	9	35	13	30	45	1	191	195861	LBN-40
50/63	21.1	16	45 +0.5/-0.2	28	9	39	14	34	50	1	300	195862	LBN-50/63

1) More information: www.festo.com/x/topic/crc

Clevis foot CRLBN, stainless steel

Material:
High-alloy steel
RoHS-compliant
LABS (PWIS) conformity:
VDMA24364-B1/B2-L



Dimensions and ordering data

For \varnothing	CM	EK \varnothing	FL	GL	HB \varnothing	LE	MR	RG	UX	CRC ¹⁾	Weight [g]	Part no.	Type
12/16	12.1	6	27 +0.3/-0.2	13	5.5	24	7	15	25	4	39	161862	CRLBN-12/16
20/25	16.1	8	30 +0.4/-0.2	16	6.6	26	10	20	32	4	82	161863	CRLBN-20/25
32	16.1	10	35 +0.4/-0.2	18.5	6.6	31	11	24	35	4	106	195866	CRLBN-32
40	18.1	12	40 +0.4/-0.2	24.5	9	35	13	30	45	4	185	195867	CRLBN-40
50/63	21.1	16	45 +0.5/-0.2	28	9	39	14	34	50	4	293	195868	CRLBN-50/63

1) More information: www.festo.com/x/topic/crc

Datasheet

Clevis foot LN

Material:

∅ 32 ... 50: High-alloy steel

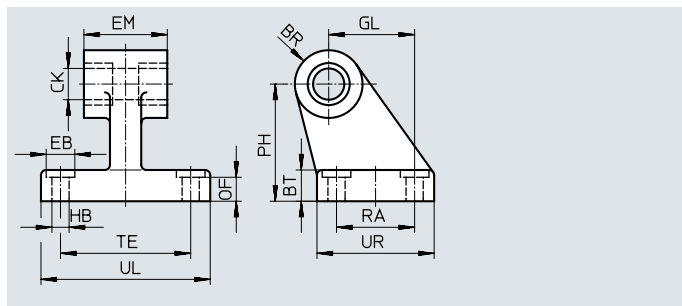
∅ 63 ... 320: Spheroidal graphite cast

iron

RoHS-compliant

LABS (PWIS) conformity:

VDMA24364-B1/B2-L



Dimensions and ordering data

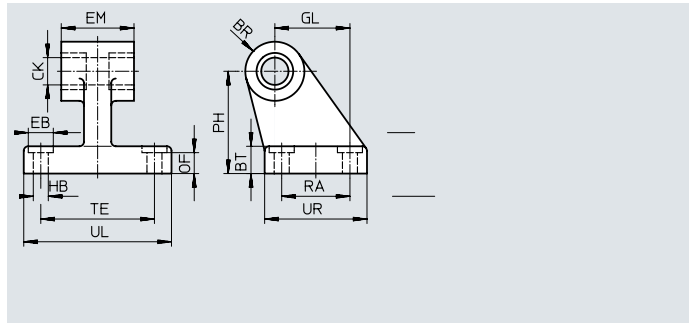
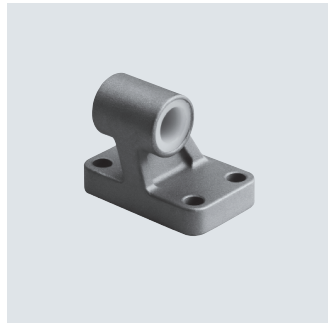
For ∅ [mm]	BR	BT	CK ∅	EB ∅ H13	EM	GL	HB ∅ H13	OF	PH	RA	TE	UL	UR	CRC ¹⁾	Weight [g]	Part no.	Type
32	10	8	10 H9	–	25.8 –0.4	21	5.5	–	32	18	38	51	31	2	149	5147	LN-32
40	11	10	12 H9	–	27.8 –0.4	24	5.5	–	36	22	41	54	35	2	192	5148	LN-40
50	12	12	12 H9	–	31.8 –0.4	33	6.6	–	45	30	50	65	45	2	323	5149	LN-50
63	14.5	12	16 H8	15	40 c11	37	6.6	10.8	50	35	52	67	51	1	545	5150	LN-63
80	14.5	14	16 H8	20	50 c11	47	9	12.7	63	40	66	86	60	1	877	5151	LN-80
100	18.5	15	20 H8	20	60 c11	55	9	13.7	71	50	76	96	70	1	1234	5152	LN-100
125	22	20	25 H8	20	70 c11	70	11	18.6	90	60	94	124	90	1	2632	9036	LN-125
160	31	25	30 H8	20	90 c11	97	14	23.6	115	88	118	156	126	1	6234	9037	LN-160
200	31	30	30 H8	26	90 c11	105	16	28.5	135	90	122	162	130	1	8678	9038	LN-200
250	38.5	35	40 H8	33	110 c11	128	22	33.5	165	110	150	200	160	1	14385	9039	LN-250
320	44.5	40	45 H8	40	120 c11	150	26	38.3	200	122	170	234	186	1	22404	9040	LN-320

1) More information: www.festo.com/x/topic/crc

Datasheet

Clevis foot LNG With plain bearing

Material:
 ∅ 32 ... 50: High-alloy steel
 ∅ 63 ... 200: Spheroidal graphite cast iron
 RoHS-compliant
 LABS (PWIS) conformity:
 VDMA24364-B2-L



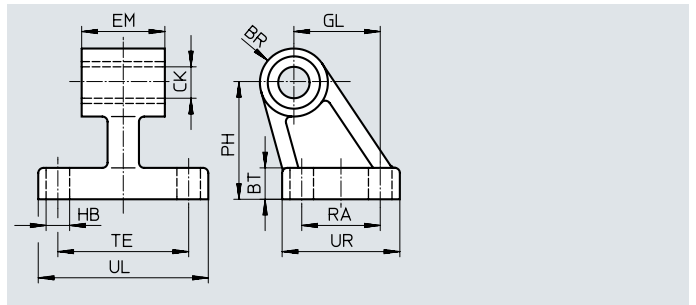
Dimensions and ordering data

For ∅ [mm]	BR	BT	CK ∅ D11	EB ∅ H13	EM	GL	HB ∅ H13	OF	PH	RA	TE	UL	UR	CRC ¹⁾	Weight [g]	Part no.	Type
32	10	8	10	–	25.8–0.4	21	6.6	–	32	18	38	51	31	2	133	★ 33890	LNG-32
40	11	10	12	–	27.8–0.4	24	6.6	–	36	22	41	54	35	2	161	★ 33891	LNG-40
50	12	12	12	–	31.8–0.4	33	9	–	45	30	50	65	45	2	281	★ 33892	LNG-50
63	15	12	16	15	40 c11	37	9	10.8	50	35	52	67	50	1	486	★ 33893	LNG-63
80	15	14	16	18	50 c11	47	11	12.7	63	40	66	86	60	1	805	★ 33894	LNG-80
100	19	15	20	18	60 c11	55	11	13.7	71	50	76	96	70	1	1141	33895	LNG-100
125	22	20	25	20	70 c11	70	14	18.6	90	60	94	124	90	1	2545	33896	LNG-125
200	31	30	30	26	90 c11	105	18	28.5	135	90	122	162	130	1	8630	33898	LNG-200

1) More information: www.festo.com/x/topic/crc

Clevis foot CRLNG, stainless steel

Material:
 Cast stainless steel
 LABS (PWIS) conformity:
 VDMA24364-B2-L



Dimensions and ordering data

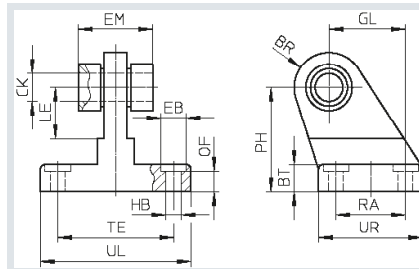
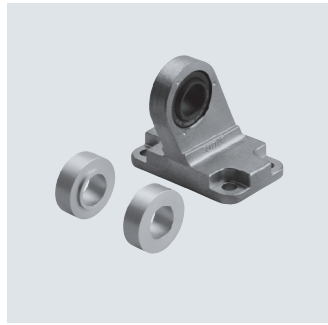
For ∅ [mm]	BR	BT	CK ∅ D11	EM	GL	HB ∅ H13	PH	RA	TE	UL	UR	CRC ¹⁾	Weight [g]	Part no.	Type
32	10	8	10	25.8	21	6.6	32	18	38	51	31	4	133	161840	CRLNG-32
40	11	10	12	27.8	24	6.6	36	22	41	54	35	4	161	161841	CRLNG-40
50	12	12	12	31.8	33	9	45	30	50	65	45	4	281	161842	CRLNG-50
63	15	12	16	39.8	37	9	50	35	52	67	50	4	370	161843	CRLNG-63
80	15	14	16	49.8	47	11	63	40	66	86	60	4	562	161844	CRLNG-80
100	19	15	20	59.8	55	11	71	50	76	96	70	4	915	161845	CRLNG-100
125	22	20	25	69.8	70	14	90	60	94	124	90	4	2539	176951	CRLNG-125

1) More information: www.festo.com/x/topic/crc

Datasheet

Clevis foot LSN with spherical bearing

Material:
 Ø 32 ... 50: High-alloy steel
 Ø 63 ... 320: Spheroidal graphite cast iron
 RoHS-compliant
 LABS (PWIS) conformity:
 VDMA24364-B2-L



Dimensions and ordering data

For Ø	BR	BT	CK Ø	EB Ø	EM	GL	HB Ø	LE	OF
[mm]	-1								
32	13	10	10 -0.008	10	25.8	21	5.5	16	4.5
40	15	10	12 -0.008	10	27.8	24	5.5	20	4.3
50	15	12	12 -0.008	11	31.8	33	6.6	22	5.2
63	20	12	16 -0.008	11	39.8	37	6.6	30	5.2
80	20	14	16 -0.008	15	49.8	47	9	31	5
100	24	15	20 -0.010	15	59.8	55	9	38	6
125	33	20	25 -0.010	22	69.8	70	11	-	18
160	36	25	30 -0.010	26	89.8	97	13.5	-	22
200	36	30	30 -0.010	30	89.8	105	16	-	27
250	43	35.5	40 -0.010	40	109.5	128	22	-	32
320	54	40.7	45 -0.010	48	119.8	150	26	-	37

For Ø	PH	RA	TE	UL	UR	CRC ¹⁾	Weight	Part no.	Type
[mm]	±0.5						[g]		
32	32	18	38	51	31	2	162	5561	LSN-32
40	36	22	41	54	35	2	219	5562	LSN-40
50	45	30	50	65	45	2	366	5563	LSN-50
63	50	35	52	67	50	1	471	5564	LSN-63
80	63	40	66	86	60	1	753	5565	LSN-80
100	71	50	76	96	70	1	1169	5566	LSN-100
125	90	60	94	124	90	1	2705	6987	LSN-125
160	115	88	118	156	126	1	5656	6988	LSN-160
200	135	90	122	162	130	1	7389	6989	LSN-200
250	165	110	150	200	160	1	13386	6990	LSN-250
320	200	122	170	234	186	1	21620	6991	LSN-320

1) More information: www.festo.com/x/topic/crc

Datasheet

Clevis foot LSNG with spherical bearing

Material:

Ø 32 ... 50:

High-alloy steel

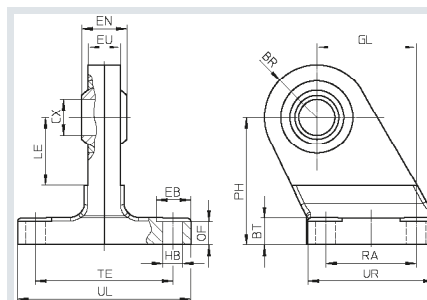
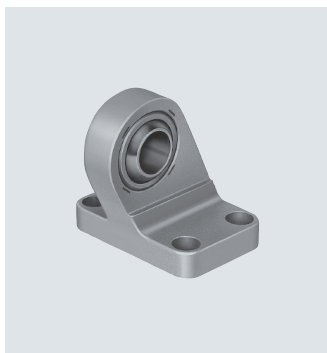
Ø 63 ... 200:

Spheroidal graphite cast iron

RoHS-compliant

LABS (PWIS) conformity:

VDMA24364-B2-L



Dimensions and ordering data

For Ø	BR	BT	CN Ø	EB Ø	EN	EU	GL	HB Ø	OF
[mm]				+0.5	-0.1	-0.2	js14	H13	
32	15	10 ±0.2	10 +0.013	–	14	10.5	21	6.6	8.5 +0.8
40	17	10 ±0.2	12 +0.015	–	16	12	24	6.6	8.5 +0.8
50	20	12 ±0.2	16 +0.015	–	21	15	33	9	10.5 +0.8
63	21+1.5/-0.5	12 ±0.6	16 +0.015	–	21	15	37	9	10.5 +0.8
80	26+1.5/-0.5	14 ±0.6	20 +0.018	–	25	18	47	11	12 +0.8
100	29	15 ±0.6	20 +0.018	–	25	18	55	11	13 +0.8
125	39	20 ±0.7	30 +0.018	20	37	25	70	14	17 +1
160	42	25 ±0.7	35 +0.021	20	43	28	97	14	21 +1
200	42	30 ±0.7	35 +0.021	26	43	28	105	18	26.5 +1

For Ø	PH	RA	TE	UL	UR	CRC ¹⁾	Weight	Part no.	Type
[mm]	js14	js14	js14				[g]		
32	32	18	38	51	31	2	172	31740	LSNG-32
40	36	22	41	54	35	2	228	31741	LSNG-40
50	45	30	50	65	45	2	416	31742	LSNG-50
63	50	35	52	67 ⁺¹	50 ⁺¹	1	541	31743	LSNG-63
80	63	40	66	86 ⁺¹	60 ⁺¹	1	997	31744	LSNG-80
100	71	50	76	96 ₋₁	70 ₋₁	1	1358	31745	LSNG-100
125	90	60	94	124 ₋₁	90 ₋₁	1	3071	31746	LSNG-125
160	115	88	118	156 ₋₁	126 ₋₁	1	6001	152599	LSNG-160
200	135	90	122	162 ₋₁	130 ₋₁	1	7368	152600	LSNG-200

1) More information: www.festo.com/x/topic/crc

Datasheet

Clevis foot LSNSG

Weldable,
with spherical bearing

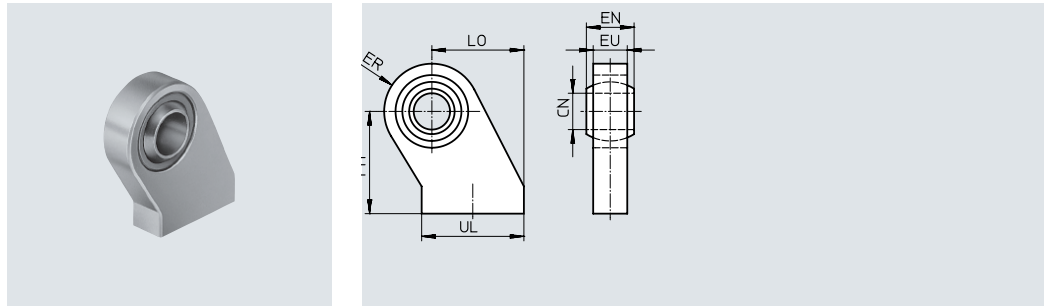
Material:

∅ 32 ... 125: Galvanised steel

RoHS-compliant

LABS (PWIS) conformity:

VDMA24364-B1/B2-L



Dimensions and ordering data

For ∅	CN ∅	EN	ER	EU	LO	PH	UL	CRC ¹⁾	Weight	Part no.	Type
[mm]		-0.1	±0.5		±0.5	js15			[g]		
32	10 +0.013	14	15.5	10±0.3	27.5	32	28.5	1	105	31747	LSNSG-32
40	12 +0.015	16	17.5	12±0.3	30.5	36	33.5	1	160	31748	LSNSG-40
50	16 +0.015	21	20.5	15±0.3	40.5	45	43.5	1	300	31749	LSNSG-50
63	16 +0.015	21	22.5	15±0.3	44.5	50	48	1	370	31750	LSNSG-63
80	20 +0.018	25	28.5	18±0.5	57	63	58	1	700	31751	LSNSG-80
100	20 +0.018	25	29.5	18±0.5	65	71	67.5	1	830	31752	LSNSG-100
125	30 +0.018	37	39.5	25±0.5	85	90	87.5	1	1960	31753	LSNSG-125

1) More information: www.festo.com/x/topic/crc

Datasheet

Right-angle clevis foot LQG

The pivot pin is secured against rotation with a spring pin.

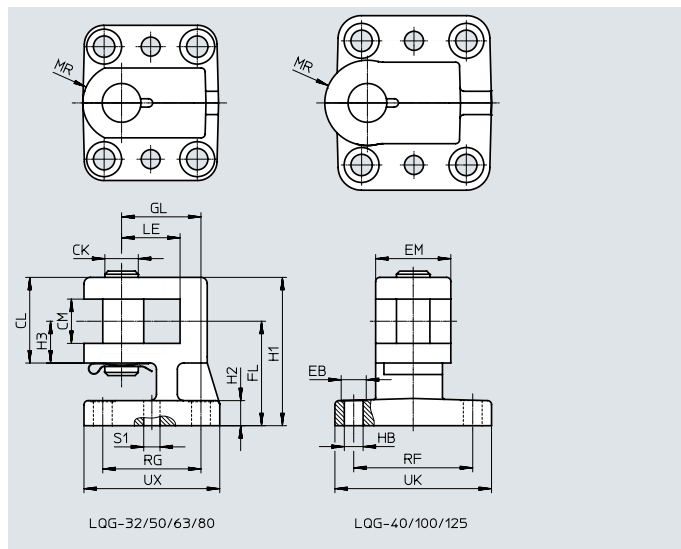
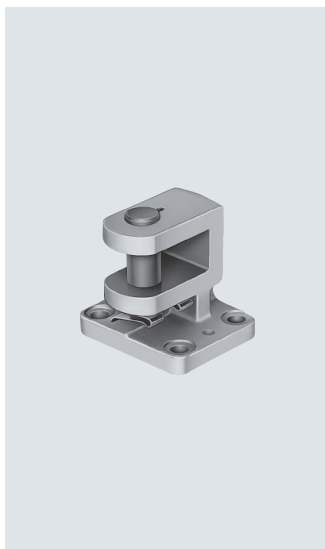
Material:

Spheroidal graphite cast iron

RoHS-compliant

LABS (PWIS) conformity:

VDMA24364-B1/B2-L



Dimensions and ordering data

For \varnothing [mm]	CK \varnothing h9	CL	CM +0.2	EB \varnothing	EM	FL	GL	H1	H2	H3	HB \varnothing
32	10	27	14.2	11	25	32 ± 0.3	22 ± 0.3	45 ± 0.5	9	14	6.6
40	12	31	16.2	11	25	36 js14	22 js14	52 ± 0.5	9	15	6.6
50	16	41	21.2	15	32	45 js14	36 js14	66 ± 0.5	9	20	9
63	16	41	21.2	15	36	50 js14	38 js14	71	12	20	9
80	20	51	25.1	18	36	63 js14	39 js14	89	14	25	11
100	20	51	25.1	18	42	71 js14	51 js14	97	14	25	11
125	30	80	37.1	19	50	90 ± 0.4	60 js14	130	20	40	14

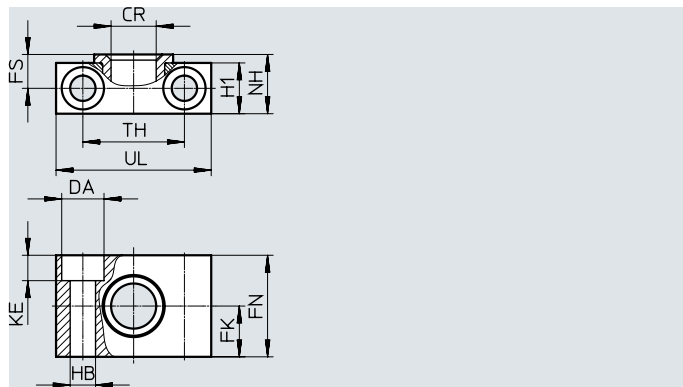
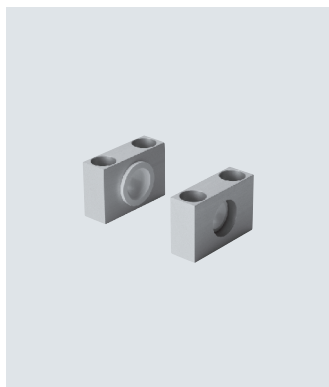
For \varnothing [mm]	LE	MR	RF	RG	S1 \varnothing	UK	UX	CRC ¹⁾	Weight [g]	Part no.	Type
32	18	12.5	40 ± 0.3	29 ± 0.3	4.8	56	45	1	301	31768	LQG-32
40	22	15	40 js14	29 js14	5.8	56	45	1	369	31769	LQG-40
50	28	18	52 js14	40 js14	5.8	70	58	1	706	31770	LQG-50
63	28	18	57 js14	47 js14	7.8	75	65	1	784	31771	LQG-63
80	31	20	58 js14	48 js14	9.8	80	70	1	1125	31772	LQG-80
100	34	22	64 js14	54 js14	9.8	90	80	1	1492	31773	LQG-100
125	38	32	104 js14	70 js14	11.5	130	96	1	3774	31774	LQG-125

1) More information: www.festo.com/x/topic/crc

Datasheet

Trunnion support LNZG

Material:
 Trunnion support:
 Ø 32 ... 125: Anodised aluminium
 Ø 160 ... 320: Galvanised steel
 Plain bearing:
 Ø 32 ... 200: Plastic
 Ø 250 ... 320: Sintered bronze RoHS compliant
 LABS (PWIS) conformity:
 VDMA24364-B2-L



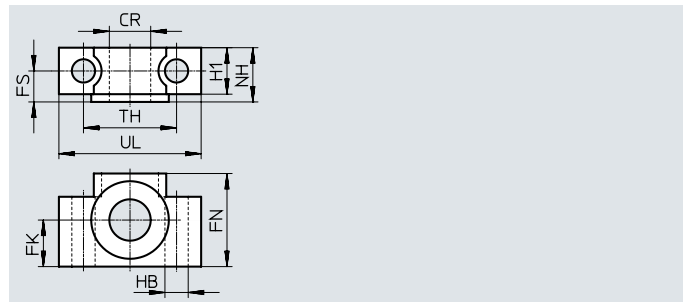
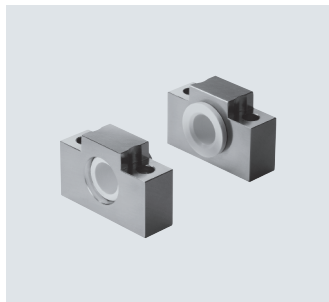
Dimensions and ordering data

For Ø [mm]	CR Ø	DA Ø H13	FK Ø	FN	FS	H1	HB Ø H13	KE	NH	TH	UL	CRC ¹⁾	Weight [g]	Part no.	Type
32	12 D11	11	15 ±0.1	30	10.5	15	6.6	6.8	18	32 ±0.2	46	2	83	32959	LNZG-32
40/50	16 D11	15	18 ±0.1	36	12	18	9	9	21	36 ±0.2	55	2	129	32960	LNZG-40/50
63/80	20 D11	18	20 ±0.1	40	13	20	11	11	23	42 ±0.2	65	2	178	32961	LNZG-63/80
100/125	25 D11	20	25 ±0.1	50	16	24.5	14	13	28.5	50 ±0.2	75	2	306	32962	LNZG-100/125
160/200	32 D11	26	30 ±0.2	60	22.5	36	18	17	40	60 ±0.3	92	2	659	35780	LNZG-160/200
250	40 G7	33	35 ±0.2	70	27.5	45	22	21.5	50	90 ±0.3	140	2	2218	157516	LNZG-250
320	50 G7	40	40 ±0.2	80	32.5	55	26	21.5	60	100 ±0.3	150	2	2934	157517	LNZG-320

1) More information: www.festo.com/x/topic/crc

Trunnion support CRLNZG, stainless steel

Material:
 High-alloy steel
 RoHS-compliant
 LABS (PWIS) conformity:
 VDMA24364-B2-L



Dimensions and ordering data

For Ø [mm]	CR Ø D11	FK Ø ±0.1	FN	FS	H1	HB Ø H13	NH	TH ±0.2	UL	CRC ¹⁾	Weight [g]	Part no.	Type
32	12	15	30	10.5	15	6.6	18	32	46	4	205	161874	CRLNZG-32
40/50	16	18	36	12	18	9	21	36	55	4	323	161875	CRLNZG-40/50
63/80	20	20	40	13	20	11	23	42	65	4	435	161876	CRLNZG-63/80
100	25	25	50	16	24.5	14	28.5	50	75	4	738	161877	CRLNZG-100/125

1) More information: www.festo.com/x/topic/crc

Datasheet

Threaded bolt GBS

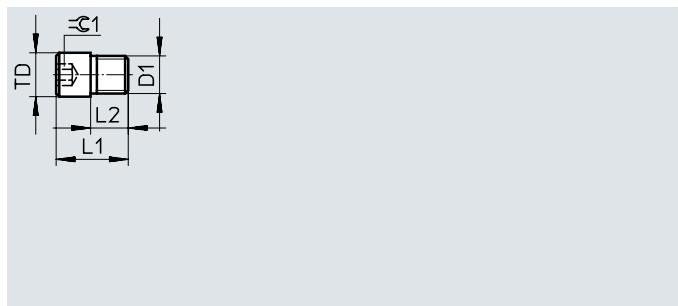
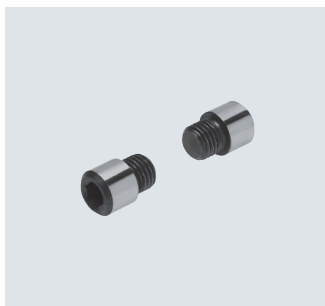
For swivel mounting of drives with appropriate design.

Material:

Case-hardened steel

LABS (PWIS) conformity:

VDMA24364-B2-L



Dimensions and ordering data									
For \varnothing	D1	L1	L2	TD	± 0.1	CRC ¹⁾	Weight	Part no.	Type
[mm]				\varnothing f8			[g]		
32	M8x1	14.5	6.5 ±0.1	10	5	2	10	9236	GBS-32
40	M10x1	18.5	9 ±0.1	12	6	2	20	9237	GBS-40
50	M12x1.5	23	12 ±0.2	14	6	2	40	9238	GBS-50
63	M14x1.5	29	16 ±0.2	16	8	2	65	9239	GBS-63

1) More information: www.festo.com/x/topic/crc

Datasheet

Slot nut NST, ABAN

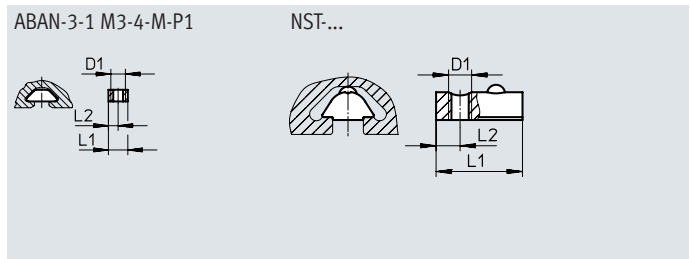
For profile slots in linear units, drives and axes as well as guide axes

Material:

Non-alloyed tempered steel

LABS (PWIS) conformity:

VDMA24364-B2-L



Dimensions and ordering data							
D1	L1	L2	CRC ¹⁾	Weight	Part no.	Type	PU ²⁾
	±0.5			[g]			
M3	4	2	1	0.3	558045	ABAN-3-1 M3-4-M-P1	1
M5	12	4	2	3	150914	NST-5-M5	1
					8047843	NST-5-M5-10	10
					8047878	NST-5-M5-50	50
M6	22.5	6.25	2	11	150915	NST-8-M6	1
					8047868	NST-8-M6-10	10
					8047869	NST-8-M6-50	50

1) More information: www.festo.com/x/topic/crc

2) Packaging unit

Slot nut NST-HMV

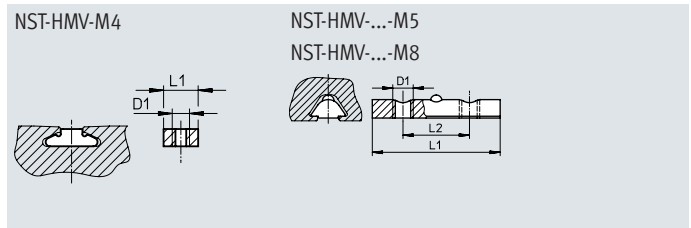
For multi-axis systems

Material:

Non-alloyed tempered steel

LABS (PWIS) conformity:

VDMA24364-B2-L



Dimensions and ordering data							
D1	L1	L2	CRC ¹⁾	Weight	Part no.	Type	PU ²⁾
	±0.5			[g]			
M4	–	–	2	2	526091	NST-HMV-M4	10
M5	24	12.5	2	7	526094	NST-HMV-5-2-M5	
M8	50	26	2	22	526093	NST-HMV-8-2-M8	

1) More information: www.festo.com/x/topic/crc

2) Packaging unit

Datasheet

Slot nut NSTL

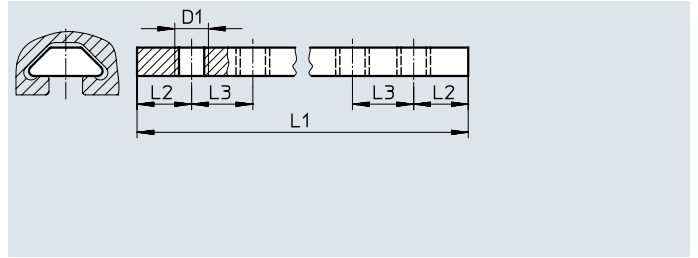
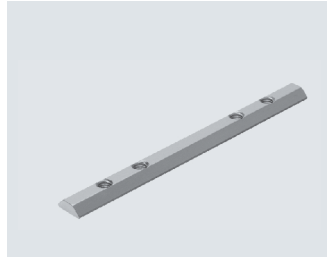
For slides in linear drives and axes as well as guide axes

Material:

Non-alloyed tempered steel

LABS (PWIS) conformity:

VDMA24364-B2-L



Dimensions and ordering data								
D1	L1 ±0.5	L2	L3	CRC ¹⁾	Weight [g]	Part no.	Type	PU ²⁾
M5	100	13	15	2	23	158410	NSTL-25	1
	128	14	15	2	30	158411	NSTL-32	
	166	25	20	2	40	158412	NSTL-40	
M8	199	24	20	2	138	158413	NSTL-50	
	229	30	35	2	160	158414	NSTL-63	
	319	30	35	2	228	161356	NSTL-80	

1) More information: www.festo.com/x/topic/crc

2) Packaging unit

Slot nut NSTH

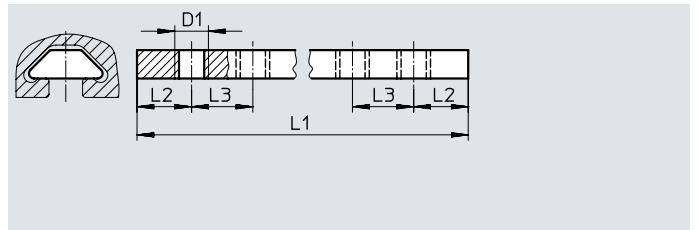
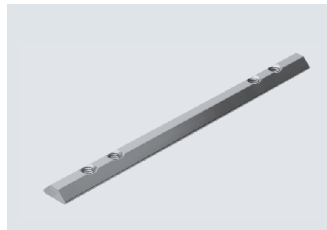
For slides on heavy-duty guides HD

Material:

Non-alloyed tempered steel

LABS (PWIS) conformity:

VDMA24364-B2-L



Dimensions and ordering data								
D1	L1 ±0.5	L2	L3	CRC ¹⁾	Weight [g]	Part no.	Type	PU ²⁾
M3	89	15	15	2	7	161018	NSTH-8	1
M5	119	15	15	2	28	161019	NSTH-12	
	159	25	20	2	38	161020	NSTH-18	
M8	209	25	20	2	146	161021	NSTH-25	
	259	30	35	2	184	161022	NSTH-40	

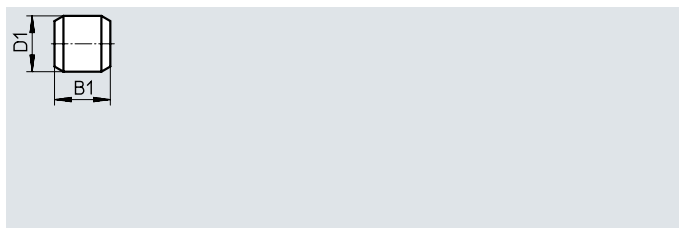
1) More information: www.festo.com/x/topic/crc

2) Packaging unit

Datasheet

Centring pin ZBS

Material:
Steel, stainless
RoHS-compliant
LABS (PWIS) conformity:
VDMA24364-B2-L



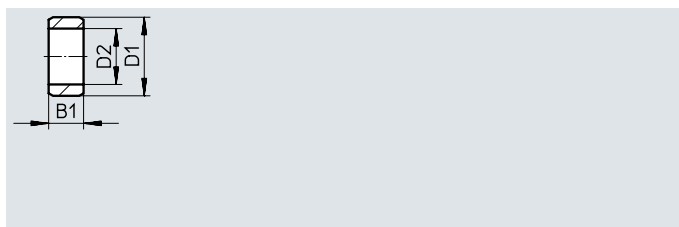
Dimensions and ordering data							
D1 ∅	B1	CRC ¹⁾	Weight [g]	Part no.	Type	PU ²⁾	
h8	-0.2						
2	5	2	1	525273	ZBS-2	10	
4	5	2	1	562959	ZBS-4		
5	5	2	1	150928	ZBS-5		

1) More information: www.festo.com/x/topic/crc

2) Packaging unit

Centring sleeve ZBH

Material:
Steel, stainless
RoHS-compliant
LABS (PWIS) conformity:
VDMA24364-B2-L



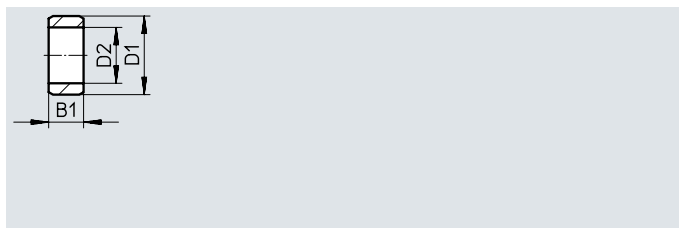
Dimensions and ordering data							
D1 ∅	B1	D2 ∅	CRC ¹⁾	Weight [g]	Part no.	Type	PU ²⁾
	-0.2						
5 _{h7}	2.4	3.2	2	0.2	8210493	ZBH-5	10
5 _{h8}	2.4	4.2	2	0.1	8119593	ZBH-5-M4	
7 _{h7}	3	5.3	2	0.4	8210495	ZBH-7	
9 _{h7}	4	6.4	2	0.9	8210498	ZBH-9	
12 _{h7}	5	10.3 ^{+0.1}	2	1.1	8210496	ZBH-12	
15 _{h7}	6	12.4	2	3	191409	ZBH-15	
25 _{h7}	6.9	17	2	4	8023856	ZBH-25	

1) More information: www.festo.com/x/topic/crc

2) Packaging unit

Centring sleeve ZBH-B

Material:
Steel, stainless
RoHS-compliant
LABS (PWIS) conformity:
VDMA24364-B2-L



Dimensions and ordering data							
D1 ¹⁾ ∅	B1	D2 ∅	CRC ²⁾	Weight [g]	Part no.	Type	PU ³⁾
	±0.1						
5	2.3	3.6	2	1	8146543	ZBH-5-B	10
7	2.9	5.6	2	1	8146544	ZBH-7-B	
9	3.9	6.4	2	2	8137184	ZBH-9-B	
12	4.9	10.3	2	1	8137185	ZBH-12-B	

1) Diameter suitable for installation space H7

2) More information: www.festo.com/x/topic/crc

3) Packaging unit

- ⚠ - Note: The centring sleeves ZBH-...-B will be slightly pretensioned during assembly due to their slotted shape.

Datasheet

Connector sleeve ZBV

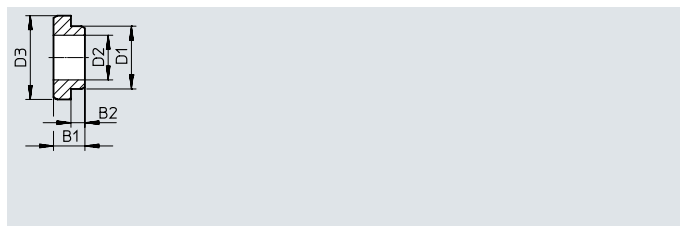
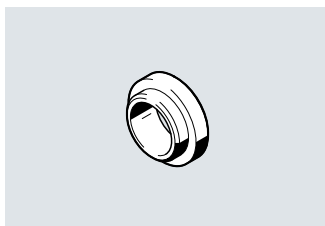
Material:

Steel

RoHS-compliant

LABS (PWIS) conformity:

VDMA24364-B1/B2-L



Dimensions and ordering data

B1	B2	D1 ∅ h7	D2 ∅	D3 ∅ h7	CRC ¹⁾	Weight [g]	Part no.	Type	PU ²⁾
2.8	1.3	5	4 +0.05	6	2	0.26	571033	ZBV-6-5	10
3	1.5	6	5.3	7	2	0.25	560252	ZBV-7-6	
3.5	1.5	7	5.3	8	2	0.63	571034	ZBV-8-7	
3.4	1.5	7	5.5	9	2	1	548805	ZBV-9-7	
4	2	8	6.4	9	2	0.75	560253	ZBV-9-8	
4	2	9	6.4	10	2	1.2	560254	ZBV-10-9	
4.5	2	9	6.4	12	2	2	548806	ZBV-12-9	
4.5	2	10	6.4	12	2	2.3	571035	ZBV-12-10	
5	2.5	12	10.3	14	2	1.9	560255	ZBV-14-12	

1) More information: www.festo.com/x/topic/crc

2) Packaging unit

Datasheet

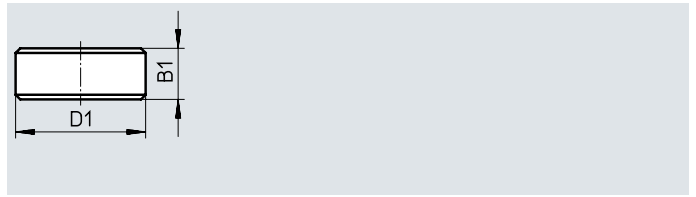
Central mounting SLZZ

Material:

Steel, stainless

LABS (PWIS) conformity:

VDMA24364-B2-L



Dimensions and ordering data

D1 ∅ h8	B1	CRC ¹⁾	Weight [g]	Part no.	Type
14	5	2	21	150900	SLZZ-16/10
25	5.5	2	40	150901	SLZZ-25/16
25	5.5	2	84	150904	SLZZ-50/40

1) More information: www.festo.com/x/topic/crc

Slot cover ABP

For mounting slots

Slot cover ABP-5-S

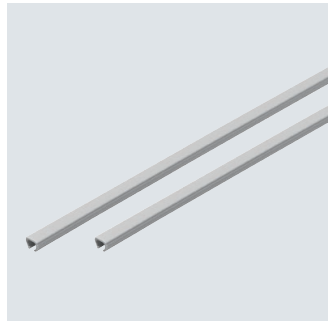
For sensor slots

Material:

Acrylbutadiene styrene

LABS (PWIS) conformity:

VDMA24364-B2-L



Ordering data

Type of slot	Length [m]	Weight [g]	Part no.	Type	PU ¹⁾
Mounting slot	0.5	16	151681	ABP-5	2
	0.5	42	151682	ABP-8	
Sensor slot	0.5	15	151680	ABP-5-S	
	0.5	13	563360	ABP-5-S1	

1) Packaging unit