

Air gun LSP

FESTO



Characteristics

At a glance

Air gun with lever operation, integrated air-saving function and interchangeable nozzles.

- Fine, infinitely variable dosing of the flow rate via lever actuation
- Aluminium or plastic version
- Replaceable nozzles

Diagrams

[Link](#)  [lsp](#)



The diagrams shown in this document are also available online. These can be used to display precise values.

Datasheet

General technical data

Exhaust-air function	Metered blowing
Pneumatic connection	Female thread G1/4
Sound pressure level	90 dB(A)
Standard nominal flow rate (standardised to DIN 1343)	120 l/min

Operating and environmental conditions

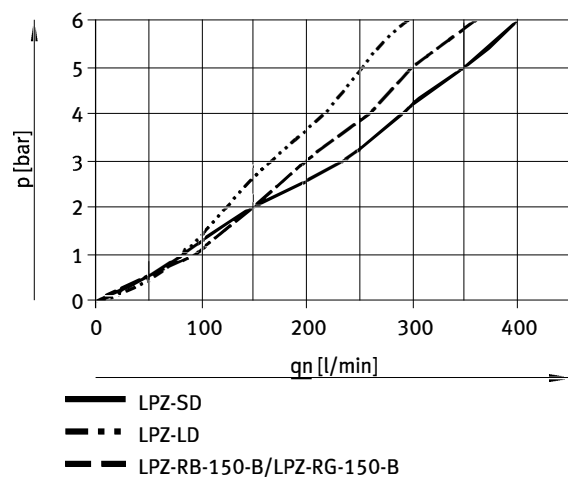
Operating pressure	0 ... 10 bar
Operating medium	Compressed air to ISO 8573-1:2010 [7:-:-]
Note on operating and pilot medium	Lubricated operation possible (in which case lubricated operation will always be required)
Ambient temperature	-10 ... 50°C
Corrosion resistance class CRC ¹⁾	1 - Low corrosion stress

1) More information www.festo.com/x/topic/crc

Materials

Material housing	Wrought aluminium alloy PA6 reinforced
Note on materials	RoHS-compliant
LABS (PWIS) conformity	VDMA24364 zone III

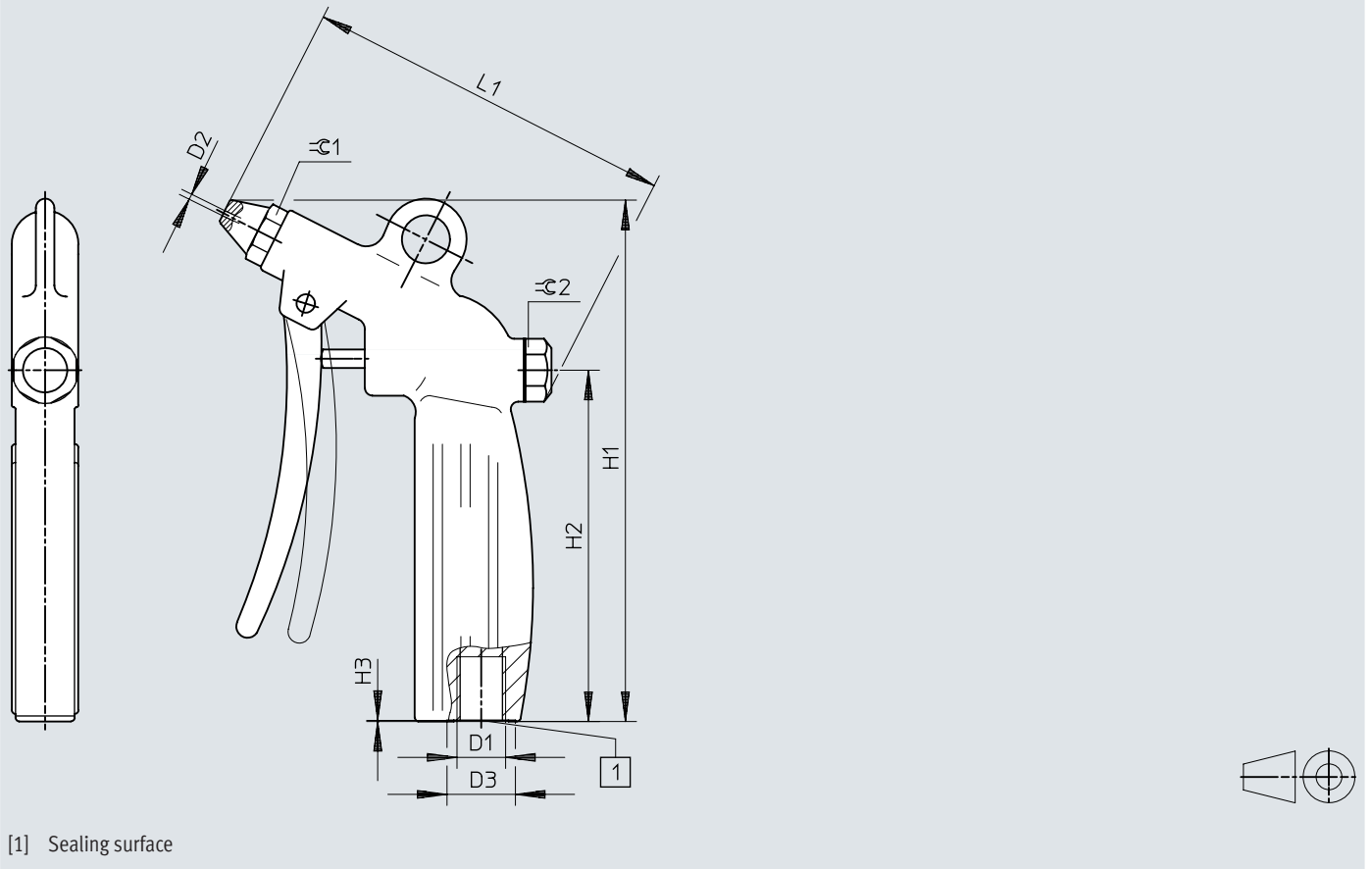
Nominal flow rate q_n with fully actuated lever as a function of the output pressure p (LSP-1/4-C)



Dimensions

Dimensions – Low consumption air guns LSP-1/4-D

Download CAD data www.festo.com

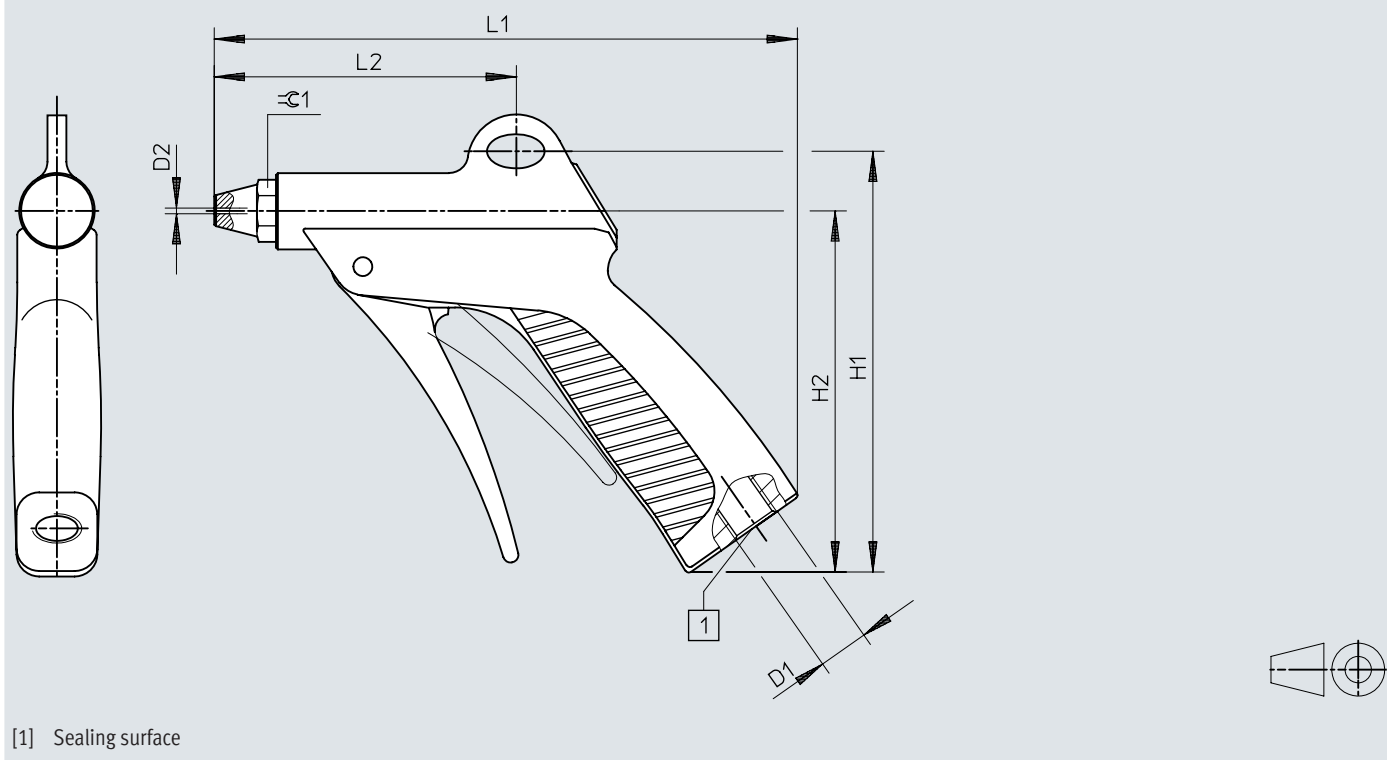


[1] Sealing surface

	D1	D2	D3	H1	H2	H3	L1	$\varnothing 1$	$\varnothing 2$
LSP-1/4-D	G1/4	1,5	18,5	141	95	0,3	101	14	17

Dimensions

Dimensions – Low consumption air guns LSP-1/4-C

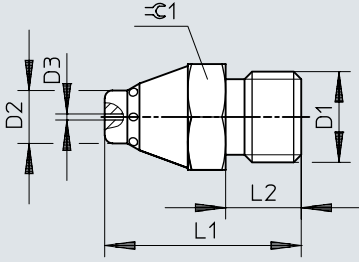
Download CAD data www.festo.com

	D1	D2	H1	H2	L1	L2	∅1
LSP-1/4-C	G1/4	1,5	112	96,2	154,4	80	14

Dimensions

Dimensions – Air gun nozzle LPZ-SD with protective air shield

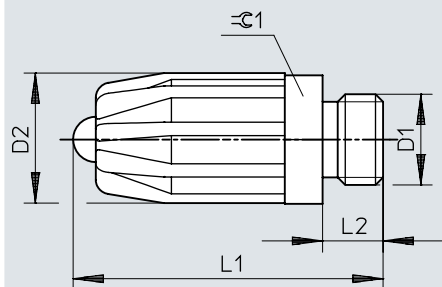
Download CAD data www.festo.com



	D1	D2	D3	L1	L2	$\approx C1$
LPZ-SD	M12x1,25	7 ∅	0,8 ∅	26	10	14

Dimensions

Dimensions – Air gun nozzle LPZ-LD with noise reduction

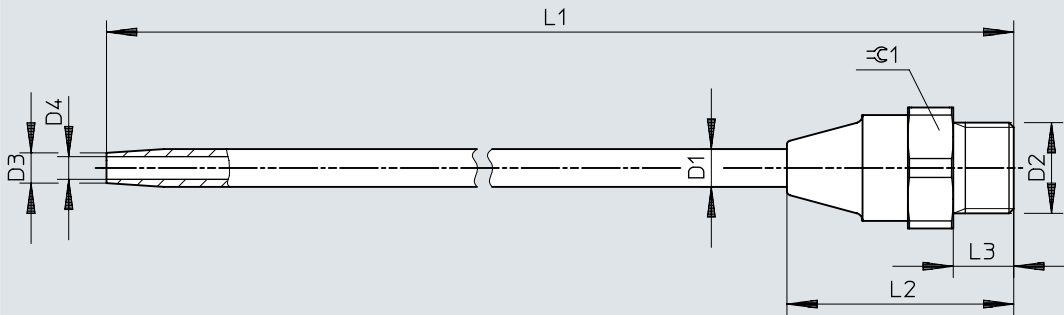
Download CAD data www.festo.com

	D1	D2 ∅	L1	L2	± 0.1
LPZ-LD	M12x1,25	17,6	41	8	17

Dimensions

Dimensions – Air gun nozzle LPZ-RG-150-B, straight tube

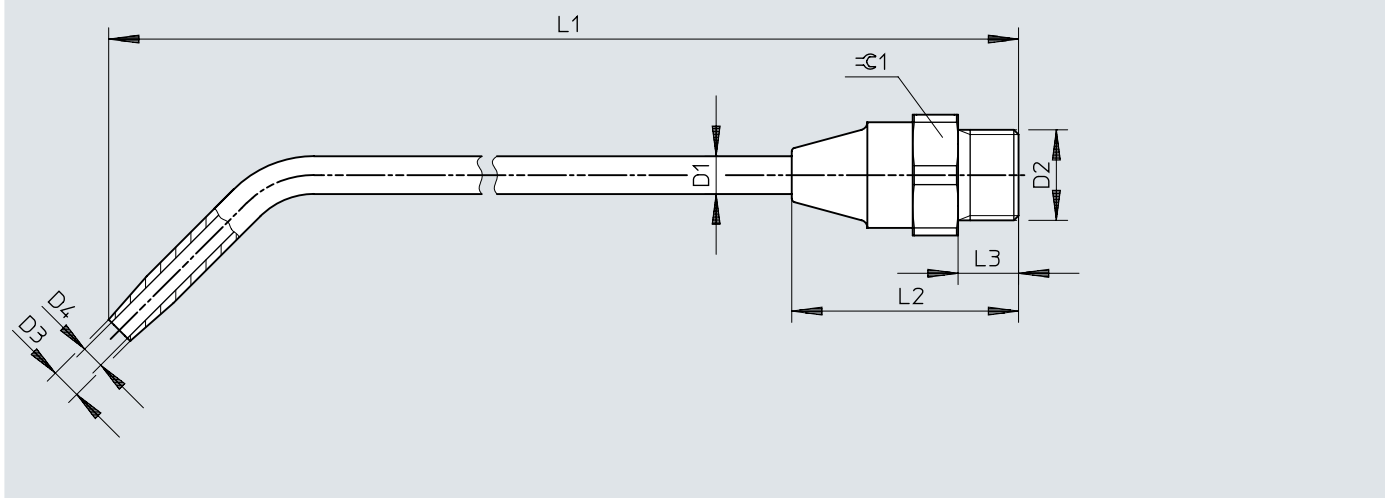
Download CAD data www.festo.com



	D1 ∅	D2	D3 ∅	D4 ∅	L1	L2	L3	=C1
LPZ-RG-150-B	5	M12x1,25	4	3	173	30	8	17


Dimensions


Dimensions – Air gun nozzle LPZ-RB-150-B, elbow tube

Download CAD data www.festo.com

	D1 ∅	D2	D3 ∅	D4 ∅	L1	L2	L3	≡C 1
LPZ-RB-150-B	5	M12x1,25	4	3	168	30	8	17

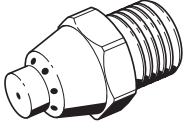
Ordering data

Ordering data – Aluminium housing					
	Pneumatic connection	Material housing	Product weight	Part no.	Type
	Female thread G1/4	Wrought aluminium alloy	240 g	35528	LSP-1/4-D

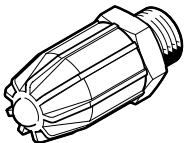
Ordering data – Plastic housing					
	Pneumatic connection	Material housing	Product weight	Part no.	Type
	Female thread G1/4	PA6 reinforced	125 g	184318	LSP-1/4-C

Accessories

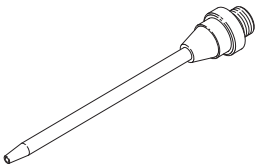
Air gun nozzle LPZ-SD with protective air shield

	Pneumatic connection	Sound pressure level	Material housing	Part no.	Type
	Male thread M12x1.25	80 dB(A)	Aluminium	184321	LPZ-SD

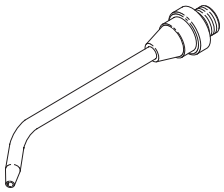
Air gun nozzle LPZ-LD with noise reduction

	Pneumatic connection	Material housing	Part no.	Type
	Male thread M12x1.25	Aluminium, Die-cast zinc, Chrome-plated	184322	LPZ-LD

Air gun nozzle LPZ-RG-150-B, straight tube

	Pneumatic connection	Sound pressure level	Material housing	Part no.	Type
	Male thread M12x1.25	90 dB(A)	Brass, Nickel-plated	565317	LPZ-RG-150-B

Air gun nozzle LPZ-RB-150-B, elbow tube

	Pneumatic connection	Sound pressure level	Material housing	Part no.	Type
	Male thread M12x1.25	90 dB(A)	Brass, Nickel-plated	565316	LPZ-RB-150-B