

Micro filter LFMA

FESTO



Characteristics

At a glance

High-efficiency filter for special requirements.

- Air quality to ISO 8573-1:2010
- With or without connecting plates

Diagrams

Link [lfma-d](#)



The diagrams shown in this document are also available online. These can be used to display precise values.

Version

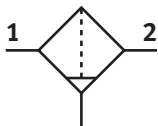
[D] D series, metal

Sturdy in full metal design for the specific requirements of the process automation industry

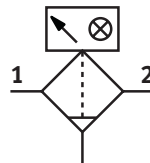
Filter change sensing

Optionally with differential pressure display for indicating filter contamination.

[] None



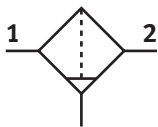
[DA] Differential pressure display, visual



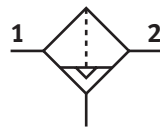
Condensate drain

Optionally with manual or fully automatic condensate drain

[] Manually rotating



[A] Fully automatic



Type code

001	Series
LFMA	Micro filter
002	Pneumatic connection
	None
1/8	Female thread G1/8
1/4	Female thread G1/4
3/8	Female thread G3/8
1/2	Female thread G1/2
3/4	Female thread G3/4
1	Female thread G1
003	Version
D	D series, metal

004	Size
MINI	Grid dimension 40 mm (without connecting plates)
MIDI	Grid dimension 55 mm (without connecting plates)
MAXI	Grid dimension 66 mm (without connecting plates)
005	Filter change sensing
	None
DA	Differential pressure display, visual
006	Condensate drain
A	Fully automatic
	Manually rotating

Datasheet

General technical data				
Size	Maxi		Midi	Mini
Pneumatic connection, port 1	Sub-base, G1/2, G3/4, G1		Sub-base, G1/4, G3/8, G1/2, G3/4	
Pneumatic connection, port 2	Sub-base, G1/2, G3/4, G1		Sub-base, G1/4, G3/8, G1/2, G3/4	
Design	Fibre filter			
Type of mounting	Either: In-line installation With accessories			
Mounting position	Vertical +/-5°			
Grade of filtration	0.01 µm			
Air purity class at output	Compressed air to ISO 8573-1:2010 [1:7:2] Inert gases			
Filter efficiency	99.99 ... 100%		100%	
Bowl guard	Metal bowl guard			
Condensate drain	Fully automatic Manually rotating			
Differential pressure display	Visual display			
Residual oil content	0.01 ... 0.5 mg/m ³		0.01 mg/m ³	
Max. condensate volume	-			

Standard nominal flow rate q _N (measured at p ₁ = 6 bar)										
Size	Maxi			Midi				Mini		
Pneumatic connection, port 1	G1/2	G3/4	G1	G1/4	G3/8	G1/2	G3/4	G1/8	G1/4	G3/8
Max. standard flow rate for clean air class	1,500 l/min	1,900 l/min	2,200 l/min	740 l/min	880 l/min	1,120 l/min	1,110 l/min	360 l/min	410 l/min	450 l/min
Min. standard flow rate for clean air class	500 l/min		480 l/min	240 l/min	250 l/min	330 l/min	300 l/min	80 l/min	100 l/min	

Operating and environmental conditions			
Condensate drain	Fully automatic		Manually rotating
Operating pressure	2 ... 12 bar		1 ... 16 bar
Operating medium ¹⁾	Compressed air to ISO 8573-1:2010 [6:8:4] Inert gases		
Ambient temperature	-10 ... 60°C		
Media temperature	1.5 ... 60°C		
Storage temperature	-		
Corrosion resistance class CRC ²⁾	2 - Moderate corrosion stress		

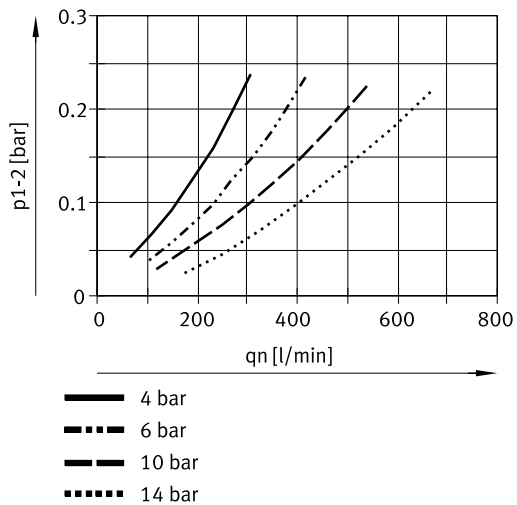
1) Compressed air according to ISO 8573-1:2010 [7:9:-] applies to fully automatic condensate drain

2) More information www.festo.com/x/topic/crc

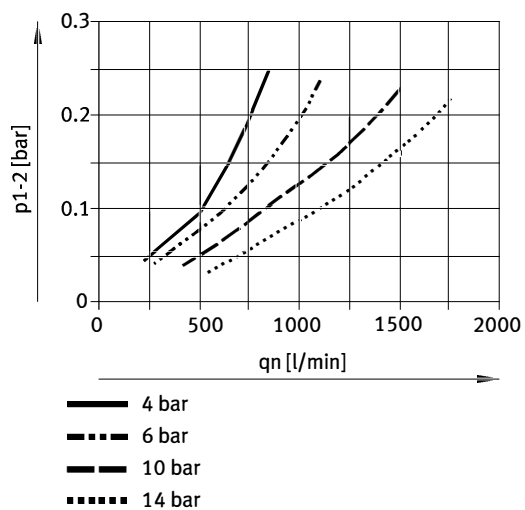
Materials	
Material housing	Die-cast zinc
Material bowl	PC
Material filter	Borosilicate fibre
Note on materials	RoHS-compliant
LABS (PWIS) conformity	VDMA24364-B1/B2-L

Datasheet

Standard flow rate q_n as a function of differential pressure Δp_{1-2} (LFMA-1/4-D-MINI)

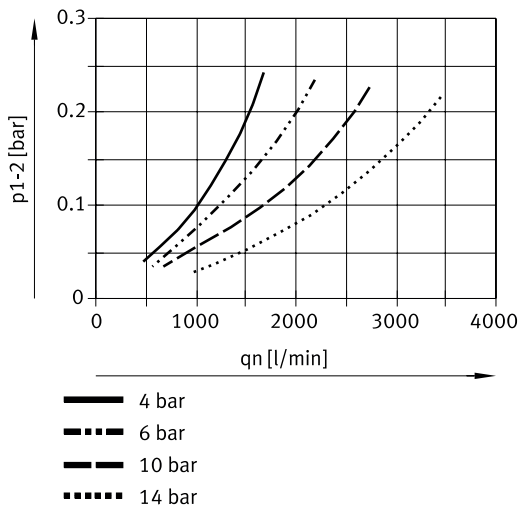


Standard flow rate q_n as a function of differential pressure Δp_{1-2} (LFMA-1/2-D-MIDI)



Datasheet

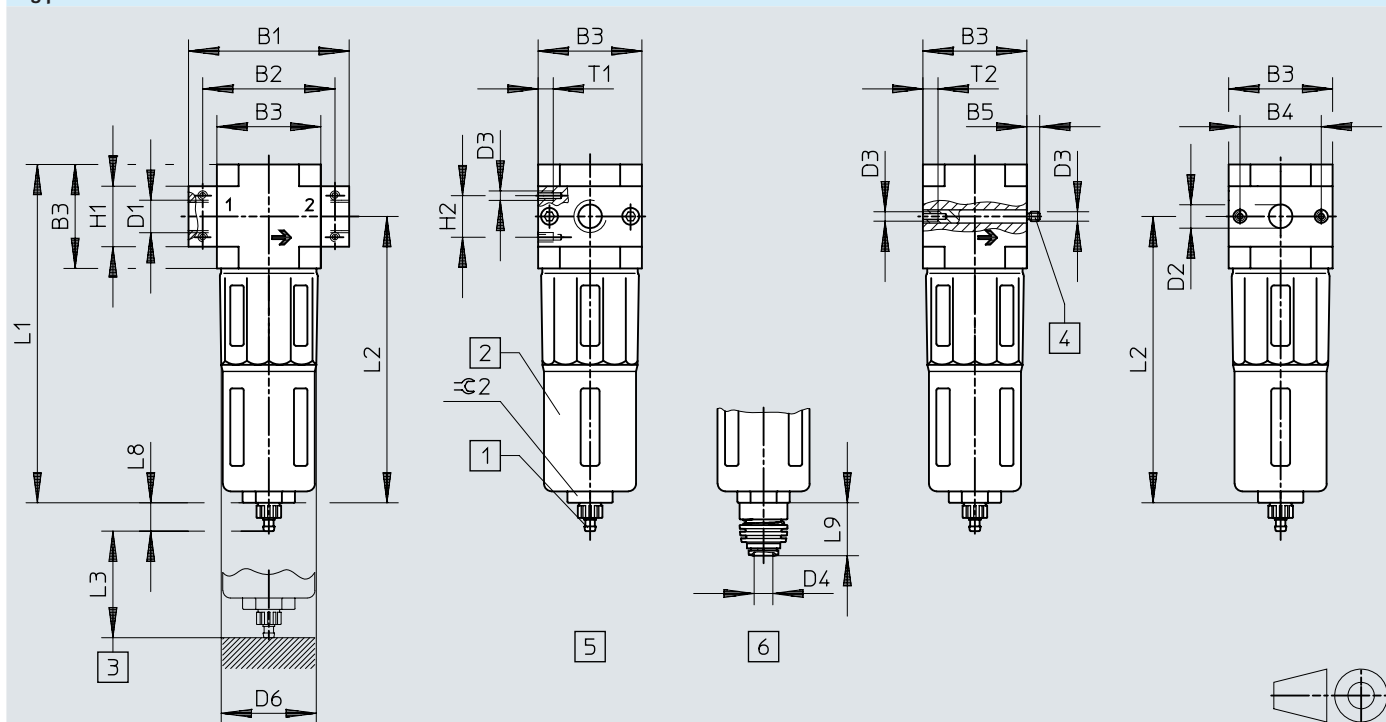
Standard flow rate q_n as a function of differential pressure Δp_{1-2} (LFMA-1-D-MAXI)



Dimensions

Dimensions – Connecting plates with threaded connection, without connecting plates

Download CAD data www.festo.com



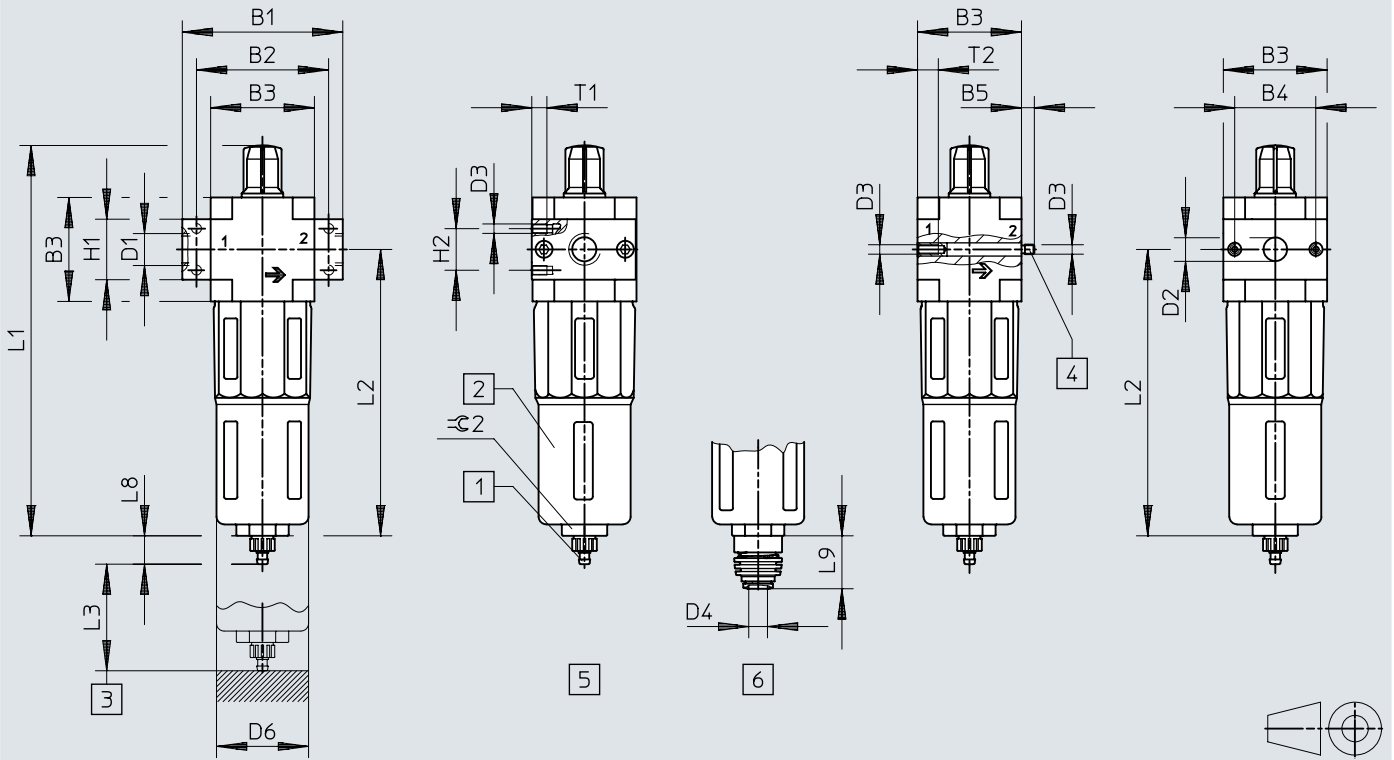
- [1] Barbed connector for plastic tubing PUN(-H)-8x1.25
- [2] Metal bowl guard
- [3] Installation dimension
- [4] Threaded bolt (exchangeable)
- [5] Manual condensate drain
- [6] Fully automatic condensate drain

	B1	B2	B3	B4	B5	D1	D2 ø	D3	D6 ø	H1	H2	L1	L2	L3	L8	L9	T1	T2	⊕G 2
Mini																			
LFMA-1/8-D-MINI	64	52	40	30	-	G1/8	-	M4	38	20	11	144	124	60	15	19	7	-	22
LFMA-1/4-D-MINI						G1/4													
LFMA-3/8-D-MINI	70					G3/8													
LFMA-D-MINI	-	-			5,8	-	11											-	10
Midi																			
LFMA-1/4-D-MIDI	85	70	55	43	-	G1/4	-	M5	52	32	22	179	151	80	15	19	8	-	24
LFMA-3/8-D-MIDI						G3/8													
LFMA-1/2-D-MIDI						G1/2													
LFMA-3/4-D-MIDI						G3/4													
LFMA-D-MIDI	-	-			6,8	-	24											-	11
Maxi																			
LFMA-1/2-D-MAXI	96	80	66	46	-	G1/2	-	M5	65	32	22	203	170	90	15	19	8	-	24
LFMA-3/4-D-MAXI						G3/4													
LFMA-1-D-MAXI	116	91				G1													
LFMA-D-MAXI	-	-				6,8													

Dimensions

Dimensions – With differential pressure display DA


Download CAD data www.festo.com




- [1] Barbed connector for plastic tubing PUN(-H)-8x1.25
- [2] Metal bowl guard
- [3] Installation dimension
- [4] Threaded bolt (exchangeable)
- [5] Manual condensate drain
- [6] Fully automatic condensate drain

	B1	B2	B3	B4	B5	D1	D2 ø	D3	D6 ø	H1	H2	L1	L2	L3	L8	L9	T1	T2	≅ 2	
Mini																				
LFMA-1/8-D-MINI-DA	64	52	40	30	-	G1/8	-	M4	38	20	11	173	124	60	15	19	7	-	22	
LFMA-1/4-D-MINI-DA						G1/4											-	-		
LFMA-3/8-D-MINI-DA	70					G3/8														
LFMA-D-MINI-DA	-	-				5,8	-	11										10		
Midi																				
LFMA-1/4-D-MIDI-DA	85	70	55	43	-	G1/4	-	M5	52	32	22	207	151	80	15	19	8	-	24	
LFMA-3/8-D-MIDI-DA						G3/8											-	-		
LFMA-1/2-D-MIDI-DA						G1/2											-	-		
LFMA-3/4-D-MIDI-DA						G3/4											-	-		
LFMA-D-MIDI-DA	-	-				6,8	-	24										11		
Maxi																				
LFMA-1/2-D-MAXI-DA	96	80	66	46	-	G1/2	-	M5	65	32	22	232	170	90	15	19	8	-	24	
LFMA-3/4-D-MAXI-DA						G3/4				-							-			
LFMA-1-D-MAXI-DA	116	91				G1				40										
LFMA-D-MAXI-DA	-	-				6,8	-	30										11		


Ordering data

Micro filter LFMA						
	Size	Pneumatic connection, port 1	Condensate drain	Product weight	Part no.	Type
	Maxi	Sub-base	Fully automatic	1,200 g	192568	LFMA-D-MAXI-A
			Manually rotating		192565	LFMA-D-MAXI
		G1/2	Fully automatic		186475	LFMA-1/2-D-MAXI-A
			Manually rotating		186476	LFMA-1/2-D-MAXI
		G3/4	Fully automatic		162656	LFMA-3/4-D-MAXI-A
			Manually rotating		162648	LFMA-3/4-D-MAXI
	G1	Fully automatic	162657	LFMA-1-D-MAXI-A		
		Manually rotating	162649	LFMA-1-D-MAXI		
	Midi	Sub-base	Fully automatic	650 g	192567	LFMA-D-MIDI-A
			Manually rotating		192564	LFMA-D-MIDI
		G1/4	Fully automatic		186470	LFMA-1/4-D-MIDI-A
			Manually rotating		186469	LFMA-1/4-D-MIDI
		G3/8	Fully automatic		162653	LFMA-3/8-D-MIDI-A
			Manually rotating		162645	LFMA-3/8-D-MIDI
		G1/2	Fully automatic		162654	LFMA-1/2-D-MIDI-A
			Manually rotating		162646	LFMA-1/2-D-MIDI
		G3/4	Fully automatic		162655	LFMA-3/4-D-MIDI-A
			Manually rotating		162647	LFMA-3/4-D-MIDI
	Mini	Sub-base	Fully automatic	250 g	192566	LFMA-D-MINI-A
			Manually rotating		192563	LFMA-D-MINI
		G1/8	Fully automatic		162650	LFMA-1/8-D-MINI-A
			Manually rotating		162642	LFMA-1/8-D-MINI
		G1/4	Fully automatic		162651	LFMA-1/4-D-MINI-A
			Manually rotating		162643	LFMA-1/4-D-MINI
G3/8		Fully automatic	162652		LFMA-3/8-D-MINI-A	
		Manually rotating	162644		LFMA-3/8-D-MINI	

Micro filter LFMA with differential pressure display						
	Size	Pneumatic connection, port 1	Condensate drain	Product weight	Part no.	Type
	Maxi	Sub-base	Fully automatic	1,340 g	532842	LFMA-D-MAXI-DA-A
			Manually rotating		532839	LFMA-D-MAXI-DA
		G1/2	Fully automatic		532860	LFMA-1/2-D-MAXI-DA-A
			Manually rotating		532850	LFMA-1/2-D-MAXI-DA
		G3/4	Fully automatic		532861	LFMA-3/4-D-MAXI-DA-A
			Manually rotating		532851	LFMA-3/4-D-MAXI-DA
	G1	Fully automatic	532862	LFMA-1-D-MAXI-DA-A		
		Manually rotating	532852	LFMA-1-D-MAXI-DA		
	Midi	Sub-base	Fully automatic	834 g	532841	LFMA-D-MIDI-DA-A
			Manually rotating		532838	LFMA-D-MIDI-DA
		G1/4	Fully automatic		532856	LFMA-1/4-D-MIDI-DA-A
			Manually rotating		532846	LFMA-1/4-D-MIDI-DA
		G3/8	Fully automatic		532857	LFMA-3/8-D-MIDI-DA-A
			Manually rotating		532847	LFMA-3/8-D-MIDI-DA
		G1/2	Fully automatic		532858	LFMA-1/2-D-MIDI-DA-A
			Manually rotating		532848	LFMA-1/2-D-MIDI-DA
		G3/4	Fully automatic		532859	LFMA-3/4-D-MIDI-DA-A
			Manually rotating		532849	LFMA-3/4-D-MIDI-DA
	Mini	Sub-base	Fully automatic		532840	LFMA-D-MINI-DA-A

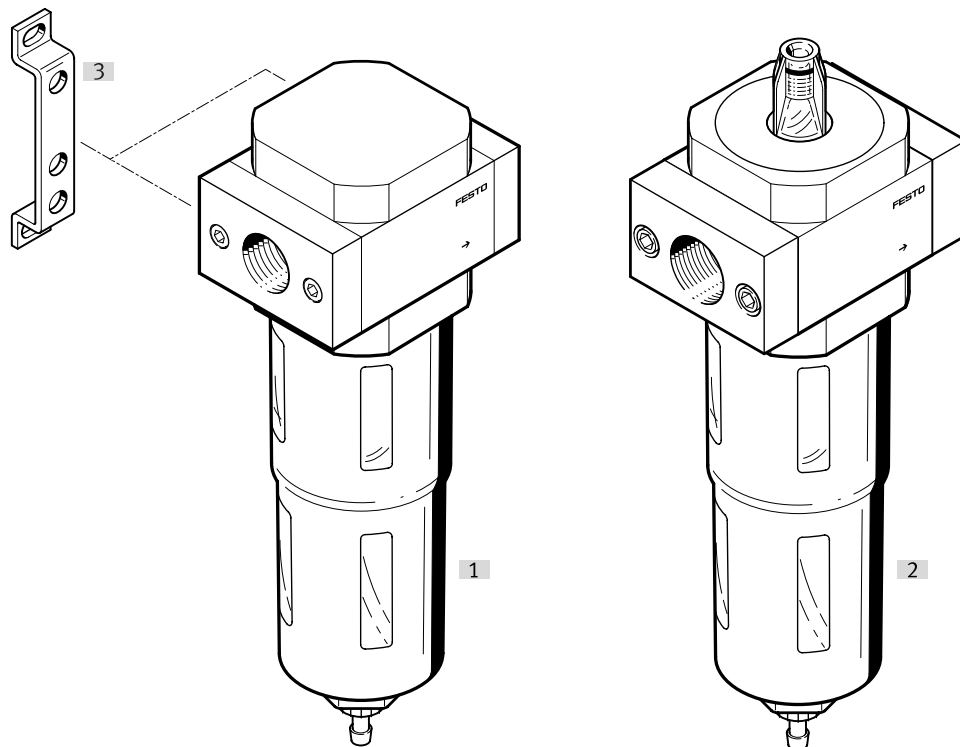
Ordering data

Micro filter LFMA with differential pressure display

	Size	Pneumatic connection, port 1	Condensate drain	Product weight	Part no.	Type
	Mini	Sub-base	Manually rotating	368 g	532837	LFMA-D-MINI-DA
		G1/8	Fully automatic		532853	LFMA-1/8-D-MINI-DA-A
			Manually rotating		532843	LFMA-1/8-D-MINI-DA
		G1/4	Fully automatic		532854	LFMA-1/4-D-MINI-DA-A
			Manually rotating		532844	LFMA-1/4-D-MINI-DA
		G3/8	Fully automatic		532855	LFMA-3/8-D-MINI-DA-A
			Manually rotating		532845	LFMA-3/8-D-MINI-DA

Peripherals

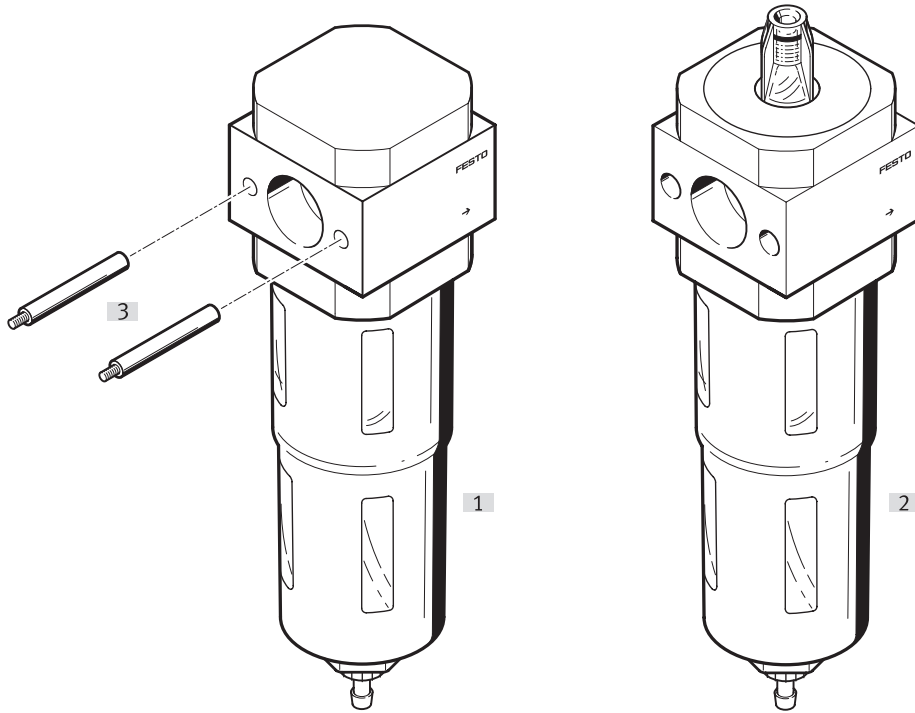
Peripherals overview – single unit with connecting plates



Accessories		→ Link
Type/order code	Description	
[1] Fine filter LFMA-D		lfma-d
[2] Fine filter LFMA-D	With differential pressure display	lfma-d
[3] Mounting bracket HFOE-D		13

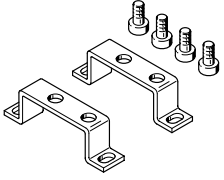
Peripherals

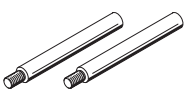
Peripherals overview – individual unit without connecting plates, for service unit component combination

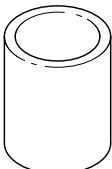


Accessories		→ Link
Type/order code	Description	
[1] Fine filter LFMA-D		lfma-d
[2] Fine filter LFMA-D	With differential pressure display	lfma-d
[3] Threaded bolt FRB-D	Included in the scope of delivery	13

Accessories

Mounting bracket MS4-WP...				
	Short type code	Corrosion resistance class CRC	Part no.	Type
	HFOE	2 - Moderate corrosion stress	159638	HFOE-D-MINI
			159593	HFOE-D-MIDI/MAXI

Mounting bracket MS4-WB				
	Short type code	Corrosion resistance class CRC	Part no.	Type
	FRB	2 - Moderate corrosion stress	159595	FRB-D-MIDI
			159643	FRB-D-MAXI
			159642	FRB-D-MINI

Fine-filter cartridges				
	Size	Grade of filtration	Part no.	Type
	Maxi	0.01 µm	162676	LFMAP-D-MAXI
	Midi		162675	LFMAP-D-MIDI
	Mini		162674	MS4/D-MINI-LFM-A