

Selector switch HW-6-38 HW

FESTO



Characteristics

At a glance

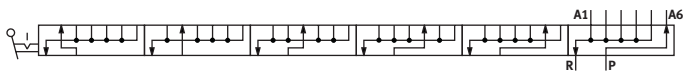
The selector switch is a manually operated directional control valve in which a flat slide valve connects the compressed air connection to one of the six working ports.

- Outputs that are not selected are exhausted together
- There is no overlap during changeover
- 6 switching positions
- Switching positions are determined by a ball latch
- The selector switch is supplied with rotary knob and indicator arrow

The position of the selected working port can be reliably displayed using the round display dial available as an accessory. The selector switch is mounted either by flanging it onto the bottom of a sub-base (O-rings for sealing are supplied) or in a front panel. The installation diameter for the selector switch is 22.3 mm.

Valve function

[B86] 8/6 directional control valve, bistable



Datasheet

General technical data

Valve function	8/6 double solenoid
Type of piloting	Direct
Nominal torque	1.7 Nm
Tolerance for nominal tightening torque	± 10%
Pneumatic connection, port 1	M5
Pneumatic connection, port 2	M5
Standard nominal flow rate (standardised to DIN 1343)	180 l/min

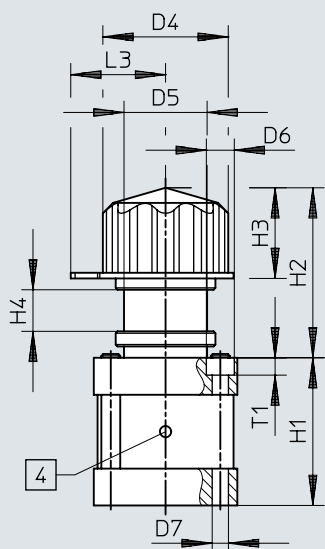
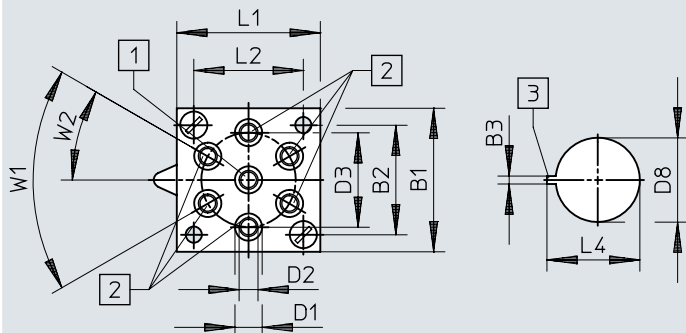
Operating and environmental conditions

Operating pressure	0 ... 8 bar
--------------------	-------------

Dimensions

Dimensions – Selector switches

Download CAD data → www.festo.com



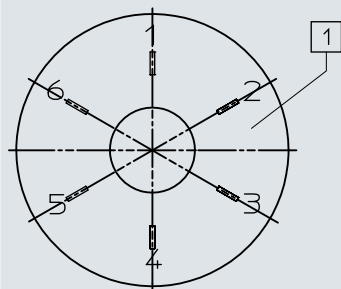
- [1] Compressed air connection (underneath, centrally)
- [2] Working ports (star-shaped on the underside)
- [3] Installation opening
- [4] Exhaust R

	B1	B2	B3	D1 ∅	D2	D3 ∅	D4 ∅	D5	D6 ∅	D7 ∅	D8 ∅
HW-6-38	38	29	2,1	7,2	M5	25	36	M22x1	7,4	4,3	22,3

	H1	H2	H3	H4 max.	L1	L2	L3	L4	T1	W1	W2
HW-6-38	39,1	45	24	11	38	29	23	24,6	4,6	60°	30°


Dimensions

Dimensions – Round display dial

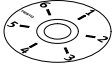
Download CAD data → www.festo.com

[1] Round scale for switching position indication

Ordering data

Selector switch, with 6 possible switching outputs				
	Valve function	LABS (PWIS) conformity	Part no.	Type
	8/6 double solenoid	VDMA24364-B1/B2-L	7199	HW-6-38

Accessories

Round display dial, for selector switch, for identifying the position of the selected switching position			
	LABS (PWIS) conformity	Part no.	Type
	VDMA24364-B1/B2-L	7222	HWF-6-38