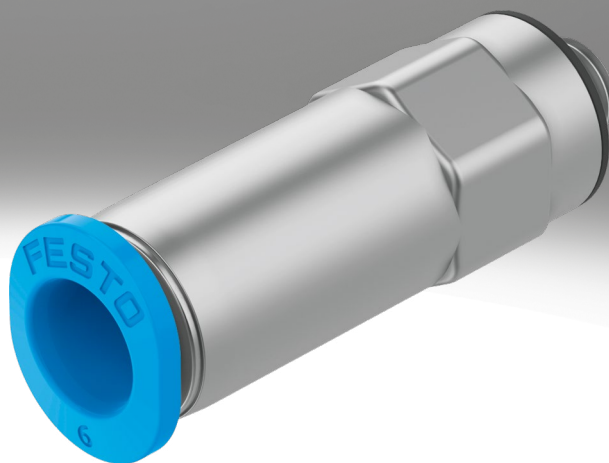
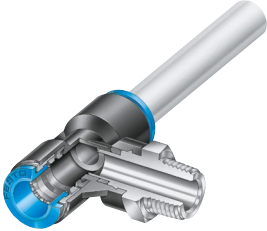
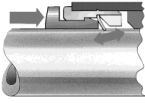
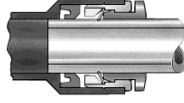
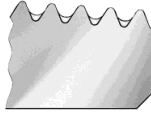




Push-in fittings QS, self-sealing/rotatable

FESTO



Key features

| Application | Just snap it into place | Reliably connected | The captive seal |
|--|--|---|--|
|  <p>Choosing the right fitting is effortless. With a system that includes well over 1000 types of standard and function fittings, Festo offers a secure solution for every connection.</p> |  <p>The stainless steel retaining claw holds the tubing securely without damaging its surface. Vibration and pressure surges are absorbed. The tubing can be detached easily by pressing down the blue release ring. The tubing O.D. is specified on the releasing ring to help select the right fitting.</p> |  <p>A nitrile rubber sealing ring guarantees a perfect seal between standard OD tubing and the body of the fitting. The standard tubing combined with the Festo push-in connector is suitable for compressed air and vacuum.</p> |  <p>All brass parts of Festo's push-in fittings have nickel-plated surfaces and are thus highly resistant to corrosion. The tapered ISO R threads have a self-sealing PTFE coating, which allows the fitting to be re-used up to five times without the need for additional sealing components.</p> |
| Rotatable |  <p>Once assembled, it cannot be aligned.</p> | Rotatable 360°, with ball bearing |  <p>Permits rotary movement of up to 500 rpm during use.</p> |

Which fitting fits which thread?

Metric thread

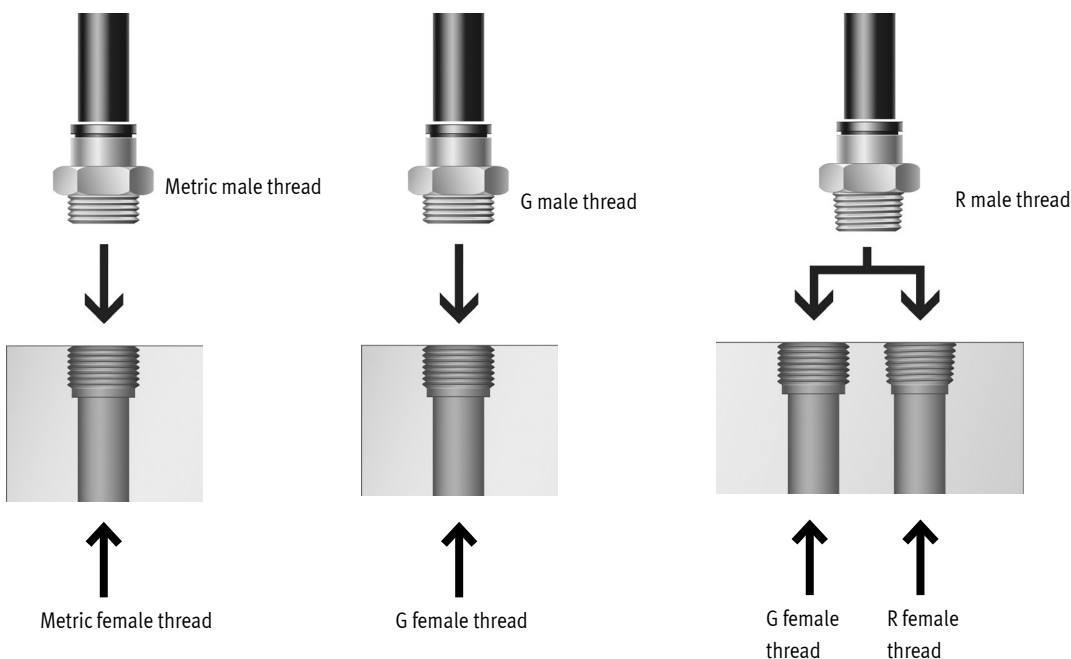
- Threads are comparable with G threads and are fitted as cylindrical metric thread
- Sealing is guaranteed by the chambered O-ring.

G thread to ISO 228-1

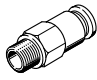
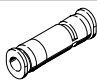
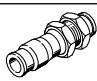
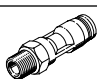
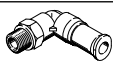
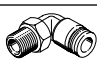
- Shorter thread
- Constant installation depth
- Replaceable sealing ring
- Sealing on the front
- Can be re-used a number of times thanks to replaceable sealing ring.

R thread to EN 10226-1 and ISO 7/1

- Self-sealing thread
- Sealing via coated threads
- No additional sealing surface required
- Smaller installation dimensions since there is no need for an offset for the sealing surface
- Can be reused up to 5 times.



Product range overview

| Design | Version | Type | Connection D1 | | | | Connection D2 | | → Page |
|---|---|------------|---------------|----------|----------|-------------|---------------|---|--------|
| | | | M thread | R thread | G thread | Tubing O.D. | Tubing O.D. | | |
| Straight shape | Push-in fitting, self-sealing – male thread with external hex | | | | | | | | |
| |  | QSK/QSMK | M5 | – | – | – | 4, 6 | 6 | |
| | | | – | R1/8 | G1/8 | – | 4, 6, 8 | | |
| | | | – | R1/4 | G1/4 | – | 6, 8, 10 | | |
| | | | – | R3/8 | G3/8 | – | 8, 10 12 | | |
| – | | | R1/2 | G1/2 | – | 12 | | | |
| Push-in connector, self-sealing | | | | | | | | | |
|  | QSK/QSMK | – | – | – | 4 | – | 7 | | |
| | | – | – | – | 6 | | | | |
| | | – | – | – | 8 | | | | |
| | | – | – | – | 10 | | | | |
| | | – | – | – | 12 | | | | |
| Push-in bulkhead connector | | | | | | | | | |
|  | QSSK | – | – | – | 4 | – | 8 | | |
| | | – | – | – | 6 | | | | |
| | | – | – | – | 8 | | | | |
| | | – | – | – | 10 | | | | |
| | | – | – | – | 12 | | | | |
| Push-in fitting, rotatable through 360°, with ball bearing – male thread with external hex | | | | | | | | | |
|  | QSR | M5 | – | – | – | 4, 6 | 11 | | |
| | | – | R1/8 | G1/8 | – | 4, 6, 8 | | | |
| | | – | R1/4 | G1/4 | – | 6, 8 | | | |
| | | – | R3/8 | G3/8 | – | 8, 10 12 | | | |
| | | – | R1/2 | G1/2 | – | 12 | | | |
| L-shape | Push-in L-fitting, self-sealing, rotatable – external thread with external hex | | | | | | | | |
| |  | QSKL/QSMKL | M5 | – | – | – | 4, 6 | 9 | |
| | | | – | R1/8 | G1/8 | – | 4, 6, 8 | | |
| | | | – | R1/4 | G1/4 | – | 6, 8, 10 | | |
| | | | – | R3/8 | G3/8 | – | 8, 10 12 | | |
| – | | | R1/2 | G1/2 | – | 12 | | | |
| Push-in L-fitting, rotatable through 360°, with ball bearing – male thread with external hex | | | | | | | | | |
|  | QSRL | M5 | – | – | – | 4, 6 | 13 | | |
| | | – | R1/8 | G1/8 | – | 4, 6, 8 | | | |
| | | – | R1/4 | G1/4 | – | 6, 8 | | | |
| | | – | R3/8 | G3/8 | – | 8, 10 12 | | | |
| | | – | R1/2 | G1/2 | – | 12 | | | |

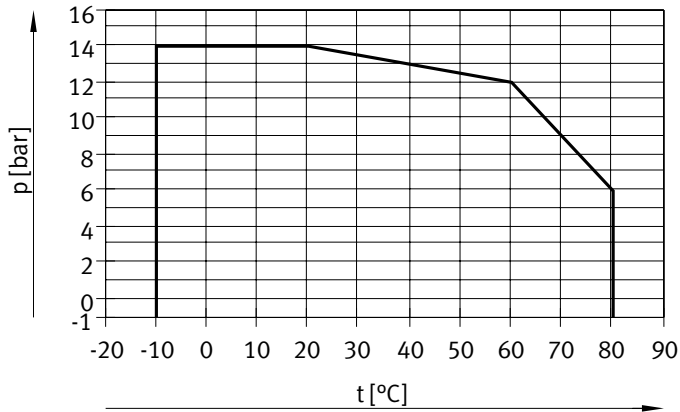
Technical data

| General technical data | | Push-in fitting, self-sealing QSK | Push-in fitting, rotatable QSR |
|---|---|--|--------------------------------|
| Size | | Standard | |
| Design | | Push-pull principle | |
| Mounting position | | Any | |
| Type of seal on screwed trunnion | | Sealing ring (metric thread, G thread) Coating (R thread) | |
| Nominal tightening torque | [Nm] | 1.2 ±20% for connecting thread M5 | |
| | | 5.4 ±20% for connecting thread G1/8 | |
| | | 9 ±20% for connecting thread G1/4 | |
| | | 15.5 ±20% for connecting thread G3/8 | |
| | | 26 ±20% for connecting thread G1/2 | |
| Max. rotational speed | [rpm] | – | |
| | | 500 with tubing O.D. 4 mm | |
| | | 500 with tubing O.D. 6 mm | |
| | | 400 with tubing O.D. 8 mm | |
| | | 300 with tubing O.D. 10 mm | |
| | | 250 with tubing O.D. 12 mm with R thread | |
| Max. radial torque | [Nm] | 200 with tubing O.D. 12 mm with G thread | |
| | | – | |
| | | 0.006 with tubing O.D. 4 mm | |
| | | 0.012 with tubing O.D. 6 mm | |
| | | 0.015 with tubing O.D. 8 mm | |
| | | 0.020 with tubing O.D. 10 mm | |
| | | – | |
| | | 0.025 with tubing O.D. 12 mm | |
| Type of approved tubing | PAN, PAN-MF, PAN-R, PAN-VO, PEN, PFAN, PLN, PTFEN, PUN, PUN-CM, PUN-DUO, PUN-H, PUN-H-DUO, PUN-S, PUN-S-DUO, PUN-VO | | |
| Operating and environmental conditions | | | |
| Type | | Push-in fitting, self-sealing QSK | Push-in fitting, rotatable QSR |
| Operating pressure for full temperature range | [bar] | –0.95 ... +6 | |
| Temperature-dependent operating pressure | [bar] | –0.95 ... +14 → graph | |
| Operating medium | | Compressed air to ISO 8573-1:2010 [7:-:-] | |
| | | Water as per manufacturer's declaration ²⁾ (push-in bulkhead connector QSSK only) | – |
| Note on the operating/pilot medium | | Lubricated operation possible | |
| Ambient temperature | [°C] | –10 ... +80 | 0 ... +60 |
| Corrosion resistance class CRC ¹⁾ | | 1 - Low corrosion stress | |

1) Additional information: www.festo.com/x/topic/kbk

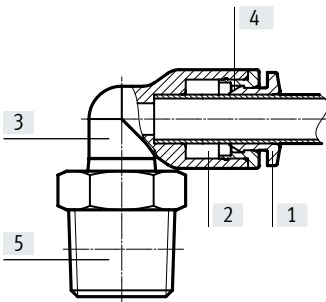
Technical data

Operating pressure p as a function of temperature t



Materials

Sectional view



| | | Push-in fitting, self-sealing QSK | Push-in fitting, rotatable QSR |
|-------------------|-----------------------|--------------------------------------|-----------------------------------|
| [1] | Releasing ring | POM (colour: blue) | |
| [2] | Tubing seal | NBR | |
| [3] | Housing | PBT, nickel-plated brass | |
| [4] | Tube clamping segment | High-alloy stainless steel | |
| [5] | Threaded coupling | Nickel-plated brass | Chrome-plated brass |
| Note on materials | | RoHS-compliant | |

Possible push-in fitting/tubing combinations

| Thread | Tubing O.D. [mm] | | | | |
|--------|------------------|----|----|----|----|
| | 4 | 6 | 8 | 10 | 12 |
| M5 | ++ | + | - | - | - |
| R1/8 | + | ++ | + | + | - |
| R1/4 | + | + | ++ | + | + |
| R3/8 | - | + | + | ++ | + |
| R1/2 | - | - | - | + | ++ |
| G1/8 | + | ++ | + | - | - |
| G1/4 | - | + | ++ | + | + |
| G3/8 | - | - | + | ++ | + |
| G1/2 | - | - | - | - | ++ |

+ Possible thread/tubing O.D. combinations

++ Optimum thread/tubing O.D. combination (with regard to flow)

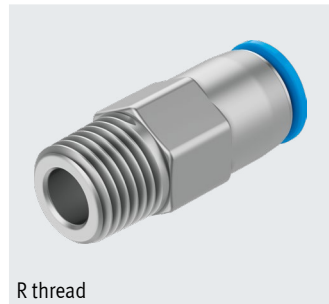
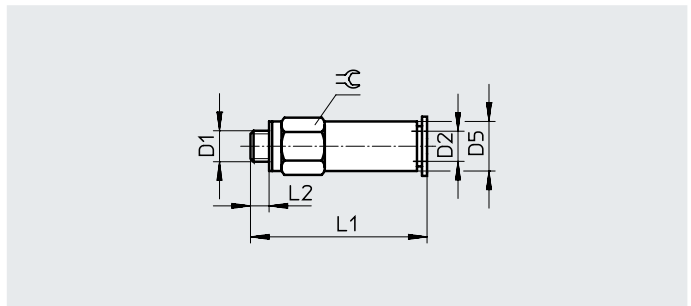
Datasheet

Push-in fitting, self-sealing QSK/QSMK

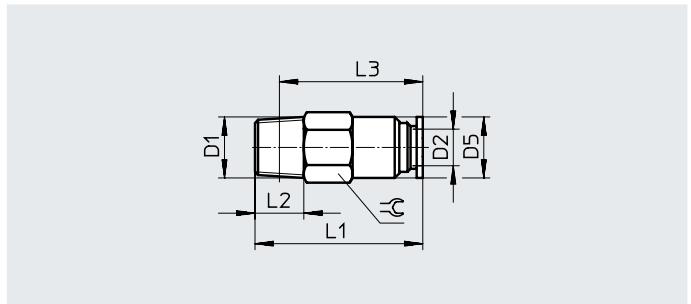
Male thread with external hex



M thread



R thread



Dimensions and ordering data

| Pneumatic connection | | Nominal width | D5 ø | L1 | L2 | L3 | ⌀ | Tubing in- sertion depth [mm] | Weight/piece [g] | Part no. | Type | PU ¹⁾ |
|--|-----------------|---------------|---------|------|-----|------|----|--|---------------------|----------|------------|------------------|
| Male thread | For tubing O.D. | | | | | | | | | | | |
| D1 | D2 [mm] | [mm] | | | | | | | | | | |
| Metric thread with sealing ring | | | | | | | | | | | | |
| M5 | 4 | 1.4 | 8 | 29.5 | 3.5 | – | 8 | 12.7 | 7.1 | 153291 | QSMK-M5-4 | 1 |
| | 6 | 1.7 | 10 | 32.5 | 3.5 | – | 10 | 13.7 | 12 | 153292 | QSMK-M5-6 | 1 |
| R thread | | | | | | | | | | | | |
| R1/8 | 4 | 1.6 | 9 | 25.5 | 8 | 20 | 10 | 12.5 | 9.5 | 153419 | QSMK-1/8-4 | 1 |
| | 6 | 3 | 10 | 27.5 | 8 | 23 | 10 | 13.5 | 9.5 | 153420 | QSMK-1/8-6 | 1 |
| | 8 | 3.4 | 14 | 36 | 8 | 32 | 14 | 18.5 | 22.5 | 153422 | QSK-1/8-8 | 1 |
| R1/4 | 6 | 3 | 12 | 27.5 | 11 | 21 | 14 | 13.5 | 21 | 153421 | QSMK-1/4-6 | 1 |
| | 8 | 4.3 | 14 | 36 | 11 | 30 | 14 | 18.5 | 22.5 | 153423 | QSK-1/4-8 | 1 |
| | 10 | 4.8 | 17 | 38.5 | 11 | 32.5 | 17 | 21 | 32 | 153425 | QSK-1/4-10 | 1 |
| R3/8 | 8 | 4.5 | 15 | 36 | 12 | 29.5 | 17 | 18.5 | 39 | 153424 | QSK-3/8-8 | 1 |
| | 10 | 5.6 | 17 | 40 | 12 | 33.5 | 17 | 21 | 35 | 153426 | QSK-3/8-10 | 1 |
| | 12 | 6.1 | 21 | 46 | 12 | 39.5 | 21 | 23.5 | 63.5 | 153427 | QSK-3/8-12 | 1 |
| R1/2 | 12 | 6.4 | 21 | 46 | 15 | 38 | 21 | 23.5 | 65.5 | 153428 | QSK-1/2-12 | 1 |

1) Packaging unit

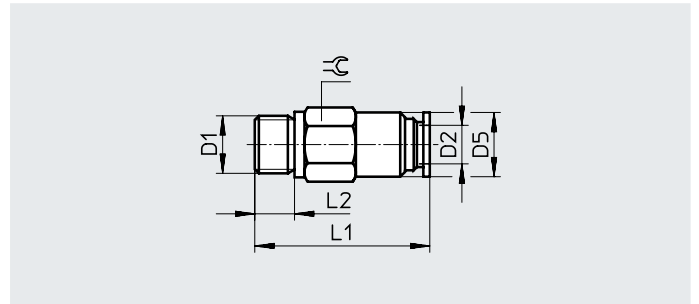
Datasheet

Push-in fitting, self-sealing QSK/QSMK

Male thread with external hex



G thread

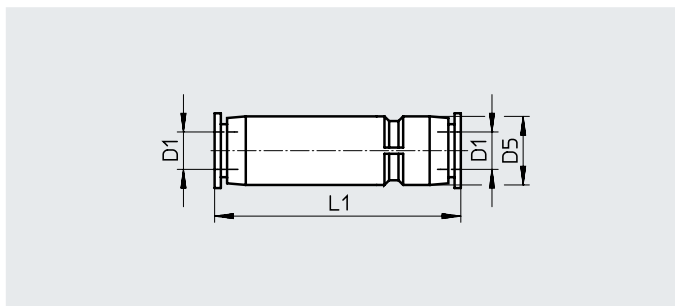


| Dimensions and ordering data | | | | | | | | | | | |
|-----------------------------------|-----------------|---------------|---------|------|-----|----|--|-------------------------|----------|-------------|------------------|
| Pneumatic connection | | Nominal width | D5 ∅ | L1 | L2 | ⌀ | Tubing in- sertion depth [mm] | Weight/ piece [g] | Part no. | Type | PU ¹⁾ |
| Male thread | For tubing O.D. | | | | | | | | | | |
| D1 | D2 [mm] | [mm] | | | | | | | | | |
| G thread with sealing ring | | | | | | | | | | | |
| G1/8 | 4 | 1.6 | 8.8 | 23.5 | 5.1 | 13 | 12.1 | 14 | 186294 | QSMK-G1/8-4 | 1 |
| | 6 | 3 | 10 | 26.2 | 5.1 | 13 | 13.4 | 14 | 186295 | QSMK-G1/8-6 | 1 |
| | 8 | 3.4 | 14 | 34.7 | 5.1 | 14 | 22.3 | 23 | 186297 | QSK-G1/8-8 | 1 |
| G1/4 | 6 | 3 | 12 | 25.6 | 5.6 | 17 | 13.4 | 26 | 186296 | QSMK-G1/4-6 | 1 |
| | 8 | 4.3 | 14 | 34.5 | 5.6 | 17 | 18.3 | 30 | 186298 | QSK-G1/4-8 | 1 |
| | 10 | 4.8 | 17 | 36.8 | 5.6 | 17 | 24.7 | 33 | 186300 | QSK-G1/4-10 | 1 |
| G3/8 | 8 | 4.5 | 15 | 34.5 | 6.6 | 19 | 18.3 | 43 | 186299 | QSK-G3/8-8 | 1 |
| | 10 | 5.6 | 17 | 38.3 | 6.6 | 19 | 20.7 | 41 | 186301 | QSK-G3/8-10 | 1 |
| | 12 | 6.1 | 20.8 | 43.3 | 6.6 | 21 | 29.1 | 63 | 186302 | QSK-G3/8-12 | 1 |
| G1/2 | 12 | 6.4 | 20.8 | 44.9 | 7.6 | 24 | 23.1 | 78 | 186303 | QSK-G1/2-12 | 1 |

1) Packaging unit

Datasheet

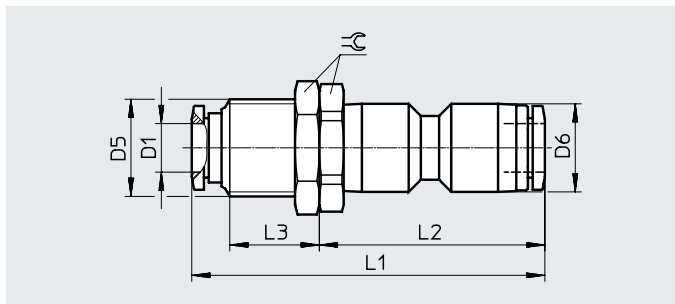
Push-in connector, self-sealing QSK/QSMK



| Dimensions and ordering data | | | | | | | | |
|------------------------------|---------------|------|------|------------------------|--------------|----------|--------|------------------|
| Pneumatic connection | Nominal width | D5 | L1 | Tubing insertion depth | Weight/piece | Part no. | Type | PU ¹⁾ |
| For tubing O.D. D1 [mm] | [mm] | ∅ | | [mm] | [g] | | | |
| 4 | 1.6 | 8.5 | 36 | 11.5 | 3.5 | 153439 | QSMK-4 | 1 |
| 6 | 3 | 11 | 39.5 | 12 | 6 | 153440 | QSMK-6 | 1 |
| 8 | 4.4 | 14.5 | 54.5 | 18.5 | 16 | 153441 | QSK-8 | 1 |
| 10 | 5.3 | 17.5 | 60.5 | 20.5 | 26 | 153442 | QSK-10 | 1 |
| 12 | 6.2 | 21 | 70.5 | 23.5 | 40.5 | 153443 | QSK-12 | 1 |

1) Packaging unit

Push-in bulkhead connector QSSK



| Dimensions and ordering data | | | | | | | | | | | | |
|------------------------------|---------------|-------|------|------|------|------|----|------------------------|--------------|----------|---------|------------------|
| Pneumatic connection | Nominal width | D5 ∅ | D6 ∅ | L1 | L2 | L3 | ⌀ | Tubing insertion depth | Weight/piece | Part no. | Type | PU ¹⁾ |
| For tubing O.D. D1 [mm] | [mm] | | | | | | | [mm] | [g] | | | |
| 4 | 1.5 | M10x1 | 10 | 43.1 | 29.6 | 10 | 12 | 12.7 | 14 | 130637 | QSSK-4 | 1 |
| 6 | 3 | M12x1 | 12.5 | 47.6 | 34.2 | 9.9 | 14 | 13.7 | 20 | 130638 | QSSK-6 | 1 |
| 8 | 4.3 | M16x1 | 14.5 | 58.1 | 37.1 | 14.7 | 19 | 18.3 | 38 | 130639 | QSSK-8 | 1 |
| 10 | 5.4 | M20x1 | 17.5 | 64.5 | 41.4 | 16.2 | 24 | 20.7 | 68 | 130640 | QSSK-10 | 1 |
| 12 | 6.3 | M22x1 | 21 | 75.5 | 48.6 | 20.7 | 27 | 23.1 | 98 | 130641 | QSSK-12 | 1 |

1) Packaging unit

Datasheet

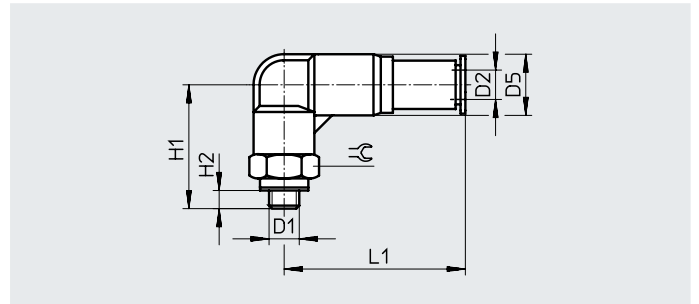
Push-in L-fitting, self-sealing QSKL/QSMKL

Rotatable

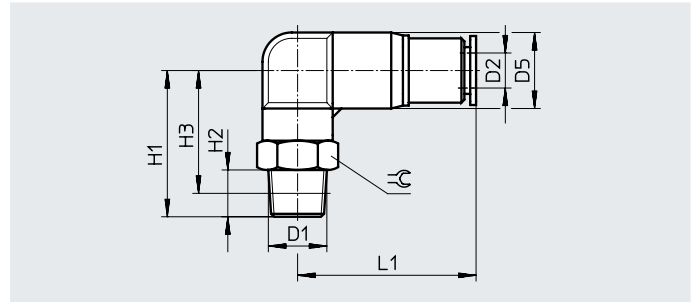
Male thread with external hex



M thread



R thread



Dimensions and ordering data

| Pneumatic connection | | Nominal width | D5 ø | H1 | H2 | H3 | L1 | ≈ e | Tubing in- sertion depth [mm] | Weight/ piece [g] | Part no. | Type | PU ¹⁾ |
|--|-----------------|---------------|---------|------|-----|------|------|--------|--|-------------------------|----------|-------------|------------------|
| Male thread | For tubing O.D. | | | | | | | | | | | | |
| D1 | D2 [mm] | [mm] | | | | | | | | | | | |
| Metric thread with sealing ring | | | | | | | | | | | | | |
| M5 | 4 | 1.4 | 9.5 | 16 | 2.8 | – | 27.6 | 8 | 12.7 | 7 | 153294 | QSMKL-M5-4 | 1 |
| | 6 | 1.7 | 12.5 | 19.5 | 2.8 | – | 30.4 | 10 | 13.7 | 10 | 153295 | QSMKL-M5-6 | 1 |
| R thread | | | | | | | | | | | | | |
| R1/8 | 4 | 1.5 | 9.5 | 22 | 8 | 18.1 | 28.4 | 10 | 12.5 | 11 | 153429 | QSMKL-1/8-4 | 1 |
| | 6 | 2.9 | 12.5 | 22.5 | 8 | 18.6 | 30.4 | 12 | 13.5 | 13 | 153430 | QSMKL-1/8-6 | 1 |
| | 8 | 4.2 | 14.5 | 24 | 8 | 24 | 39.7 | 14 | 18.5 | 21 | 153432 | QSKL-1/8-8 | 1 |
| R1/4 | 6 | 2.9 | 12.5 | 28 | 11 | 20.1 | 31.8 | 14 | 13.5 | 20 | 153431 | QSMKL-1/4-6 | 1 |
| | 8 | 4.1 | 14.5 | 28 | 11 | 22 | 40.7 | 14 | 18.5 | 27 | 153433 | QSKL-1/4-8 | 1 |
| | 10 | 5.2 | 17.5 | 28.5 | 11 | 22.5 | 45.6 | 17 | 21 | 35 | 153435 | QSKL-1/4-10 | 1 |
| R3/8 | 8 | 4.3 | 14.5 | 31 | 12 | 24.7 | 42 | 17 | 18.5 | 38 | 153434 | QSKL-3/8-8 | 1 |
| | 10 | 5.3 | 17.5 | 32 | 12 | 25.7 | 46 | 17 | 21 | 46 | 153436 | QSKL-3/8-10 | 1 |
| | 12 | 6.2 | 21 | 32.5 | 12 | 26.2 | 53.7 | 21 | 22.9 | 58 | 153437 | QSKL-3/8-12 | 1 |
| R1/2 | 12 | 6.2 | 21 | 36.5 | 15 | 28.3 | 54.2 | 21 | 22.9 | 81 | 153438 | QSKL-1/2-12 | 1 |

1) Packaging unit

Datasheet

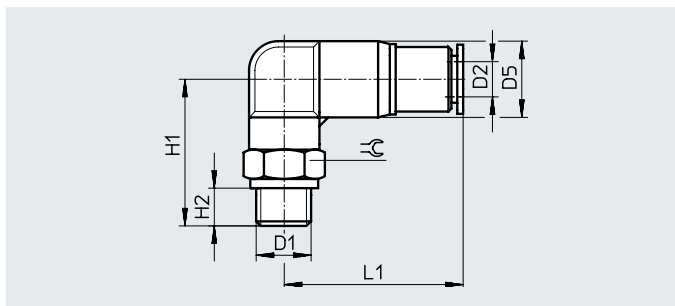
Push-in L-fitting, self-sealing QSKL/QSMKL

Rotatable

Male thread with external hex



G thread

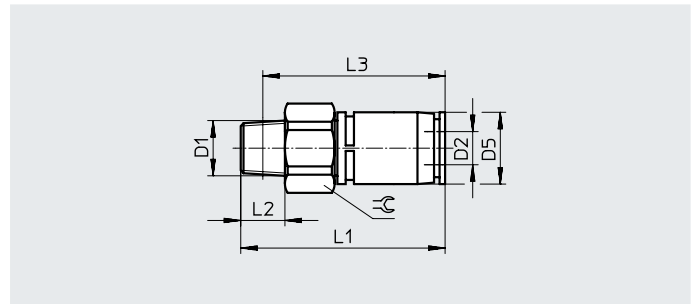
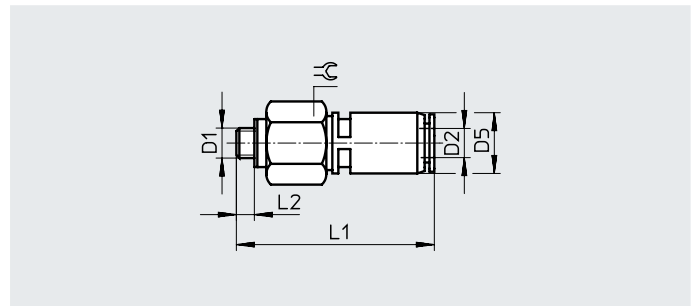


| Dimensions and ordering data | | | | | | | | | | | | |
|-----------------------------------|-----------------|---------------|---------|------|-----|------|----|--|-------------------------|---------------|---------------------|------------------|
| Pneumatic connection | | Nominal width | D5 ø | H1 | H2 | L1 | ≅ | Tubing in- sertion depth [mm] | Weight/ piece [g] | Part no. | Type | PU ¹⁾ |
| Male thread | For tubing O.D. | | | | | | | | | | | |
| D1 | D2 [mm] | [mm] | | | | | | | | | | |
| G thread with sealing ring | | | | | | | | | | | | |
| G1/8 | 4 | 1.5 | 9.5 | 21.1 | 4.2 | 28.4 | 13 | 12.7 | 14 | 186304 | QSMKL-G1/8-4 | 1 |
| | 6 | 2.9 | 12.5 | 21.6 | 4.2 | 30.4 | 13 | 13.7 | 15 | 186305 | QSMKL-G1/8-6 | 1 |
| | 8 | 4.2 | 14.5 | 22.1 | 4.2 | 39.7 | 14 | 18.3 | 17 | 186307 | QSKL-G1/8-8 | 1 |
| G1/4 | 6 | 2.9 | 12.5 | 24.7 | 4.8 | 31.8 | 17 | 13.7 | 24 | 186306 | QSMKL-G1/4-6 | 1 |
| | 8 | 4.1 | 14.5 | 24.7 | 4.8 | 40.7 | 17 | 18.3 | 27 | 186308 | QSKL-G1/4-8 | 1 |
| | 10 | 5.2 | 17.5 | 25.2 | 4.8 | 45.6 | 17 | 20.7 | 31 | 186310 | QSKL-G1/4-10 | 1 |
| G3/8 | 8 | 4.3 | 14.5 | 27.2 | 5.8 | 42 | 19 | 18.3 | 35 | 186309 | QSKL-G3/8-8 | 1 |
| | 10 | 5.3 | 17.5 | 28.2 | 5.8 | 46 | 19 | 20.7 | 40 | 186311 | QSKL-G3/8-10 | 1 |
| | 12 | 6.2 | 21 | 28.7 | 5.8 | 53.7 | 19 | 22.9 | 47 | 186312 | QSKL-G3/8-12 | 1 |
| G1/2 | 12 | 6.2 | 21 | 32.2 | 6.8 | 54.2 | 24 | 22.9 | 74 | 186313 | QSKL-G1/2-12 | 1 |

1) Packaging unit

Datasheet

Push-in fitting, rotatable QSR
 Rotatable 360°, with ball bearing
 Male thread with external hex



Dimensions and ordering data

| Pneumatic connection | | Nominal width [mm] | D5 ø | L1 | L2 | L3 | ⌀ | Weight/ piece [g] | Part no. | Type | PU ¹⁾ |
|--|-------------------------|--------------------|------|------|-----|------|----|-------------------|----------|------------|------------------|
| Male thread D1 | For tubing O.D. D2 [mm] | | | | | | | | | | |
| Metric thread with sealing ring | | | | | | | | | | | |
| M5 | 4 | 1.6 | 10 | 33.1 | 3.5 | – | 12 | 13 | 153526 | QSR-M5-4 | 1 |
| | 6 | 1.6 | 12.5 | 36.7 | 3.5 | – | 14 | 19 | 153527 | QSR-M5-6 | 1 |
| R thread | | | | | | | | | | | |
| R1/8 | 4 | 2.1 | 10 | 34.1 | 8 | 30.1 | 12 | 14 | 153401 | QSR-1/8-4 | 1 |
| | 6 | 3.4 | 12.5 | 36.9 | 8 | 32.9 | 14 | 18 | 153402 | QSR-1/8-6 | 1 |
| | 8 | 5 | 14.5 | 45.3 | 8 | 41.3 | 17 | 34 | 153404 | QSR-1/8-8 | 1 |
| R1/4 | 6 | 3.4 | 12.5 | 38.9 | 11 | 32.8 | 14 | 23 | 153403 | QSR-1/4-6 | 1 |
| | 8 | 5 | 14.5 | 44.3 | 11 | 38.3 | 17 | 32 | 153405 | QSR-1/4-8 | 1 |
| R3/8 | 8 | 5 | 14.5 | 44.3 | 12 | 38 | 17 | 39 | 153406 | QSR-3/8-8 | 1 |
| | 10 | 6.7 | 18 | 55.8 | 12 | 49.5 | 22 | 61 | 153407 | QSR-3/8-10 | 1 |
| | 12 | 8 | 21 | 63.2 | 12 | 56.9 | 24 | 82 | 153408 | QSR-3/8-12 | 1 |
| R1/2 | 12 | 8 | 21 | 63.2 | 15 | 55 | 24 | 89 | 153409 | QSR-1/2-12 | 1 |

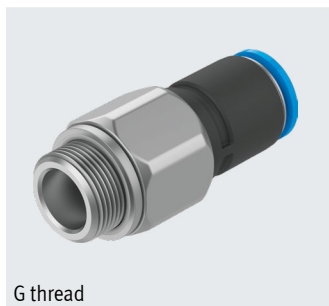
1) Packaging unit

Datasheet

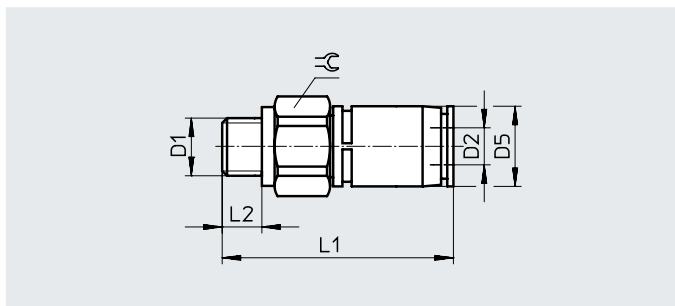
Push-in fitting, rotatable QSR

Rotatable 360°, with ball bearing

Male thread with external hex



G thread

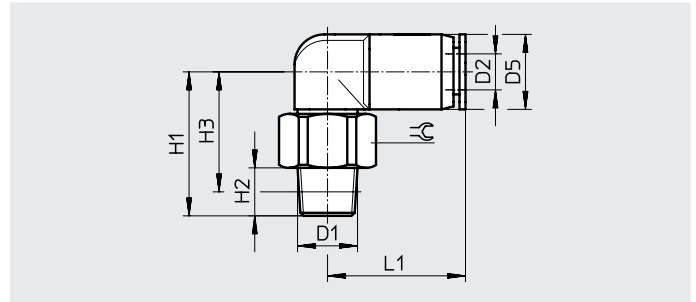
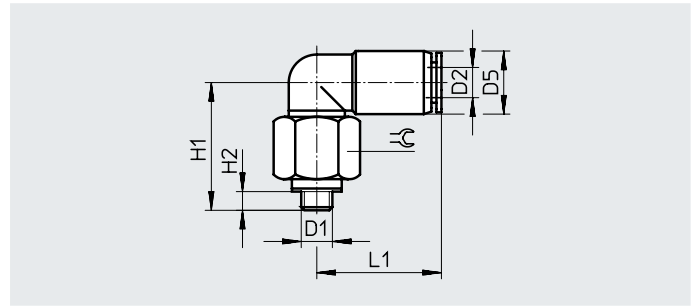


| Pneumatic connection | | Nominal width | D5 ø | L1 | L2 | ⌀ | Weight/ piece | Part no. | Type | PU ¹⁾ |
|-----------------------------------|-----------------|---------------|---------|------|-----|------|------------------|----------|-------------|------------------|
| Male thread | For tubing O.D. | [mm] | | | | | [g] | | | |
| D1 | D2 [mm] | [mm] | | | | | | | | |
| G thread with sealing ring | | | | | | | | | | |
| G1/8 | 4 | 2.1 | 10 | 33.1 | 5.1 | 13 | 15 | 186276 | QSR-G1/8-4 | 1 |
| | 6 | 3.4 | 12.5 | 35.9 | 5.1 | 14 | 17 | 186277 | QSR-G1/8-6 | 1 |
| | 8 | 5 | 14.5 | 44.3 | 5.1 | 17 | 33 | 186279 | QSR-G1/8-8 | 1 |
| G1/4 | 6 | 3.4 | 12.5 | 35.4 | 5.6 | 17 | 25 | 186278 | QSR-G1/4-6 | 1 |
| | 8 | 5 | 14.5 | 40.8 | 5.6 | 17 | 30 | 186280 | QSR-G1/4-8 | 1 |
| G3/8 | 8 | 5 | 14.5 | 41.3 | 6.6 | 19 | 40 | 186281 | QSR-G3/8-8 | 1 |
| | 10 | 6.7 | 17.8 | 53.0 | 6.6 | 22 | 60 | 186282 | QSR-G3/8-10 | 1 |
| | 12 | 8 | 20.8 | 60.7 | 6.6 | 23.8 | 78 | 186283 | QSR-G3/8-12 | 1 |
| G1/2 | 12 | 8 | 20.8 | 58.7 | 7.6 | 23.8 | 78 | 186284 | QSR-G1/2-12 | 1 |

1) Packaging unit

Datasheet

Push-in L-fitting, rotatable QSRL
 Rotatable 360°, with ball bearing
 Male thread with external hex



Dimensions and ordering data

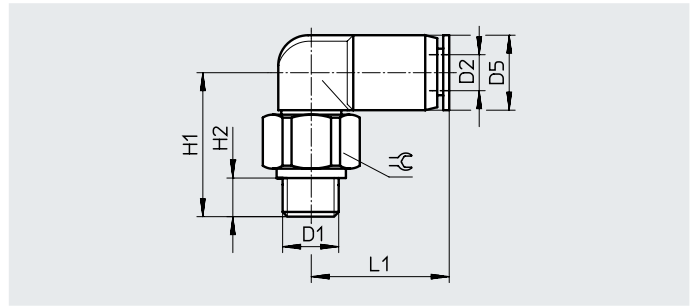
| Pneumatic connection | | Nominal width | D5 ø | H1 | H2 | H3 | L1 | ⌀ | Weight/ piece | Part no. | Type | PU ¹⁾ |
|--|-----------------|---------------|---------|------|-----|------|------|----|------------------|----------|-------------|------------------|
| Male thread | For tubing O.D. | | | | | | | | | | | |
| D1 | D2 [mm] | [mm] | | | | | | | [g] | | | |
| Metric thread with sealing ring | | | | | | | | | | | | |
| M5 | 4 | 1.4 | 10 | 21 | 3.5 | - | 19.7 | 12 | 13 | 153529 | QSRL-M5-4 | 1 |
| | 6 | 1.6 | 12.5 | 23.8 | 3.5 | - | 22.8 | 14 | 20 | 153530 | QSRL-M5-6 | 1 |
| R thread | | | | | | | | | | | | |
| R1/8 | 4 | 1.8 | 10 | 23 | 8 | 18 | 20 | 12 | 15 | 153410 | QSRL-1/8-4 | 1 |
| | 6 | 3.1 | 12.5 | 24 | 8 | 20 | 23 | 14 | 19 | 153411 | QSRL-1/8-6 | 1 |
| | 8 | 4.6 | 14.5 | 31.5 | 8 | 27.5 | 26 | 17 | 33 | 153413 | QSRL-1/8-8 | 1 |
| R1/4 | 6 | 3.1 | 12.5 | 26 | 11 | 20 | 23 | 14 | 23 | 153412 | QSRL-1/4-6 | 1 |
| | 8 | 4.6 | 14.5 | 30.5 | 11 | 24.5 | 26 | 17 | 32 | 153414 | QSRL-1/4-8 | 1 |
| R3/8 | 8 | 4.6 | 14.5 | 30.5 | 12 | 24 | 26 | 17 | 39 | 153415 | QSRL-3/8-8 | 1 |
| | 10 | 6.2 | 17.5 | 36 | 12 | 29.5 | 30 | 22 | 56 | 153416 | QSRL-3/8-10 | 1 |
| | 12 | 7.4 | 21 | 41.5 | 12 | 35 | 33 | 24 | 84 | 153417 | QSRL-3/8-12 | 1 |
| R1/2 | 12 | 7.4 | 21 | 41.5 | 15 | 33.5 | 33 | 24 | 90 | 153418 | QSRL-1/2-12 | 1 |

1) Packaging unit

Datasheet

Push-in L-fitting, rotatable QSRL

Rotatable 360°, with ball bearing
Male thread with external hex



| Pneumatic connection | | Nominal width | D5 ∅ | H1 | H2 | L1 | ⊕ | Weight/ piece | Part no. | Type | PU ¹⁾ |
|-----------------------------------|-----------------|---------------|---------|------|-----|------|----|------------------|---------------|---------------------|------------------|
| Male thread | For tubing O.D. | [mm] | | | | | | [g] | | | |
| D1 | D2 [mm] | [mm] | | | | | | | | | |
| G thread with sealing ring | | | | | | | | | | | |
| G1/8 | 4 | 1.9 | 10 | 21 | 5.1 | 19.7 | 13 | 15 | 186285 | QSRL-G1/8-4 | 1 |
| | 6 | 3.1 | 12.5 | 23 | 5.1 | 22.8 | 14 | 18 | 186286 | QSRL-G1/8-6 | 1 |
| | 8 | 4.6 | 14.5 | 30.5 | 5.1 | 25.7 | 17 | 35 | 186288 | QSRL-G1/8-8 | 1 |
| G1/4 | 6 | 3.1 | 12.5 | 22.5 | 5.6 | 22.8 | 17 | 25 | 186287 | QSRL-G1/4-6 | 1 |
| | 8 | 4.6 | 14.5 | 27 | 5.6 | 25.7 | 17 | 31 | 186289 | QSRL-G1/4-8 | 1 |
| G3/8 | 8 | 4.6 | 14.5 | 27.5 | 6.6 | 25.7 | 19 | 41 | 186290 | QSRL-G3/8-8 | 1 |
| | 10 | 6.2 | 17.5 | 33.3 | 6.6 | 29.5 | 22 | 59 | 186291 | QSRL-G3/8-10 | 1 |
| | 12 | 7.4 | 21 | 38.5 | 6.6 | 32.7 | 24 | 81 | 186292 | QSRL-G3/8-12 | 1 |
| G1/2 | 12 | 7.4 | 21 | 36.5 | 7.6 | 32.7 | 24 | 81 | 186293 | QSRL-G1/2-12 | 1 |

1) Packaging unit