

## Service unit FRC, FRCS

**FESTO**



## Characteristics

### At a glance

Filter, regulator and lubricator functions in a single unit.

- High flow rate and extremely efficient in removing contaminants
- Setting values are secured by locking the rotary knob
- Lockable rotary knob (FRCS, optional for FRC)
- Two pressure gauge connections for variable installation

The following oils are recommended for Festo components (viscosity range to ISO 3448, ISO class VG 32, 32 mm<sup>2</sup>/s (= cSt) at 40 °C):

- Festo special oil OFSW-32 (see accessories)
- ARAL Vitam GF 32
- BP Energol HLP 32
- ESSO Nuto H 32
- Mobil DTE 24
- Shell Tellus Oil DO 32

### Diagrams



The diagrams shown in this document are also available online. These can be used to display precise values.

### Version

[D] D series, metal

Sturdy in full metal design for the specific requirements of the process automation industry

### Pressure regulation range

Two pressure regulation ranges: 0.5...7 bar and 0.5...12 bar

### Grade of filtration

Grade of filtration of 5 µm or 40 µm can be selected.

### Pressure gauge

The filter regulator can be ordered with or without a pressure gauge. The interface has a thread of G1/4 or G1/8.

### Condensate drain

The following functions can be selected:

- Manual
- Fully automatic, normally closed

## Type code

001	Series
<b>FRC</b>	Service unit
<b>FRCS</b>	Service unit, lockable

002	Pneumatic connection
<b>1/8</b>	Female thread G1/8
<b>1/4</b>	Female thread G1/4
<b>3/8</b>	Female thread G3/8
<b>1/2</b>	Female thread G1/2
<b>3/4</b>	Female thread G3/4
<b>1</b>	Female thread G1

003	Version
<b>D</b>	D series, metal

004	Pressure regulation range
	0.5 ... 12 bar (0.05 ... 1.2 MPa)
<b>7</b>	0.5 ... 7 bar (0.05 ... 0.7 MPa)

005	Grade of filtration
	40 µm
<b>5M</b>	5 µm

006	Pressure gauge
	With pressure gauge
<b>0</b>	Without pressure gauge

007	Size
<b>MINI</b>	Grid dimension 40 mm (without connecting plates)
<b>MIDI</b>	Grid dimension 55 mm (without connecting plates)
<b>MAXI</b>	Grid dimension 66 mm (without connecting plates)

008	Condensate drain
	Manually rotating
<b>A</b>	Fully automatic

## Datasheet

Technical data – Mini		
Size	Mini	
Grade of filtration	5 µm	40 µm
Pneumatic connection, port 1	G1/8, G1/4, G3/8	
Pneumatic connection, port 2	G1/8, G1/4, G3/8	
Type of mounting	In-line installation With accessories	
Mounting position	Vertical +/-5°	
Air purity class at output	Compressed air to ISO 8573-1:2010 [6:8-] Inert gases	Compressed air to ISO 8573-1:2010 [7:8-] Inert gases
Bowl guard	Metal bowl guard	
Condensate drain	Fully automatic Manually rotating	
Actuator lock	Rotary knob with detent	Rotary knob with detent, Rotary knob with integrated lock
Pressure regulation range	0.5 ... 12 bar	
Max. pressure hysteresis	0.2 bar	
Pressure gauge (ANALOG) or Pressure display (DIGITAL)	Prepared for G1/8, With pressure gauge	
Max. condensate volume	22 cm <sup>3</sup>	
Operating pressure <sup>1)</sup>	1 ... 16 bar	
Operating medium <sup>2)</sup>	Compressed air to ISO 8573-1:2010 [-:9-] Compressed air to ISO 8573-1:2010 [7:9-] Inert gases	
Ambient temperature	-10 ... 60°C	
Media temperature	-10 ... 60°C	

1) For fully automatic condensate drain: 2 ... 12 bar

2) For fully automatic condensate drain: compressed air to ISO 8573-1:2010 [7:9-]

Technical data – Midi		
Size	Midi	
Grade of filtration	5 µm	40 µm
Pneumatic connection, port 2	G1/4, G3/8, G1/2, G3/4	
Type of mounting	In-line installation With accessories	
Mounting position	Vertical +/-5°	
Air purity class at output	Compressed air to ISO 8573-1:2010 [6:8-] Inert gases	Compressed air to ISO 8573-1:2010 [7:8-] Inert gases
Bowl guard	Metal bowl guard	
Condensate drain	Fully automatic Manually rotating	
Actuator lock	Rotary knob with detent	Rotary knob with detent, Rotary knob with integrated lock
Pressure regulation range	0.5 ... 12 bar	
Max. pressure hysteresis	0.2 bar	
Pressure gauge (ANALOG) or Pressure display (DIGITAL)	Prepared for G1/4, With pressure gauge	
Max. condensate volume	43 cm <sup>3</sup>	
Operating pressure <sup>1)</sup>	1 ... 16 bar	
Operating medium <sup>2)</sup>	Compressed air to ISO 8573-1:2010 [-:9-] Compressed air to ISO 8573-1:2010 [7:9-] Inert gases	
Ambient temperature	-10 ... 60°C	
Media temperature	-10 ... 60°C	

1) For fully automatic condensate drain: 2 ... 12 bar

2) For fully automatic condensate drain: compressed air to ISO 8573-1:2010 [7:9-]

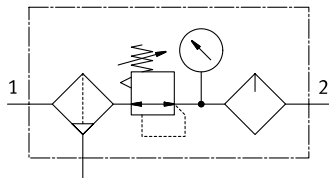
## Datasheet

Technical data – Maxi		
Size	Maxi	
Grade of filtration	5 µm	40 µm
Pneumatic connection, port 1	G1/2, G3/4, G1	
Pneumatic connection, port 2	G1/2, G3/4, G1	
Type of mounting	In-line installation With accessories	
Mounting position	Vertical +/-5°	
Air purity class at output	Compressed air to ISO 8573-1:2010 [6:8:-] Inert gases	Compressed air to ISO 8573-1:2010 [7:8:-] Inert gases
Bowl guard	Metal bowl guard	
Condensate drain	Fully automatic Manually rotating	
Actuator lock	Rotary knob with detent	Rotary knob with detent, Rotary knob with integrated lock
Pressure regulation range	0.5 ... 12 bar	
Max. pressure hysteresis	0.4 bar	
Pressure gauge (ANALOG) or Pressure display (DIGITAL)	Prepared for G1/4, With pressure gauge	
Max. condensate volume	80 cm <sup>3</sup>	
Operating pressure <sup>1)</sup>	1 ... 16 bar	
Operating medium <sup>2)</sup>	Compressed air to ISO 8573-1:2010 [-:9:-] Compressed air to ISO 8573-1:2010 [7:9:-] Inert gases	Compressed air to ISO 8573-1:2010 [-:9:-] Compressed air to ISO 8573-1:2010 [7:9:-] Inert gases Compressed air to ISO 8573-1:2010 [-:~:-]
Ambient temperature	-10 ... 60°C	
Media temperature	-10 ... 60°C	

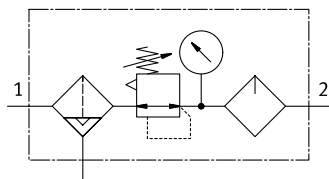
1) For fully automatic condensate drain: 2 ... 12 bar

2) For fully automatic condensate drain: compressed air to ISO 8573-1:2010 [7:9:-]

## Function (manual condensate drain, rotating, with pressure gauge)



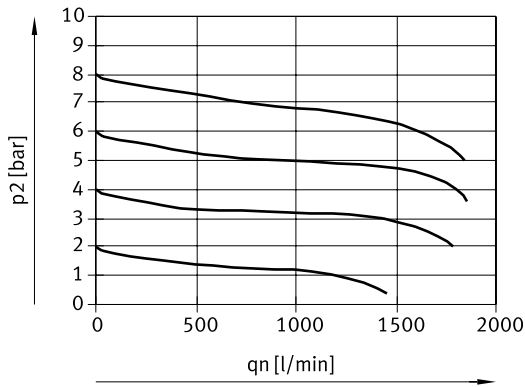
## Function (fully automatic condensate drain, with pressure gauge)



## Datasheet

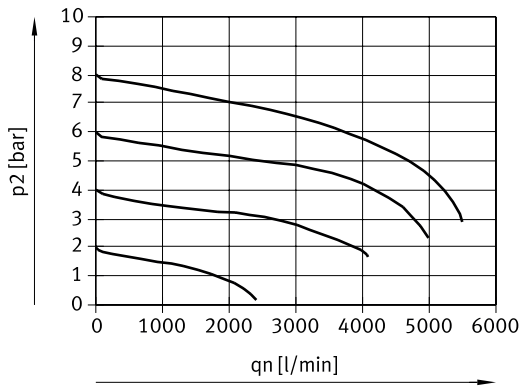
### Standard flow rate $q_n$ as a function of output pressure $p_2$ (FRC/FRCS-1/4-D-MINI)

Input pressure  $p_1 = 10$  bar



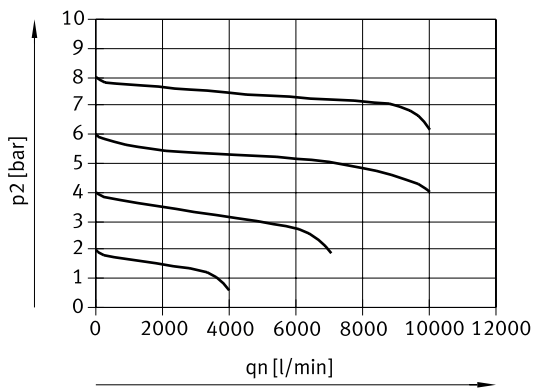
### Standard flow rate $q_n$ as a function of output pressure $p_2$ (FRC/FRCS-1/2-D-MIDI)

Input pressure  $p_1 = 10$  bar

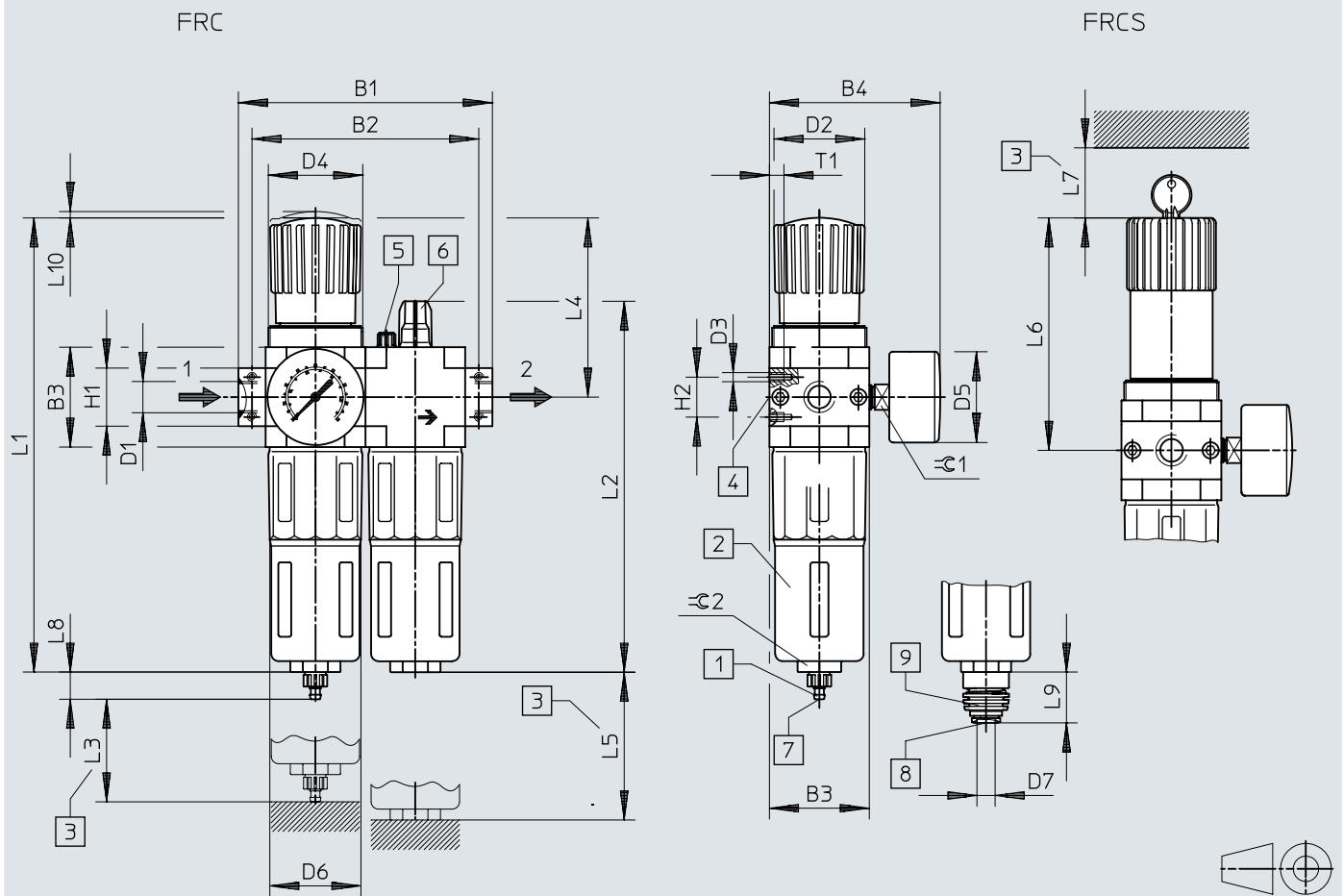


### Standard flow rate $q_n$ as a function of output pressure $p_2$ (FRC-1-D-MAXI)

Input pressure  $p_1 = 10$  bar



## Dimensions

Download CAD data [www.festo.com](http://www.festo.com)

- [1] Barbed connector for plastic tubing PUN(-H)-8x1.25
- [2] Metal bowl guard
- [3] Installation dimension
- [4] Second pressure gauge connection
- [5] Vent screw for oil reservoir
- [6] Oil adjusting screw
- [7] Manual condensate drain
- [8] Fully automatic condensate drain

## Dimensions

	B1	B2	B3	B4	D1	D2 ∅	D3	D4	D5 ∅	D6 ∅
FRC-1/8-D-MINI	104	92	40	76	G1/8	31	M4	M36x1,5	39	38
FRC/FRCS-1/4-D-MINI					G1/4					
FRC-3/8-D-MINI					G3/8					
FRC/FRCS-1/4-D-MIDI	140	125	55	95	G1/4	50	M5	M52x1,5	39	52
FRC-3/8-D-MIDI					G3/8					
FRC/FRCS-1/2-D-MIDI					G1/2					
FRC-3/4-D-MIDI					G3/4					
FRC/FRCS-1/2-D-MAXI	162	146	66	106	G1/2	31	M5	M36x1,5	39	65
FRC-3/4-D-MAXI					G3/4					
FRC-1-D-MAXI					G1					

	H1	H2	L1	L2	L3	L4	L5	L6	L7	L8	L9	L10	T1	≈ 1	≈ 2
FRC-1/8-D-MINI	20	11	193	169	60	69	100	98	60	15	19	3	7	14	22
FRC/FRCS-1/4-D-MINI															
FRC-3/8-D-MINI															
FRC/FRCS-1/4-D-MIDI	32	22	250	204	80	99	120	130	60	15	19	3	8	14	24
FRC-3/8-D-MIDI															
FRC/FRCS-1/2-D-MIDI															
FRC-3/4-D-MIDI															
FRC/FRCS-1/2-D-MAXI	32	22	252	228	90	82	150	111	60	15	19	3	8	14	24
FRC-3/4-D-MAXI	32														
FRC-1-D-MAXI	40														



## Ordering data

Ordering information – Mini						
Pneumatic connection, port 1	Standard nominal flow rate (standardised to DIN 1343)	Condensate drain	Pressure gauge	Product weight	Part no.	Type
G1/8	600 l/min	Fully automatic	With pressure gauge	660 g	162778	FRC-1/8-D-5M-MINI-A
			Without pressure gauge		192660	FRC-1/8-D-5M-O-MINI-A
		Manually rotating	With pressure gauge		162770	FRC-1/8-D-5M-MINI
			Without pressure gauge		192650	FRC-1/8-D-5M-O-MINI
	700 l/min	Fully automatic	With pressure gauge	600 g	159608	FRC-1/8-D-MINI-A
			Without pressure gauge		162746	FRC-1/8-D-O-MINI-A
		Manually rotating	With pressure gauge	660 g	159604	FRC-1/8-D-MINI
			Without pressure gauge	600 g	162738	FRC-1/8-D-O-MINI
	800 l/min	Fully automatic	With pressure gauge	660 g	162762	FRC-1/8-D-7-MINI-A
			Without pressure gauge		192640	FRC-1/8-D-7-O-MINI-A
		Manually rotating	With pressure gauge		162754	FRC-1/8-D-7-MINI
			Without pressure gauge		192630	FRC-1/8-D-7-O-MINI
G1/4	850 l/min	Fully automatic	With pressure gauge	660 g	162779	FRC-1/4-D-5M-MINI-A
			Without pressure gauge		192661	FRC-1/4-D-5M-O-MINI-A
		Manually rotating	With pressure gauge		162771	FRC-1/4-D-5M-MINI
			Without pressure gauge		192651	FRC-1/4-D-5M-O-MINI
	1,000 l/min	Fully automatic	With pressure gauge	600 g	159609	FRC-1/4-D-MINI-A
			Without pressure gauge		162747	FRC-1/4-D-O-MINI-A
		Manually rotating	With pressure gauge	660 g	159605	FRC-1/4-D-MINI
			Without pressure gauge	760 g	194864	FRCS-1/4-D-MINI
	1,300 l/min	Fully automatic	With pressure gauge	660 g	162763	FRC-1/4-D-7-MINI-A
			Without pressure gauge		192641	FRC-1/4-D-7-O-MINI-A
		Manually rotating	With pressure gauge		162755	FRC-1/4-D-7-MINI
			Without pressure gauge		192631	FRC-1/4-D-7-O-MINI
G3/8	1,050 l/min	Fully automatic	With pressure gauge	660 g	162780	FRC-3/8-D-5M-MINI-A
			Without pressure gauge		192662	FRC-3/8-D-5M-O-MINI-A
		Manually rotating	With pressure gauge		162772	FRC-3/8-D-5M-MINI
			Without pressure gauge		192652	FRC-3/8-D-5M-O-MINI
	1,200 l/min	Fully automatic	With pressure gauge	600 g	162736	FRC-3/8-D-MINI-A
			Without pressure gauge		162748	FRC-3/8-D-O-MINI-A
		Manually rotating	With pressure gauge	660 g	162734	FRC-3/8-D-MINI
			Without pressure gauge	600 g	162740	FRC-3/8-D-O-MINI
	1,500 l/min	Fully automatic	With pressure gauge	660 g	162764	FRC-3/8-D-7-MINI-A
			Without pressure gauge		192642	FRC-3/8-D-7-O-MINI-A
		Manually rotating	With pressure gauge		162756	FRC-3/8-D-7-MINI
			Without pressure gauge		192632	FRC-3/8-D-7-O-MINI

## Ordering data

Ordering information – Midi						
Pneumatic connection, port 1	Standard nominal flow rate (standardised to DIN 1343)	Condensate drain	Pressure gauge	Product weight	Part no.	Type
G1/4	1,300 l/min	Fully automatic	With pressure gauge	1,440 g	186502	FRC-1/4-D-5M-MIDI-A
			Without pressure gauge		192663	FRC-1/4-D-5M-O-MIDI-A
		Manually rotating	With pressure gauge		186499	FRC-1/4-D-5M-MIDI
			Without pressure gauge		192653	FRC-1/4-D-5M-O-MIDI
	1,500 l/min	Fully automatic	With pressure gauge	1,350 g	186500	FRC-1/4-D-MIDI-A
			Without pressure gauge		186501	FRC-1/4-D-O-MIDI-A
		Manually rotating	With pressure gauge	1,440 g	186497	FRC-1/4-D-MIDI
				1,680 g	194888	FRCS-1/4-D-MIDI
			Without pressure gauge	1,350 g	186498	FRC-1/4-D-O-MIDI
	1,700 l/min	Fully automatic	With pressure gauge	1,440 g	186504	FRC-1/4-D-7-MIDI-A
			Without pressure gauge		192643	FRC-1/4-D-7-O-MIDI-A
Manually rotating		With pressure gauge		186503	FRC-1/4-D-7-MIDI	
		Without pressure gauge		192633	FRC-1/4-D-7-O-MIDI	
G3/8		Fully automatic	With pressure gauge		162781	FRC-3/8-D-5M-MIDI-A
			Without pressure gauge		192664	FRC-3/8-D-5M-O-MIDI-A
		Manually rotating	With pressure gauge		162773	FRC-3/8-D-5M-MIDI
			Without pressure gauge		192654	FRC-3/8-D-5M-O-MIDI
	2,000 l/min	Fully automatic	With pressure gauge		162765	FRC-3/8-D-7-MIDI-A
			Without pressure gauge		159589	FRC-3/8-D-MIDI-A
		Manually rotating	With pressure gauge		192644	FRC-3/8-D-7-O-MIDI-A
					162757	FRC-3/8-D-7-MIDI
					159588	FRC-3/8-D-MIDI
			Without pressure gauge	1,350 g	162741	FRC-3/8-D-O-MIDI
		1,440 g	192634	FRC-3/8-D-7-O-MIDI		
	G1/2	1,800 l/min	Fully automatic	With pressure gauge		162782
Without pressure gauge				192665		FRC-1/2-D-5M-O-MIDI-A
Manually rotating			With pressure gauge	162774		FRC-1/2-D-5M-MIDI
			Without pressure gauge	192655		FRC-1/2-D-5M-O-MIDI
2,600 l/min		Fully automatic	With pressure gauge	1,680 g	159591	FRC-1/2-D-MIDI-A
			Without pressure gauge	1,350 g	194913	FRCS-1/2-D-MIDI-A
		Manually rotating	With pressure gauge	1,440 g	162750	FRC-1/2-D-O-MIDI-A
				1,680 g	159590	FRC-1/2-D-MIDI
				1,680 g	194912	FRCS-1/2-D-MIDI
			Without pressure gauge	1,350 g	162742	FRC-1/2-D-O-MIDI
2,800 l/min		Fully automatic	With pressure gauge	1,440 g	162766	FRC-1/2-D-7-MIDI-A
			Without pressure gauge		192645	FRC-1/2-D-7-O-MIDI-A
	Manually rotating	With pressure gauge		162758	FRC-1/2-D-7-MIDI	
		Without pressure gauge		192635	FRC-1/2-D-7-O-MIDI	
G3/4	2,100 l/min	Fully automatic	With pressure gauge		162783	FRC-3/4-D-5M-MIDI-A
			Without pressure gauge		192666	FRC-3/4-D-5M-O-MIDI-A
		Manually rotating	With pressure gauge		162775	FRC-3/4-D-5M-MIDI
			Without pressure gauge		192656	FRC-3/4-D-5M-O-MIDI
	2,600 l/min	Fully automatic	With pressure gauge		162737	FRC-3/4-D-MIDI-A

## Ordering data

Ordering information – Midi						
Pneumatic connection, port 1	Standard nominal flow rate (standardised to DIN 1343)	Condensate drain	Pressure gauge	Product weight	Part no.	Type
G3/4	2,600 l/min	Fully automatic	Without pressure gauge	1,350 g	162751	FRC-3/4-D-O-MIDI-A
			Without pressure gauge		162749	FRC-3/8-D-O-MIDI-A
		Manually rotating	With pressure gauge	1,440 g	162735	FRC-3/4-D-MIDI
			Without pressure gauge	1,350 g	162743	FRC-3/4-D-O-MIDI
	2,800 l/min	Fully automatic	With pressure gauge	1,440 g	162767	FRC-3/4-D-7-MIDI-A
			Without pressure gauge		192646	FRC-3/4-D-7-O-MIDI-A
		Manually rotating	With pressure gauge		162759	FRC-3/4-D-7-MIDI
			Without pressure gauge		192636	FRC-3/4-D-7-O-MIDI

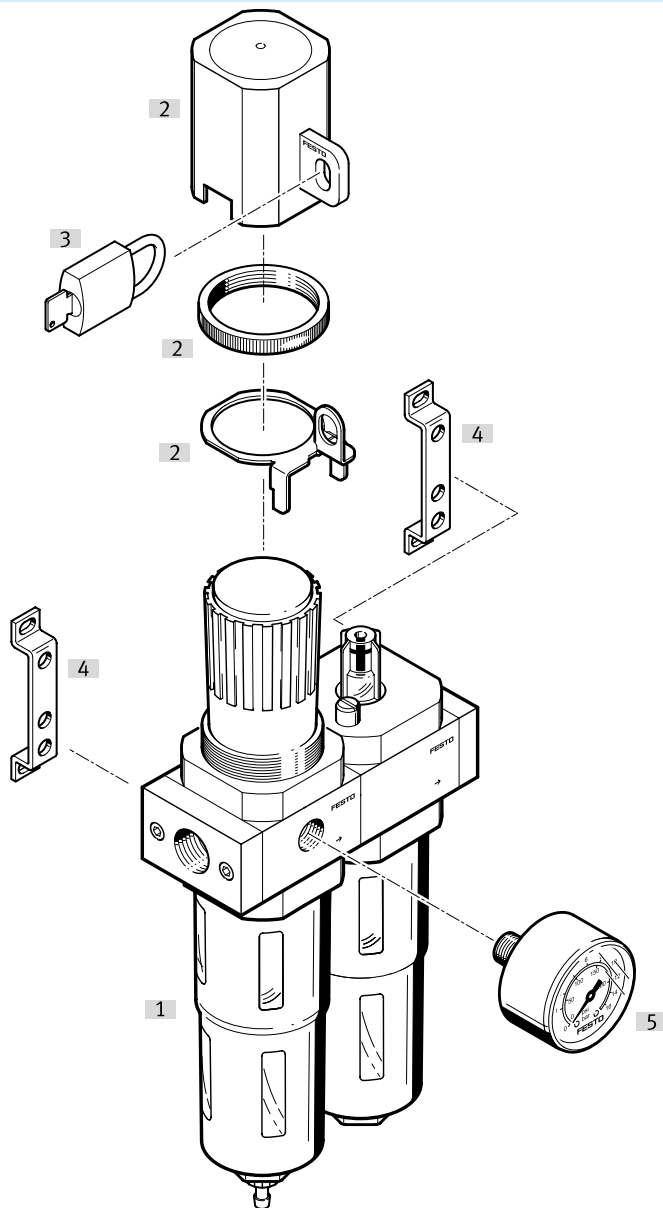
Ordering data – Maxi							
Pneumatic connection, port 1	Standard nominal flow rate (standardised to DIN 1343)	Condensate drain	Pressure gauge	Product weight	Part no.	Type	
G1/2	6,800 l/min	Fully automatic	With pressure gauge	2,390 g	186510	FRC-1/2-D-5M-MAXI-A	
			Without pressure gauge		192667	FRC-1/2-D-5M-O-MAXI-A	
		Manually rotating	With pressure gauge		186507	FRC-1/2-D-5M-MAXI	
			Without pressure gauge		192657	FRC-1/2-D-5M-O-MAXI	
	7,600 l/min	Fully automatic	With pressure gauge	2,490 g	186508	FRC-1/2-D-MAXI-A	
			Without pressure gauge	2,280 g	194937	FRCS-1/2-D-MAXI-A	
		Manually rotating	With pressure gauge	2,390 g	186505	FRC-1/2-D-MAXI	
			Without pressure gauge	2,280 g	186506	FRC-1/2-D-O-MAXI	
	7,700 l/min	Fully automatic	With pressure gauge	2,390 g	186512	FRC-1/2-D-7-MAXI-A	
			Without pressure gauge		192647	FRC-1/2-D-7-O-MAXI-A	
		Manually rotating	With pressure gauge		186511	FRC-1/2-D-7-MAXI	
			Without pressure gauge		192637	FRC-1/2-D-7-O-MAXI	
G3/4	7,000 l/min	Fully automatic	With pressure gauge	2,390 g	162784	FRC-3/4-D-5M-MAXI-A	
			Without pressure gauge		192668	FRC-3/4-D-5M-O-MAXI-A	
		Manually rotating	With pressure gauge		162776	FRC-3/4-D-5M-MAXI	
			Without pressure gauge		192658	FRC-3/4-D-5M-O-MAXI	
	8,300 l/min	Fully automatic	With pressure gauge	2,280 g	159610	FRC-3/4-D-MAXI-A	
			Without pressure gauge		162752	FRC-3/4-D-O-MAXI-A	
		Manually rotating	With pressure gauge		2,390 g	159606	FRC-3/4-D-MAXI
			Without pressure gauge		2,280 g	162744	FRC-3/4-D-O-MAXI
	8,500 l/min	Fully automatic	With pressure gauge	2,390 g	162768	FRC-3/4-D-7-MAXI-A	
			Without pressure gauge		192648	FRC-3/4-D-7-O-MAXI-A	
		Manually rotating	With pressure gauge		162760	FRC-3/4-D-7-MAXI	
			Without pressure gauge		192638	FRC-3/4-D-7-O-MAXI	
G1	7,200 l/min	Fully automatic	With pressure gauge	2,520 g	162785	FRC-1-D-5M-MAXI-A	
			Without pressure gauge		192669	FRC-1-D-5M-O-MAXI-A	
		Manually rotating	With pressure gauge		162777	FRC-1-D-5M-MAXI	
			Without pressure gauge		192659	FRC-1-D-5M-O-MAXI	
	8,500 l/min	Fully automatic	With pressure gauge	159611	FRC-1-D-MAXI-A		

## Ordering data

Ordering data – Maxi						
Pneumatic connection, port 1	Standard nominal flow rate (standardised to DIN 1343)	Condensate drain	Pressure gauge	Product weight	Part no.	Type
G1	8,500 l/min	Fully automatic	Without pressure gauge	2,460 g	<b>162753</b>	<b>FRC-1-D-O-MAXI-A</b>
		Manually rotating	With pressure gauge	2,520 g	<b>159607</b>	<b>FRC-1-D-MAXI</b>
			Without pressure gauge	2,460 g	<b>162745</b>	<b>FRC-1-D-O-MAXI</b>
	8,700 l/min	Fully automatic	With pressure gauge	2,520 g	<b>162769</b>	<b>FRC-1-D-7-MAXI-A</b>
			Without pressure gauge		<b>192649</b>	<b>FRC-1-D-7-O-MAXI-A</b>
		Manually rotating	With pressure gauge	<b>162761</b>	<b>FRC-1-D-7-MAXI</b>	

## Peripherals

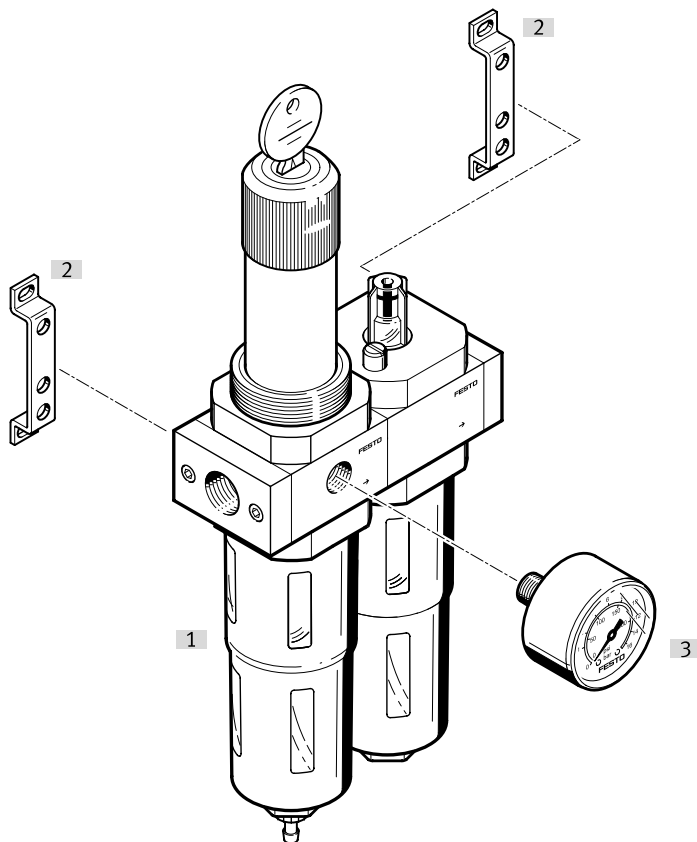
## Service unit FRC



Accessories		→ Link
Type/order code	Description	
[1] Service unit FRC		<a href="#">frc-d</a>
[2] Regulator lock LRVS		<a href="#">15</a>
[3] Padlock LRVS-D		<a href="#">15</a>
[4] Mounting bracket HFOE		<a href="#">15</a>
[5] Pressure gauge MA		<a href="#">15</a>

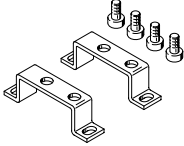
## Peripherals

### Service unit FRCS (lockable)

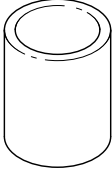


Accessories		→ Link
Type/order code	Description	
[1] Service unit FRC		<a href="#">frc-d</a>
[2] Mounting bracket HFOE		<a href="#">15</a>
[3] Pressure gauge MA		<a href="#">15</a>

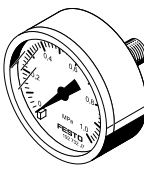
## Accessories

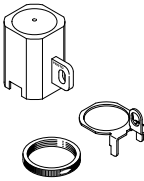
Mounting bracket HFOE-D-MIDI/MAXI					
	Short type code	Corrosion resistance class CRC <sup>1)</sup>	Part no.	Type	
	HFOE	2 - Moderate corrosion stress	159593	HFOE-D-MIDI/MAXI	

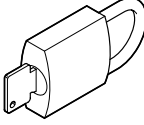
1) More information: [www.festo.com/x/topic/crc](http://www.festo.com/x/topic/crc)

Filter cartridges, D series, metal					
	Size	Grade of filtration <sup>1)</sup>	Part no.	Type	
	Maxi	5 µm	159641	LFP-D-MAXI-5M	
	Midi		159594	LFP-D-MIDI-5M	
	Mini		159640	LFP-D-MINI-5M	

1) Grade of filtration 5 µm: colour blue  
Grade of filtration 40 µm: colour white

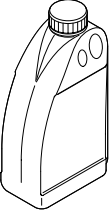
Pressure gauge MA						
	Size	Pneumatic connection	Indicating range	Product weight	Part no.	Type
	Diameter 40 mm	G1/8	0 ... 10 bar	60 g	359874	MA-40-10-1/8
			0 ... 16 bar		345395	MA-40-16-1/8
	Diameter 50 mm	G1/4	0 ... 10 bar	70 g	359873	MA-50-10-1/4
			0 ... 16 bar		356759	MA-50-16-1/4

Regulator lock LRVS					
	Size	LABS (PWIS) conformity	Product weight	Part no.	Type
	Grid dimension 40 mm (without sub-bases)	VDMA24364-B1/B2-L	40 g	193781	LRVS-D-MINI
	Grid dimension 55 mm (without sub-bases)		60 g	193782	LRVS-D-MIDI
	Grid dimension 66 mm (without sub-bases)		36 g	193784	LRVS-D-DI-MAXI
			56 g	193783	LRVS-D-MAXI

Padlock LRVS-D					
	Corrosion resistance class CRC <sup>1)</sup>	LABS (PWIS) conformity	Product weight	Part no.	Type
	2 - Moderate corrosion stress	VDMA24364-B1/B2-L	120 g	193786	LRVS-D

1) More information: [www.festo.com/x/topic/crc](http://www.festo.com/x/topic/crc)

## Accessories

Special oil OPSW-32			
	Short type code	Part no.	Type
	OFSW	152811	OFSW-32