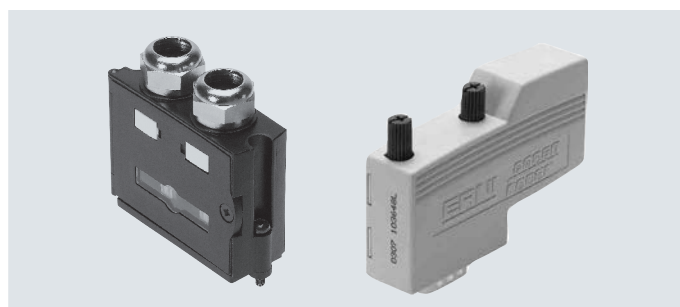


## Datasheet

### Plug FBS-SUB-9

- Fieldbus plug with 9-pin Sub-D connection
- Variants for different fieldbus systems
- Position of DIL switches can be read externally
- Easy to mount



General technical data				
Type	FBS-SUB-9-GS-DP-B	FBS-SUB-9-GS-IB-B	FBS-SUB-9-GS-2X4POL-B	FBS-SUB-9-GS-1X9POL-B
Electrical connection	Plug, 9-pin, Sub-D			
Control elements	DIL switch	–	–	–
Note on fieldbus interface	–	–	BUS In - BUS Out looped through	–
Additional functions	Switching off of outgoing fieldbus segment	Integrated RBST bridge	–	–
Permissible cable diameter [mm]	5 ... 10			
Degree of protection to EN 60529	IP65, IP67 (mounted)			
Height/length/width [mm]	62/61/20			

General technical data	
Type	FBS-SUB-9-WS-...
Electrical connection	Plug, 9-pin, Sub-D
Permissible cable diameter [mm]	4.5 ... 8
Degree of protection to EN 60529	IP40

Materials			
Type	FBS-SUB-9-GS-...	FBS-SUB-9-GS-1X9POL-B	FBS-SUB-9-WS-...
Housing	Reinforced PA	Reinforced PA	Thermoplastic
Seals	NBR	NBR	–
Screws	Steel	Steel	–
Union nut	Brass	Brass	–
Note on materials	RoHS-compliant	–	–
PWS conformity	–	VDMA24364-B2-L	–

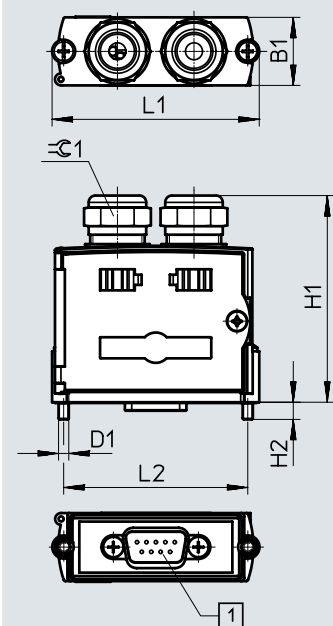
Operating and environmental conditions			
Type	FBS-SUB-9-GS-...	FBS-SUB-9-GS-1X9POL-B	FBS-SUB-9-WS-...
Ambient temperature [°C]	0 ... +50	0 ... +50	–20 ... +70
Storage temperature [°C]	–20 ... +70	–20 ... +70	–
Relative humidity [%]	95, non-condensing	95, non-condensing	–

## Datasheet

### Dimensions

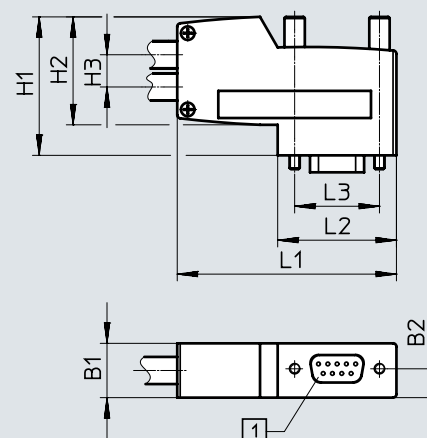
Download CAD data → [www.festo.com](http://www.festo.com)

FBS-SUB-9-GS-...



[1] Sub-D plug, 9-pin

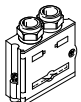
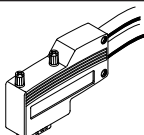
FBS-SUB-9-WS-...



[1] Sub-D plug, 9-pin

Type	B1	B2	D1	H1	H2	H3	L1	L2	L3	≙1
FBS-SUB-9-GS-...	20	–	M3x20	60.5	5	–	60.9	54.1	–	17
FBS-SUB-9-WS-...	16	8.5	–	40.8	31.8	9.5	64.6	35	25	–

### Ordering data

	Electrical connection	Protocol	Fieldbus interface	Product weight [g]	Part no.	Type
	Straight plug	PROFIBUS	2x 2 spring-loaded terminals	60	532216	FBS-SUB-9-GS-DP-B
		INTERBUS	1x 5 spring-loaded terminals	60	532217	FBS-SUB-9-GS-IB-B
		CC-LINK	2x 4 spring-loaded terminals	60	532220	FBS-SUB-9-GS-2x4POL-B
		RS232	1x 9 spring-loaded terminals	60	534497	FBS-SUB-9-GS-1x9POL-B
	Angled plug	PROFIBUS	–	43	533780	FBS-SUB-9-WS-PB-K
		CANopen	–	45.9	533783	FBS-SUB-9-WS-CO-K

# Festo - Your Partner in Automation



**1 Festo Inc.**  
5300 Explorer Drive  
Mississauga, ON L4W 5G4  
Canada

**Festo Customer Interaction Center**  
Tel: 1 877 463 3786  
Fax: 1 877 393 3786  
Email: [customer.service.ca@festo.com](mailto:customer.service.ca@festo.com)

**2 Festo Pneumatic**  
Av. Ceylán 3,  
Col. Tequesquináhuac  
54020 Tlalnepantla,  
Estado de México

**Multinational Contact Center**  
01 800 337 8669  
[ventas.mexico@festo.com](mailto:ventas.mexico@festo.com)

**3 Festo Corporation**  
1377 Motor Parkway  
Suite 310  
Islandia, NY 11749

**Festo Customer Interaction Center**  
1 800 993 3786  
1 800 963 3786  
[customer.service.us@festo.com](mailto:customer.service.us@festo.com)

**4 Regional Service Center**  
7777 Columbia Road  
Mason, OH 45040

Connect with us



[www.festo.com/socialmedia](http://www.festo.com/socialmedia)



[www.festo.com](http://www.festo.com)

Subject to change