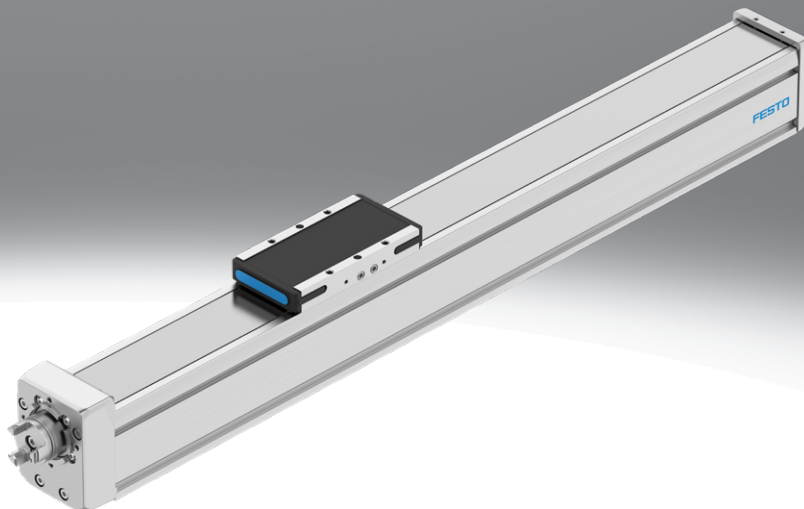


Ball screw axes ELGD-BS

FESTO



Key features

At a glance

ELGD-BS (standard design)

- Profile with a square cross-section and sturdy drive elements for high feed forces
- Suitable for the production of Li-ion batteries

ELGD-BS-WD (wide design)

- Reduced profile height offers smaller installation dimensions for handling systems and applications that do not require such high feed forces
- 30% lighter, while rigidity and guide load capacity are still similar to the axis in the standard design
- Suitable for the production of Li-ion batteries

Innovative guide technology

- Excellent rigidity and load capacity of the guide for greater loads in the same installation space
- Less vibration and smoother slide movement protect sensitive workpieces
- High speeds ensure short cycle times and a very long service life minimises downtime

Powerful drive elements

- High feed forces and acceleration for shorter process times
- Long service life and increased reliability reduce TCO

Innovative stainless steel cover strip solution

- Abrasion-free and clean surface protects workpieces from particles
- Minimised number of particles for use in cleanrooms
- Reduced ingress of dirt for use in harsh ambient conditions

Options:

- Extended or additional slide for higher axial and lateral torques and higher loads

Sealing air connection:

- Air is exchanged between the interior of the cylinder and the environment via the sealing air connection. This prevents negative pressure or excess pressure from building up inside the cylinder.
- Application of slight negative pressure prevents the emission of particles
- Application of slight excess pressure prevents the ingress of particles

Engineering tools

More information → [electric-motion-sizing](#)



Save time with smart engineering tools for the optimal solution. Our goal is to increase your productivity. Our engineering tools play an integral part in achieving this goal. They help you size your system correctly, tap into unimagined productivity reserves and generate additional productivity along the entire value chain. In every phase of your project, from the initial contact to the modernisation of your machine, you will come across a number of different tools which will be of use to you.

Electric Motion Sizing

- Create the optimum drive package quickly and reliably. Electric Motion Sizing calculates suitable combinations of electric axis, electric motor and servo drive using just a few application details. It provides you with all the relevant data including the bill of materials and documentation for the selected combination. This avoids design errors and results in significantly improved energy efficiency for the system. A smooth connection to the Festo Automation Suite also makes commissioning easier for you.

Graphs

More information → [elgd-bs](#)



The graphs shown in this document are also available online. There, precise values can be displayed.

Key features

Drive system

[BS] Ball screw

- For applications requiring precision
- High reliability and long service life
- For high loads

Stroke reserve

- The stroke reserve is a safety distance from the mechanical end position and is not used in normal operation.
- The sum of the stroke length and 2x stroke reserve must not exceed the maximum working stroke.

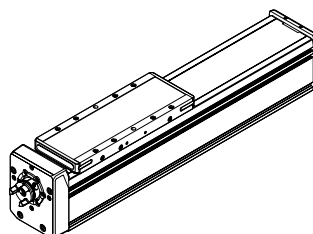
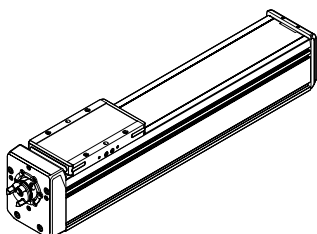
Screw pitch

- The screw pitch describes the distance travelled by the ball screw nut per revolution of the ball screw in millimetres.
- Thanks to the different screw pitches, it is possible to choose the smallest possible motor for the required speed and feed force.

Slide design

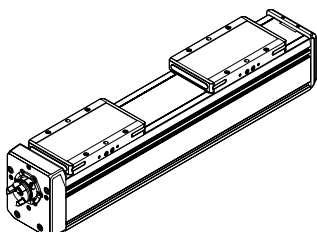
[] Standard

[L] Long



Additional slide

[ZR] Right



- The side on which the labelling is applied is defined as the front.
- The additional slide is currently only available on the right (the side away from the motor)
- The additional slide is always a standard slide

Lubrication

[] Standard

[GN] Lubrication nipple

With lifetime lubrication. Lubrication nipple not included in delivery.

- The lubrication adapters enable the guide to be permanently lubricated using semi- or fully automatic relubrication devices
- The adapters are suitable for oils and greases

Type codes

001	Series
ELGD	Gantry axis

002	Drive system
BS	Ball screw drive

003	Guide
KF	Recirculating ball bearing guide

004	Size
60	60
80	80

005	Stroke [mm]
100	100
200	200
300	300
400	400
500	500
600	600
800	800
1000	1000
...	50 ... 2000

006	Stroke reserve
0H	None
...H	0 ... 999 mm

007	Spindle pitch
5P	5 mm
10P	10 mm
20P	20 mm

008	Slide design
	Standard
L	Slide, long

009	Additional slide
	None
ZR	1 slide right

010	Lubrication
	Standard
GN	Lubrication nipple

Datasheet

General technical data						
Size		60			80	
Screw pitch	[mm/rev]	5	10	5	10	20
Design		Electromechanical axis with ball screw				
Guide		Recirculating ball bearing guide				
Mounting position		Any				
Working stroke	[mm]	50 ... 1000			50 ... 2000	
Max. feed force F_x						
With axial kit	[N]	1550	1550	2650	2650	2650
With parallel kit	[N]	1550	1550	2650	2650	1700
No-load torque at low travel speed	[Nm]	0.089	0.092	0.127	0.127	0.147
	[m/s]	0.05	0.05	0.05	0.05	0.1
No-load torque at max. travel speed	[Nm]	0.209	0.27	0.37	0.35	0.425
	[m/s]	0.25	0.5	0.25	0.5	1
Max. radial force ¹⁾	[N]	230	230	500	500	180
Max. rotational speed ²⁾	[rpm]	6667	6667	5000	5000	5000
Max. speed	[m/s]	0.56	1.11	0.42	0.83	1.67
Max. acceleration	[m/s ²]	15				
Repetition accuracy	[mm]	±0.01				
Reversing backlash	[mm]	0.15				
Position sensing		Via proximity switch				

1) At the drive shaft

2) Rotational speed and velocity are stroke-dependent

Operating and environmental conditions		
Ambient temperature ¹⁾	[°C]	0 ... +60
Degree of protection		IP30
Duty cycle	[%]	100
Maintenance interval		Lifetime lubrication

1) Note operating range of proximity switches

Weight [g]				
Size		60		80
Slide design			L	L
Basic weight with 0 mm stroke ¹⁾		1774	2286	3147
Additional weight per 10 mm stroke		54	54	90
Moving mass		555	810	990
				1671

1) Including slide

Ball screw			
Size		60	80
Diameter	[mm]	12	16
Pitch	[mm/rev]	5/10	5/10/20

Datasheet

Mass moment of inertia					
Size		60			
Screw pitch	[mm/rev]	5		10	
Slide design			L		L
J_0	[kg mm ²]	6.350	6.995	6.350	6.995
J_H per metre stroke	[kg mm ² /m]	15.716	15.716	15.716	15.716
J_L per kg payload	[kg mm ² /kg]	0.633	0.633	2.533	2.533

Mass moment of inertia							
Size		80					
Screw pitch	[mm/rev]	5		10		20	
Slide design			L		L		L
J_0	[kg mm ²]	10.619	13.662	10.619	13.662	10.619	13.662
J_H per metre stroke	[kg mm ² /m]	39.016	39.016	39.016	39.016	39.016	39.016
J_L per kg payload	[kg mm ² /kg]	0.633	0.633	2.533	2.533	0.101	0.101

The mass moment of inertia J_A of the entire axis is calculated as follows:

$$J_A = J_0 + J_H \times \text{working stroke [m]} + J_L \times m_{\text{payload [kg]}}$$

Homing

Homing can be carried out in two ways:

- Against a fixed stop
- Using a reference switch

The following values must be observed:

Size		60	80
Max. impact energy	[mJ]	1	2
Note on the impact energy in the end positions	[m/s]	At maximum homing speed of 0.01 m/s	

Materials

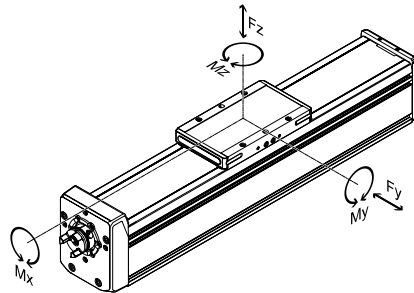
Axis	
Drive cover	Gravity die-cast aluminium, painted
Ball screw nut	Steel
Ball screw	Steel
Slide	Wrought aluminium alloy
Cover strip	High-alloy stainless steel
Guide	Steel
Profile	Anodised wrought aluminium alloy
Note on materials	RoHS-compliant
LABS (PWIS) conformity	VDMA24364 zone III
Suitable for the production of Li-ion batteries	Metals with more than 1% by mass of copper, zinc or nickel are excluded from use. Exceptions are nickel in steel, chemically nickel-plated surfaces, printed circuit boards, cables, electrical plug connectors and coils

Datasheet

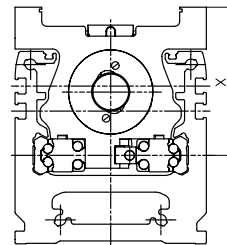
Load values

The indicated forces and torques refer to the centre of the guide.
 The point of application of force is the point where the centre of the guide and the longitudinal centre of the slide intersect.

The appropriate size is selected using the following three steps:
 1. Check the maximum permissible values (must not be exceeded)
 2. Calculate the load comparison factor
 3. Determine the service life



Distance from the slide surface to the centre of the guide



Distance from the slide surface to the centre of the guide

Size	60	80
Dimension x [mm]	60	62

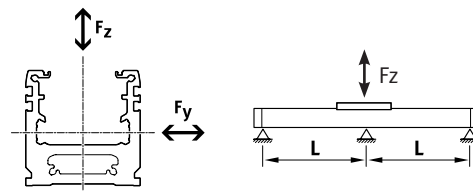
1. Check the maximum permissible values

Max. permissible forces and torques for the overall axis (strength limits)

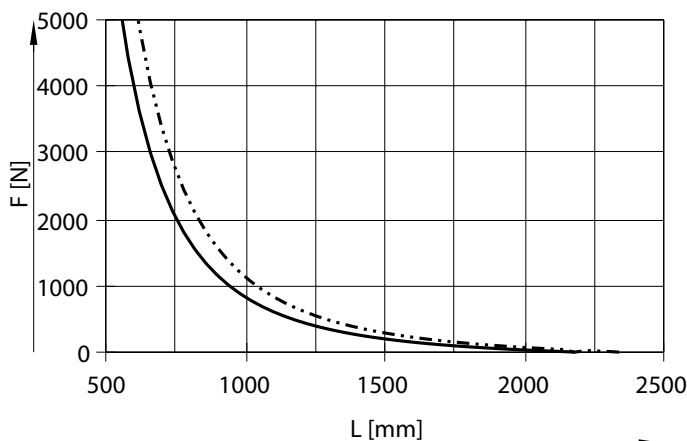
Size		60		80	
			L		L
Max. force Fy, overall axis	[N]	930	1650	2291	4581
Max. force Fz, overall axis	[N]	1300	2750	2500	4000
Max. torque Mx, overall axis	[Nm]	36	65	95	160
Max. torque My, overall axis	[Nm]	15	85	42	335
Max. torque Mz, overall axis	[Nm]	15	45	42	275

Maximum permissible support spacing L as a function of force F

The axis may need to be supported in order to limit deflection in the case of long strokes.
 The following graphs can be used to determine the maximum permissible support spacing L as a function of force F acting on the axis.
 The deflection is $f = 0.5 \text{ mm}$.

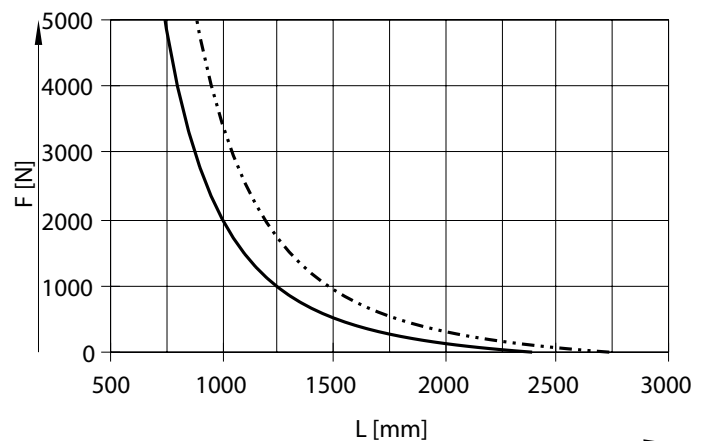


Size 60



— Fy
 - - - Fz

Size 80



— Fy
 - - - Fz

Datasheet

2. Calculate the load comparison factor

Note
 For a guide system to have a service life of 5000 km, the load comparison factor must have a value of $f_v \leq 1$, based on the maximum permissible forces and torques for a service life of 5000 km. This formula can be used to calculate a guide value. The engineering software "Electric Motion Sizing" is available for more precise calculations → www.festo.com/x/electric-motion-sizing

If the axis is subjected to several of the indicated forces and torques at the same time, the following equation must be satisfied in addition to the indicated maximum loads:

Calculating the load comparison factor:

$$f_v = \frac{|F_{y1}|}{F_{y2}} + \frac{|F_{z1}|}{F_{z2}} + \frac{|M_{x1}|}{M_{x2}} + \frac{|M_{y1}|}{M_{y2}} + \frac{|M_{z1}|}{M_{z2}} \leq 1$$

F_1/M_1 = values occurring in the application

F_2 = Permissible values at 5000 km from the graph "support spacing overload"

M_2 = maximum permissible values (see table)

Max. permissible torques for the guide calculation with reference service life

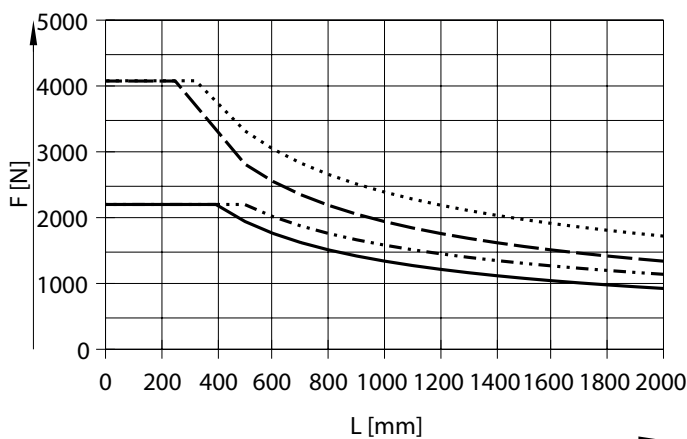
Size	60	80	
Slide design		L	L
Reference service life [km]	5000		
Max. torque Mx [Nm]	37	65	95
Max. torque My [Nm]	15	141	42
Max. torque Mz [Nm]	15	139	42

Max. permissible support spacing L as a function of the force F

Depending on how firmly the axis is supported, the maximum permissible forces vary due to the design of the guide system.

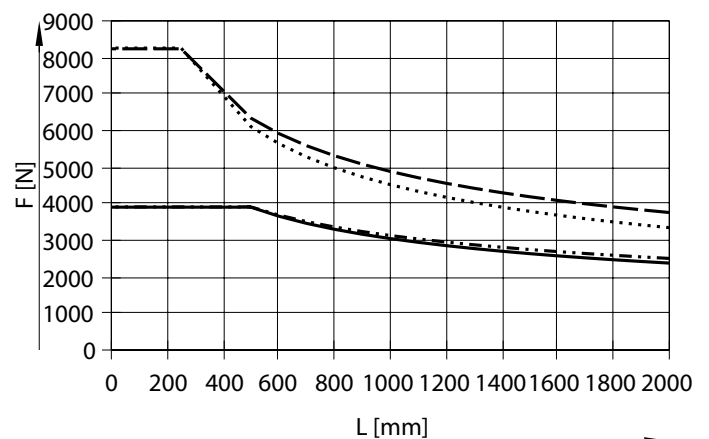
If the axis is used as a cantilever or in yoke operation, the values for a support spacing of 2000 mm can be selected.

Size 60



- Fy - ELGD-60
- - Fz - ELGD-60
- · Fy - ELGD-60-L
- · Fz - ELGD-60-L

Size 80



- Fy - ELGD-80
- - Fz - ELGD-80
- · Fy - ELGD-80-L
- · Fz - ELGD-80-L

Datasheet

3. Determine the service life

The service life of the guide depends on the load. To be able to provide an indication of the service life of the guide, the graph below plots the load comparison factor f_v against the service life.

These values are only theoretical. You must consult your local Festo contact for a load comparison factor f_v greater than 1.3.

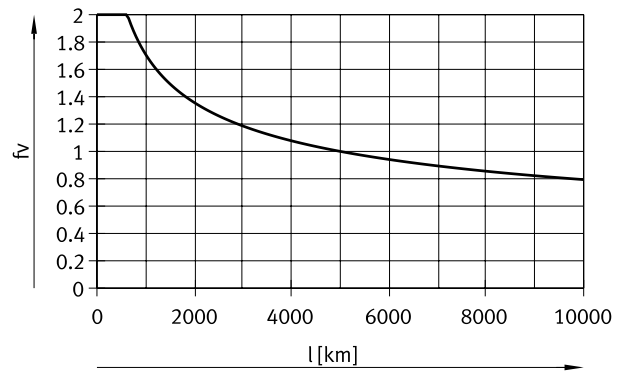
Load comparison factor f_v as a function of service life l

Example:

A user wants to move an x kg load. Using the formula (→ page 1) gives a value of 1.3 for the load comparison factor f_v . According to the graph, the guide would have a service life of approx. 2500 km. Reducing the acceleration reduces the M_z and M_y values. A load comparison factor f_v of 1 now gives a service life of 5000 km.

Note:

If the application has been calculated using “Electric Motion Sizing”, the average guide comparison index represents the workload of the guide. (100% average guide comparison index corresponds to $f_v = 1$). With this value, the service life can be estimated using the service life graph



Comparison of the characteristic load values for 100 km with dynamic forces and torques of recirculating ball bearing guides

The characteristic load values of the bearing guides are standardised to ISO and JIS using dynamic and static forces and torques. These forces and torques are based on an expected service life of the guide system of 100 km to ISO or 50 km to JIS.

As the characteristic load values are dependent on the service life, the maximum permissible forces and torques for a 5000 km service life cannot be compared with the dynamic forces and torques of bearing guides to ISO/JIS.

To make it easier to compare the guide capacity of linear axes ELGD with bearing guides, the table below lists the theoretically permissible forces and torques for a calculated service life of 100 km. This corresponds to the dynamic forces and torques to ISO.

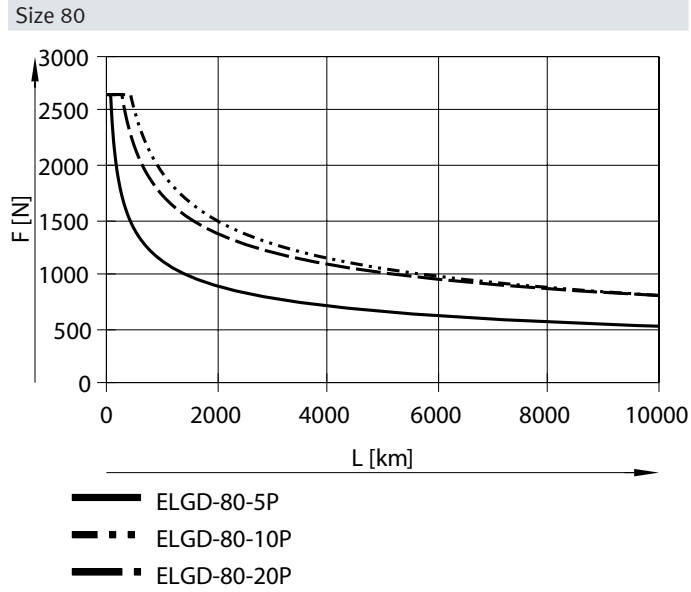
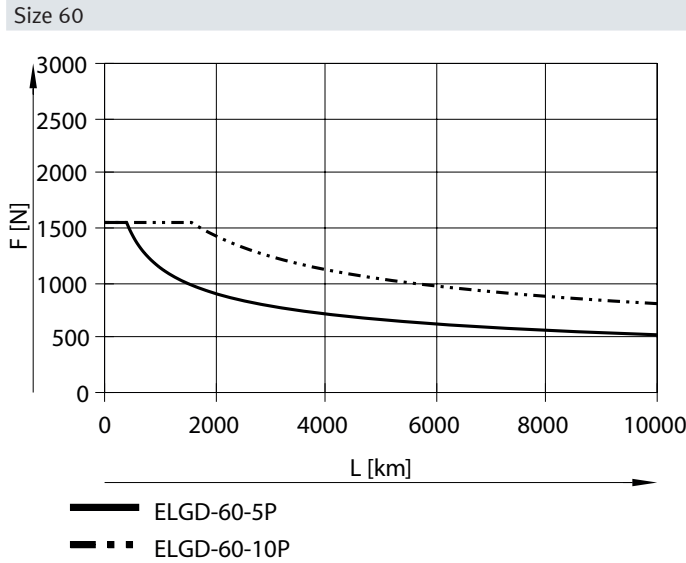
These 100 km values have been calculated mathematically and are only to be used for comparing with dynamic forces and torques to ISO. The drives must not be loaded with these characteristic values as this could damage the axes.

Max. permissible forces and torques for a theoretical service life of 100 km (from a guide perspective only)

Size	60		80	
		L		L
$F_{y_{max}}$ [N]	9208	18415	17576	35153
$F_{z_{max}}$ [N]	9208	18415	17576	35153
$M_{x_{max}}$ [Nm]	157	314	422	844
$M_{y_{max}}$ [Nm]	60	500	162	1356
$M_{z_{max}}$ [Nm]	60	500	162	1356

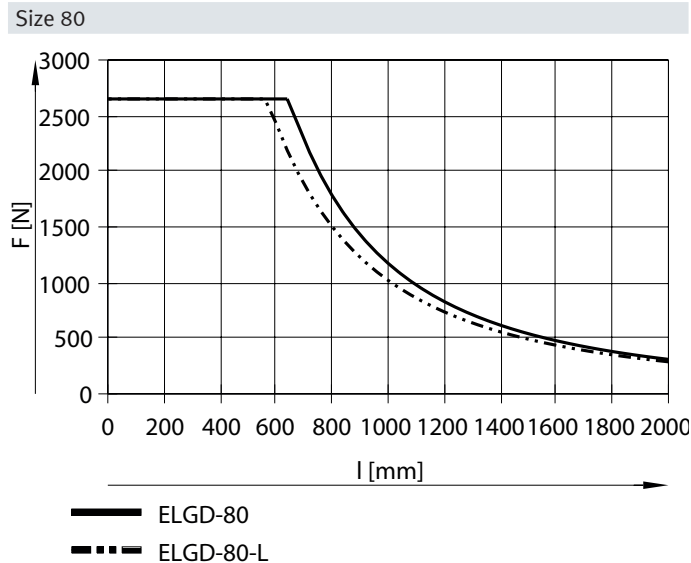
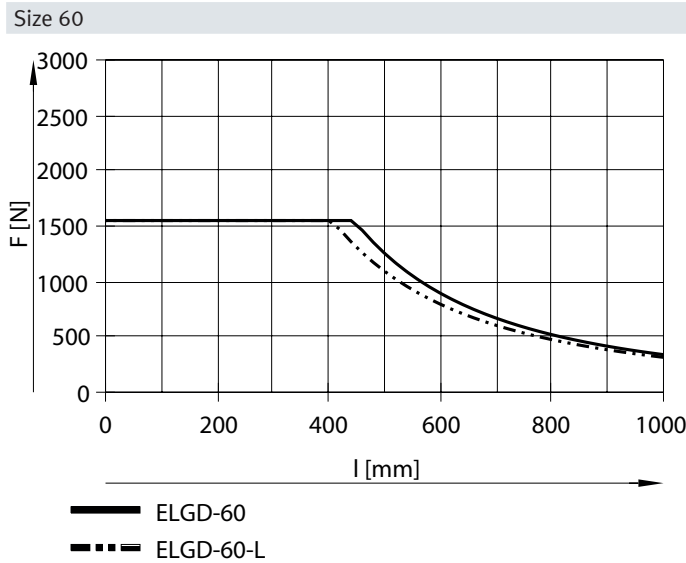
Datasheet

Feed force F as a function of running performance L



Max. feed force F as a function of the working stroke l

The feed force that pushes the ball screw in the direction of the motor must be limited depending on the stroke due to possible buckling (e.g. acceleration of a load mass away from the motor, deceleration of a load moving towards the motor). The feed force in the opposite direction is not affected by this.

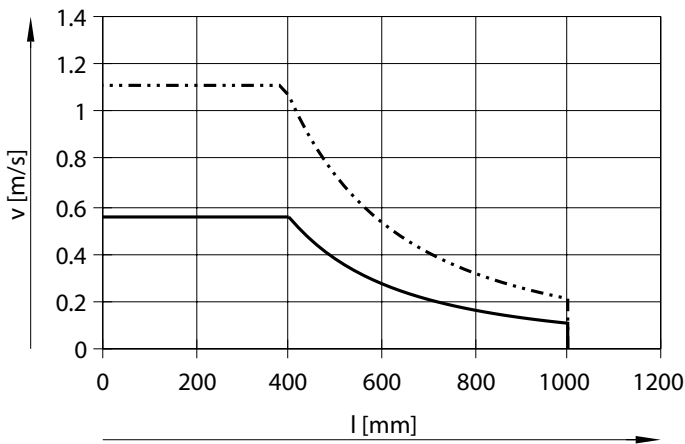


Datasheet

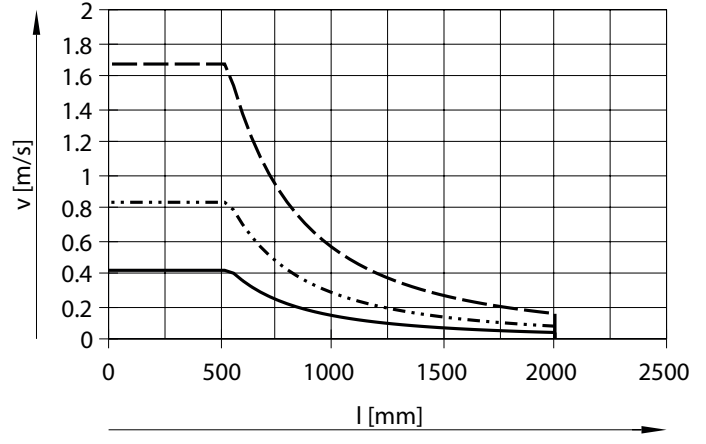
Speed v as a function of working stroke l

Size 60

Size 80

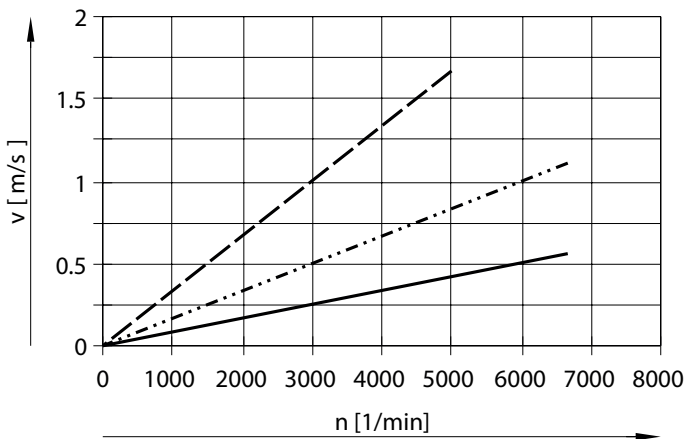


— ELGD-60-5P
 - - ELGD-60-10P



— ELGD-80-5P
 - - ELGD-80-10P
 - · ELGD-80-20P

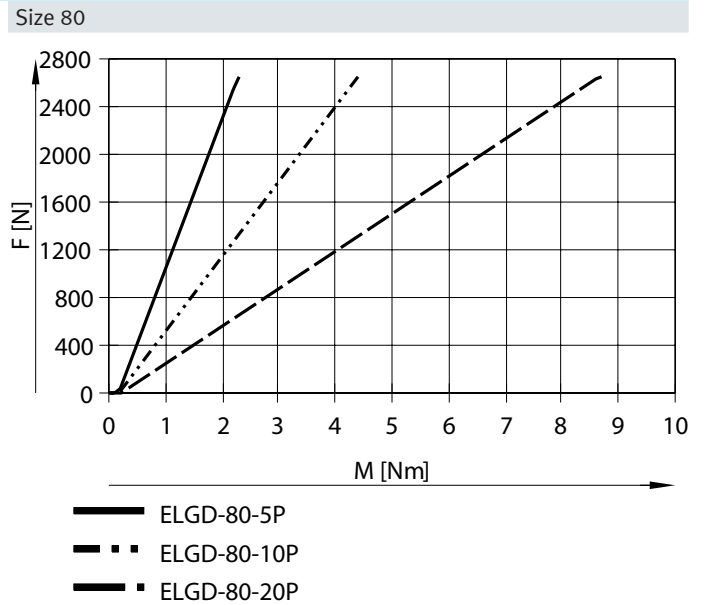
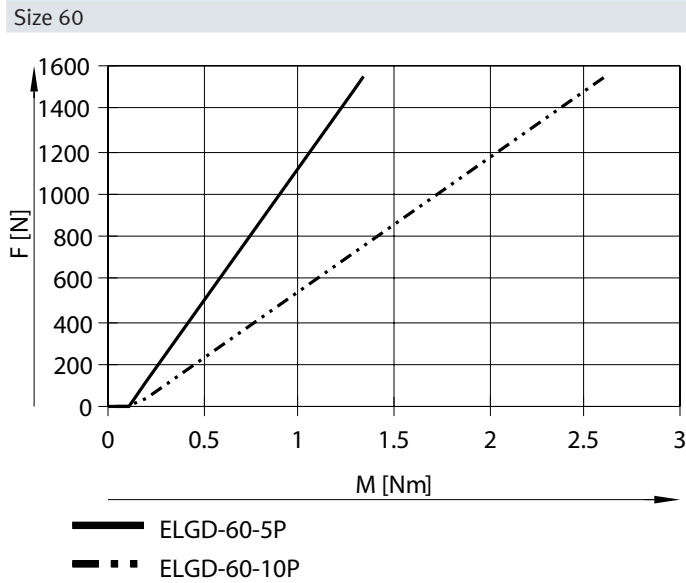
Speed v as a function of rotational speed n



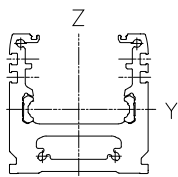
— ELGD-60/80-5P
 - - ELGD-60/80-10P
 - · ELGD-80-20P

Datasheet

Feed force F as a function of input torque M



2nd moment of area



Size	60	80
I_y [mm ⁴]	0.509x10 ⁶	1.213x10 ⁶
I_z [mm ⁴]	0.686x10 ⁶	2.052x10 ⁶

Recommended deflection limits

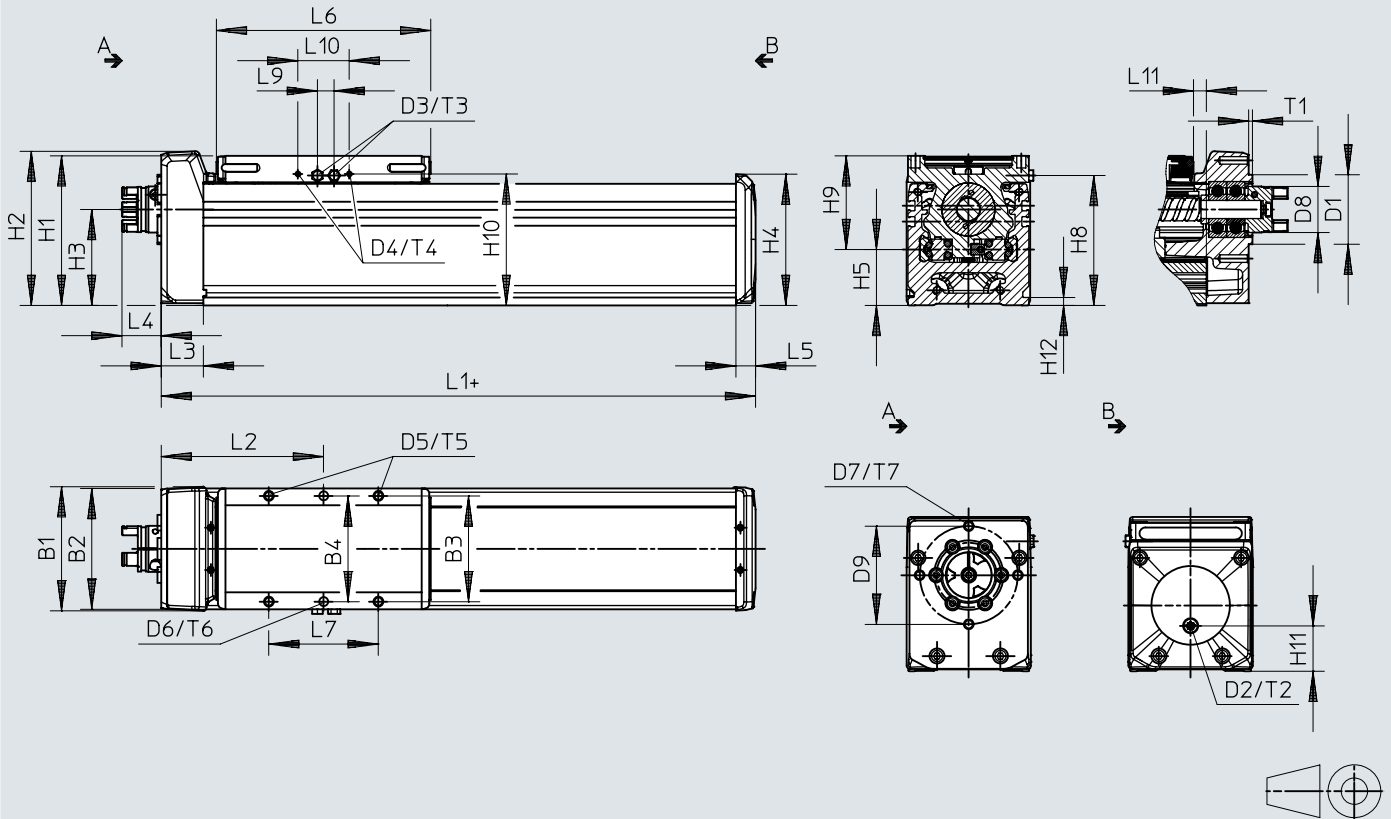
Compliance with the following critical limits for deflection is recommended to ensure the continuing functionality of the axes. Greater deformation can result in increased friction, greater wear and reduced service life.

Size	Dynamic deflection (moving load)	Static deflection (stationary load)
60, 80	0.05% of the axis length, max. 0.5 mm	0.1% of the axis length

Datasheet

Dimensions – ELGD-BS-...

Download CAD data → www.festo.com



+ = plus stroke length + 2x stroke reserve

	B1	B2	B3	B4	D1	D2	D3	D4	D5	D6	D7	D8	D9	H1
				±0.03	∅ f7					∅ H7		∅	∅	
ELGD-BS-60	62	60	52.5	52.5	42	G1/8	M6	M3	M5	5	M4	30.5	48	82
ELGD-BS-80	82.2	80	70	70	46	G1/8	M6	M3	M6	6	M6	30.5	65	99

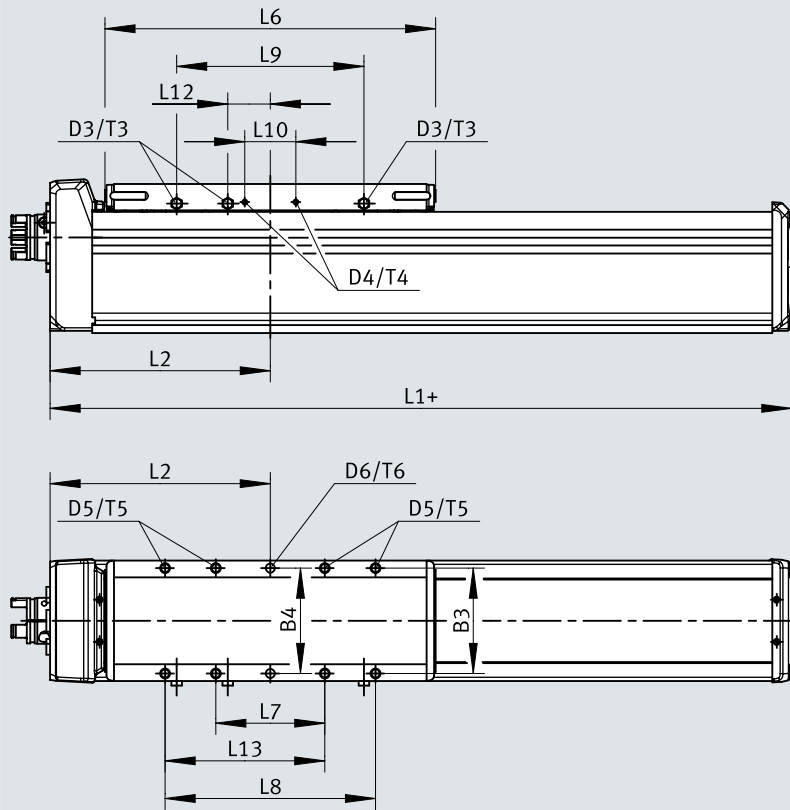
	H2	H3	H4	H5	H8	H9	H10	H11	H12	L1	L2	L3	L4	L5
											min.			
ELGD-BS-60	79	49.4	69.9	22	70	60	71	23.4	5.3	170.5	95	26.5	26.9	15.5
ELGD-BS-80	102.2	63.5	86.9	37	86	62	87	30	5.3	193.5	108	28	25.9	13

	L6	L7	L9	L10	L11		T1	T2	T3	T4	T5	T6	T7
					min.	max.							
		±0.1										±0.05	
ELGD-BS-60	118	50	11.8	34	9	9.5	2.5	6	6	7	16.5	6	8
ELGD-BS-80	142	72.5	11	34	9	9.5	2.5	6	6	7	17.5	8	15

Datasheet

Dimensions – ELGD-BS-...L (with long slide)

Download CAD data → www.festo.com



+ = plus stroke length + 2x stroke reserve

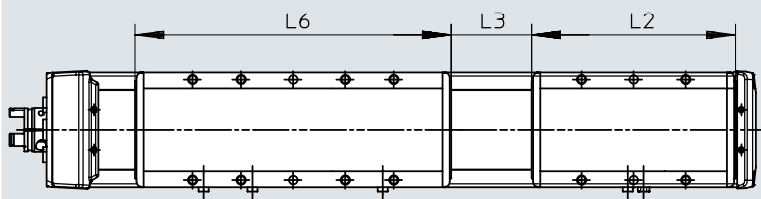
	B3	B4	D3	D4	D5	D6 ∅ H7	L1	L2 min.	L6
ELGD-BS-60-L	52.5	52.5 ±0.03	M6	M3	M5	5	211.5	116.5	159
ELGD-BS-80-L	70	70	M6	M3	M6	6	271.5	146.5	220

	L7	L8	L9	L10	L12	L13	T3	T4	T5	T6
	±0.1	±0.1								±0.05
ELGD-BS-60-L	50	95	79	34	5.9	72.5	6	7	16.5	6
ELGD-BS-80-L	72.5	140	124.6	34	28.3	106.3	6	7	17.5	8

Datasheet

Dimensions – ELGD-BS-...-ZR (with additional slide)

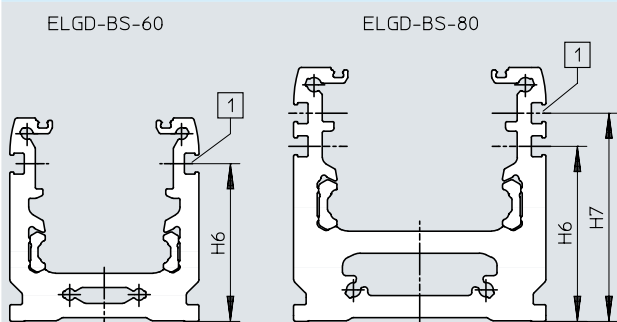
Download CAD data → www.festo.com



	L2	L3 (Minimum distance)	L6
ELGD-BS-60	118	50	118
ELGD-BS-80	142	50	142
ELGD-BS-60-L	118	50	159
ELGD-BS-80-L	142	50	220

Dimensions – ELGD-BS-...- (profile)

Download CAD data → www.festo.com



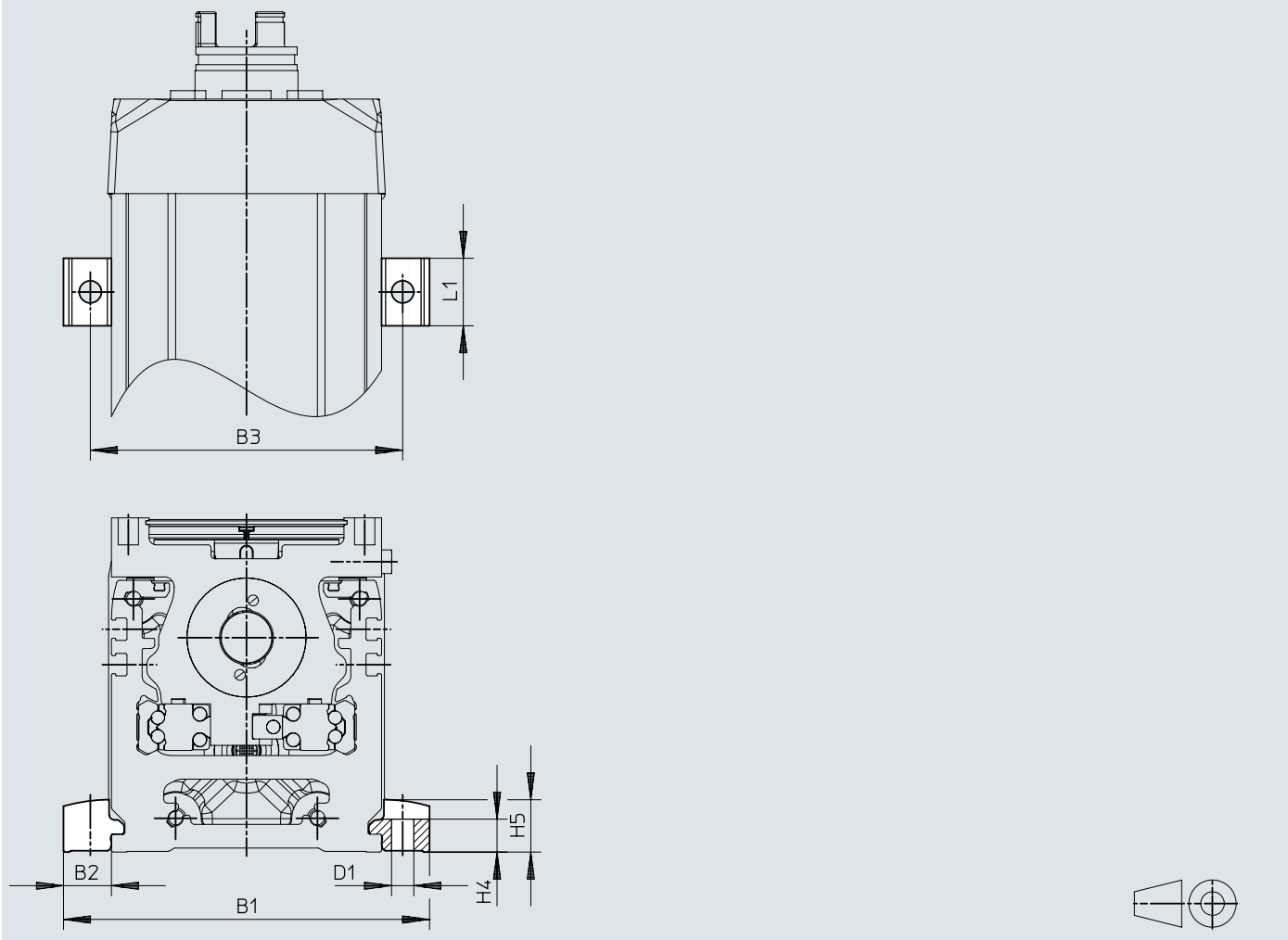
[1] Sensor slot for proximity switch

	H6	H7
ELGD-BS-60	50	–
ELGD-BS-80	55.5	66

Datasheet

Dimensions – Profile mounting EAHF-E24-60-P-S

Download CAD data → www.festo.com

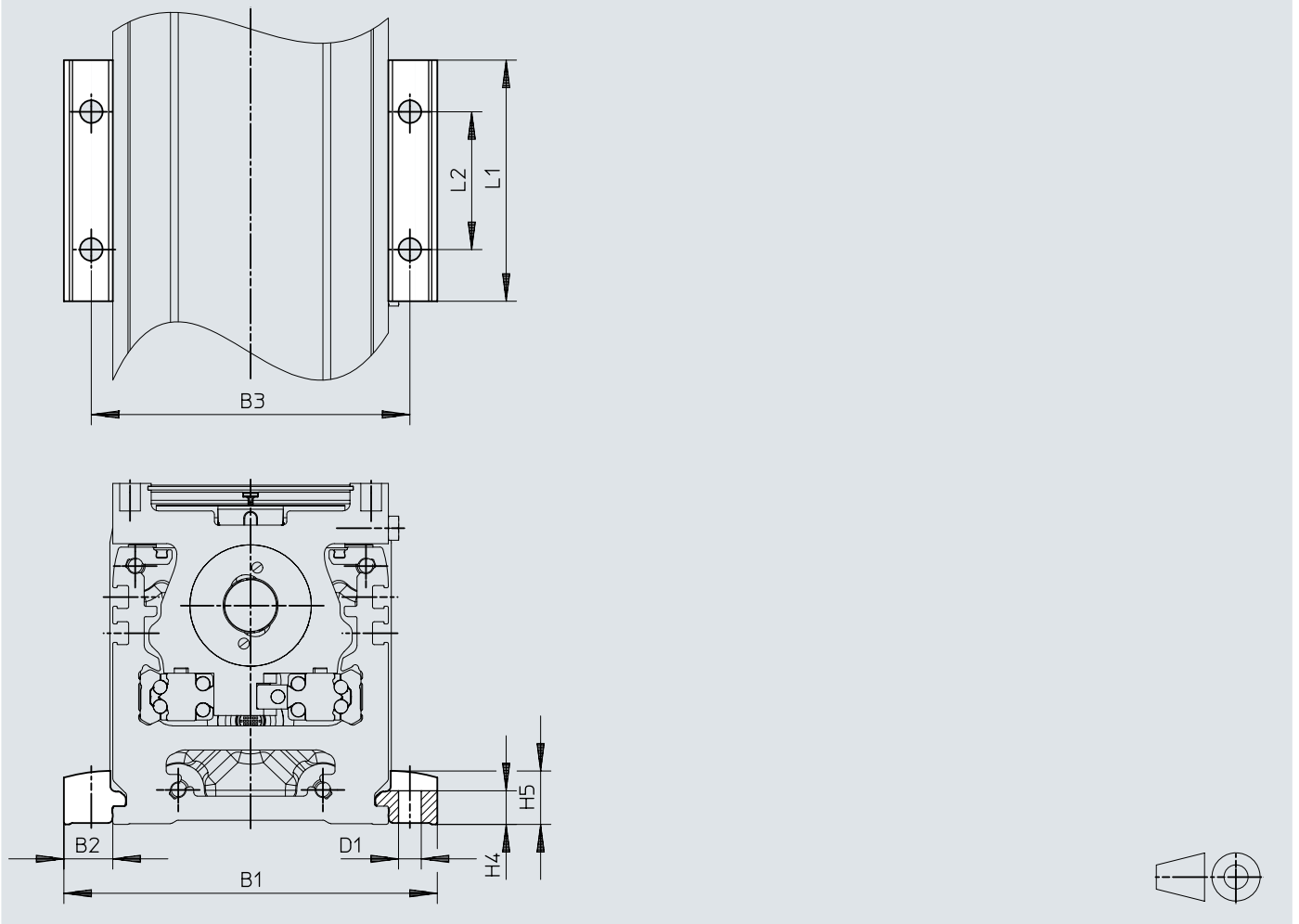


		B1	B2	B3	D1 ∅ H13	H4 ±0.1	H5	L1
EAHF-E24-60-P-S	ELGD-BS-60	88.4	14.2	72.5	6.6	9.8	15.5	20
	ELGD-BS-80	108.4	14.2	92.5	6.6	9.8	15.5	20

Datasheet

Dimensions – Profile mounting EAHF-E24-60-P
(standard mounting)

Download CAD data → www.festo.com

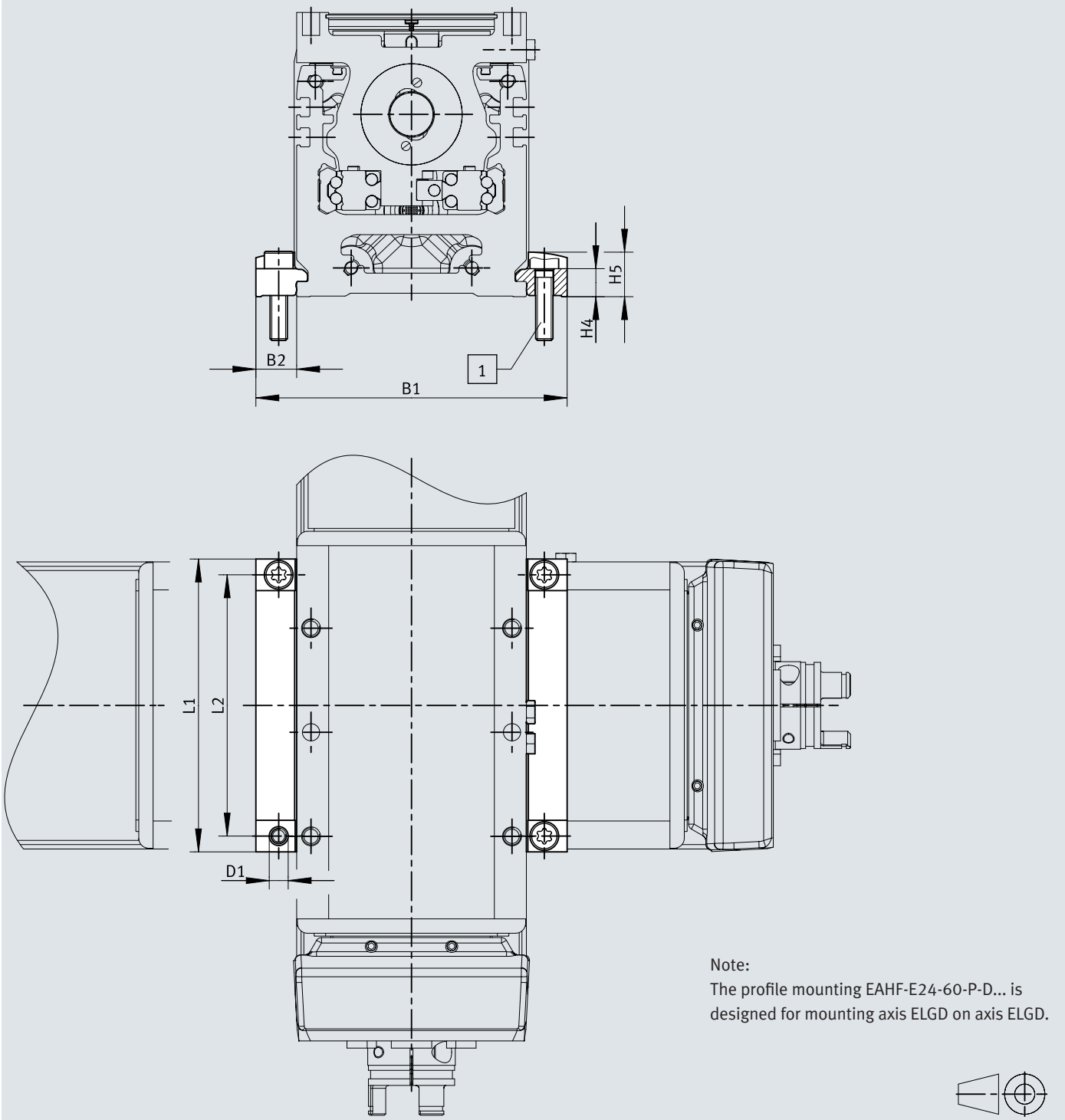


		B1	B2	B3	D1 ∅ H13	H4 ±0.1	H5	L1	L2
EAHF-E24-60-P	ELGD-BS-60	88.4	14.2	72.5	6.6	9.8	15.5	70	40
	ELGD-BS-80	108.4	14.2	92.5	6.6	9.8	15.5	70	40

Datasheet

Dimensions – Profile mounting EAHF-E24-60-P-D

Download CAD data → www.festo.com



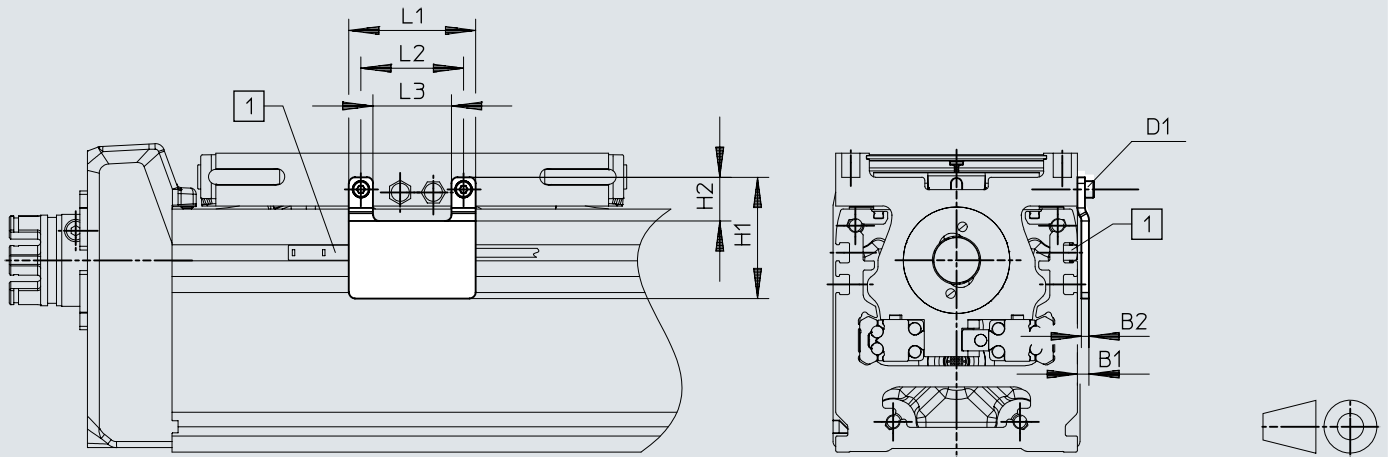
[1] Screws are included in the scope of delivery

		B1	B2	D1 ∅ H13	H4 ±0.1	H5	L1	L2
EAHF-E24-60-P-D5	ELGD-BS-60	88.4	14.2	5.5	9.8	15.5	62	52.5
EAHF-E24-60-P-D4	ELGD-BS-80	108.4	14.2	6.6	9.8	15.5	81	70

Datasheet

Dimensions – Switch lug EAPM-E24-60-SLS

Download CAD data → www.festo.com



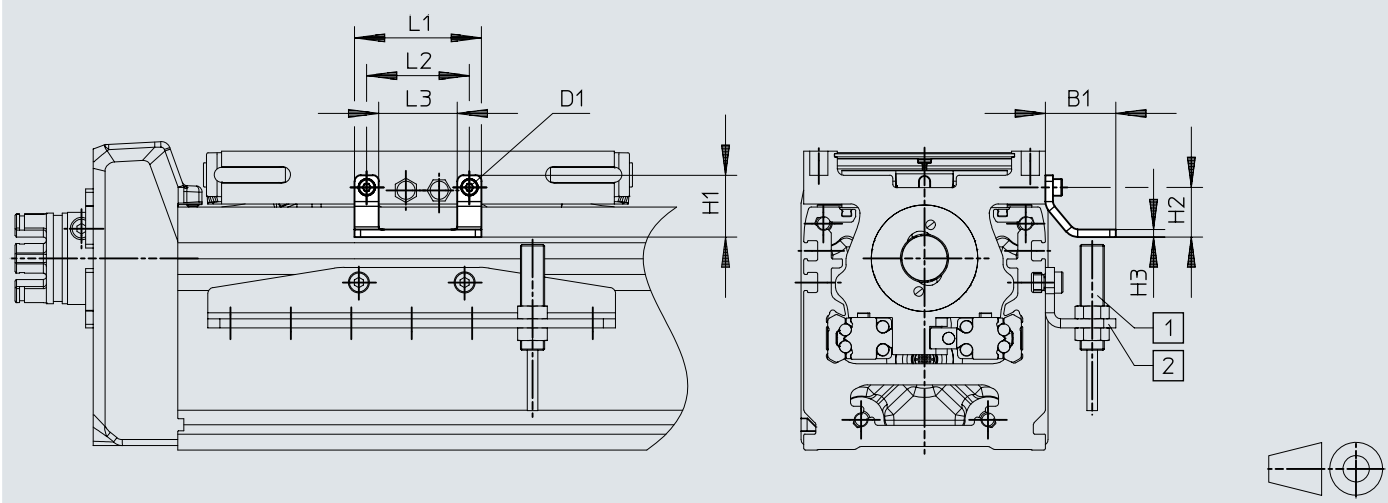
[1] Sensor slot for proximity switch SIES-8M

		B1	B2	D1	H1	H2	L1	L2	L3
EAPM-E24-60-SLS	ELGD-BS-60	3.8	2.5	M3x8	40.2	14.5	42	34	26
	ELGD-BS-80								

Datasheet

Dimensions – Switch lug EAPM-E24-...-SLE

Download CAD data → www.festo.com



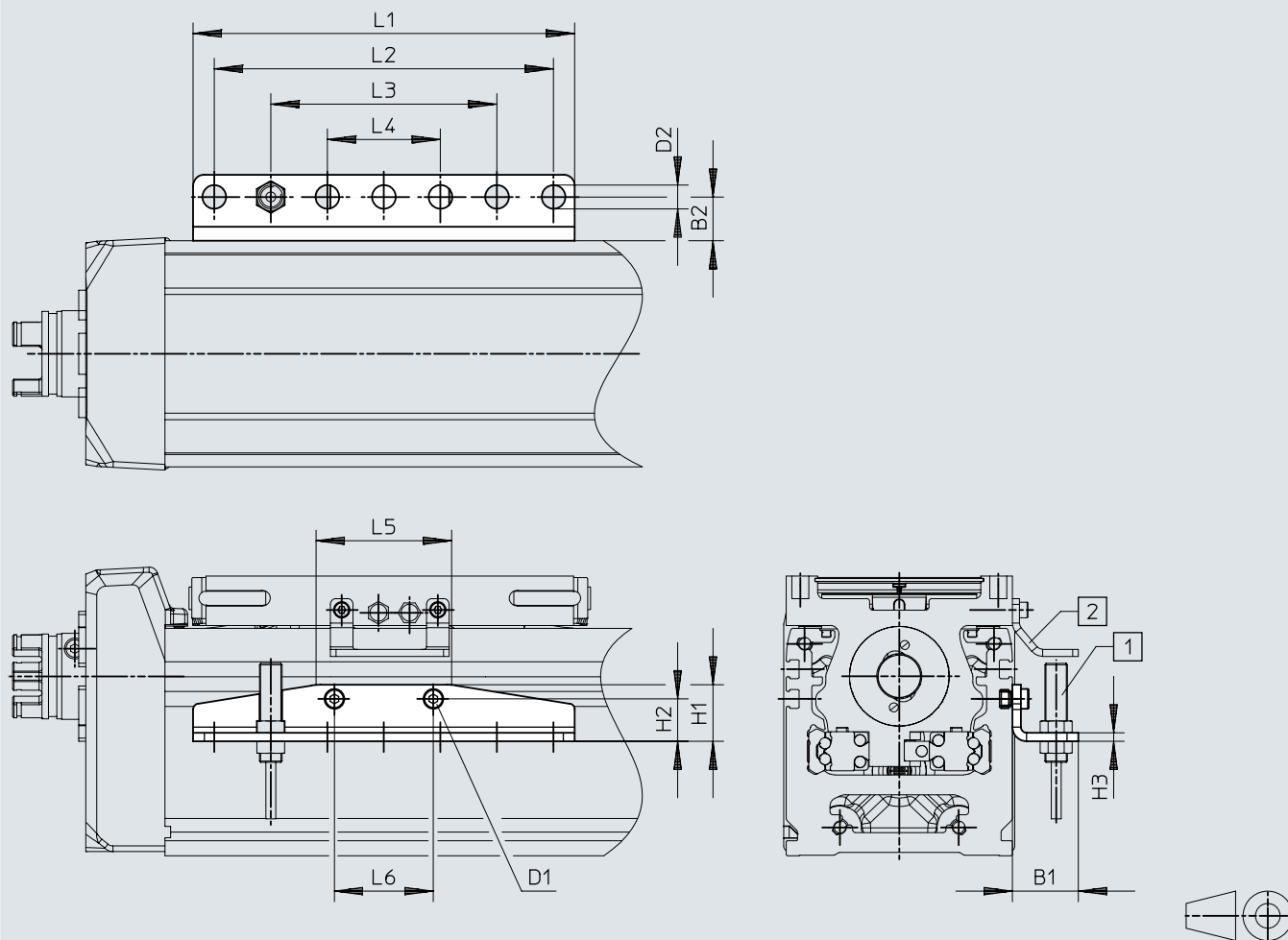
- [1] Proximity switch SIEN-M8
- [2] Sensor bracket EAPM-E24-60-SHE

		B1	D1	H1	H2	H3	L1	L2	L3
EAPM-E24-60-SLE	ELGD-BS-60	23.4	M3	20.5	16.5	2.5	42	34	26
	ELGD-BS-80								

Datasheet

Dimensions – Sensor bracket EAPM-E24-60-SHE

Download CAD data → www.festo.com



- [1] Proximity switch SIEN-8M
- [2] Switch lug EAPM-E24-60-SLE

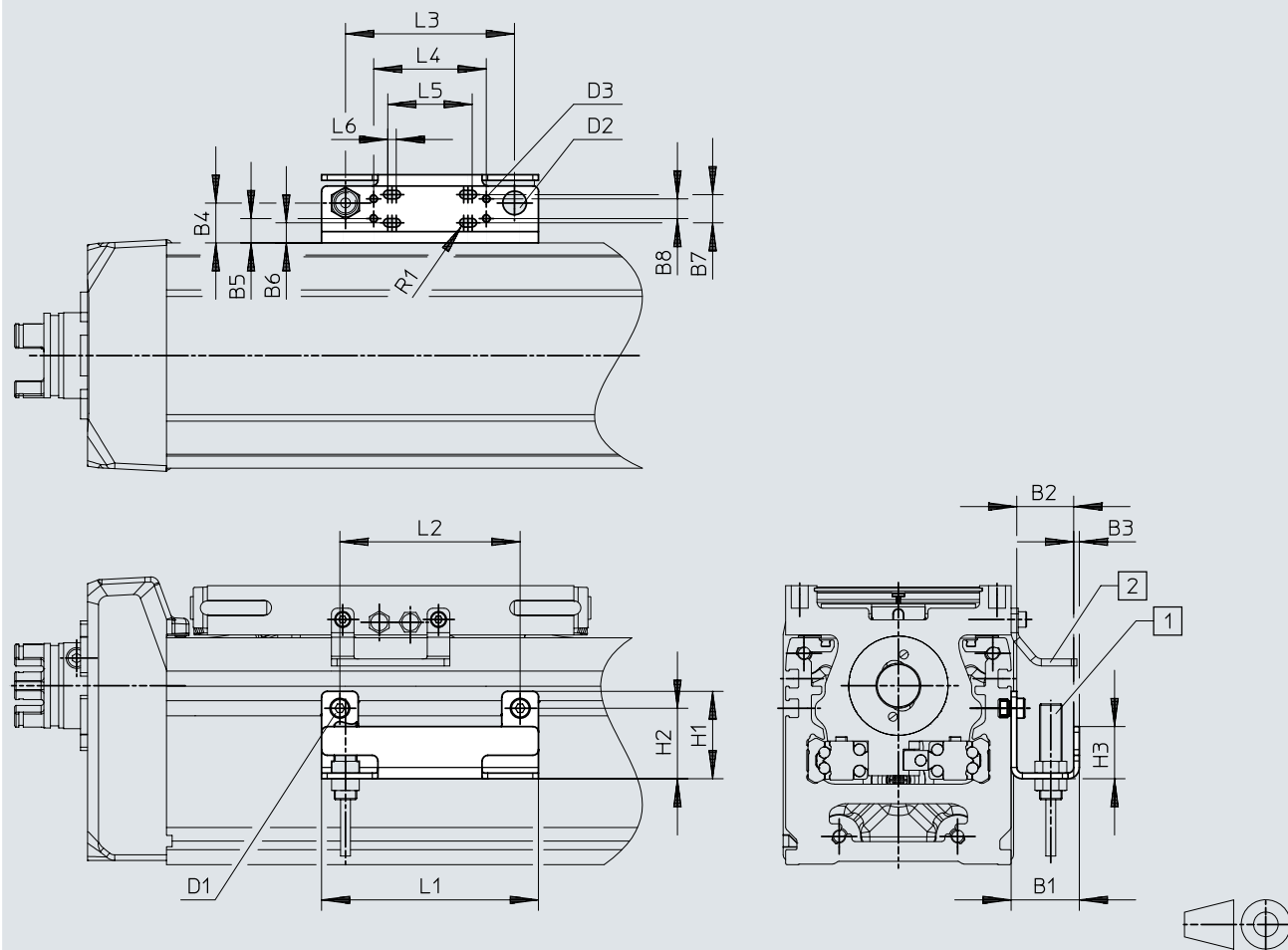
		B1	B2	D1	D2 ∅ H13	H1	H2	H3
		±0.3				±0.3		
EAPM-E24-60-SHE	ELGD-BS-60	23.4	15.5	M4x6	8.4	20	15	3
	ELGD-BS-80							

		L1	L2	L3	L4	L5	L6
		±0.2					
EAPM-E24-60-SHE	ELGD-BS-60	135	120	80	40	48	35
	ELGD-BS-80						

Datasheet

Dimensions – Sensor bracket EAPM-E24-60-SHO

Download CAD data → www.festo.com



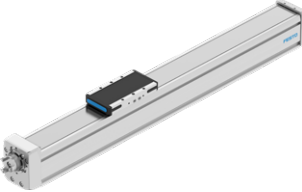
- [1] Inductive sensor (Omron)
- [2] Switch lug EAPM-E24-60-SLE

		B1	B2	B3	B4	B5	B6	B7
EAPM-E24-60-SHO	ELGD-BS-60	24.2	20.2	2	14.1	8.6	7.1	10
	ELGD-BS-80							

		B8	D1	D2 ∅	D3	H1	H2	H3
EAPM-E24-60-SHO	ELGD-BS-60	7	M3	8.4	M3	31	25	18.5
	ELGD-BS-80							

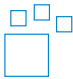
		L1	L2	L3	L4	L5	L6	R1
EAPM-E24-60-SHO	ELGD-TB-60	77	64	60	40	24	3	1.5
	ELGD-TB-80							

Datasheet

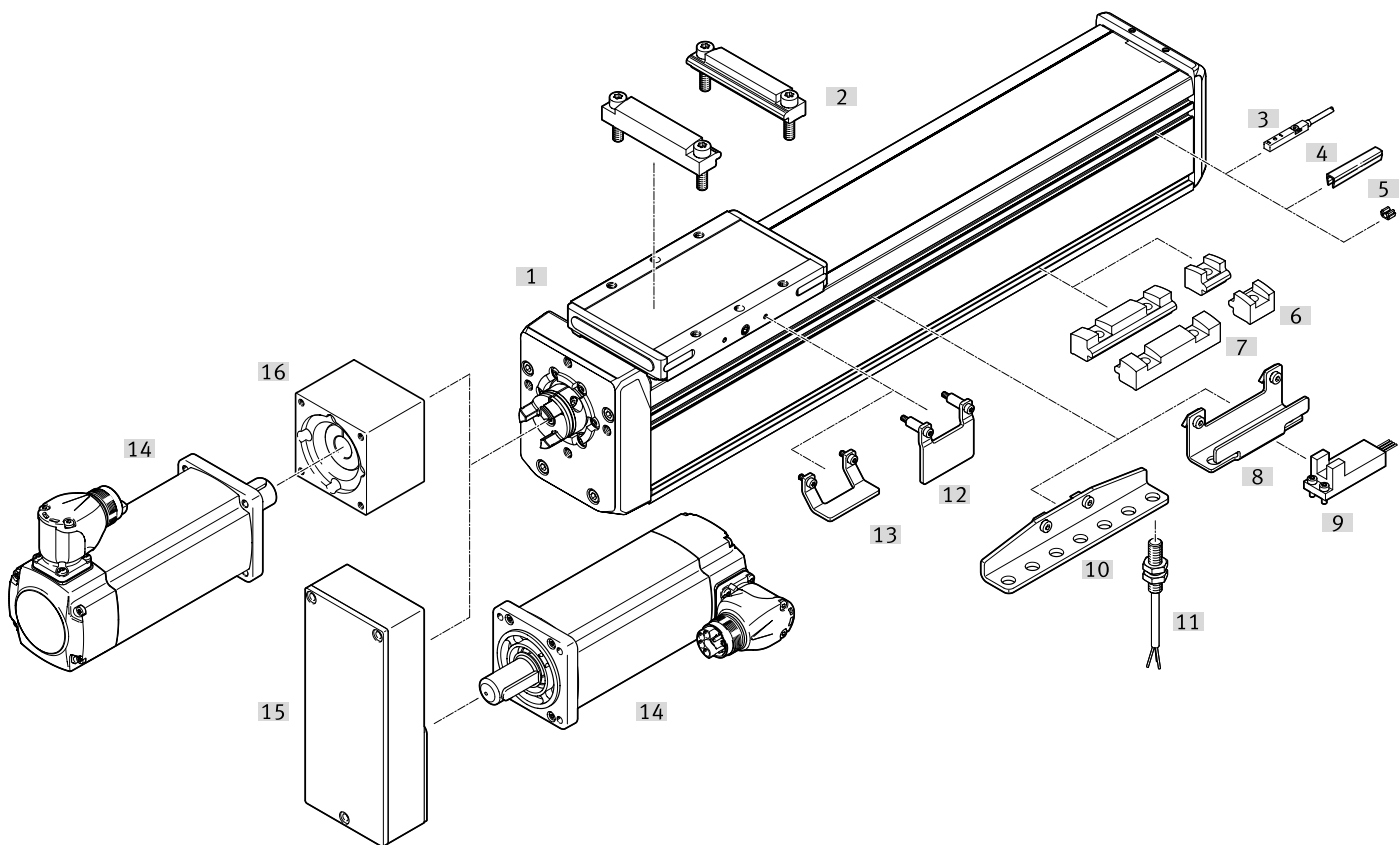
Ordering data	Size	Screw pitch [mm]	Stroke [mm]	Part no.	Type
	60	5	100	8192253	ELGD-BS-KF-60-100-0H-5P
			200	8192254	ELGD-BS-KF-60-200-0H-5P
			300	8192255	ELGD-BS-KF-60-300-0H-5P
			400	8192256	ELGD-BS-KF-60-400-0H-5P
			500	8192257	ELGD-BS-KF-60-500-0H-5P
			600	8192258	ELGD-BS-KF-60-600-0H-5P
			800	8192259	ELGD-BS-KF-60-800-0H-5P
		10	100	8192260	ELGD-BS-KF-60-100-0H-10P
			200	8192261	ELGD-BS-KF-60-200-0H-10P
			300	8192262	ELGD-BS-KF-60-300-0H-10P
			400	8192263	ELGD-BS-KF-60-400-0H-10P
			500	8192264	ELGD-BS-KF-60-500-0H-10P
			600	8192265	ELGD-BS-KF-60-600-0H-10P
			800	8192266	ELGD-BS-KF-60-800-0H-10P
	80	5	100	8192267	ELGD-BS-KF-80-100-0H-5P
			200	8192268	ELGD-BS-KF-80-200-0H-5P
			300	8192269	ELGD-BS-KF-80-300-0H-5P
			400	8192270	ELGD-BS-KF-80-400-0H-5P
			500	8192271	ELGD-BS-KF-80-500-0H-5P
			600	8192272	ELGD-BS-KF-80-600-0H-5P
			800	8192273	ELGD-BS-KF-80-800-0H-5P
			1000	8192274	ELGD-BS-KF-80-1000-0H-5P
		10	100	8192275	ELGD-BS-KF-80-100-0H-10P
			200	8192276	ELGD-BS-KF-80-200-0H-10P
			300	8192277	ELGD-BS-KF-80-300-0H-10P
			400	8192278	ELGD-BS-KF-80-400-0H-10P
500			8192279	ELGD-BS-KF-80-500-0H-10P	
600			8192280	ELGD-BS-KF-80-600-0H-10P	
800			8192281	ELGD-BS-KF-80-800-0H-10P	
1000			8192282	ELGD-BS-KF-80-1000-0H-10P	
20		100	8192283	ELGD-BS-KF-80-100-0H-20P	
		200	8192284	ELGD-BS-KF-80-200-0H-20P	
		300	8192285	ELGD-BS-KF-80-300-0H-20P	
		400	8192286	ELGD-BS-KF-80-400-0H-20P	
	500	8192287	ELGD-BS-KF-80-500-0H-20P		
	600	8192288	ELGD-BS-KF-80-600-0H-20P		
	800	8192289	ELGD-BS-KF-80-800-0H-20P		
	1000	8192290	ELGD-BS-KF-80-1000-0H-20P		

Ordering data – Modular product system

More information → [elgd-bs](#)

	Size	Stroke [mm]	Part no.	Type
	60	50 ... 1000	8176874	ELGD-BS-KF-60-...
	80	50 ... 2000	8176875	ELGD-BS-KF-80-...

Peripherals overview

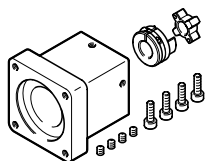


Peripherals overview

Accessories		
Type	Description	→ Page/Internet
[1] Ball screw axis ELGD-BS	Electric drive	elgd-bs
[2] Profile mounting EAHF-E24-...-D...	For axis/axis mounting with adapter plate	26
[3] Proximity switch, T-slot SIES-8M	Inductive proximity switch, for T-slot	27
[4] Slot cover ABP-S	For protection against contamination	28
[5] Clip SMBK	For mounting the proximity switch cable in the slot	28
[6] Profile mounting EAHF-E24-...-S	For mounting the axis on the side of the profile	26
[7] Profile mounting EAHF-E24-...	For mounting the axis on the side of the profile (standard mounting)	26
[8] Sensor bracket EAPM-E24-SHO	For mounting third-party sensors on the axis	27
[9] Sensor OMRON	Third-party sensor OMRON, EE-SX674 series	–
[10] Sensor bracket EAPM-E24-SHE	For mounting the inductive proximity switches SIEN-M8 (round design) on the axis	27
[11] Proximity switch, M8 SIEN-M8	Inductive proximity switch, round design	27
[12] Switch lug EAPM-E24-SLS	For sensing the slide position via inductive proximity switch SIES-8M or for optical sensors (Omron) with sensor bracket EAPM-E24-SHO	26
[13] Switch lug EAPM-E24-SLE	For sensing the slide position via inductive proximity switch SIEN-M8 (round design) and sensor bracket EAPM-E24-SHE	27
[14] Motor EMMT	Motors and kits specially matched with the axis Detailed information: www.festo.com/catalogue/eamm Engineering tool: www.festo.com/x/electric-motion-sizing	emmt
[15] Parallel kit EAMM	For parallel motor mounting	eamm-u
[16] Axial kit EAMM	For axial motor mounting	eamm-a

Accessories

Permitted axis/motor combinations for axial and parallel kits



Under the following links you will find all information about:

- Axis/motor combinations
- Permitted third-party motors
- Technical data
- Dimensions

For axial kits → Internet: [eamm-a](#)

For parallel kits → Internet: [eamm-u](#)

Profile mounting EAHF-E24-...-P-S						
	Description	Suitable for the production of Li-ion batteries	Material	Product weight	Part no.	Type
	For size 60, 80	F1a	Anodised wrought aluminium alloy	18 g	8197128	EAHF-E24-60-P-S

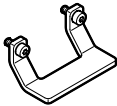
Profile mounting EAHF-E24-...-P (standard mounting)						
	Description	Suitable for the production of Li-ion batteries	Material	Product weight	Part no.	Type
	For size 60, 80	F1a	Anodised wrought aluminium alloy	71 g	8197132	EAHF-E24-60-P

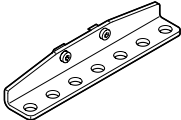
Profile mounting EAHF-E24-...-P-D...						
	Description	Suitable for the production of Li-ion batteries	Material	Product weight	Part no.	Type
	ELGD-60 on ELGD-60-L ¹⁾	F1a	Anodised wrought aluminium alloy	87 g	8197131	EAHF-E24-60-P-D5
	ELGD-60 on ELGD-80			119 g	8197129	EAHF-E24-60-P-D4
	ELGD-60 on ELGD-100-L ¹⁾			133 g	8197130	EAHF-E24-60-P-D6
	ELGD-80 on ELGD-100-L			133 g	8197130	EAHF-E24-60-P-D6

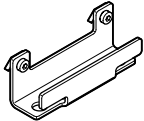
1) With these combinations, the axis is mounted off-centre on the slide (see dimension L13 on the dimensional drawing with long slide).

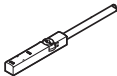
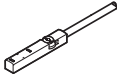
Switch lug EAPM-E24-...-SLS						
	Description	Suitable for the production of Li-ion batteries	Material	Product weight	Part no.	Type
	For size 60, 80	F1a	Steel	32 g	8197117	EAPM-E24-60-SLS



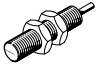

Accessories

Switch lug EAPM-E24-...-SLE						
	Description	Suitable for the production of Li-ion batteries	Material	Product weight	Part no.	Type
	For size 60, 80	F1a	Steel	20 g	8197116	EAPM-E24-60-SLE

Sensor bracket EAPM-E24-...-SHE						
	Description	Suitable for the production of Li-ion batteries	Material	Product weight	Part no.	Type
	For size 60, 80	F1a	Steel	103 g	8197123	EAPM-E24-60-SHE

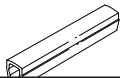
Sensor bracket EAPM-E24-...-SHO						
	Description	Suitable for the production of Li-ion batteries	Material	Product weight	Part no.	Type
	For size 60, 80	F1a	Steel	67 g	8197121	EAPM-E24-60-SHO

Proximity switch for T-slot, inductive							Datasheets → Internet: sien
	Type of mounting	Switching output	Electrical connection	Cable length [m]	Part no.	Type	
N/O							
	Inserted in the slot from above, flush with the cylinder profile	PNP	Cable, 3-core	7.5	551386	SIES-8M-PS-24V-K-7.5-OE	
			Plug M8x1, 3-pin	0.3	551387	SIES-8M-PS-24V-K-0.3-M8D	
		NPN	Cable, 3-core	7.5	551396	SIES-8M-NS-24V-K-7.5-OE	
			Plug M8x1, 3-pin	0.3	551397	SIES-8M-NS-24V-K-0.3-M8D	
N/C							
	Inserted in the slot from above, flush with the cylinder profile	PNP	Cable, 3-core	7.5	551391	SIES-8M-PO-24V-K-7.5-OE	
			Plug M8x1, 3-pin	0.3	551392	SIES-8M-PO-24V-K-0.3-M8D	
		NPN	Cable, 3-core	7.5	551401	SIES-8M-NO-24V-K-7.5-OE	
			Plug M8x1, 3-pin	0.3	551402	SIES-8M-NO-24V-K-0.3-M8D	


Proximity switch M8 (round design), inductive							Datasheets → Internet: sien
	Switching output	Electrical connection	Cable length [m]	Part no.	Type		
N/O							
	PNP	Cable, 3-core	2.5	150386	SIEN-M8B-PS-K-L		
			NPN	2.5	150384	SIEN-M8B-NS-K-L	
	PNP	Plug M8x1, 3-pin	–	150387	SIEN-M8B-PS-S-L		
			NPN	–	150385	SIEN-M8B-NS-S-L	
N/C							
	PNP	Cable, 3-core	2.5	150390	SIEN-M8B-PO-K-L		
			NPN	2.5	150388	SIEN-M8B-NO-K-L	
	PNP	Plug M8x1, 3-pin	–	150391	SIEN-M8B-PO-S-L		
			NPN	–	150389	SIEN-M8B-NO-S-L	

Accessories

Slot cover ABP-5-S1

	Description	Material	Pack size	Product weight	Part no.	Type
	For size 60, 80	ABS	2 every 0.5 m	13 g	563360	ABP-5-S1

Clip SMBK

	Description	Pack size	Product weight	Part no.	Type
	For size 60, 80	10	1g	534254	SMBK-8