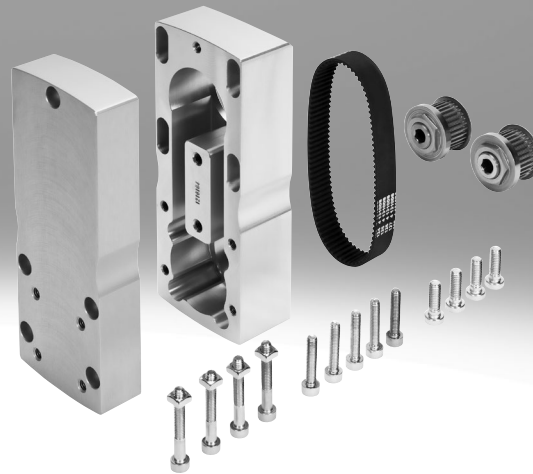


# Parallel kits EAMM-U

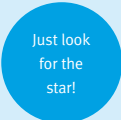


Festo Core Range  
Solves the majority of your automation tasks

Worldwide: Quickest delivery – wherever, whenever  
Expected high Festo quality  
Easy selection Easy and fast to select

With the Festo Core Range, we have selected the most important products and functions from our broad product catalogue.

The Core Range offers you the best value for your automation needs.



## Key features

### At a glance

The following kits are used for coupling motors and axes. The couplings transmit the drive energy of the motor to the axes via a belt. They can be connected to Festo motors or third-party motors.

The selection provides you with an overview of possible combinations. The planning tool "Electric Motion Sizing" helps you to find the right combination.

### Electric Motion Sizing

Configuring electromechanical drives



Create the optimum drive package quickly and reliably. Electric Motion Sizing calculates suitable combinations of electric axis, electric motor and servo drive using just a few application details. It provides you with all the relevant data including the bill of materials and documentation for the selected combination. This avoids design errors and results in significantly improved energy efficiency for the system.

A smooth connection to the Festo Automation Suite also makes commissioning easier for you.

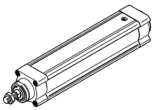
To find out more, go to [www.festo.com/ems](http://www.festo.com/ems)

### Quickly find the right axis/motor combination with third-party motors

Select the required axis and note the code in the "Motor interface" column

Look for the interface code in the table of interfaces for third-party motors (→ from page 56) and check if the required third-party motor is listed

#### Zulässige Achs-/Motor-Kombinationen mit Elektrozyliner ESBF



Schnittstellentabelle für Fremdmotoren  
→ ab Seite 67  
Technische Daten für Axialbausätze  
→ ab Seite 72

Motor/Getriebe <sup>1)</sup>	Schnittstelle	Axialbausatz	
Typ	Motor	Teile-Nr.	Typ
<b>ESBF-32</b>			
mit Servomotor			
EMME-AS-40-...	40P	1976465	EAMM-A-D32-40P
		2207372	EAMM-A-D32-40P-S1 <sup>2)</sup>
EMMS-AS-40-..., Fremdmotor	40A	543147	EAMM-A-D32-40A
		1322178	EAMM-A-D32-40A-S1 <sup>2)</sup>

Fremdmotoren und Fremdgetriebe		
Schnittstelle	Hersteller	Typ
<b>Fremdmotoren</b>		
50AA	SEW Eurodrive	CMP40; CMP40S/IM
	Bosch Rexroth	MKD 025; MSK030B; MSK030C; MSK03x
	Danaher Motion	AKM21 AC; AKM21 AN; AKM22 AC; AKM22 AN; AKM23 AC; AKM23 AN; AKM24 AC; AKM24 AN; AKM2x-AC/AN
	Beckhoff	AM3021; AM3022; AM3023; AM3024
	B+R Automation	8ISA2
Mitsubishi	AKM21; AKM21x-Ax; AKM22; AKM22x-Ax; AKM23; AKM23x-Ax; AKM24; AKM24x-Ax	
60AA	Fastech	EzM2-60S/M/L

#### Note

Depending on the combination of motor and drive, it may not be possible to reach the maximum feed force of the drive in certain circumstances. When using parallel kits, the no-load driving torque of the particular kit must be taken into consideration.

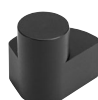
## Key features

Type	For axis	Can be mounted	Transmission ratio	Description	→ Page
EAMM-U-...-D	<ul style="list-style-type: none"> <li>• Electric cylinder ESBF</li> <li>• Mini slide EGSL</li> </ul>	In all directions	$i = 1$	<ul style="list-style-type: none"> <li>• Optionally with degree of protection IP65</li> </ul>	4
EAMM-U-...-S	<ul style="list-style-type: none"> <li>• Ball screw axis ELGA-BS</li> <li>• Ball screw axis EGC-BS</li> <li>• Ball screw axis EGC-HD-BS</li> </ul>	In all directions	$i = 1$	<ul style="list-style-type: none"> <li>• A counter bearing EAMG and a clamping sleeve EAMH-...-P with integrated trunnion are included in the scope of delivery of the parallel kit to support for the axis shaft.</li> </ul>	4
EAMM-U-...-V/T	<ul style="list-style-type: none"> <li>• Electric cylinder EPCC</li> <li>• Mini slide EGSC-BS</li> <li>• Ball screw axis ELGD-BS</li> <li>• Ball screw axis ELGD-BS-WD</li> <li>• Ball screw axis ELGC-BS</li> <li>• Ball screw axis ELGT-BS</li> </ul>	In all directions	$i = 1$	–	46

## Accessories for parallel kit EAMM-U-...-D/S

## Clamping component EADT

→ Page 41



For adjusting the toothed belt pretension with EAMM-U-110 and EAMM-U-145.

The motor is pushed away from the axis mechanism by turning the clamping component secured in a hole in the housing (the motor can be moved in a slot for this purpose). This enables high toothed belt pretension forces to be generated with low torques at the clamping component.

## Counter bearing EAMG

→ Page 42



A counter bearing EAMG reduces the load on the axis or motor bearings to improve the service life under high loads. For every counter bearing, an additional clamping sleeve EAMH-...-P is required.

## Clamping sleeve EAMH-...-P

→ Page 43



To retrofit the counter bearing, the clamping sleeve without trunnion included in the parallel kit as standard must be replaced by the clamping sleeve EAMH-...-P with integrated trunnion.

## Clamping sleeve EAMH-...

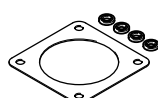
→ Page 44



Spring pins for adapting third-party motors with deviating shaft diameters to the parallel kits.

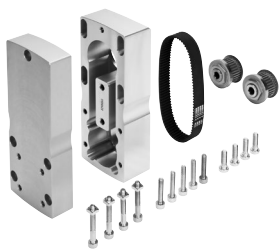
## Seal set EADS-F-...

→ Page 45



Spare part for sealed parallel kit EAMM-U-...-S1, between motor and kit

## Overview of interfaces



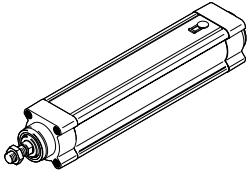
Axis mechanism interface	
D19	EGSL-35
D32	ESBF-32, EGSL-45
D40	ESBF-40, EGSL-55
D50	ESBF-50
D60	EGSL-75, ESBF-63
D80	ESBF-80
D100	ESBF-100
S38	ELGA-BS-70, EGC-70-BS, EGC-HD-125-BS
S48	ELGA-BS-80, EGC-80-BS, EGC-HD-160-BS
S62	ELGA-BS-120, EGC-120-BS, EGC-HD-220-BS
S95	ELGA-BS-150, EGC-185-BS

Motor interface	
38AA	Third-party motor
40A	Third-party motor
40P	Servo motor EMME-AS-40, EMMB-AS-40
40R	Third-party motor
40RA	Third-party motor
42A	Stepper motor EMMT-ST-42, EMMB-ST-42
57A	Stepper motor EMMT-ST-57, EMMB-ST-57
55A	Third-party motor
57AA	Third-party motor
57AC	Third-party motor
58AA	Third-party motor
60AA	Third-party motor
60P	Servo motor EMMT-AS-60, EMMB-AS-60, third-party motor
60PA	Third-party motor
60R	Third-party motor
60RA	Third-party motor
60RB	Third-party motor
70A	Third-party motor
70AA	Third-party motor
70AB	Third-party motor
80P	Servo motor EMMT-AS-80, EMMB-AS-80
80PB	Third-party motor
80R	Third-party motor
82AA	Third-party motor
84AA	Third-party motor
87A	Stepper motor EMMT-ST-87, EMMB-ST-87, third-party motor
88A	Third-party motor
100A	Servo motor EMMT-AS-100
150A	Servo motor EMMT-AS-150
126AA	Third-party motor
40G	Gear unit EMGA-40
60G	Gear unit EMGA-60-P-...-SAS/SST
60H	Gear unit EMGA-60-P-...-EAS, EMGC-60-P

80G	Gear unit EMGA-80
120G	Gear unit EMGA-120
50GA	Third-party gear unit
68GA	Third-party gear unit
70GA	Third-party gear unit
90GA	Third-party gear unit
120GA	Third-party gear unit
126AA	Third-party gear unit

## Product range overview

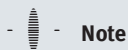
## Permissible axis/motor combinations with electric cylinder ESBF



- The kit can be mounted in all directions
- Optionally with degree of protection IP65
- Table of interfaces for third-party motors → from page 56

Motor/gear unit <sup>2)</sup> Type	Motor interface	Parallel kit	
		Part no.	Type
<b>ESBF-32</b>			
<b>With servo motor</b>			
<b>Third-party motor</b>	38AA	<b>8058924</b>	<b>EAMM-U-50-D32-38AA-78</b>
<b>EMME-AS-40-..., EMMB-AS-40-...</b>	40P	<b>8164734</b>	<b>EAMM-U-50-D32-40P-48<sup>4)</sup></b>
<b>EMME-AS-40-..., EMMB-AS-40-...</b>	40P	★ <b>2153283</b>	<b>EAMM-U-50-D32-40P-78</b>
		<b>2154009</b>	<b>EAMM-U-50-D32-40P-78-S1<sup>1)</sup></b>
<b>Third-party motor</b>	40A	<b>1201591</b>	<b>EAMM-U-50-D32-40A-78</b>
		<b>1202302</b>	<b>EAMM-U-50-D32-40A-78-S1<sup>1)</sup></b>
<b>Third-party motor</b>	40R	<b>1201662</b>	<b>EAMM-U-50-D32-40R-78</b>
<b>Third-party motor</b>	40RA	<b>8058925</b>	<b>EAMM-U-50-D32-40RA-78</b>
<b>Third-party motor</b>	55A	<b>1210126</b>	<b>EAMM-U-60-D32-55A-91</b>
		<b>1210450</b>	<b>EAMM-U-60-D32-55A-91-S1<sup>1)</sup></b>
<b>Third-party motor</b>	58AA	<b>8058930</b>	<b>EAMM-U-60-D32-58AA-91</b>
<b>EMMT-AS-60-..., EMMB-AS-60, third-party motor</b>	60P	<b>8125069</b>	<b>EAMM-U-60-D32-60P-91</b>
<b>Third-party motor</b>	60R	<b>1210434</b>	<b>EAMM-U-60-D32-60R-91</b>
		<b>1210455</b>	<b>EAMM-U-60-D32-60R-91-S1<sup>1)</sup></b>
<b>Third-party motor</b>	60RA	<b>8123497</b>	<b>EAMM-U-60-D32-60RA-91</b>
<b>Third-party motor</b>	60RB	<b>8058932</b>	<b>EAMM-U-60-D32-60RB-91</b>
<b>EMMT-AS-60-..., EMMB-AS-60</b>	60P	★ <b>2619586</b>	<b>EAMM-U-70-D32-60P-96</b>
		<b>2619688</b>	<b>EAMM-U-70-D32-60P-96-S1<sup>1)</sup></b>
<b>Third-party motor</b>	70A	<b>2755565</b>	<b>EAMM-U-70-D32-70A-96</b>
		<b>2781711</b>	<b>EAMM-U-70-D32-70A-96-S1<sup>1)</sup></b>
<b>Third-party motor</b>	70AA	<b>8123499</b>	<b>EAMM-U-70-D32-70AA-96</b>
<b>With stepper motor</b>			
<b>EMMT-ST-42, EMMB-ST-42-...</b>	42A	★ <b>1201607</b>	<b>EAMM-U-50-D32-42A-78</b>
		<b>1202312</b>	<b>EAMM-U-50-D32-42A-78-S1<sup>1)</sup></b>
<b>EMMT-ST-57, EMMB-ST-57-...</b>	57A	★ <b>1210419</b>	<b>EAMM-U-60-D32-57A-91</b>
		<b>1210453</b>	<b>EAMM-U-60-D32-57A-91-S1<sup>1)</sup></b>
<b>Third-party motor</b>	57AC	<b>8058929</b>	<b>EAMM-U-60-D32-57AC-91</b>
<b>Third-party motor</b>	60AA	<b>8123498</b>	<b>EAMM-U-60-D32-60AA-91</b>

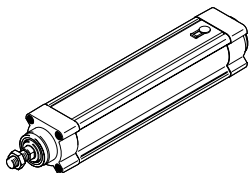
- 1) With degree of protection IP65
- 2) The input torque must not exceed the max. permissible transferable torque of the parallel kit.
- 3) Gear unit output shaft diameter: EMGA-60-P-...SAS/SST: 11 mm; EMGA-60-P-...EAS, EMGC-60-P: 14 mm
- 4) The counter bearing EAMG cannot be used in combination with this parallel kit.

**Note**

The seal for EAMM-U-...-S1 reduces the heat dissipation between the motor and the flange. Note the derating of the motor.

## Product range overview

### Permissible axis/motor combinations with electric cylinder ESBF



- The kit can be mounted in all directions
- Optionally with degree of protection IP65
- Table of interfaces for third-party motors → from page 56

Motor/gear unit <sup>2)</sup> Type	Motor interface	Parallel kit	
		Part no.	Type
<b>ESBF-32</b>			
<b>With gear unit</b>			
EMGA-40-P-... EMGC-40-P-...	40G	1577358	EAMM-U-60-D32-40G-91
		1577346	EAMM-U-60-D32-40G-91-S1 <sup>1)</sup>
EMGA-60-P-...-EAS, EMGC-60-P-... <sup>3)</sup> , third-party gear unit	60H	2778393	EAMM-U-70-D32-60H-96
		2781450	EAMM-U-70-D32-60H-96-S1 <sup>1)</sup>
EMGA-60-P-...-SAS/SST <sup>3)</sup>	60G	2748181	EAMM-U-70-D32-60G-96
		2778302	EAMM-U-70-D32-60G-96-S1 <sup>1)</sup>
Third-party gear unit	68GA	8058951	EAMM-U-70-D32-68GA-96
<b>ESBF-40</b>			
<b>With servo motor</b>			
Third-party motor	40R	8058934	EAMM-U-60-D40-40R-91
Third-party motor	55A	1210438	EAMM-U-60-D40-55A-91
		1210458	EAMM-U-60-D40-55A-91-S1 <sup>1)</sup>
Third-party motor	58AA	8058940	EAMM-U-60-D40-58AA-91
EMMT-AS-60-..., EMMB-AS-60	60P	★ 2617488	EAMM-U-70-D40-60P-96
		2546123	EAMM-U-70-D40-60P-96-S1 <sup>1)</sup>
Third-party motor	60PA	8058972	EAMM-U-86-D40-60PA-102
EMMT-AS-60-..., EMMB-AS-60	60P	8164735	EAMM-U-60-D40-60P-61 <sup>4)</sup>
Third-party motor	60R	1210446	EAMM-U-60-D40-60R-91
		1210466	EAMM-U-60-D40-60R-91-S1 <sup>1)</sup>
Third-party motor	60RA	8058952	EAMM-U-70-D40-60RA-96
Third-party motor	70A	2786204	EAMM-U-70-D40-70A-96
		2786316	EAMM-U-70-D40-70A-96-S1 <sup>1)</sup>
Third-party motor	70A	1212826	EAMM-U-86-D40-70A-102
		1212854	EAMM-U-86-D40-70A-102-S1 <sup>1)</sup>
Third-party motor	70AA, 70AB	8058973	EAMM-U-86-D40-70AA-102
EMMT-AS-80-..., EMMB-AS-80	80P	★ 2802441	EAMM-U-86-D40-80P-102
		2802656	EAMM-U-86-D40-80P-102-S1 <sup>1)</sup>
Third-party motor	80PB	8123501	EAMM-U-86-D40-80PB-102
Third-party motor	82AA	8058975	EAMM-U-86-D40-82AA-102
Third-party motor	84AA	8058976	EAMM-U-86-D40-84AA-102
Third-party motor	88A	1362229	EAMM-U-86-D40-88A-102
<b>With stepper motor</b>			
EMMT-ST-57, EMMB-ST-57-...	57A	★ 1210442	EAMM-U-60-D40-57A-91
		1210462	EAMM-U-60-D40-57A-91-S1 <sup>1)</sup>
Third-party motor	57AC	8058939	EAMM-U-60-D40-57AC-91
EMMT-ST-87, EMMB-ST-87-..., third-party motor	87A	★ 1215802	EAMM-U-86-D40-87A-102
		1215814	EAMM-U-86-D40-87A-102-S1 <sup>1)</sup>

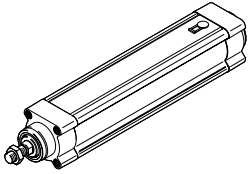
- 1) With degree of protection IP65
- 2) The input torque must not exceed the max. permissible transferable torque of the parallel kit.
- 3) Gear unit output shaft diameter: EMGA-60-P-...-SAS/-SST: 11 mm; EMGA-60-P-...-EAS, EMGC-60-P: 14 mm
- 4) The counter bearing EAMG cannot be used in combination with this parallel kit.

#### Note

The seal for EAMM-U-...-S1 reduces the heat dissipation between the motor and the flange. Note the derating of the motor.

## Product range overview

## Permissible axis/motor combinations with electric cylinder ESBF



- The kit can be mounted in all directions
- Optionally with degree of protection IP65
- Table of interfaces for third-party motors → from page 56

Motor/gear unit <sup>2)</sup> Type	Motor interface	Parallel kit	
		Part no.	Type
<b>ESBF-40</b>			
<b>With gear unit</b>			
EMGA-40-P-... EMGC-40-P-...	40G	1577165	EAMM-U-60-D40-40G-91
		1435968	EAMM-U-60-D40-40G-91-S1 <sup>1)</sup>
Third-party gear unit	50GA	8058935	EAMM-U-60-D40-50GA-91
EMGA-60-P-...-EAS, EMGC-60-P-... <sup>3)</sup> , third-party gear unit	60H	2786101	EAMM-U-70-D40-60H-96
		2786137	EAMM-U-70-D40-60H-96-S1 <sup>1)</sup>
EMGA-60-P-...-SAS/SST <sup>3)</sup>	60G	2785471	EAMM-U-70-D40-60G-96
		2785542	EAMM-U-70-D40-60G-96-S1 <sup>1)</sup>
EMGA-60-P-...-EAS, EMGC-60-P-... <sup>3)</sup> , third-party gear unit	60H	1586496	EAMM-U-86-D40-60H-102
		1586372	EAMM-U-86-D40-60H-102-S1 <sup>1)</sup>
EMGA-60-P-...-SAS/SST <sup>3)</sup>	60G	1586445	EAMM-U-86-D40-60G-102
		1586429	EAMM-U-86-D40-60G-102-S1 <sup>1)</sup>
Third-party gear unit	68GA	8058954	EAMM-U-70-D40-68GA-96
<b>ESBF-50</b>			
<b>With servo motor</b>			
Third-party motor	60P	8123171	EAMM-U-70-D50-60P-96
Third-party motor	60RA	8058963	EAMM-U-70-D50-60RA-96
Third-party motor	70A	2786899	EAMM-U-70-D50-70A-96
		2756078	EAMM-U-70-D50-70A-96-S1 <sup>1)</sup>
EMMT-AS-80-..., EMMB-AS-80	80P	★ 2803053	EAMM-U-86-D50-80P-102
		2803073	EAMM-U-86-D50-80P-102-S1 <sup>1)</sup>
Third-party motor	80PB	8107089	EAMM-U-86-D50-80PB-102
Third-party motor	84AA	8107241	EAMM-U-110-D50-84AA-120
EMMT-AS-100-...	100A	2799424	EAMM-U-110-D50-100A-120
		2799488	EAMM-U-110-D50-100A-120-S1 <sup>1)</sup>

1) With degree of protection IP65

2) The input torque must not exceed the max. permissible transferable torque of the parallel kit.

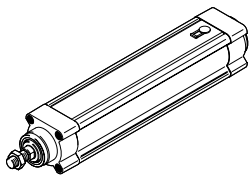
3) Gear unit output shaft diameter: EMGA-60-P-...-SAS/-SST: 11 mm; EMGA-60-P-...-EAS, EMGC-60-P: 14 mm

**Note**

The seal for EAMM-U-...-S1 reduces the heat dissipation between the motor and the flange. Note the derating of the motor.

## Product range overview

### Permissible axis/motor combinations with electric cylinder ESBF



- The kit can be mounted in all directions
- Optionally with degree of protection IP65
- Table of interfaces for third-party motors → from page 56

Motor/gear unit <sup>2)</sup>	Motor interface	Parallel kit	
		Part no.	Type
<b>ESBF-50</b>			
<b>With stepper motor</b>			
EMMT-ST-87, EMMB-ST-87-..., third-party motor	87A	2802708	EAMM-U-86-D50-87A-102
		2802742	EAMM-U-86-D50-87A-102-S1 <sup>1)</sup>
<b>With gear unit</b>			
EMGA-60-P-...-EAS, EMGC-60-P-... <sup>3)</sup> , third-party gear unit	60H	2803326	EAMM-U-86-D50-60H-102
		2803325	EAMM-U-86-D50-60H-102-S1 <sup>1)</sup>
EMGA-60-P-...-SAS/SST <sup>3)</sup>	60G	2803125	EAMM-U-86-D50-60G-102
		2803197	EAMM-U-86-D50-60G-102-S1 <sup>1)</sup>
EMGA-60-P-...-EAS, EMGC-60-P-... <sup>3)</sup> , third-party gear unit	60H	2798760	EAMM-U-110-D50-60H-120
		2799150	EAMM-U-110-D50-60H-120-S1 <sup>1)</sup>
EMGA-60-P-...-SAS/SST <sup>3)</sup>	60G	2797368	EAMM-U-110-D50-60G-120
		2798665	EAMM-U-110-D50-60G-120-S1 <sup>1)</sup>
Third-party gear unit	68GA	8058965	EAMM-U-70-D50-68GA-96
Third-party gear unit	70GA	8107044	EAMM-U-86-D50-70GA-102
EMGA-80-P-...	80G	2799196	EAMM-U-110-D50-80G-120
		2799281	EAMM-U-110-D50-80G-120-S1 <sup>1)</sup>
Third-party gear unit	120GA	8059040	EAMM-U-110-D50-120GA-120
<b>ESBF-63</b>			
<b>With servo motor</b>			
Third-party motor	55A	8058979	EAMM-U-86-D60-55A-102
Third-party motor	58AA	8058981	EAMM-U-86-D60-58AA-102
EMMT-AS-60-..., EMMB-AS-60	60P	8058982	EAMM-U-86-D60-60P-102
Third-party motor	60PA	8058983	EAMM-U-86-D60-60PA-102
Third-party motor	60RB	8058986	EAMM-U-86-D60-60RB-102
Third-party motor	70A	1212477	EAMM-U-86-D60-70A-102
		1212835	EAMM-U-86-D60-70A-102-S1 <sup>1)</sup>
Third-party motor	70AA, 70AB	8058988	EAMM-U-86-D60-70AA-102
EMMT-AS-80-..., EMMB-AS-80	80P	★ 2155875	EAMM-U-86-D60-80P-102
		2156527	EAMM-U-86-D60-80P-102-S1 <sup>1)</sup>

1) With degree of protection IP65

2) The input torque must not exceed the max. permissible transferable torque of the parallel kit.

3) Gear unit output shaft diameter: EMGA-60-P-...-SAS/-SST: 11 mm; EMGA-60-P-...-EAS, EMGC-60-P: 14 mm

#### Note

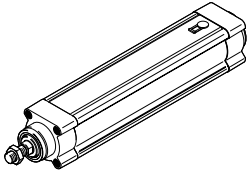
Clamping component EADT for adjusting the toothed belt pretension for EAMM-U-110 and EAMM-U-145 → page 41

The seal for EAMM-U-...-S1 reduces the heat dissipation between the motor and the flange. Note the derating of the motor.



## Product range overview

## Permissible axis/motor combinations with electric cylinder ESBF



- The kit can be mounted in all directions
- Optionally with degree of protection IP65
- Table of interfaces for third-party motors → from page 56

Motor/gear unit <sup>2)</sup>	Motor interface	Parallel kit	
		Part no.	Type
<b>ESBF-63</b>			
<b>With servo motor</b>			
Third-party motor	80PB	8107722	EAMM-U-86-D60-80PB-102
Third-party motor	82AA	8058992	EAMM-U-86-D60-82AA-102
Third-party motor	84AA	8058993	EAMM-U-86-D60-84AA-102
Third-party motor	84AA	8059043	EAMM-U-110-D60-84AA-120
Third-party motor	88A	1441042	EAMM-U-86-D60-88A-102
Third-party motor	88A	8059044	EAMM-U-110-D60-88A-120
Third-party motor	90R	1202981	EAMM-U-110-D60-90R-120
		1203181	EAMM-U-110-D60-90R-120-S1 <sup>1)</sup>
EMMT-AS-100-...	100A	1202436	EAMM-U-110-D60-100A-120 <sup>1)</sup>
		1203112	EAMM-U-110-D60-100A-120-S1 <sup>1)</sup>
<b>With stepper motor</b>			
Third-party motor	57AA	8058980	EAMM-U-86-D60-57AA-102
EMMT-ST-87, EMMB-ST-87-..., third-party motor	87A	★ 1215784	EAMM-U-86-D60-87A-102
		1215810	EAMM-U-86-D60-87A-102-S1 <sup>1)</sup>
<b>With gear unit</b>			
EMGA-60-P-...-SAS/SST <sup>3)</sup>	60G	1586347	EAMM-U-86-D60-60G-102
		1437163	EAMM-U-86-D60-60G-102-S1 <sup>1)</sup>
EMGA-60-P-...-EAS, EMGC-60-P-... <sup>3)</sup> , third-party gear unit	60H	1586276	EAMM-U-86-D60-60H-102
		1530837	EAMM-U-86-D60-60H-102-S1 <sup>1)</sup>
EMGA-60-P-...-SAS/SST <sup>3)</sup>	60G	1543240	EAMM-U-110-D60-60G-120
		1436183	EAMM-U-110-D60-60G-120-S1 <sup>1)</sup>
EMGA-60-P-...-EAS, EMGC-60-P-... <sup>3)</sup> , third-party gear unit	60H	1542264	EAMM-U-110-D60-60H-120
		1530621	EAMM-U-110-D60-60H-120-S1 <sup>1)</sup>
Third-party gear unit	70GA	8058990	EAMM-U-86-D60-70GA-102
EMGA-80-P-...	80G	1532949	EAMM-U-110-D60-80G-120
		1530875	EAMM-U-110-D60-80G-120-S1 <sup>1)</sup>
Third-party gear unit	90GA	8107723	EAMM-U-110-D60-90GA-120
Third-party gear unit	120GA	8059046	EAMM-U-110-D60-120GA-120

1) With degree of protection IP65

2) The input torque must not exceed the max. permissible transferable torque of the parallel kit.

3) Gear unit output shaft diameter: EMGA-60-P-...-SAS/-SST: 11 mm; EMGA-60-P-...-EAS, EMGC-60-P: 14 mm

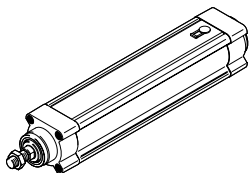
**Note**

Clamping component EADT for adjusting the toothed belt pretension for EAMM-U-110 and EAMM-U-145 → page 41

The seal for EAMM-U-...-S1 reduces the heat dissipation between the motor and the flange. Note the derating of the motor.

## Product range overview

### Permissible axis/motor combinations with electric cylinder ESBF




- The kit can be mounted in all directions
- Optionally with degree of protection IP65
- Table of interfaces for third-party motors → from page 56

Motor/gear unit <sup>2)</sup>	Motor interface	Parallel kit	
Type		Part no.	Type
<b>ESBF-80</b>			
<b>With servo motor</b>			
Third-party motor	84AA	8059048	EAMM-U-110-D80-84AA-120
EMMT-AS-100-...	100A	1465438	EAMM-U-110-D80-100A-120
		1433650	EAMM-U-110-D80-100A-120-S1 <sup>1)</sup>
Third-party motor	126AA	8059069	EAMM-U-145-D80-126AA-188
EMMT-AS-150-...	140A, 150A	8157285	EAMM-U-145-D80-150A-188
		8157286	EAMM-U-145-D80-150A-188-S1 <sup>1)</sup>
<b>With gear unit</b>			
EMGA-80-P-...	80G	1589614	EAMM-U-110-D80-80G-120
		1589706	EAMM-U-110-D80-80G-120-S1 <sup>1)</sup>
Third-party gear unit	90GA	8105897	EAMM-U-145-D80-90GA-188
Third-party gear unit	120GA	8059050	EAMM-U-110-D80-120GA-120
<b>ESBF-100</b>			
<b>With servo motor</b>			
EMMT-AS-150-...	140A, 150A	8157283	EAMM-U-145-D100-150A-188
		8157284	EAMM-U-145-D100-150A-188-S1 <sup>1)</sup>
<b>With gear unit</b>			
EMGA-120-P-...	120G	2803620	EAMM-U-145-D100-120G-188
		2803622	EAMM-U-145-D100-120G-188-S1 <sup>1)</sup>

1) With degree of protection IP65

2) The input torque must not exceed the max. permissible transferable torque of the parallel kit.

3) Gear unit output shaft diameter: EMGA-60-P-...-SAS/-SST: 11 mm; EMGA-60-P-...-EAS, EMGC-60-P: 14 mm

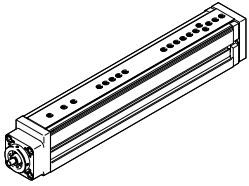
 **Note**

Clamping component EADT for adjusting the toothed belt pretension for EAMM-U-110 and EAMM-U-145 → page 41

The seal for EAMM-U-...-S1 reduces the heat dissipation between the motor and the flange. Note the derating of the motor.

## Product range overview

## Permissible axis/motor combinations with mini slide EGSL



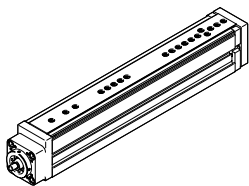
- The kit can be mounted in all directions
- Table of interfaces for third-party motors → from page 56

Motor/gear unit <sup>1)</sup> Type	Motor interface	Parallel kit	
		Part no.	Type
<b>EGSL-35</b>			
<b>With servo motor</b>			
Third-party motor	38AA	8107032	EAMM-U-50-D19-38AA-78
Third-party motor	40R	8107034	EAMM-U-50-D19-40R-78
<b>EGSL-45</b>			
<b>With servo motor</b>			
Third-party motor	38AA	8058924	EAMM-U-50-D32-38AA-78
Third-party motor	40A	1201591	EAMM-U-50-D32-40A-78
EMME-AS-40-..., EMMB-AS-40-...	40P	8164734	EAMM-U-50-D32-40P-48 <sup>3)</sup>
EMME-AS-40-..., EMMB-AS-40-...	40P	★ 2153283	EAMM-U-50-D32-40P-78
Third-party motor	40RA	8058925	EAMM-U-50-D32-40RA-78
Third-party motor	55A	1210126	EAMM-U-60-D32-55A-91
Third-party motor	58AA	8058930	EAMM-U-60-D32-58AA-91
EMMT-AS-60-..., EMMB-AS-60, third-party motor	60P	8125069	EAMM-U-60-D32-60P-91
EMMT-AS-60-..., EMMB-AS-60	60P	★ 2619586	EAMM-U-70-D32-60P-96
Third-party motor	60RA	8123497	EAMM-U-60-D32-60RA-91
Third-party motor	60RB	8058932	EAMM-U-60-D32-60RB-91
Third-party motor	70A	2755565	EAMM-U-70-D32-70A-96
Third-party motor	70AA	8123499	EAMM-U-70-D32-70AA-96
<b>With stepper motor</b>			
EMMT-ST-42, EMMB-ST-42-...	42A	★ 1201607	EAMM-U-50-D32-42A-78
EMMT-ST-57, EMMB-ST-57-...	57A	★ 1210419	EAMM-U-60-D32-57A-91
Third-party motor	57AC	8058929	EAMM-U-60-D32-57AC-91
Third-party motor	60AA	8123498	EAMM-U-60-D32-60AA-91
<b>With gear unit</b>			
EMGA-40-P-...	40G	1577358	EAMM-U-60-D32-40G-91
EMGC-40-P-...			
EMGA-60-P-...-SAS/SST <sup>2)</sup>	60G	2748181	EAMM-U-70-D32-60G-96
EMGA-60-P-...-EAS, EMGC-60-P-... <sup>2)</sup> , third-party gear unit	60H	2778393	EAMM-U-70-D32-60H-96
Third-party gear unit	68GA	8058951	EAMM-U-70-D32-68GA-96

- 1) The input torque must not exceed the max. permissible transferable torque of the parallel kit.
- 2) Gear unit output shaft diameter: EMGA-60-P-...-SAS/SST: 11 mm; EMGA-60-P-...-EAS, EMGC-60-P: 14 mm
- 3) The counter bearing EAMG cannot be used in combination with this parallel kit.

## Product range overview

### Permissible axis/motor combinations with mini slide EGSL



- The kit can be mounted in all directions
- Table of interfaces for third-party motors → from page 56

Motor/gear unit <sup>1)</sup> Type	Motor interface	Parallel kit	
		Part no.	Type
<b>EGSL-55</b>			
<b>With servo motor</b>			
Third-party motor	55A	1210438	EAMM-U-60-D40-55A-91
EMMT-AS-60-..., EMMB-AS-60	60P	★ 2617488	EAMM-U-70-D40-60P-96
Third-party motor	70A	2786204	EAMM-U-70-D40-70A-96
Third-party motor	70A	1212826	EAMM-U-86-D40-70A-102
EMMT-AS-80-..., EMMB-AS-80	80P	2802441	EAMM-U-86-D40-80P-102
Third-party motor	40R	8058934	EAMM-U-60-D40-40R-91
Third-party motor	58AA	8058940	EAMM-U-60-D40-58AA-91
EMMT-AS-60-..., EMMB-AS-60	60P	8164735	EAMM-U-60-D40-60P-61 <sup>3)</sup>
Third-party motor	60R	1210446	EAMM-U-60-D40-60R-91
Third-party motor	60RA	8058952	EAMM-U-70-D40-60RA-96
Third-party motor	60PA	8058972	EAMM-U-86-D40-60PA-102
Third-party motor	70AA, 70AB	8058973	EAMM-U-86-D40-70AA-102
Third-party motor	80PB	8123501	EAMM-U-86-D40-80PB-102
Third-party motor	82AA	8058975	EAMM-U-86-D40-82AA-102
Third-party motor	84AA	8058976	EAMM-U-86-D40-84AA-102
Third-party motor	88A	1362229	EAMM-U-86-D40-88A-102
<b>With stepper motor</b>			
EMMT-ST-57, EMMB-ST-57-...	57A	★ 1210442	EAMM-U-60-D40-57A-91
EMMT-ST-87, EMMB-ST-87-..., third-party motor	87A	★ 1215802	EAMM-U-86-D40-87A-102
Third-party motor	57AC	8058939	EAMM-U-60-D40-57AC-91
<b>With gear unit</b>			
EMGA-40-P-...	40G	1577165	EAMM-U-60-D40-40G-91
EMGC-40-P-...			
EMGA-60-P-...-SAS/SST <sup>2)</sup>	60G	2785471	EAMM-U-70-D40-60G-96
EMGA-60-P-...-EAS,	60H	2786101	EAMM-U-70-D40-60H-96
EMGC-60-P-... <sup>2)</sup> , third-party gear unit			
EMGA-60-P-...-SAS/SST <sup>2)</sup>	60G	1586445	EAMM-U-86-D40-60G-102
EMGA-60-P-...-EAS,	60H	1586496	EAMM-U-86-D40-60H-102
EMGC-60-P-... <sup>2)</sup> , third-party gear unit			
Third-party gear unit	50GA	8058935	EAMM-U-60-D40-50GA-91
Third-party gear unit	68GA	8058954	EAMM-U-70-D40-68GA-96

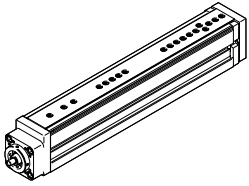
1) The input torque must not exceed the max. permissible transferable torque of the parallel kit.

2) Gear unit output shaft diameter: EMGA-60-P-...-SAS/SST: 11 mm; EMGA-60-P-...-EAS, EMGC-60-P: 14 mm

3) The counter bearing EAMG cannot be used in combination with this parallel kit.

## Product range overview

## Permissible axis/motor combinations with mini slide EGSL

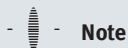


- The kit can be mounted in all directions
- Table of interfaces for third-party motors → from page 56

Motor/gear unit <sup>1)</sup> Type	Motor interface	Parallel kit	
		Part no.	Type
<b>EGSL-75</b>			
<b>With servo motor</b>			
<b>Third-party motor</b>	55A	<b>8058979</b>	<b>EAMM-U-86-D60-55A-102</b>
<b>EMMT-AS-60-..., EMMB-AS-60</b>	60P	<b>8058982</b>	<b>EAMM-U-86-D60-60P-102</b>
<b>Third-party motor</b>	70A	<b>1212477</b>	<b>EAMM-U-86-D60-70A-102</b>
<b>EMMT-AS-80-..., EMMB-AS-80</b>	80P	★ <b>2155875</b>	<b>EAMM-U-86-D60-80P-102</b>
<b>EMMT-AS-100-...</b>	100A	<b>1202436</b>	<b>EAMM-U-110-D60-100A-120</b>
<b>Third-party motor</b>	58AA	<b>8058981</b>	<b>EAMM-U-86-D60-58AA-102</b>
<b>Third-party motor</b>	60PA	<b>8058983</b>	<b>EAMM-U-86-D60-60PA-102</b>
<b>Third-party motor</b>	60RB	<b>8058986</b>	<b>EAMM-U-86-D60-60RB-102</b>
<b>Third-party motor</b>	70AA, 70AB	<b>8058988</b>	<b>EAMM-U-86-D60-70AA-102</b>
<b>Third-party motor</b>	80PB	<b>8107722</b>	<b>EAMM-U-86-D60-80PB-102</b>
<b>Third-party motor</b>	82AA	<b>8058992</b>	<b>EAMM-U-86-D60-82AA-102</b>
<b>Third-party motor</b>	84AA	<b>8058993</b>	<b>EAMM-U-86-D60-84AA-102</b>
<b>Third-party motor</b>	88A	<b>1441042</b>	<b>EAMM-U-86-D60-88A-102</b>
<b>Third-party motor</b>	84AA	<b>8059043</b>	<b>EAMM-U-110-D60-84AA-120</b>
<b>Third-party motor</b>	88A	<b>8059044</b>	<b>EAMM-U-110-D60-88A-120</b>
<b>With stepper motor</b>			
<b>Third-party motor</b>	57AA	<b>8058980</b>	<b>EAMM-U-86-D60-57AA-102</b>
<b>EMMT-ST-87, EMMB-ST-87-..., third-party motor</b>	87A	★ <b>1215784</b>	<b>EAMM-U-86-D60-87A-102</b>
<b>With gear unit</b>			
<b>EMGA-60-P-...-SAS/SST<sup>2)</sup></b>	60G	<b>1536988</b>	<b>EAMM-U-86-D60-60G-102</b>
<b>EMGA-60-P-...-EAS, EMGC-60-P-...<sup>2)</sup>, third-party gear unit</b>	60H	<b>1536988</b>	<b>EAMM-U-86-D60-60H-102</b>
<b>EMGA-60-P-...-SAS/SST<sup>2)</sup></b>	60G	<b>1543240</b>	<b>EAMM-U-110-D60-60G-120</b>
<b>EMGA-60-P-...-EAS, EMGC-60-P-...<sup>2)</sup>, third-party gear unit</b>	60H	<b>1542264</b>	<b>EAMM-U-110-D60-60H-120</b>
<b>EMGA-80-P-...</b>	80G	<b>1532949</b>	<b>EAMM-U-110-D60-80G-120</b>
<b>Third-party gear unit</b>	70GA	<b>8058990</b>	<b>EAMM-U-86-D60-70GA-102</b>
<b>Third-party gear unit</b>	90GA	<b>8107723</b>	<b>EAMM-U-110-D60-90GA-120</b>
<b>Third-party gear unit</b>	120GA	<b>8059046</b>	<b>EAMM-U-110-D60-120GA-120</b>

1) The input torque must not exceed the max. permissible transferable torque of the parallel kit.

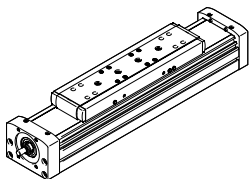
2) Gear unit output shaft diameter: EMGA-60-P-...-SAS/SST: 11 mm; EMGA-60-P-...-EAS, EMGC-60-P: 14 mm

**Note**

Clamping component EADT for adjusting the toothed belt pretension for EAMM-U-110 and EAMM-U-145 → page 41

## Product range overview

### Permitted axis/motor combinations with ball screw axis ELGA-BS



- The kit can be mounted in all directions
- A counter bearing EAMG and a clamping sleeve EAMH-...-P with integrated trunnion are included in the scope of delivery for the parallel kit to support the axis shaft.
- Table of interfaces for third-party motors → from page 56

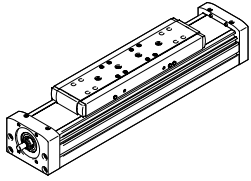
Motor/gear unit <sup>1)</sup>	Motor interface	Parallel kit	
Type		Part no.	Type
<b>ELGA-BS-...-70</b>			
<b>With servo motor</b>			
Third-party motor	38AA	8058926	EAMM-U-50-S38-38AA-78
Third-party motor	40A	1217708	EAMM-U-50-S38-40A-78
EMME-AS-40-..., EMMB-AS-40-...	40P	★ 2155239	EAMM-U-50-S38-40P-78
Third-party motor	40R	8058943	EAMM-U-60-S38-40R-91
Third-party motor	55A	1218538	EAMM-U-60-S38-55A-91
Third-party motor	58AA	8058947	EAMM-U-60-S38-58AA-91
Third-party motor	60P	8125092	EAMM-U-60-S38-60P-91
Third-party motor	60RA	8058948	EAMM-U-60-S38-60RA-91
<b>With stepper motor</b>			
EMMT-ST-42, EMMB-ST-42-...	42A	★ 1217945	EAMM-U-50-S38-42A-78
EMMT-ST-57, EMMB-ST-57-...	57A	★ 1218568	EAMM-U-60-S38-57A-91
Third-party motor	57AC	8058946	EAMM-U-60-S38-57AC-91
<b>With gear unit</b>			
EMGA-40-P-...	40G	2283732	EAMM-U-60-S38-40G-91
EMGC-40-P-...	40G	2283732	EAMM-U-60-S38-40G-91
Third-party gear unit	50GA	8107724	EAMM-U-60-S38-50GA-91
<b>ELGA-BS-...-80</b>			
<b>With servo motor</b>			
Third-party motor	40R	8058949	EAMM-U-60-S48-40R-91
Third-party motor	55A	1219370	EAMM-U-60-S48-55A-91
Third-party motor	58AA	8058950	EAMM-U-60-S48-58AA-91
Third-party motor	58AA	8058995	EAMM-U-86-S48-58AA-102
Third-party motor	58AA	8059008	EAMM-U-86-S48-58AA-177
EMMT-AS-60-..., EMMB-AS-60	60P	★ 2629253	EAMM-U-70-S48-60P-96
EMMT-AS-60-..., EMMB-AS-60	60P	8058996	EAMM-U-86-S48-60P-102
EMMT-AS-60-..., EMMB-AS-60	60P	8059011	EAMM-U-86-S48-60P-177
Third-party motor	60PA	8059012	EAMM-U-86-S48-60PA-177
Third-party motor	60R	8105843	EAMM-U-70-S48-60R-96
Third-party motor	60RA	8058969	EAMM-U-70-S48-60RA-96
Third-party motor	60RB	8058997	EAMM-U-86-S48-60RB-102
Third-party motor	60RB	8059014	EAMM-U-86-S48-60RB-177
Third-party motor	70A	2787320	EAMM-U-70-S48-70A-96
Third-party motor	70A	1217689	EAMM-U-86-S48-70A-102
Third-party motor	70A	8059016	EAMM-U-86-S48-70A-177
Third-party motor	70AB	8058970	EAMM-U-70-S48-70AB-96
Third-party motor	70AA, 70AB	8058999	EAMM-U-86-S48-70AA-102
Third-party motor	70AA, 70AB	8059017	EAMM-U-86-S48-70AA-177
Third-party motor	82AA	8059002	EAMM-U-86-S48-82AA-102
Third-party motor	82AA	8059021	EAMM-U-86-S48-82AA-177
Third-party motor	84AA	8059003	EAMM-U-86-S48-84AA-102
Third-party motor	84AA	8059022	EAMM-U-86-S48-84AA-177

1) The input torque must not exceed the max. permissible transferable torque of the parallel kit.

2) Gear unit output shaft diameter: EMGA-60-P-...-SAS/-SST: 11 mm; EMGA-60-P-...-EAS, EMGC-60-P: 14 mm

## Product range overview

## Permitted axis/motor combinations with ball screw axis ELGA-BS



- The kit can be mounted in all directions
- A counter bearing EAMG and a clamping sleeve EAMH-...-P with integrated trunnion are included in the scope of delivery for the parallel kit to support the axis shaft.
- Table of interfaces for third-party motors → from page 56

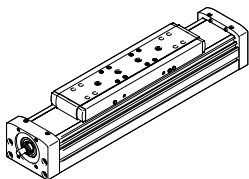
Motor/gear unit <sup>1)</sup> Type	Motor interface	Parallel kit	
		Part no.	Type
<b>ELGA-BS-...-80</b>			
<b>With stepper motor</b>			
EMMT-ST-57, EMMB-ST-57-...	57A	1219379	EAMM-U-60-S48-57A-91
Third-party motor	60AA	8105898	EAMM-U-60-S48-60AA-91
EMMT-ST-87, EMMB-ST-87-..., third-party motor	87A	8059004	EAMM-U-86-S48-87A-102
EMMT-ST-87, EMMB-ST-87-..., third-party motor	87A	1217604	EAMM-U-86-S48-87A-177
<b>With gear unit</b>			
EMGA-40-P-...	40G	2283760	EAMM-U-60-S48-40G-91
EMGC-40-P-...	40G	2283760	EAMM-U-60-S48-40G-91
Third-party gear unit	50GA	8105900	EAMM-U-60-S48-50GA-91
EMGA-60-P-...-SAS/SST <sup>2)</sup>	60G	2283760	EAMM-U-70-S48-60G-96
EMGA-60-P-...-SAS/SST <sup>2)</sup>	60G	1587251	EAMM-U-86-S48-60G-102
Third-party gear unit	60G	8059009	EAMM-U-86-S48-60G-177
EMGA-60-P-...-EAS, EMGC-60-P-... <sup>2)</sup> , third-party gear unit	60H	2801715	EAMM-U-70-S48-60H-96
EMGA-60-P-...-EAS, EMGC-60-P-... <sup>2)</sup> , third-party gear unit	60H	1587338	EAMM-U-86-S48-60H-102
Third-party gear unit	70GA	8059000	EAMM-U-86-S48-70GA-102
Third-party gear unit	70GA	8059019	EAMM-U-86-S48-70GA-177
<b>ELGA-BS-...-120</b>			
<b>With servo motor</b>			
Third-party motor	55A	8059033	EAMM-U-86-S62-55A-177
Third-party motor	60PA	8059026	EAMM-U-86-S62-60PA-102
Third-party motor	60PA	8059034	EAMM-U-86-S62-60PA-177
Third-party motor	70A	8059027	EAMM-U-86-S62-70A-102
Third-party motor	70A	1217543	EAMM-U-86-S62-70A-177
Third-party motor	70AA, 70AB	8059028	EAMM-U-86-S62-70AA-102
Third-party motor	70AA, 70AB	8059036	EAMM-U-86-S62-70AA-177
EMMT-AS-80-..., EMMB-AS-80	80P	★ 2157004	EAMM-U-86-S62-80P-177
Third-party motor	80PB	8105905	EAMM-U-86-S62-80PB-177
Third-party motor	82AA	8059031	EAMM-U-86-S62-82AA-102
Third-party motor	82AA	8059038	EAMM-U-86-S62-82AA-177
Third-party motor	84AA	8059051	EAMM-U-110-S62-84AA-120
Third-party motor	84AA	8059057	EAMM-U-110-S62-84AA-207
Third-party motor	88A	8059052	EAMM-U-110-S62-88A-120
Third-party motor	88A	8059058	EAMM-U-110-S62-88A-207
EMMT-AS-100-...	100A	★ 1217381	EAMM-U-110-S62-100A-207
Third-party motor	126AA	8059073	EAMM-U-145-S62-126AA-288
EMMT-AS-150-...,	140A, 150A	8157287	EAMM-U-145-S62-150A-288

1) The input torque must not exceed the max. permissible transferable torque of the parallel kit.

2) Gear unit output shaft diameter: EMGA-60-P-...-SAS/SST: 11 mm; EMGA-60-P-...-EAS, EMGC-60-P: 14 mm

## Product range overview

### Permitted axis/motor combinations with ball screw axis ELGA-BS




- The kit can be mounted in all directions
- A counter bearing EAMG and a clamping sleeve EAMH-...-P with integrated trunnion are included in the scope of delivery for the parallel kit to support the axis shaft.
- Table of interfaces for third-party motors → from page 56

Motor/gear unit <sup>1)</sup> Type	Motor interface	Parallel kit	
		Part no.	Type
<b>ELGA-BS-...-120</b>			
<b>With stepper motor</b>			
EMMT-ST-87, EMMB-ST-87-..., third-party motor	87A	8059032	EAMM-U-86-S62-87A-102
EMMT-ST-87, EMMB-ST-87-..., third-party motor	87A	★ 1217373	EAMM-U-86-S62-87A-177
<b>With gear unit</b>			
EMGA-60-P-...-SAS/SST <sup>2)</sup>	60G	1587411	EAMM-U-86-S62-60G-177
EMGA-60-P-...-EAS, EMGC-60-P-... <sup>2)</sup> , third-party gear unit	60H	1587453	EAMM-U-86-S62-60H-177
Third-party gear unit	70GA	8105902	EAMM-U-86-S62-70GA-177
<b>ELGA-BS-...-150</b>			
<b>With servo motor</b>			
Third-party motor	84AA	8059063	EAMM-U-110-S95-84AA-207
EMMT-AS-100-...	100A	1220656	EAMM-U-110-S95-100A-207
EMMT-AS-150-...	140A, 150A	1220582	EAMM-U-145-S95-140A-288
<b>With gear unit</b>			
EMGA-80-P-...	80G	1589544	EAMM-U-110-S95-80G-207
Third-party gear unit	90GA	8105907	EAMM-U-110-S95-90GA-207

1) The input torque must not exceed the max. permissible transferable torque of the parallel kit.

2) Gear unit output shaft diameter: EMGA-60-P-...-SAS/-SST: 11 mm; EMGA-60-P-...-EAS, EMGC-60-P: 14 mm

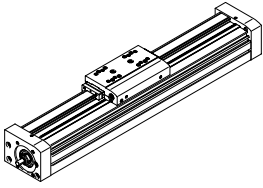
 **Note**

Clamping component EADT for adjusting the toothed belt pretension for EAMM-U-110 and EAMM-U-145 → page 41



## Product range overview

## Permitted axis/motor combinations with ball screw axis EGC-BS



- The kit can be mounted in all directions
- A counter bearing EAMG and a clamping sleeve EAMH-...-P with integrated trunnion are included in the scope of delivery for the parallel kit to support the axis shaft.
- Table of interfaces for third-party motors → from page 56

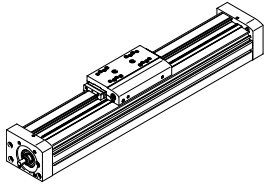
Motor/gear unit <sup>1)</sup>	Motor interface	Parallel kit	
		Part no.	Type
<b>EGC-70-...-BS</b>			
<b>With servo motor</b>			
Third-party motor	38AA	8058926	EAMM-U-50-S38-38AA-78
Third-party motor	40A	1217708	EAMM-U-50-S38-40A-78
EMME-AS-40-..., EMMB-AS-40-...	40P	★ 2155239	EAMM-U-50-S38-40P-78
Third-party motor	40R	8058943	EAMM-U-60-S38-40R-91
Third-party motor	55A	1218538	EAMM-U-60-S38-55A-91
Third-party motor	58AA	8058947	EAMM-U-60-S38-58AA-91
Third-party motor	60P	8125092	EAMM-U-60-S38-60P-91
Third-party motor	60RA	8058948	EAMM-U-60-S38-60RA-91
<b>With stepper motor</b>			
EMMT-ST-42, EMMB-ST-42-...	42A	★ 1217945	EAMM-U-50-S38-42A-78
EMMT-ST-57, EMMB-ST-57-...	57A	★ 1218568	EAMM-U-60-S38-57A-91
Third-party motor	57AC	8058946	EAMM-U-60-S38-57AC-91
<b>With gear unit</b>			
EMGA-40-P-...	40G	2283732	EAMM-U-60-S38-40G-91
EMGC-40-P-...	40G	2283732	EAMM-U-60-S38-40G-91
Third-party gear unit	50GA	8107724	EAMM-U-60-S38-50GA-91
<b>EGC-80-...-BS</b>			
<b>With servo motor</b>			
Third-party motor	40R	8058949	EAMM-U-60-S48-40R-91
Third-party motor	55A	1219370	EAMM-U-60-S48-55A-91
Third-party motor	58AA	8058950	EAMM-U-60-S48-58AA-91
Third-party motor	58AA	8058995	EAMM-U-86-S48-58AA-102
Third-party motor	58AA	8059008	EAMM-U-86-S48-58AA-177
EMMT-AS-60-..., EMMB-AS-60	60P	★ 2629253	EAMM-U-70-S48-60P-96
EMMT-AS-60-..., EMMB-AS-60	60P	8058996	EAMM-U-86-S48-60P-102
EMMT-AS-60-..., EMMB-AS-60	60P	8059011	EAMM-U-86-S48-60P-177
Third-party motor	60PA	8059012	EAMM-U-86-S48-60PA-177
Third-party motor	60R	8105843	EAMM-U-70-S48-60R-96
Third-party motor	60RA	8058969	EAMM-U-70-S48-60RA-96
Third-party motor	60RB	8058997	EAMM-U-86-S48-60RB-102
Third-party motor	60RB	8059014	EAMM-U-86-S48-60RB-177
Third-party motor	70A	2787320	EAMM-U-70-S48-70A-96
Third-party motor	70A	1217689	EAMM-U-86-S48-70A-102
Third-party motor	70A	8059016	EAMM-U-86-S48-70A-177
Third-party motor	70AB	8058970	EAMM-U-70-S48-70AB-96
Third-party motor	70AA, 70AB	8058999	EAMM-U-86-S48-70AA-102
Third-party motor	70AA, 70AB	8059017	EAMM-U-86-S48-70AA-177
Third-party motor	82AA	8059002	EAMM-U-86-S48-82AA-102
Third-party motor	82AA	8059021	EAMM-U-86-S48-82AA-177
Third-party motor	84AA	8059003	EAMM-U-86-S48-84AA-102
Third-party motor	84AA	8059022	EAMM-U-86-S48-84AA-177

1) The input torque must not exceed the max. permissible transferable torque of the parallel kit.

2) Gear unit output shaft diameter: EMGA-60-P-...SAS/-SST: 11 mm; EMGA-60-P-...EAS, EMGC-60-P: 14 mm

## Product range overview

### Permitted axis/motor combinations with ball screw axis EGC-BS



- The kit can be mounted in all directions
- A counter bearing EAMG and a clamping sleeve EAMH-...-P with integrated trunnion are included in the scope of delivery for the parallel kit to support the axis shaft.
- Table of interfaces for third-party motors → from page 56

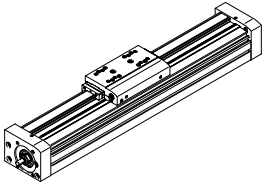
Motor/gear unit <sup>1)</sup>	Motor interface	Parallel kit	
		Part no.	Type
<b>EGC-80-...-BS</b>			
<b>With stepper motor</b>			
EMMT-ST-57, EMMB-ST-57-...	57A	1219379	EAMM-U-60-S48-57A-91
Third-party motor	60AA	8105898	EAMM-U-60-S48-60AA-91
EMMT-ST-87, EMMB-ST-87-..., third-party motor	87A	8059004	EAMM-U-86-S48-87A-102
EMMT-ST-87, EMMB-ST-87-..., third-party motor	87A	1217604	EAMM-U-86-S48-87A-177
<b>With gear unit</b>			
EMGA-40-P-...	40G	2283760	EAMM-U-60-S48-40G-91
EMGC-40-P-...	40G	2283760	EAMM-U-60-S48-40G-91
Third-party gear unit	50GA	8105900	EAMM-U-60-S48-50GA-91
EMGA-60-P-...-SAS/SST <sup>2)</sup>	60G	2283760	EAMM-U-70-S48-60G-96
EMGA-60-P-...-SAS/SST <sup>2)</sup>	60G	1587251	EAMM-U-86-S48-60G-102
EMGA-60-P-...-SAS/SST <sup>2)</sup>	60G	8059009	EAMM-U-86-S48-60G-177
EMGA-60-P-...-EAS, EMGC-60-P-... <sup>2)</sup> , third-party gear unit	60H	2801715	EAMM-U-70-S48-60H-96
EMGA-60-P-...-EAS, EMGC-60-P-... <sup>2)</sup> , third-party gear unit	60H	1587338	EAMM-U-86-S48-60H-102
Third-party gear unit	70GA	8059000	EAMM-U-86-S48-70GA-102
Third-party gear unit	70GA	8059019	EAMM-U-86-S48-70GA-177
<b>EGC-120-...-BS</b>			
<b>With servo motor</b>			
Third-party motor	55A	8059033	EAMM-U-86-S62-55A-177
Third-party motor	60PA	8059026	EAMM-U-86-S62-60PA-102
Third-party motor	60PA	8059034	EAMM-U-86-S62-60PA-177
Third-party motor	70A	8059027	EAMM-U-86-S62-70A-102
Third-party motor	70A	1217543	EAMM-U-86-S62-70A-177
Third-party motor	70AA, 70AB	8059028	EAMM-U-86-S62-70AA-102
Third-party motor	70AA, 70AB	8059036	EAMM-U-86-S62-70AA-177
EMMT-AS-80-..., EMMB-AS-80	80P	★ 2157004	EAMM-U-86-S62-80P-177
Third-party motor	80PB	8105905	EAMM-U-86-S62-80PB-177
Third-party motor	82AA	8059031	EAMM-U-86-S62-82AA-102
Third-party motor	82AA	8059038	EAMM-U-86-S62-82AA-177
Third-party motor	84AA	8059051	EAMM-U-110-S62-84AA-120
Third-party motor	84AA	8059057	EAMM-U-110-S62-84AA-207
Third-party motor	88A	8059052	EAMM-U-110-S62-88A-120
Third-party motor	88A	8059058	EAMM-U-110-S62-88A-207
EMMT-AS-100-...	100A	★ 1217381	EAMM-U-110-S62-100A-207
Third-party motor	126AA	8059073	EAMM-U-145-S62-126AA-288
EMMT-AS-150-...,	140A, 150A	8157287	EAMM-U-145-S62-150A-288

1) The input torque must not exceed the max. permissible transferable torque of the parallel kit.

2) Gear unit output shaft diameter: EMGA-60-P-...-SAS/SST: 11 mm; EMGA-60-P-...-EAS, EMGC-60-P: 14 mm

## Product range overview

## Permitted axis/motor combinations with ball screw axis EGC-BS



- The kit can be mounted in all directions
- A counter bearing EAMG and a clamping sleeve EAMH-...-P with integrated trunnion are included in the scope of delivery for the parallel kit to support the axis shaft.
- Table of interfaces for third-party motors → from page 56

Motor/gear unit <sup>1)</sup> Type	Motor interface	Parallel kit	
		Part no.	Type
<b>EGC-120-...-BS</b>			
<b>With stepper motor</b>			
<b>EMMT-ST-57, EMMB-ST-87-..., third-party motor</b>	87A	<b>8059032</b>	<b>EAMM-U-86-S62-87A-102</b>
<b>EMMT-ST-87, EMMB-ST-87-..., third-party motor</b>	87A	★ <b>1217373</b>	<b>EAMM-U-86-S62-87A-177</b>
<b>With gear unit</b>			
<b>EMGA-60-P-...-SAS/SST<sup>2)</sup></b>	60G	<b>1587411</b>	<b>EAMM-U-86-S62-60G-177</b>
<b>EMGA-60-P-...-EAS, EMGC-60-P-...<sup>2)</sup>, third-party gear unit</b>	60H	<b>1587453</b>	<b>EAMM-U-86-S62-60H-177</b>
<b>Third-party gear unit</b>	70GA	<b>8105902</b>	<b>EAMM-U-86-S62-70GA-177</b>
<b>EGC-185-...-BS</b>			
<b>With servo motor</b>			
<b>Third-party motor</b>	84AA	<b>8059063</b>	<b>EAMM-U-110-S95-84AA-207</b>
<b>EMMT-AS-100-...</b>	100A	<b>1220656</b>	<b>EAMM-U-110-S95-100A-207</b>
<b>EMMT-AS-150-...</b>	140A, 150A	<b>8157288</b>	<b>EAMM-U-145-S95-150A-288</b>
<b>With gear unit</b>			
<b>EMGA-80-P-...</b>	80G	<b>1589544</b>	<b>EAMM-U-110-S95-80G-207</b>
<b>Third-party gear unit</b>	90GA	<b>8105907</b>	<b>EAMM-U-110-S95-90GA-207</b>

1) The input torque must not exceed the max. permissible transferable torque of the parallel kit.

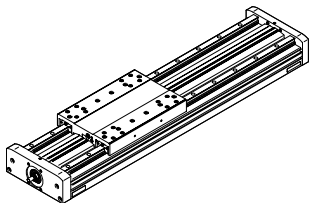
2) Gear unit output shaft diameter: EMGA-60-P-...-SAS/-SST: 11 mm; EMGA-60-P-...-EAS, EMGC-60-P: 14 mm

**Note**

Clamping component EADT for adjusting the toothed belt pretension for EAMM-U-110 and EAMM-U-145 → page 41

## Product range overview

### Permitted axis/motor combinations with ball screw axis with heavy-duty guide EGC-HD-BS



- A counter bearing EAMG and a clamping sleeve EAMH-...-P with integrated trunnion are included in the scope of delivery for the parallel kit to support the axis shaft.
- Table of interfaces for third-party motors → from page 56

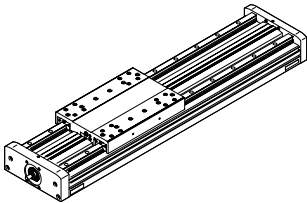
Motor/gear unit <sup>1)</sup>	Motor interface	Parallel kit	
Type		Part no.	Type
<b>EGC-HD-125-...-BS</b>			
<b>With servo motor</b>			
Third-party motor	38AA	8058926	EAMM-U-50-S38-38AA-78
Third-party motor	40A	1217708	EAMM-U-50-S38-40A-78
EMME-AS-40-..., EMMB-AS-40-...	40P	★ 2155239	EAMM-U-50-S38-40P-78
Third-party motor	40R	8058943	EAMM-U-60-S38-40R-91
Third-party motor	55A	1218538	EAMM-U-60-S38-55A-91
Third-party motor	58AA	8058947	EAMM-U-60-S38-58AA-91
Third-party motor	60P	8125092	EAMM-U-60-S38-60P-91
Third-party motor	60RA	8058948	EAMM-U-60-S38-60RA-91
<b>With stepper motor</b>			
EMMT-ST-42, EMMB-ST-42-...	42A	★ 1217945	EAMM-U-50-S38-42A-78
EMMT-ST-57, EMMB-ST-57-...	57A	★ 1218568	EAMM-U-60-S38-57A-91
Third-party motor	57AC	8058946	EAMM-U-60-S38-57AC-91
<b>With gear unit</b>			
EMGA-40-P-...	40G	2283732	EAMM-U-60-S38-40G-91
EMGC-40-P-...	40G	2283732	EAMM-U-60-S38-40G-91
Third-party gear unit	50GA	8107724	EAMM-U-60-S38-50GA-91
<b>EGC-HD-160-...-BS</b>			
<b>With servo motor</b>			
Third-party motor	40R	8058949	EAMM-U-60-S48-40R-91
Third-party motor	55A	1219370	EAMM-U-60-S48-55A-91
Third-party motor	58AA	8058950	EAMM-U-60-S48-58AA-91
Third-party motor	58AA	8058995	EAMM-U-86-S48-58AA-102
Third-party motor	58AA	8059008	EAMM-U-86-S48-58AA-177
EMMT-AS-60-..., EMMB-AS-60	60P	★ 2629253	EAMM-U-70-S48-60P-96
EMMT-AS-60-..., EMMB-AS-60	60P	8058996	EAMM-U-86-S48-60P-102
EMMT-AS-60-..., EMMB-AS-60	60P	8059011	EAMM-U-86-S48-60P-177
Third-party motor	60PA	8059012	EAMM-U-86-S48-60PA-177
Third-party motor	60R	8105843	EAMM-U-70-S48-60R-96
Third-party motor	60RA	8058969	EAMM-U-70-S48-60RA-96
Third-party motor	60RB	8058997	EAMM-U-86-S48-60RB-102
Third-party motor	60RB	8059014	EAMM-U-86-S48-60RB-177
Third-party motor	70A	2787320	EAMM-U-70-S48-70A-96
Third-party motor	70A	1217689	EAMM-U-86-S48-70A-102
Third-party motor	70A	8059016	EAMM-U-86-S48-70A-177
Third-party motor	70AB	8058970	EAMM-U-70-S48-70AB-96
Third-party motor	70AA, 70AB	8058999	EAMM-U-86-S48-70AA-102
Third-party motor	70AA, 70AB	8059017	EAMM-U-86-S48-70AA-177
Third-party motor	82AA	8059002	EAMM-U-86-S48-82AA-102
Third-party motor	82AA	8059021	EAMM-U-86-S48-82AA-177
Third-party motor	84AA	8059003	EAMM-U-86-S48-84AA-102
Third-party motor	84AA	8059022	EAMM-U-86-S48-84AA-177

1) The input torque must not exceed the max. permissible transferable torque of the parallel kit.

2) Gear unit output shaft diameter: EMGA-60-P-...SAS/-SST: 11 mm; EMGA-60-P-...EAS, EMGC-60-P: 14 mm

## Product range overview

## Permitted axis/motor combinations with ball screw axis with heavy-duty guide EGC-HD-BS



- A counter bearing EAMG and a clamping sleeve EAMH-...-P with integrated trunnion are included in the scope of delivery for the parallel kit to support the axis shaft.
- Table of interfaces for third-party motors → from page 56

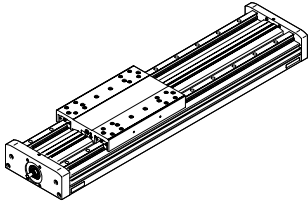
Motor/gear unit <sup>1)</sup> Type	Motor interface	Parallel kit Part no.	Type
<b>EGC-HD-160-...-BS</b>			
<b>With stepper motor</b>			
EMMT-ST-57, EMMB-ST-57-...	57A	1219379	EAMM-U-60-S48-57A-91
Third-party motor	60AA	8105898	EAMM-U-60-S48-60AA-91
EMMT-ST-87, EMMB-ST-87-..., third-party motor	87A	8059004	EAMM-U-86-S48-87A-102
EMMT-ST-87, EMMB-ST-87-..., third-party motor	87A	1217604	EAMM-U-86-S48-87A-177
<b>With gear unit</b>			
EMGA-40-P-...	40G	2283760	EAMM-U-60-S48-40G-91
EMGC-40-P-...	40G	2283760	EAMM-U-60-S48-40G-91
Third-party gear unit	50GA	8105900	EAMM-U-60-S48-50GA-91
EMGA-60-P-...-SAS/SST <sup>2)</sup>	60G	2283760	EAMM-U-70-S48-60G-96
EMGA-60-P-...-SAS/SST <sup>2)</sup>	60G	1587251	EAMM-U-86-S48-60G-102
EMGA-60-P-...-SAS/SST <sup>2)</sup>	60G	8059009	EAMM-U-86-S48-60G-177
EMGA-60-P-...-EAS, EMGC-60-P-... <sup>2)</sup> , third-party gear unit	60H	2801715	EAMM-U-70-S48-60H-96
EMGA-60-P-...-EAS, EMGC-60-P-... <sup>2)</sup> , third-party gear unit	60H	1587338	EAMM-U-86-S48-60H-102
Third-party gear unit	70GA	8059000	EAMM-U-86-S48-70GA-102
Third-party gear unit	70GA	8059019	EAMM-U-86-S48-70GA-177
<b>EGC-HD-220-...-BS</b>			
<b>With servo motor</b>			
Third-party motor	55A	8059033	EAMM-U-86-S62-55A-177
Third-party motor	60PA	8059026	EAMM-U-86-S62-60PA-102
Third-party motor	60PA	8059034	EAMM-U-86-S62-60PA-177
Third-party motor	70A	8059027	EAMM-U-86-S62-70A-102
Third-party motor	70A	1217543	EAMM-U-86-S62-70A-177
Third-party motor	70AA, 70AB	8059028	EAMM-U-86-S62-70AA-102
Third-party motor	70AA, 70AB	8059036	EAMM-U-86-S62-70AA-177
EMMT-AS-80-..., EMMB-AS-80	80P	★ 2157004	EAMM-U-86-S62-80P-177
Third-party motor	80PB	8105905	EAMM-U-86-S62-80PB-177
Third-party motor	82AA	8059031	EAMM-U-86-S62-82AA-102
Third-party motor	82AA	8059038	EAMM-U-86-S62-82AA-177
Third-party motor	84AA	8059051	EAMM-U-110-S62-84AA-120
Third-party motor	84AA	8059057	EAMM-U-110-S62-84AA-207
Third-party motor	88A	8059052	EAMM-U-110-S62-88A-120
Third-party motor	88A	8059058	EAMM-U-110-S62-88A-207
EMMT-AS-100-...	100A	★ 1217381	EAMM-U-110-S62-100A-207
Third-party motor	126AA	8059073	EAMM-U-145-S62-126AA-288
EMMT-AS-150-...,	140A, 150A	8157287	EAMM-U-145-S62-150A-288

1) The input torque must not exceed the max. permissible transferable torque of the parallel kit.

2) Gear unit output shaft diameter: EMGA-60-P-...-SAS/SST: 11 mm; EMGA-60-P-...-EAS, EMGC-60-P: 14 mm

## Product range overview

### Permitted axis/motor combinations with ball screw axis with heavy-duty guide EGC-HD-BS



- A counter bearing EAMG and a clamping sleeve EAMH-...-P with integrated trunnion are included in the scope of delivery for the parallel kit to support the axis shaft.
- Table of interfaces for third-party motors → from page 56

Motor/gear unit <sup>1)</sup> Type	Motor interface	Parallel kit Part no.	Type
<b>EGC-HD-220-...-BS</b>			
<b>With stepper motor</b>			
EMMT-ST-87, EMMB-ST-87-..., third-party motor	87A	8059032	EAMM-U-86-S62-87A-102
EMMT-ST-87, EMMB-ST-87-..., third-party motor	87A	★ 1217373	EAMM-U-86-S62-87A-177
<b>With gear unit</b>			
EMGA-60-P-...-SAS/SST <sup>2)</sup>	60G	1587411	EAMM-U-86-S62-60G-177
EMGA-60-P-...-EAS, EMGC-60-P-... <sup>2)</sup> , third-party gear unit	60H	1587453	EAMM-U-86-S62-60H-177
Third-party gear unit	70GA	8105902	EAMM-U-86-S62-70GA-177

1) The input torque must not exceed the max. permissible transferable torque of the parallel kit.

2) Gear unit output shaft diameter: EMGA-60-P-...-SAS/-SST: 11 mm; EMGA-60-P-...-EAS, EMGC-60-P: 14 mm

## Datasheet

Material:

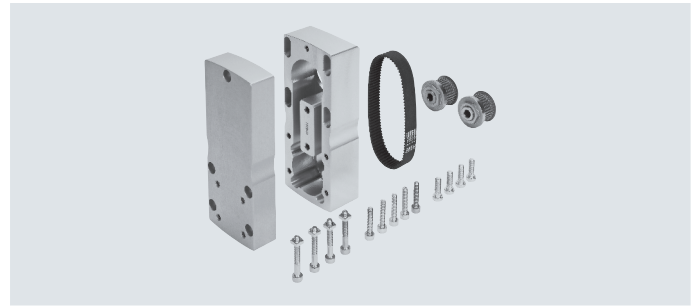
Housing: Wrought aluminium alloy

Clamping sleeve, toothed belt

pulley: Corrosion-resistant steel

Toothed belt: Polychloroprene

Screws: Galvanised steel



General technical data												
Type	For axis	Transferable torque [Nm]	Mass moment of inertia [kgmm <sup>2</sup> ]	Max. speed [rpm]	No-load driving torque [Nm]	Weight [g]	→ Page					
EAMM-U-50-D19-38AA-78	EGSL	1	12.1	6000	0.01	600	28					
EAMM-U-50-D19-40R-78	EGSL					600	28, 34					
EAMM-U-50-D32-32B-78	ESBF, EGSL					608						
EAMM-U-50-D32-38AA-78	ESBF, EGSL					600						
EAMM-U-50-D32-40A-78	ESBF, EGSL					600						
EAMM-U-50-D32-40A-78-S1	ESBF					620						
EAMM-U-50-D32-40P-48	ESBF, EGSL					479						
EAMM-U-50-D32-40P-78	ESBF, EGSL					596						
EAMM-U-50-D32-40P-78-S1	ESBF					610						
EAMM-U-50-D32-40RA-78	ESBF, EGSL					600						
EAMM-U-50-D32-42A-78	ESBF, EGSL					610						
EAMM-U-50-D32-42A-78-S1	ESBF					630						
EAMM-U-60-D32-40G-91	ESBF, EGSL					3		26.7	6000	0.07	1100	
EAMM-U-60-D32-40G-91-S1	ESBF										1140	
EAMM-U-60-D32-42B/C-91	ESBF, EGSL	1100										
EAMM-U-60-D32-42B/C-91-S1	ESBF	1140										
EAMM-U-60-D32-55A-91	ESBF, EGSL	1050										
EAMM-U-60-D32-55A-91-S1	ESBF	1100										
EAMM-U-60-D32-57A-91	ESBF, EGSL	1160										
EAMM-U-60-D32-57A-91-S1	ESBF	1190										
EAMM-U-60-D32-57AC-91	ESBF, EGSL	1150										
EAMM-U-60-D32-58AA-91	ESBF, EGSL	1150										
EAMM-U-60-D32-60AA-91	ESBF, EGSL	1150										
EAMM-U-60-D40-60P-61	ESBF, EGSL	926										
EAMM-U-60-D32-60P-91	ESBF, EGSL	1130										
EAMM-U-60-D32-60RA-91	ESBF, EGSL	1150										
EAMM-U-60-D32-60RB-91	ESBF, EGSL	1150										
EAMM-U-60-D40-40G-91	ESBF, EGSL	1080										
EAMM-U-60-D40-40G-91-S1	ESBF	1130										
EAMM-U-60-D40-40R-91	ESBF, EGSL	1150										
EAMM-U-60-D40-42B/C-91	ESBF, EGSL	1080										
EAMM-U-60-D40-42B/C-91-S1	ESBF	1130										
EAMM-U-60-D40-50GA-91	ESBF, EGSL	1150										
EAMM-U-60-D40-55A-91	ESBF, EGSL	1040										
EAMM-U-60-D40-55A-91-S1	ESBF	1080										
EAMM-U-60-D40-57A-91	ESBF, EGSL	1140										
EAMM-U-60-D40-57A-91-S1	ESBF	1170										
EAMM-U-60-D40-57AC-91	ESBF, EGSL	1150										
EAMM-U-60-D40-58AA-91	ESBF, EGSL	1150										

Datasheet

General technical data												
Type	For axis	Transferable torque [Nm]	Mass moment of inertia [kgmm <sup>2</sup> ]	Max. speed [rpm]	No-load driving torque [Nm]	Weight [g]	→ Page					
EAMM-U-70-D32-52B/C-96	ESBF, EGSL	7	118	5000	0.18	1800	28, 34					
EAMM-U-70-D32-52B/C-96-S1	ESBF					1820						
EAMM-U-70-D32-60G-96	ESBF, EGSL					1760						
EAMM-U-70-D32-60G-96-S1	ESBF					1790						
EAMM-U-70-D32-60H-96	ESBF, EGSL					1750						
EAMM-U-70-D32-60H-96-S1	ESBF					1780						
EAMM-U-70-D32-60P-96	ESBF, EGSL					1750						
EAMM-U-70-D32-60P-96-S1	ESBF					1770						
EAMM-U-70-D32-68GA-96	ESBF, EGSL					1800						
EAMM-U-70-D32-70A-96	ESBF, EGSL					1720						
EAMM-U-70-D32-70A-96-S1	ESBF					1750						
EAMM-U-70-D32-70AA-96	ESBF, EGSL					1750						
EAMM-U-70-D40-52B/C-96	ESBF, EGSL					1780						
EAMM-U-70-D40-52B/C-96-S1	ESBF					1800						
EAMM-U-70-D40-60G-96	ESBF, EGSL					1740						
EAMM-U-70-D40-60G-96-S1	ESBF					1770						
EAMM-U-70-D40-60H-96	ESBF, EGSL					1730						
EAMM-U-70-D40-60H-96-S1	ESBF					1760						
EAMM-U-70-D40-60P-96	ESBF, EGSL					1730						
EAMM-U-70-D40-60P-96-S1	ESBF					1750						
EAMM-U-70-D40-60RA-96	ESBF, EGSL					1800						
EAMM-U-70-D40-68GA-96	ESBF, EGSL					1800						
EAMM-U-70-D40-70A-96	ESBF, EGSL					1700						
EAMM-U-70-D40-70A-96-S1	ESBF					1730						
EAMM-U-70-D50-60P-96	ESBF					1730						
EAMM-U-70-D50-70A-96	ESBF					1700						
EAMM-U-70-D50-70A-96-S1	ESBF					1730						
EAMM-U-70-D50-60RA-96	ESBF, EGSL					1800						
EAMM-U-70-D50-68GA-96	ESBF, EGSL					1800						
EAMM-U-86-D40-52B/C-102	ESBF, EGSL					9.5		175	5000	0.25	2520	28
EAMM-U-86-D40-52B/C-102-S1	ESBF										2540	
EAMM-U-86-D40-60G-102	ESBF, EGSL										2480	
EAMM-U-86-D40-60G-102-S1	ESBF	2500										
EAMM-U-86-D40-60H-102	ESBF, EGSL	2470										
EAMM-U-86-D40-60H-102-S1	ESBF	2490										
EAMM-U-86-D40-60PA-102	ESBF, EGSL	2500										
EAMM-U-86-D40-70A-102	ESBF, EGSL	2450										
EAMM-U-86-D40-70A-102-S1	ESBF	2460										
EAMM-U-86-D40-70AA-102	ESBF, EGSL	2500										
EAMM-U-86-D40-70AB-102	ESBF, EGSL	2500										
EAMM-U-86-D40-80P-102	ESBF, EGSL	2300										
EAMM-U-86-D40-80PB-102	ESBF, EGSL	2300										
EAMM-U-86-D40-80P-102-S1	ESBF	2320										
EAMM-U-86-D40-82AA-102	ESBF, EGSL	2500										
EAMM-U-86-D40-84AA-102	ESBF, EGSL	2500										
EAMM-U-86-D40-87A-102	ESBF, EGSL	2510										
EAMM-U-86-D40-87A-102-S1	ESBF	2530										
EAMM-U-86-D50-80P-102	ESBF	2330										
EAMM-U-86-D50-80PB-102		2330										
EAMM-U-86-D50-80P-102-S1		2350										
EAMM-U-86-D50-87A-102		2550										
EAMM-U-86-D50-87A-102-S1		2560										
EAMM-U-86-D50-60H-102		2500										
EAMM-U-86-D50-60H-102-S1		2520										
EAMM-U-86-D50-60G-102		2510										
EAMM-U-86-D50-60G-102-S1		2530										



## Datasheet

General technical data									
Type	For axis	Transferable torque [Nm]	Mass moment of inertia [kgmm <sup>2</sup> ]	Max. speed [rpm]	No-load driving torque [Nm]	Weight [g]	→ Page		
EAMM-U-86-D60-52B/C-102	ESBF, EGSL	9.5	175	5000	0.25	2520	28, 34		
EAMM-U-86-D60-52B/C-102-S1	ESBF					2540			
EAMM-U-86-D60-55A-102	ESBF, EGSL					2500			
EAMM-U-86-D60-57AA-102	ESBF, EGSL					2500			
EAMM-U-86-D60-58AA-102	ESBF, EGSL					2500			
EAMM-U-86-D60-60G-102	ESBF, EGSL					2480			
EAMM-U-86-D60-60G-102-S1	ESBF					2500			
EAMM-U-86-D60-60H-102	ESBF, EGSL					2470			
EAMM-U-86-D60-60H-102-S1	ESBF					2490			
EAMM-U-86-D60-60P-102	ESBF, EGSL					2500			
EAMM-U-86-D60-60PA-102	ESBF, EGSL					2500			
EAMM-U-86-D60-60RB-102	ESBF, EGSL					2500			
EAMM-U-86-D60-70A-102	ESBF, EGSL					2440			
EAMM-U-86-D60-70A-102-S1	ESBF					2460			
EAMM-U-86-D60-70AA-102	ESBF, EGSL					2500			
EAMM-U-86-D60-70AB-102	ESBF, EGSL					2500			
EAMM-U-86-D60-70GA-102	ESBF, EGSL					2500			
EAMM-U-86-D60-80P-102	ESBF, EGSL					2300			
EAMM-U-86-D60-80PB-102	ESBF, EGSL					2300			
EAMM-U-86-D60-80P-102-S1	ESBF					2320			
EAMM-U-86-D60-82AA-102	ESBF, EGSL					2500			
EAMM-U-86-D60-84AA-102	ESBF, EGSL					2500			
EAMM-U-86-D60-87A-102	ESBF, EGSL					2510			
EAMM-U-86-D60-87A-102-S1	ESBF					2520			
EAMM-U-110-D50-100A-120	ESBF					25		799	5000
EAMM-U-110-D50-100A-120-S1		5050							
EAMM-U-110-D50-60H-120		5280							
EAMM-U-110-D50-60H-120-S1		5310							
EAMM-U-110-D50-60G-120		5290							
EAMM-U-110-D50-60G-120-S1		5320							
EAMM-U-110-D50-80G-120		5160							
EAMM-U-110-D50-84AA-120									
EAMM-U-110-D50-80G-120-S1		5220							
EAMM-U-110-D50-120GA-120		ESBF, EGSL	5250						
EAMM-U-110-D60-60G-120		ESBF, EGSL	5250	28, 34					
EAMM-U-110-D60-60G-120-S1		ESBF	5080						
EAMM-U-110-D60-60H-120		ESBF, EGSL	5240						
EAMM-U-110-D60-60H-120-S1		ESBF	5270						
EAMM-U-110-D60-62B-120		ESBF, EGSL	5230						
EAMM-U-110-D60-62B-120-S1		ESBF	5270						
EAMM-U-110-D60-80G-120		ESBF, EGSL	5120						
EAMM-U-110-D60-80G-120-S1		ESBF	5180						
EAMM-U-110-D60-84AA-120	ESBF	5250							
EAMM-U-110-D60-88A-120	ESBF	5250							
EAMM-U-110-D60-90GA-120	ESBF	5250							
EAMM-U-110-D60-100A-120	ESBF, EGSL	4950							
EAMM-U-110-D60-100A-120-S1	ESBF	5020							
EAMM-U-110-D80-80G-120	ESBF	5240	28, 34						
EAMM-U-110-D80-80G-120-S1		5310							
EAMM-U-110-D80-120GA-120	ESBF, EGSL	5250							
EAMM-U-110-D80-100A-120	ESBF	5070							
EAMM-U-110-D80-100A-120-S1		5140							
EAMM-U-145-D80-126AA-188	ESBF, EGSL	50	2270	4000	2.0	12000			
EAMM-U-145-D80-90GA-188						12000			

## Datasheet

General technical data													
Type	For axis	Transferable torque [Nm]	Mass moment of inertia [kgmm <sup>2</sup> ]	Max. speed [rpm]	No-load driving torque [Nm]	Weight [g]	→ Page						
EAMM-U-145-D80-140A-188	ESBF	50	2270	4000	2.0	11900	28						
EAMM-U-145-D80-140A-188-S1						12100							
EAMM-U-145-D80-150A-188						11500							
EAMM-U-145-D80-150A-188-S1						11600							
EAMM-U-145-D100-120G-188						12000							
EAMM-U-145-D100-120G-188-S1						12100							
EAMM-U-145-D100-140A-188						11800							
EAMM-U-145-D100-140A-188-S1						11900							
EAMM-U-145-D100-150A-188						11400							
EAMM-U-145-D100-150A-188-S1						11500							
EAMM-U-50-S38-38AA-78						ELGA-BS, EGC-BS, EGC-HD-BS		1	12.1	6000	0.01	600	38
EAMM-U-50-S38-40A-78	580												
EAMM-U-50-S38-40P-78	577												
EAMM-U-50-S38-42A-78	590												
EAMM-U-60-S38-40G-91	ELGA-BS, EGC-BS, EGC-HD-BS	3	26.7	6000	0.07	1040							
EAMM-U-60-S38-40R-91						1150							
EAMM-U-60-S38-55A-91						990							
EAMM-U-60-S38-57A-91						1090							
EAMM-U-60-S38-57AC-91						1150							
EAMM-U-60-S38-58AA-91						1150							
EAMM-U-60-S38-50GA-91						1150							
EAMM-U-60-S38-60P-91						1120							
EAMM-U-60-S38-60RA-91						1150							
EAMM-U-60-S48-40G-91						1110							
EAMM-U-60-S48-40R-91						1150							
EAMM-U-60-S48-50GA-91						1150							
EAMM-U-60-S48-55A-91						1060							
EAMM-U-60-S48-57A-91						1160							
EAMM-U-60-S48-58AA-91						1150							
EAMM-U-60-S48-60AA-91						1150							
EAMM-U-70-S48-60G-96						ELGA-BS, EGC-BS, EGC-HD-BS		7	118	5000	0.18	1780	38
EAMM-U-70-S48-60H-96												1780	
EAMM-U-70-S48-60P-96	1790												
EAMM-U-70-S48-60R-96	1790												
EAMM-U-70-S48-60RA-96	1800												
EAMM-U-70-S48-70A-96	1750												
EAMM-U-70-S48-70AB-96	1150												
EAMM-U-86-S48-58AA-102	ELGA-BS, EGC-BS, EGC-HD-BS	9.5	175	5000	0.25	2500	38						
EAMM-U-86-S48-60G-102						2480							
EAMM-U-86-S48-60H-102						2470							
EAMM-U-86-S48-60P-102						2500							
EAMM-U-86-S48-60RB-102						2500							
EAMM-U-86-S48-70A-102						2440							
EAMM-U-86-S48-70AA-102						2500							
EAMM-U-86-S48-70GA-102						2500							
EAMM-U-86-S48-82AA-102						2500							
EAMM-U-86-S48-84AA-102						2500							
EAMM-U-86-S48-87A-102						2500							
EAMM-U-86-S48-58AA-177						3300							
EAMM-U-86-S48-60G-177						3300							
EAMM-U-86-S48-60P-177						3300							
EAMM-U-86-S48-60PA-177						3300							
EAMM-U-86-S48-60PB-177						3300							
EAMM-U-86-S48-70A-177						3300							

## Datasheet

General technical data							
Type	For axis	Transferable torque [Nm]	Mass moment of inertia [kgmm <sup>2</sup> ]	Max. speed [rpm]	No-load driving torque [Nm]	Weight [g]	→ Page
EAMM-U-86-S48-70AA-177	ELGA-BS, EGC-BS, EGC-HD-BS	9.5	175	5000	0.25	3300	38
EAMM-U-86-S48-70AB-177						3300	
EAMM-U-86-S48-70GA-177						3300	
EAMM-U-86-S48-82AA-177						3300	
EAMM-U-86-S48-84AA-177						3300	
EAMM-U-86-S48-87A-177						3270	
EAMM-U-86-S62-60PA-102						2500	
EAMM-U-86-S62-70A-102						2500	
EAMM-U-86-S62-70AA-102						2500	
EAMM-U-86-S62-70AB-102						2500	
EAMM-U-86-S62-82AA-102						2500	
EAMM-U-86-S62-87A-102						2500	
EAMM-U-86-S62-55A-177						3300	
EAMM-U-86-S62-60G-177						3300	
EAMM-U-86-S62-60H-177						3290	
EAMM-U-86-S62-60PA-177						3300	
EAMM-U-86-S62-70A-177						3270	
EAMM-U-86-S62-70AA-177						3300	
EAMM-U-86-S62-70AB-177						3300	
EAMM-U-86-S62-70GA-177						3300	
EAMM-U-86-S62-80PB-177						3300	
EAMM-U-86-S62-80P-177						3130	
EAMM-U-86-S62-82AA-177						3300	
EAMM-U-86-S62-87A-177						3330	
EAMM-U-110-S62-84AA-120	ELGA-BS, EGC-BS, EGC-HD-BS	25	799	5000	0.3	5250	
EAMM-U-110-S62-88A-120						5250	
EAMM-U-110-S62-84AA-207						6900	
EAMM-U-110-S62-88A-207						6900	
EAMM-U-110-S62-100A-207						6900	
EAMM-U-110-S95-100A-207						6810	
EAMM-U-110-S95-80G-207						6940	
EAMM-U-110-S95-90GA-207						6940	
EAMM-U-110-S95-84AA-207	ELGA-BS, EGC-BS					6900	
EAMM-U-145-S62-126AA-288	ELGA-BS, EGC-BS, EGC-HD-BS	50	2270	4000	2.0	15000	
EAMM-U-145-S62-140A-288						15030	
EAMM-U-145-S62-150A-288						14600	
EAMM-U-145-S95-140A-288	ELGA-BS, EGC-BS					14850	
EAMM-U-145-S95-150A-288							14500

Operating and environmental conditions		
Gear ratio		1:1
Ambient temperature	[°C]	-10 ... +60
Storage temperature	[°C]	-25 ... +60
Degree of protection <sup>1)</sup>		
EAMM-U-...		IP40
EAMM-U-...-S1		IP65
Relative humidity	[%]	0 ... 95
Corrosion resistance class CRC <sup>2)</sup>		2
Note on materials		RoHS-compliant
LABS (PWIS) conformity		VDMA24364 zone III

1) Only in combination with attached motor and axis.

2) Corrosion resistance class CRC 2 to Festo standard FN 940070

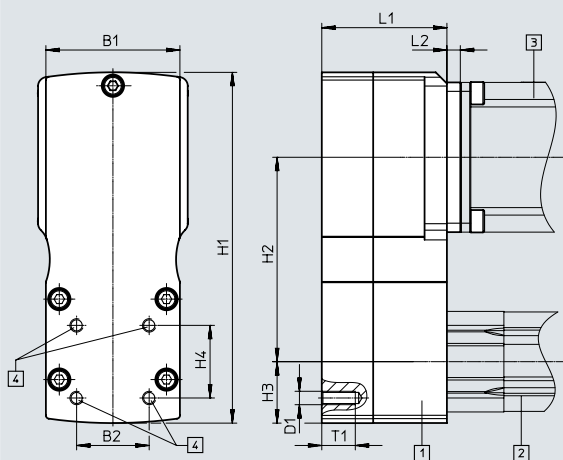
Moderate corrosion stress. Indoor applications in which condensation can occur. External visible parts with primarily decorative surface requirements that are in direct contact with a normal industrial environment.

Datasheet

Dimensions and ordering data

Download CAD data → [www.festo.com](http://www.festo.com)

ESBF-BS...



Main illustration:

- [1] Parallel kit
- [2] Electric cylinder
- [3] Motor
- [4] Interface for mounting accessories
- [5] Only with EAMM-U-...-S1 (with degree of protection IP65)

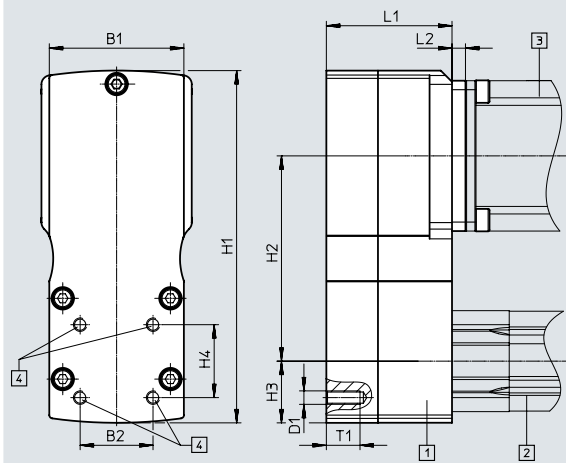
Type	B1	B2	D1	H1	H2 ±1	H3	H4	L1	L2	T1	Part no.	Type										
EAMM-U-50-D32-32B-78	50	32.5	M6	128.8	78	22.8	32.5	45	-	15	1570862	EAMM-U-50-D32-32B-78										
EAMM-U-50-D32-38AA-78											8058924	EAMM-U-50-D32-38AA-78										
EAMM-U-50-D32-40RA-78											8058925	EAMM-U-50-D32-40RA-78										
EAMM-U-50-D32-40A-78											1201591	EAMM-U-50-D32-40A-78										
EAMM-U-50-D32-40A-78-S1											1202302	EAMM-U-50-D32-40A-78-S1										
EAMM-U-50-D32-40P-48											8164734	EAMM-U-50-D32-40P-48										
EAMM-U-50-D32-40P-78											★ 2153283	EAMM-U-50-D32-40P-78										
EAMM-U-50-D32-40P-78-S1											2154009	EAMM-U-50-D32-40P-78-S1										
EAMM-U-50-D32-42A-78											★ 1201607	EAMM-U-50-D32-42A-78										
EAMM-U-50-D32-42A-78-S1											1202312	EAMM-U-50-D32-42A-78-S1										
EAMM-U-60-D32-40G-91											60	32.5	M6	157	91.5	27.5	32.5	56	8	15	1577358	EAMM-U-60-D32-40G-91
EAMM-U-60-D32-40G-91-S1																			8.5		1577346	EAMM-U-60-D32-40G-91-S1
EAMM-U-60-D32-55A-91	1210126	EAMM-U-60-D32-55A-91																				
EAMM-U-60-D32-55A-91-S1	1210450	EAMM-U-60-D32-55A-91-S1																				
EAMM-U-60-D32-57A-91	★ 1210419	EAMM-U-60-D32-57A-91																				
EAMM-U-60-D32-57A-91-S1	1210453	EAMM-U-60-D32-57A-91-S1																				
EAMM-U-60-D32-57AC-91	8058929	EAMM-U-60-D32-57AC-91																				
EAMM-U-60-D32-58AA-91	8058930	EAMM-U-60-D32-58AA-91																				
EAMM-U-60-D32-60RB-91	8058932	EAMM-U-60-D32-60RB-91																				
EAMM-U-60-D32-60AA-91	8123498	EAMM-U-60-D32-60AA-91																				
EAMM-U-60-D32-60P-91	8125069	EAMM-U-60-D32-60P-91																				
EAMM-U-60-D32-60RA-91	8123497	EAMM-U-60-D32-60RA-91																				
EAMM-U-60-D40-40G-91	60	38	M6	157	91.5	27.5	38	56	8	15	1577165	EAMM-U-60-D40-40G-91										
EAMM-U-60-D40-40G-91-S1									8.5		1435968	EAMM-U-60-D40-40G-91-S1										
EAMM-U-60-D40-40R-91									8058934		EAMM-U-60-D40-40R-91											
EAMM-U-60-D40-50GA-91									8058935		EAMM-U-60-D40-50GA-91											
EAMM-U-60-D40-55A-91									1210438		EAMM-U-60-D40-55A-91											
EAMM-U-60-D40-55A-91-S1									1210458		EAMM-U-60-D40-55A-91-S1											
EAMM-U-60-D40-57A-91									★ 1210442		EAMM-U-60-D40-57A-91											
EAMM-U-60-D40-57A-91-S1									1210462		EAMM-U-60-D40-57A-91-S1											
EAMM-U-60-D40-57AC-91									8058939		EAMM-U-60-D40-57AC-91											
EAMM-U-60-D40-58AA-91									8058940		EAMM-U-60-D40-58AA-91											
EAMM-U-60-D40-60P-61									8164735		EAMM-U-60-D40-60P-61											
EAMM-U-60-D40-60R-91									1210446		EAMM-U-60-D40-60R-91											

# Datasheet

## Dimensions and ordering data

Download CAD data → [www.festo.com](http://www.festo.com)

ESBF-BS-...



Main illustration:

- [1] Parallel kit
- [2] Electric cylinder
- [3] Motor
- [4] Interface for mounting accessories
- [5] Only with EAMM-U-...-S1 (with degree of protection IP65)

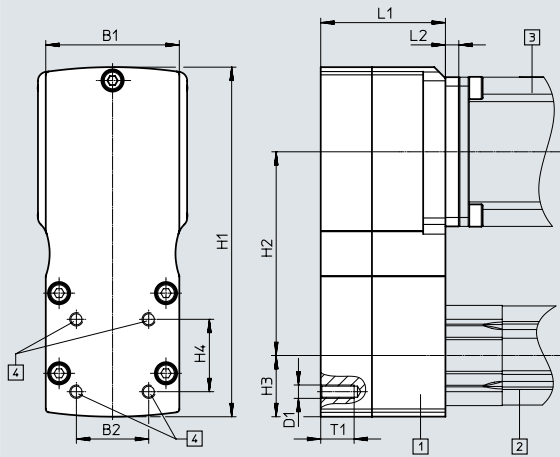
Type	B1	B2	D1	H1	H2 ±1	H3	H4	L1	L2	T1	Part no.	Type							
EAMM-U-70-D32-60G-96	70	32.5	M6	173.5	96	34.5	32.5	64.5	8	15	2748181	EAMM-U-70-D32-60G-96							
EAMM-U-70-D32-60G-96-S1									8.5		2778302	EAMM-U-70-D32-60G-96-S1							
EAMM-U-70-D32-60H-96									8		2778393	EAMM-U-70-D32-60H-96							
EAMM-U-70-D32-60H-96-S1									8.5		2781450	EAMM-U-70-D32-60H-96-S1							
EAMM-U-70-D32-60P-96									★ 2619586		EAMM-U-70-D32-60P-96								
EAMM-U-70-D32-60P-96-S1									2619688		EAMM-U-70-D32-60P-96-S1								
EAMM-U-70-D32-68GA-96									8058951		EAMM-U-70-D32-68GA-96								
EAMM-U-70-D32-70A-96									2755565		EAMM-U-70-D32-70A-96								
EAMM-U-70-D32-70A-96-S1		2781711					EAMM-U-70-D32-70A-96-S1												
EAMM-U-70-D32-70AA-96		8123499					EAMM-U-70-D32-70AA-96												
EAMM-U-70-D40-60G-96		38					38		M8		173.5	96	34.5	38	66.5	8	15	2785471	EAMM-U-70-D40-60G-96
EAMM-U-70-D40-60G-96-S1																8.5		2785542	EAMM-U-70-D40-60G-96-S1
EAMM-U-70-D40-60H-96																8		2786101	EAMM-U-70-D40-60H-96
EAMM-U-70-D40-60H-96-S1																8.5		2786137	EAMM-U-70-D40-60H-96-S1
EAMM-U-70-D40-60P-96																★ 2617488		EAMM-U-70-D40-60P-96	
EAMM-U-70-D40-60P-96-S1																2546123		EAMM-U-70-D40-60P-96-S1	
EAMM-U-70-D40-60RA-96	8058952		EAMM-U-70-D40-60RA-96																
EAMM-U-70-D40-68GA-96	8058954		EAMM-U-70-D40-68GA-96																
EAMM-U-70-D40-70A-96	2786204	EAMM-U-70-D40-70A-96																	
EAMM-U-70-D40-70A-96-S1	2786316	EAMM-U-70-D40-70A-96-S1																	
EAMM-U-70-D50-60P-96	70	46.5	M8	173.5	96	34.5	46.5	66.5		-				15		8123171		EAMM-U-70-D50-60P-96	
EAMM-U-70-D50-60RA-96										8058963						EAMM-U-70-D50-60RA-96			
EAMM-U-70-D50-68GA-96										8058965						EAMM-U-70-D50-68GA-96			
EAMM-U-70-D50-70A-96										2786899						EAMM-U-70-D50-70A-96			
EAMM-U-70-D50-70A-96-S1										2756078						EAMM-U-70-D50-70A-96-S1			

Datasheet

Dimensions and ordering data

Download CAD data → [www.festo.com](http://www.festo.com)

ESBF-BS...



Main illustration:

- [1] Parallel kit
- [2] Electric cylinder
- [3] Motor
- [4] Interface for mounting accessories
- [5] Only with EAMM-U-...-S1 (with degree of protection IP65)

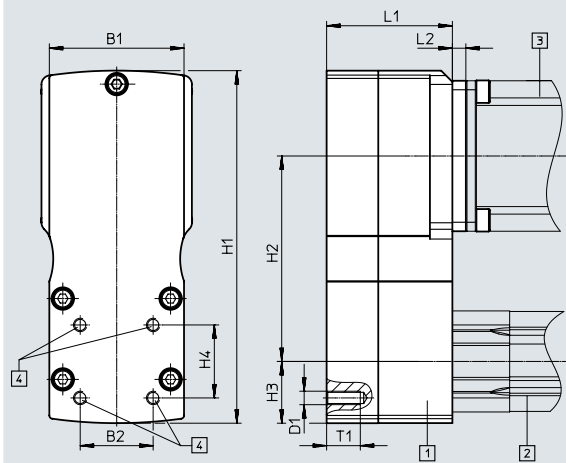
Type	B1	B2	D1	H1	H2 ±1	H3	H4	L1	L2	T1	Part no.	Type
EAMM-U-86-D40-60G-102	86	38	M6	188.5	102.5	38	38	69	8	16	1586445	EAMM-U-86-D40-60G-102
EAMM-U-86-D40-60G-102-S1									8.5		1586429	EAMM-U-86-D40-60G-102-S1
EAMM-U-86-D40-60H-102									8		1586496	EAMM-U-86-D40-60H-102
EAMM-U-86-D40-60H-102-S1									8.5		1586372	EAMM-U-86-D40-60H-102-S1
EAMM-U-86-D40-60PA-102									8058972		EAMM-U-86-D40-60PA-102	
EAMM-U-86-D40-70A-102									1212826		EAMM-U-86-D40-70A-102	
EAMM-U-86-D40-70A-102-S1									1212854		EAMM-U-86-D40-70A-102-S1	
EAMM-U-86-D40-70AA-102									8058973		EAMM-U-86-D40-70AA-102	
EAMM-U-86-D40-80P-102									★ 2802441		EAMM-U-86-D40-80P-102	
EAMM-U-86-D40-80P-102-S1									2802656		EAMM-U-86-D40-80P-102-S1	
EAMM-U-86-D40-80PB-102									2		8123501	EAMM-U-86-D40-80PB-102
EAMM-U-86-D40-82AA-102									-		8058975	EAMM-U-86-D40-82AA-102
EAMM-U-86-D40-84AA-102									10.5		8058976	EAMM-U-86-D40-84AA-102
EAMM-U-86-D40-87A-102									★ 1215802		EAMM-U-86-D40-87A-102	
EAMM-U-86-D40-87A-102-S1									-		1215814	EAMM-U-86-D40-87A-102-S1
EAMM-U-86-D50-60G-102									86		46.5	M8
EAMM-U-86-D50-60G-102-S1	8.5	2803197	EAMM-U-86-D50-60G-102-S1									
EAMM-U-86-D50-60H-102	8	2803326	EAMM-U-86-D50-60H-102									
EAMM-U-86-D50-60H-102-S1	8.5	2803325	EAMM-U-86-D50-60H-102-S1									
EAMM-U-86-D50-70GA-102	14	8107044	EAMM-U-86-D50-70GA-102									
EAMM-U-86-D50-80P-102	-	★ 2803053	EAMM-U-86-D50-80P-102									
EAMM-U-86-D50-80P-102-S1		2803073	EAMM-U-86-D50-80P-102-S1									
EAMM-U-86-D50-80PB-102		8107089	EAMM-U-86-D50-80PB-102									
EAMM-U-86-D50-87A-102		★ 2802708	EAMM-U-86-D50-87A-102									
EAMM-U-86-D50-87A-102-S1		2802742	EAMM-U-86-D50-87A-102-S1									

# Datasheet

## Dimensions and ordering data

Download CAD data → [www.festo.com](http://www.festo.com)

ESBF-BS-...



Main illustration:

- [1] Parallel kit
- [2] Electric cylinder
- [3] Motor
- [4] Interface for mounting accessories
- [5] Only with EAMM-U-...-S1 (with degree of protection IP65)

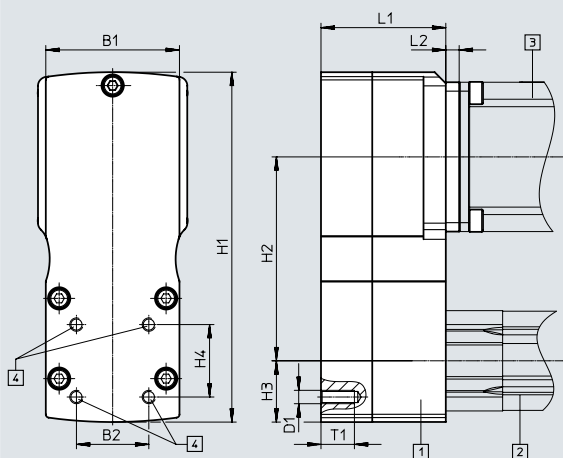
Type	B1	B2	D1	H1	H2 ±1	H3	H4	L1	L2	T1	Part no.	Type
EAMM-U-86-D60-55A-102	86	56.5	M8	188.5	102.5	38	56.5	67	-	16	8058979	EAMM-U-86-D60-55A-102
EAMM-U-86-D60-57AA-102								8058980			EAMM-U-86-D60-57AA-102	
EAMM-U-86-D60-58AA-102								8058981			EAMM-U-86-D60-58AA-102	
EAMM-U-86-D60-60G-102								1586347			EAMM-U-86-D60-60G-102	
EAMM-U-86-D60-60G-102-S1								1437163			EAMM-U-86-D60-60G-102-S1	
EAMM-U-86-D60-60H-102								1586276			EAMM-U-86-D60-60H-102	
EAMM-U-86-D60-60H-102-S1								1530837			EAMM-U-86-D60-60H-102-S1	
EAMM-U-86-D60-60P-102								8058982			EAMM-U-86-D60-60P-102	
EAMM-U-86-D60-60PA-102								8058983			EAMM-U-86-D60-60PA-102	
EAMM-U-86-D60-60RB-102								8058986			EAMM-U-86-D60-60RB-102	
EAMM-U-86-D60-70A-102								1212477			EAMM-U-86-D60-70A-102	
EAMM-U-86-D60-70A-102-S1								1212835			EAMM-U-86-D60-70A-102-S1	
EAMM-U-86-D60-70AA-102								8058988			EAMM-U-86-D60-70AA-102	
EAMM-U-86-D60-70GA-102								8058990			EAMM-U-86-D60-70GA-102	
EAMM-U-86-D60-80P-102								★ 2155875			EAMM-U-86-D60-80P-102	
EAMM-U-86-D60-80P-102-S1								2156527			EAMM-U-86-D60-80P-102-S1	
EAMM-U-86-D60-80PB-102								8107722			EAMM-U-86-D60-80PB-102	
EAMM-U-86-D60-82AA-102								8058992			EAMM-U-86-D60-82AA-102	
EAMM-U-86-D60-84AA-102								8058993			EAMM-U-86-D60-84AA-102	
EAMM-U-86-D60-87A-102								★ 1215784			EAMM-U-86-D60-87A-102	
EAMM-U-86-D60-87A-102-S1	1215810	EAMM-U-86-D60-87A-102-S1										

# Datasheet

## Dimensions and ordering data

Download CAD data → [www.festo.com](http://www.festo.com)

ESBF-BS...



Main illustration:

- [1] Parallel kit
- [2] Electric cylinder
- [3] Motor
- [4] Interface for mounting accessories
- [5] Only with EAMM-U-...-S1 (with degree of protection IP65)

Type	B1	B2	D1	H1	H2 ±1	H3	H4	L1	L2	T1	Part no.	Type
EAMM-U-110-D50-60G-120	110	46.5	M8	225	120	45	46.5	82	8	16	2797368	EAMM-U-110-D50-60G-120
EAMM-U-110-D50-60G-120-S1									8.5		2798665	EAMM-U-110-D50-60G-120-S1
EAMM-U-110-D50-60H-120									8		2798760	EAMM-U-110-D50-60H-120
EAMM-U-110-D50-60H-120-S1									8.5		2799150	EAMM-U-110-D50-60H-120-S1
EAMM-U-110-D50-80G-120									10		2799196	EAMM-U-110-D50-80G-120
EAMM-U-110-D50-80G-120-S1									10.5		2799281	EAMM-U-110-D50-80G-120-S1
EAMM-U-110-D50-84AA-120									-		8107241	EAMM-U-110-D50-84AA-120
EAMM-U-110-D50-100A-120									-		★ 2799424	EAMM-U-110-D50-100A-120
EAMM-U-110-D50-100A-120-S1									-		2799488	EAMM-U-110-D50-100A-120-S1
EAMM-U-110-D50-120GA-120									-		8059040	EAMM-U-110-D50-120GA-120
EAMM-U-110-D60-60G-120	110	56.5	M8	225	120	45	56.5	82	8	16	1543240	EAMM-U-110-D60-60G-120
EAMM-U-110-D60-60G-120-S1									8.5		1436183	EAMM-U-110-D60-60G-120-S1
EAMM-U-110-D60-60H-120									8		1542264	EAMM-U-110-D60-60H-120
EAMM-U-110-D60-60H-120-S1									8.5		1530621	EAMM-U-110-D60-60H-120-S1
EAMM-U-110-D60-80G-120									10		1532949	EAMM-U-110-D60-80G-120
EAMM-U-110-D60-80G-120-S1									10.5		1530875	EAMM-U-110-D60-80G-120-S1
EAMM-U-110-D60-84AA-120									-		8059043	EAMM-U-110-D60-84AA-120
EAMM-U-110-D60-88A-120									-		8059044	EAMM-U-110-D60-88A-120
EAMM-U-110-D60-90GA-120									16.5		8107723	EAMM-U-110-D60-90GA-120
EAMM-U-110-D60-100A-120									-		★ 1202436	EAMM-U-110-D60-100A-120
EAMM-U-110-D60-100A-120-S1									-		1203112	EAMM-U-110-D60-100A-120-S1
EAMM-U-110-D60-120GA-120									-		8059046	EAMM-U-110-D60-120GA-120

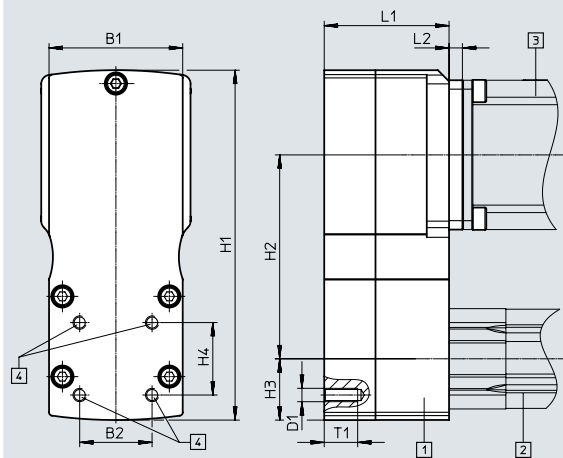


# Datasheet

## Dimensions and ordering data

Download CAD data → [www.festo.com](http://www.festo.com)

ESBF-BS...



Main illustration:

- [1] Parallel kit
- [2] Electric cylinder
- [3] Motor
- [4] Interface for mounting accessories
- [5] Only with EAMM-U-...-S1 (with degree of protection IP65)

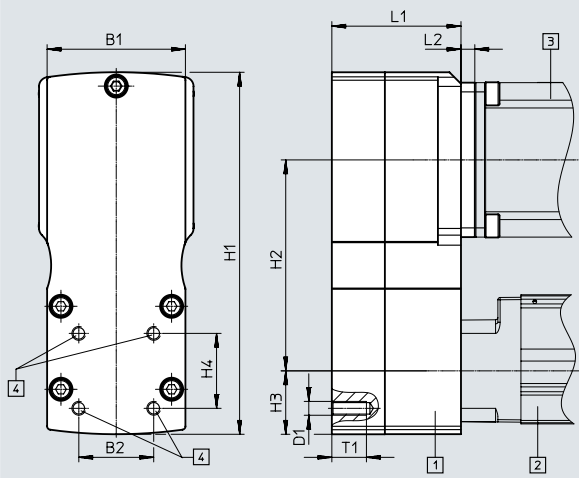
Type	B1	B2	D1	H1	H2 ±1	H3	H4	L1	L2	T1	Part no.	Type
EAMM-U-110-D80-80G-120	110	72	M10	235	120	55	72	82	10	20.5	1589614	EAMM-U-110-D80-80G-120
10.5									1589706		EAMM-U-110-D80-80G-120-S1	
-									8059048	EAMM-U-110-D80-84AA-120		
									1465438	EAMM-U-110-D80-100A-120		
									1433650	EAMM-U-110-D80-100A-120-S1		
									8059050	EAMM-U-110-D80-120GA-120		
EAMM-U-145-D80-90GA-188	145	72	M10	348	188	70	72	99.5	15	25	8105897	EAMM-U-145-D80-90GA-188
8059069									EAMM-U-145-D80-126AA-188			
-									1465530	EAMM-U-145-D80-140A-188		
									1433709	EAMM-U-145-D80-140A-188-S1		
									8157285	EAMM-U-145-D80-150A-188		
									8157286	EAMM-U-145-D80-150A-188-S1		
EAMM-U-145-D100-120G-188	145	89	M10	348	188	70	89	99.5	14	25	2803620	EAMM-U-145-D100-120G-188
14.5									2803622		EAMM-U-145-D100-120G-188-S1	
-									1465541	EAMM-U-145-D100-140A-188		
									1433852	EAMM-U-145-D100-140A-188-S1		
									8157283	EAMM-U-145-D100-150A-188		
									8157284	EAMM-U-145-D100-150A-188-S1		

Datasheet

Dimensions and ordering data

Download CAD data → [www.festo.com](http://www.festo.com)

EGSL...



Main illustration:

- [1] Parallel kit
- [2] Mini slide
- [3] Motor
- [4] Interface for mounting accessories

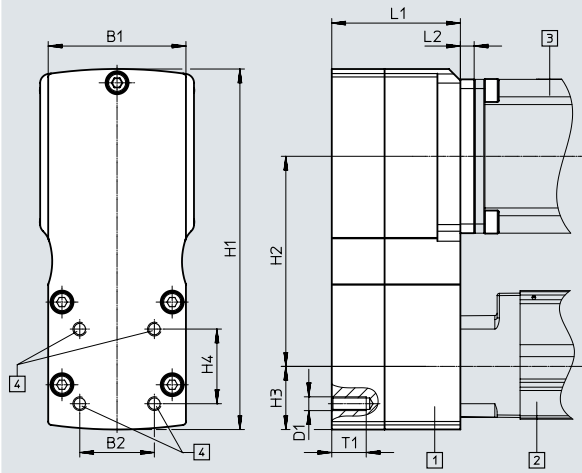
Type	B1	B2	D1	H1	H2 ±1	H3	H4	L1	L2	T1	Part no.	Type										
EAMM-U-50-D19-38AA-78	50	32.5	M6	128.8	78	22.8	32.5	45	-	15	8107032	EAMM-U-50-D19-38AA-78										
EAMM-U-50-D19-40R-78											8107034	EAMM-U-50-D19-40R-78										
EAMM-U-50-D32-32B-78											1570862	EAMM-U-50-D32-32B-78										
EAMM-U-50-D32-38AA-78											8058924	EAMM-U-50-D32-38AA-78										
EAMM-U-50-D32-40RA-78											8058925	EAMM-U-50-D32-40RA-78										
EAMM-U-50-D32-40A-78											1201591	EAMM-U-50-D32-40A-78										
EAMM-U-50-D32-40A-78-S1											1202302	EAMM-U-50-D32-40A-78-S1										
EAMM-U-50-D32-40P-48											8164734	EAMM-U-50-D32-40P-48										
EAMM-U-50-D32-40P-78											★ 2153283	EAMM-U-50-D32-40P-78										
EAMM-U-50-D32-40P-78-S1											2154009	EAMM-U-50-D32-40P-78-S1										
EAMM-U-50-D32-42A-78											★ 1201607	EAMM-U-50-D32-42A-78										
EAMM-U-50-D32-42A-78-S1											1202312	EAMM-U-50-D32-42A-78-S1										
EAMM-U-60-D32-40G-91											60	32.5	M6	157	91.5	27.5	32.5	56	-	15	1577358	EAMM-U-60-D32-40G-91
EAMM-U-60-D32-40G-91-S1																					1577346	EAMM-U-60-D32-40G-91-S1
EAMM-U-60-D32-55A-91	1210126	EAMM-U-60-D32-55A-91																				
EAMM-U-60-D32-55A-91-S1	1210450	EAMM-U-60-D32-55A-91-S1																				
EAMM-U-60-D32-57A-91	★ 1210419	EAMM-U-60-D32-57A-91																				
EAMM-U-60-D32-57A-91-S1	1210453	EAMM-U-60-D32-57A-91-S1																				
EAMM-U-60-D32-57AC-91	8058929	EAMM-U-60-D32-57AC-91																				
EAMM-U-60-D32-58AA-91	8058930	EAMM-U-60-D32-58AA-91																				
EAMM-U-60-D32-60RB-91	8058932	EAMM-U-60-D32-60RB-91																				
EAMM-U-60-D32-60AA-91	8123498	EAMM-U-60-D32-60AA-91																				
EAMM-U-60-D32-60P-91	8125069	EAMM-U-60-D32-60P-91																				
EAMM-U-60-D32-60RA-91	8123497	EAMM-U-60-D32-60RA-91																				
EAMM-U-60-D40-40G-91	1577165	EAMM-U-60-D40-40G-91																				
EAMM-U-60-D40-40G-91-S1	1435968	EAMM-U-60-D40-40G-91-S1																				
EAMM-U-60-D40-40R-91	8058934	EAMM-U-60-D40-40R-91																				
EAMM-U-60-D40-50GA-91	8058935	EAMM-U-60-D40-50GA-91																				
EAMM-U-60-D40-55A-91	1210438	EAMM-U-60-D40-55A-91																				
EAMM-U-60-D40-55A-91-S1	1210458	EAMM-U-60-D40-55A-91-S1																				

Datasheet

Dimensions and ordering data

Download CAD data → [www.festo.com](http://www.festo.com)

EGSL...



Main illustration:

- [1] Parallel kit
- [2] Mini slide
- [3] Motor
- [4] Interface for mounting accessories

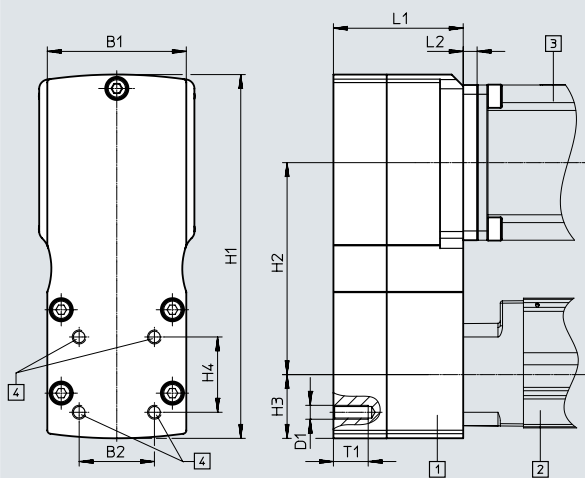
Type	B1	B2	D1	H1	H2 ±1	H3	H4	L1	L2	T1	Part no.	Type								
EAMM-U-60-D40-57A-91	60	38	M6	157	91.5	27.5	38	56	-	15	★ 1210442	EAMM-U-60-D40-57A-91								
EAMM-U-60-D40-57A-91-S1											1210462	EAMM-U-60-D40-57A-91-S1								
EAMM-U-60-D40-57AC-91											8058939	EAMM-U-60-D40-57AC-91								
EAMM-U-60-D40-58AA-91											8058940	EAMM-U-60-D40-58AA-91								
EAMM-U-60-D40-60P-61											8164735	EAMM-U-60-D40-60P-61								
EAMM-U-60-D40-60R-91											1210446	EAMM-U-60-D40-60R-91								
EAMM-U-70-D32-60G-96	70	32.5	M6	173.5	96	34.5	32.5	64.5	8	15	2748181	EAMM-U-70-D32-60G-96								
EAMM-U-70-D32-60G-96-S1									8.5		2778302	EAMM-U-70-D32-60G-96-S1								
EAMM-U-70-D32-60H-96									8		2778393	EAMM-U-70-D32-60H-96								
EAMM-U-70-D32-60H-96-S1									8.5		2781450	EAMM-U-70-D32-60H-96-S1								
EAMM-U-70-D32-60P-96									-		★ 2619586	EAMM-U-70-D32-60P-96								
EAMM-U-70-D32-60P-96-S1											2619688	EAMM-U-70-D32-60P-96-S1								
EAMM-U-70-D32-68GA-96											8058951	EAMM-U-70-D32-68GA-96								
EAMM-U-70-D32-70A-96											2755565	EAMM-U-70-D32-70A-96								
EAMM-U-70-D32-70A-96-S1											2781711	EAMM-U-70-D32-70A-96-S1								
EAMM-U-70-D32-70AA-96											8123499	EAMM-U-70-D32-70AA-96								
EAMM-U-70-D40-60G-96									38		-	M6	173.5	96	34.5	38	8	15	2785471	EAMM-U-70-D40-60G-96
EAMM-U-70-D40-60G-96-S1																	8.5		2785542	EAMM-U-70-D40-60G-96-S1
EAMM-U-70-D40-60H-96	8	2786101	EAMM-U-70-D40-60H-96																	
EAMM-U-70-D40-60H-96-S1	8.5	2786137	EAMM-U-70-D40-60H-96-S1																	
EAMM-U-70-D40-60P-96	-	★ 2617488	EAMM-U-70-D40-60P-96																	
EAMM-U-70-D40-60P-96-S1		2546123	EAMM-U-70-D40-60P-96-S1																	
EAMM-U-70-D40-60RA-96		8058952	EAMM-U-70-D40-60RA-96																	
EAMM-U-70-D40-68GA-96		17	8058954	EAMM-U-70-D40-68GA-96																
EAMM-U-70-D40-70A-96	-	-	M6	173.5	96	34.5	38	-		15							2786204		EAMM-U-70-D40-70A-96	
EAMM-U-70-D40-70A-96-S1																	2786316		EAMM-U-70-D40-70A-96-S1	

# Datasheet

## Dimensions and ordering data

Download CAD data → [www.festo.com](http://www.festo.com)

EGSL...



Main illustration:

- [1] Parallel kit
- [2] Mini slide
- [3] Motor
- [4] Interface for mounting accessories

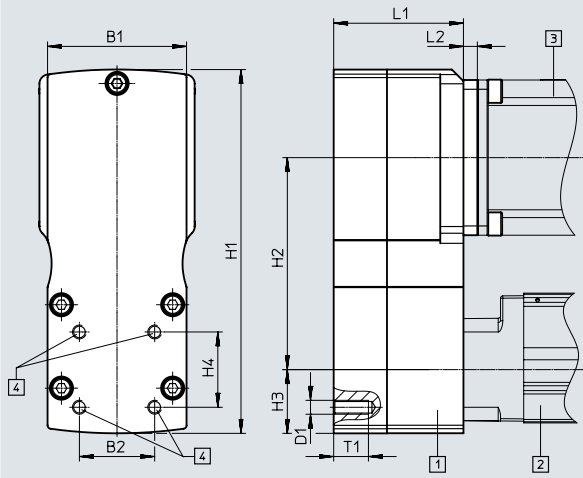
Type	B1	B2	D1	H1	H2 ±1	H3	H4	L1	L2	T1	Part no.	Type
EAMM-U-86-D40-60G-102	86	38	M6	188.5	102.5	38	38	69	8	16	1586445	EAMM-U-86-D40-60G-102
EAMM-U-86-D40-60G-102-S1									8.5		1586429	EAMM-U-86-D40-60G-102-S1
EAMM-U-86-D40-60H-102									8		1586496	EAMM-U-86-D40-60H-102
EAMM-U-86-D40-60H-102-S1									8.5		1586372	EAMM-U-86-D40-60H-102-S1
EAMM-U-86-D40-60PA-102									8058972		EAMM-U-86-D40-60PA-102	
EAMM-U-86-D40-70A-102									1212826		EAMM-U-86-D40-70A-102	
EAMM-U-86-D40-70A-102-S1									1212854		EAMM-U-86-D40-70A-102-S1	
EAMM-U-86-D40-70AA-102									8058973		EAMM-U-86-D40-70AA-102	
EAMM-U-86-D40-80P-102									★ 2802441		EAMM-U-86-D40-80P-102	
EAMM-U-86-D40-80P-102-S1									2802656		EAMM-U-86-D40-80P-102-S1	
EAMM-U-86-D40-80PB-102									2		8123501	EAMM-U-86-D40-80PB-102
EAMM-U-86-D40-82AA-102									-		8058975	EAMM-U-86-D40-82AA-102
EAMM-U-86-D40-84AA-102									10.5		8058976	EAMM-U-86-D40-84AA-102
EAMM-U-86-D40-87A-102									-		★ 1215802	EAMM-U-86-D40-87A-102
EAMM-U-86-D40-87A-102-S1									1215814		EAMM-U-86-D40-87A-102-S1	
EAMM-U-86-D60-55A-102									86		56.5	M8
EAMM-U-86-D60-57AA-102	-	8058980	EAMM-U-86-D60-57AA-102									
EAMM-U-86-D60-58AA-102	8058981	EAMM-U-86-D60-58AA-102										
EAMM-U-86-D60-60G-102	8	1586347	EAMM-U-86-D60-60G-102									
EAMM-U-86-D60-60G-102-S1	8.5	1437163	EAMM-U-86-D60-60G-102-S1									
EAMM-U-86-D60-60H-102	8	1586276	EAMM-U-86-D60-60H-102									
EAMM-U-86-D60-60H-102-S1	8.5	1530837	EAMM-U-86-D60-60H-102-S1									
EAMM-U-86-D60-60P-102	8058982	EAMM-U-86-D60-60P-102										
EAMM-U-86-D60-60PA-102	8058983	EAMM-U-86-D60-60PA-102										
EAMM-U-86-D60-60RB-102	8058986	EAMM-U-86-D60-60RB-102										
EAMM-U-86-D60-70A-102	-	1212477	EAMM-U-86-D60-70A-102									
EAMM-U-86-D60-70A-102-S1	1212835	EAMM-U-86-D60-70A-102-S1										
EAMM-U-86-D60-70AA-102	8058988	EAMM-U-86-D60-70AA-102										
EAMM-U-86-D60-70GA-102	8	8058990	EAMM-U-86-D60-70GA-102									

Datasheet

Dimensions and ordering data

Download CAD data → [www.festo.com](http://www.festo.com)

EGSL-...



Main illustration:

- [1] Parallel kit
- [2] Mini slide
- [3] Motor
- [4] Interface for mounting accessories

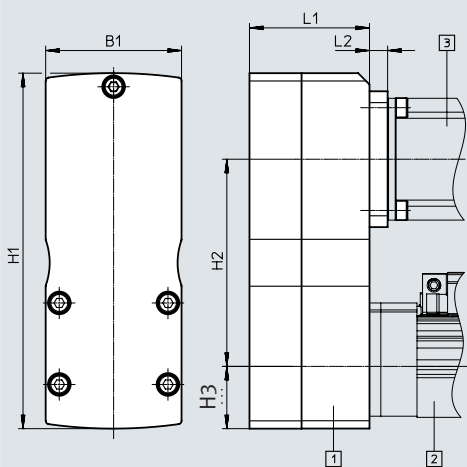
Type	B1	B2	D1	H1	H2 ±1	H3	H4	L1	L2	T1	Part no.	Type
EAMM-U-86-D60-80P-102	86	56.5	M8	188.5	102.5	38	56.5	71	-	16	★ 2155875	EAMM-U-86-D60-80P-102
EAMM-U-86-D60-80P-102-S1											2156527	EAMM-U-86-D60-80P-102-S1
EAMM-U-86-D60-80PB-102											8107722	EAMM-U-86-D60-80PB-102
EAMM-U-86-D60-82AA-102											8058992	EAMM-U-86-D60-82AA-102
EAMM-U-86-D60-84AA-102											8058993	EAMM-U-86-D60-84AA-102
EAMM-U-86-D60-87A-102											★ 1215784	EAMM-U-86-D60-87A-102
EAMM-U-86-D60-87A-102-S1											1215810	EAMM-U-86-D60-87A-102-S1
EAMM-U-110-D60-60G-120	110	56.5	M8	225	120	45	56.5	82	8	16	1543240	EAMM-U-110-D60-60G-120
EAMM-U-110-D60-60G-120-S1									8.5		1436183	EAMM-U-110-D60-60G-120-S1
EAMM-U-110-D60-60H-120									8		1542264	EAMM-U-110-D60-60H-120
EAMM-U-110-D60-60H-120-S1									8.5		1530621	EAMM-U-110-D60-60H-120-S1
EAMM-U-110-D60-62B-120									-		1536988	EAMM-U-110-D60-62B-120
EAMM-U-110-D60-62B-120-S1									-		1431443	EAMM-U-110-D60-62B-120-S1
EAMM-U-110-D60-80G-120									10		1532949	EAMM-U-110-D60-80G-120
EAMM-U-110-D60-80G-120-S1									10.5		1530875	EAMM-U-110-D60-80G-120-S1
EAMM-U-110-D60-84AA-120									-		8059043	EAMM-U-110-D60-84AA-120
EAMM-U-110-D60-88A-120									-		8059044	EAMM-U-110-D60-88A-120
EAMM-U-110-D60-90GA-120									16.5		8107723	EAMM-U-110-D60-90GA-120
EAMM-U-110-D60-100A-120									-		★ 1202436	EAMM-U-110-D60-100A-120
EAMM-U-110-D60-100A-120-S1									-		1203112	EAMM-U-110-D60-100A-120-S1
EAMM-U-110-D60-120GA-120									-		8059046	EAMM-U-110-D60-120GA-120

Datasheet

Dimensions and ordering data

Download CAD data → [www.festo.com](http://www.festo.com)

ELGA-BS/EGC-BS/EGC-HD-BS



Main illustration:  
 [1] Parallel kit  
 [2] Ball screw axis  
 [3] Motor

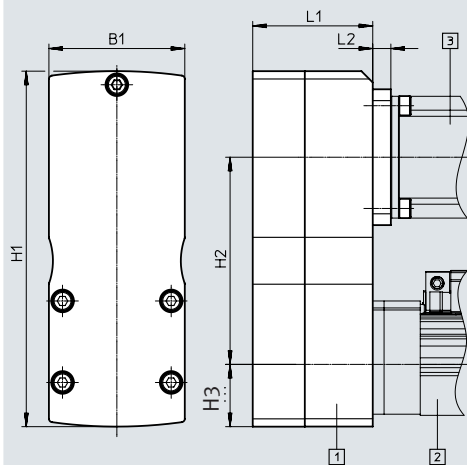
Type	B1	H1	H2 ±1	H3	L1	L2	Part no.	Type					
EAMM-U-50-S38-38AA-78	50	131	78	25	45	–	8058926	EAMM-U-50-S38-38AA-78					
EAMM-U-50-S38-40A-78	50	131	78	25	43	–	1217708	EAMM-U-50-S38-40A-78					
★ 2155239							EAMM-U-50-S38-40P-78						
★ 1217945							EAMM-U-50-S38-42A-78						
EAMM-U-60-S38-40G-91	60	157	91.5	27.5	53	8	2283732	EAMM-U-60-S38-40G-91					
EAMM-U-60-S38-40R-91						–	8058943	EAMM-U-60-S38-40R-91					
EAMM-U-60-S38-50GA-91						15.5	8107724	EAMM-U-60-S38-50GA-91					
EAMM-U-60-S38-55A-91						–	1218538	EAMM-U-60-S38-55A-91					
EAMM-U-60-S38-57A-91						–	★ 1218568	EAMM-U-60-S38-57A-91					
EAMM-U-60-S38-57AC-91						–	8058946	EAMM-U-60-S38-57AC-91					
EAMM-U-60-S38-58AA-91						–	8058947	EAMM-U-60-S38-58AA-91					
EAMM-U-60-S38-60P-91						7	8125092	EAMM-U-60-S38-60P-91					
EAMM-U-60-S38-60RA-91						–	8058948	EAMM-U-60-S38-60RA-91					
EAMM-U-60-S48-40G-91						60	161.5	91.5	32	54	8	2283760	EAMM-U-60-S48-40G-91
EAMM-U-60-S48-40R-91											–	8058949	EAMM-U-60-S48-40R-91
EAMM-U-60-S48-50GA-91											14.5	8105900	EAMM-U-60-S48-50GA-91
EAMM-U-60-S48-55A-91											–	1219370	EAMM-U-60-S48-55A-91
EAMM-U-60-S48-57A-91	–	★ 1219379	EAMM-U-60-S48-57A-91										
EAMM-U-60-S48-58AA-91	–	8058950	EAMM-U-60-S48-58AA-91										
EAMM-U-60-S48-60AA-91	8	8105898	EAMM-U-60-S48-60AA-91										
EAMM-U-70-S48-60G-96	70	173.5	96	34.5	64.5						8	2801627	EAMM-U-70-S48-60G-96
EAMM-U-70-S48-60H-96						8	2801715	EAMM-U-70-S48-60H-96					
EAMM-U-70-S48-60P-96						–	★ 2629253	EAMM-U-70-S48-60P-96					
EAMM-U-70-S48-60R-96						8	8105843	EAMM-U-70-S48-60R-96					
EAMM-U-70-S48-60RA-96						–	8058969	EAMM-U-70-S48-60RA-96					
EAMM-U-70-S48-70A-96						–	2787320	EAMM-U-70-S48-70A-96					
EAMM-U-70-S48-70AB-96						–	8058970	EAMM-U-70-S48-70AB-96					

## Datasheet

## Dimensions and ordering data

Download CAD data → [www.festo.com](http://www.festo.com)

ELGA-BS/EGC-BS/EGC-HD-BS



Main illustration:

- [1] Parallel kit
- [2] Ball screw axis
- [3] Motor

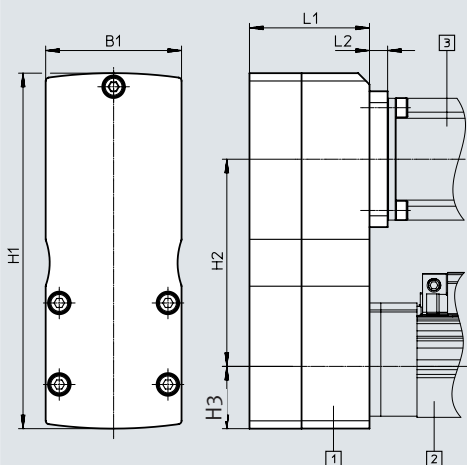
Type	B1	H1	H2 ±1	H3	L1	L2	Part no.	Type	
EAMM-U-86-S48-58AA-102	86	188.5	102.5	38	67	–	8058995	EAMM-U-86-S48-58AA-102	
EAMM-U-86-S48-60G-102						8	1587251	EAMM-U-86-S48-60G-102	
EAMM-U-86-S48-60H-102						8	1587338	EAMM-U-86-S48-60H-102	
EAMM-U-86-S48-60P-102						–	8058996	EAMM-U-86-S48-60P-102	
EAMM-U-86-S48-60RB-102							8058997	EAMM-U-86-S48-60RB-102	
EAMM-U-86-S48-70A-102							1217689	EAMM-U-86-S48-70A-102	
EAMM-U-86-S48-70AA-102							8058999	EAMM-U-86-S48-70AA-102	
EAMM-U-86-S48-70GA-102							8	8059000	EAMM-U-86-S48-70GA-102
EAMM-U-86-S48-82AA-102						–	8059002	EAMM-U-86-S48-82AA-102	
EAMM-U-86-S48-84AA-102						87	10.5	8059003	EAMM-U-86-S48-84AA-102
EAMM-U-86-S48-87A-102						86	–	8059004	EAMM-U-86-S48-87A-102
EAMM-U-86-S48-58AA-177	86	268.5	177.5	43	67	–	8059008	EAMM-U-86-S48-58AA-177	
EAMM-U-86-S48-60G-177						8	8059009	EAMM-U-86-S48-60G-177	
EAMM-U-86-S48-60P-177						–	8059011	EAMM-U-86-S48-60P-177	
EAMM-U-86-S48-60PA-177							8059012	EAMM-U-86-S48-60PA-177	
EAMM-U-86-S48-60RB-177							8059014	EAMM-U-86-S48-60RB-177	
EAMM-U-86-S48-70A-177							8059016	EAMM-U-86-S48-70A-177	
EAMM-U-86-S48-70AA-177							8059017	EAMM-U-86-S48-70AA-177	
EAMM-U-86-S48-70AB-177						8059018	EAMM-U-86-S48-70AB-177		
EAMM-U-86-S48-70GA-177						8	8059019	EAMM-U-86-S48-70GA-177	
EAMM-U-86-S48-82AA-177						–	8059021	EAMM-U-86-S48-82AA-177	
EAMM-U-86-S48-84AA-177						96	10.5	8059022	EAMM-U-86-S48-84AA-177
EAMM-U-86-S48-87A-177						86	–	★ 1217604	EAMM-U-86-S48-87A-177

# Datasheet

## Dimensions and ordering data

Download CAD data → [www.festo.com](http://www.festo.com)

ELGA-BS/EGC-BS/EGC-HD-BS



Main illustration:

- [1] Parallel kit
- [2] Ball screw axis
- [3] Motor

Type	B1	H1	H2 ±1	H3	L1	L2	Part no.	Type					
EAMM-U-86-S62-60PA-102	86	193.5	102.5	43	69	-	8059026	EAMM-U-86-S62-60PA-102					
EAMM-U-86-S62-70A-102							8059027	EAMM-U-86-S62-70A-102					
EAMM-U-86-S62-70AA-102							8059028	EAMM-U-86-S62-70AA-102					
EAMM-U-86-S62-82AA-102							8059031	EAMM-U-86-S62-82AA-102					
EAMM-U-86-S62-87A-102							8059032	EAMM-U-86-S62-87A-102					
EAMM-U-86-S62-55A-177	86	268.5	177.5	43	69	-	8059033	EAMM-U-86-S62-55A-177					
EAMM-U-86-S62-60G-177						8	1587411	EAMM-U-86-S62-60G-177					
EAMM-U-86-S62-60H-177						8	1587453	EAMM-U-86-S62-60H-177					
EAMM-U-86-S62-60PA-177						-	8059034	EAMM-U-86-S62-60PA-177					
EAMM-U-86-S62-70A-177							1217543	EAMM-U-86-S62-70A-177					
EAMM-U-86-S62-70AA-177							8059036	EAMM-U-86-S62-70AA-177					
EAMM-U-86-S62-70GA-177						14.5	8105902	EAMM-U-86-S62-70GA-177					
EAMM-U-86-S62-80P-177						-	★ 2157004	EAMM-U-86-S62-80P-177					
EAMM-U-86-S62-80PB-177						2	8105905	EAMM-U-86-S62-80PB-177					
EAMM-U-86-S62-82AA-177						-	8059038	EAMM-U-86-S62-82AA-177					
EAMM-U-86-S62-87A-177							★ 1217373	EAMM-U-86-S62-87A-177					
EAMM-U-110-S62-84AA-120						110	235	120	55	82	-	8059051	EAMM-U-110-S62-84AA-120
EAMM-U-110-S62-88A-120												8059052	EAMM-U-110-S62-88A-120
EAMM-U-110-S62-84AA-207						110	322.5	207.5	55	82	-	8059057	EAMM-U-110-S62-84AA-207
EAMM-U-110-S62-88A-207	8059058	EAMM-U-110-S62-88A-207											
EAMM-U-110-S62-100A-207	★ 1217381	EAMM-U-110-S62-100A-207											
EAMM-U-110-S95-80G-207	10	1589544	EAMM-U-110-S95-80G-207										
EAMM-U-110-S95-84AA-207	-	8059063	EAMM-U-110-S95-84AA-207										
EAMM-U-110-S95-90GA-207	16.5	8105907	EAMM-U-110-S95-90GA-207										
EAMM-U-110-S95-100A-207	-	1220656	EAMM-U-110-S95-100A-207										
EAMM-U-145-S62-126AA-288	145	448	288	70	99.5	-	8059073	EAMM-U-145-S62-126AA-288					
EAMM-U-145-S62-140A-288							1219440	EAMM-U-145-S62-140A-288					
EAMM-U-145-S62-150A-288							8157287	EAMM-U-145-S62-150A-288					
EAMM-U-145-S95-140A-288							1220582	EAMM-U-145-S95-140A-288					
EAMM-U-145-S95-150A-288							8157288	EAMM-U-145-S95-150A-288					



## Accessories

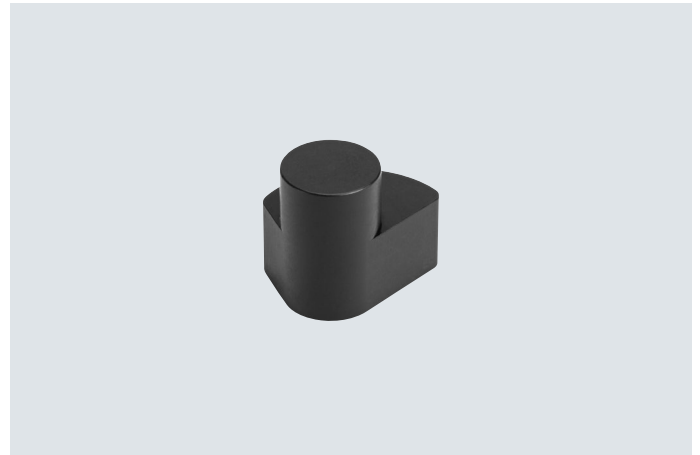
### Clamping component EADT

Material:  
Polymer  
RoHS-compliant

For adjusting the toothed belt pre-tension with EAMM-U-110 and EAMM-U-145.

The motor is pushed away from the axis mechanism by turning the clamping component secured in a hole in the housing (the motor can be moved in a slot for this purpose).

This enables high toothed belt pretension forces to be generated with low torques at the clamping component. Can only be used in combination with parallel kit EAMM-U-...-D/S.



### Ordering data

Type	Ambient temperature [°C]	Weight [g]	Part no.	Type
EADT-E-U1-110	-10 ... +60	9	<b>1461069</b>	<b>EADT-E-U1-110</b>

## Accessories

### Counter bearing EAMG

Material:

Wrought aluminium alloy

RoHS-compliant

Can only be used in combination with parallel kit EAMM-U-...-D/S.



A counter bearing EAMG reduces the load on the axis or motor bearings to improve the service life under high loads. For every counter bearing, an additional clamping sleeve EAMH-...-P is required.

### Ordering data

Type	For size	Max. speed [rpm]	Ambient temperature [°C]	Weight [g]	Part no.	Type
EAMG-U1-50	50	6000	-10 ... +60	20	<a href="#">1354281</a>	<b>EAMG-U1-50</b>
EAMG-U1-60-G2	60	6000		35	<a href="#">4164963</a>	<b>EAMG-U1-60-G2</b>
EAMG-U1-70	70	5000		74	<a href="#">2598638</a>	<b>EAMG-U1-70</b>
EAMG-U1-86	86	5000		83	<a href="#">1354283</a>	<b>EAMG-U1-86</b>
EAMG-U1-110	110	5000		169	<a href="#">1354284</a>	<b>EAMG-U1-110</b>
EAMG-U1-145	145	4000		186	<a href="#">1354285</a>	<b>EAMG-U1-145</b>

## Accessories

### Clamping sleeve EAMH-...-P, with trunnion

Material:

Corrosion-resistant steel

RoHS-compliant

To retrofit the counter bearing, the clamping sleeve without trunnion included in the parallel kit as standard must be replaced by the clamping sleeve EAMH-...-P with integrated trunnion. The appropriate clamping sleeve size for the counter bearing is determined by the size of the parallel kit.

Can only be used in combination with parallel kit EAMM-U-...-D/S.



Ordering data								
Type	For size	For shaft diameter, motor/axis ø h7 ... k7	Max. speed [rpm]	Mass moment of inertia [kg mm <sup>2</sup> ]	Ambient temperature [°C]	Weight [g]	Part no.	Type
EAMH-50-5-C13.6-P	50	5	6000	0.39	-10 ... +60	20	1354092	EAMH-50-5-C13.6-P
EAMH-50-6-C13.6-P	50	6	6000	0.38		19	1354093	EAMH-50-6-C13.6-P
EAMH-50-8-C13.6-P	50	8	6000	0.35		16	1354094	EAMH-50-8-C13.6-P
EAMH-60-6-C18.1-P	60	6	6000	1.57		44	1354095	EAMH-60-6-C18.1-P
EAMH-60-6.35-C18.1-P	60	6.35	6000	1.56		43	1354096	EAMH-60-6.35-C18.1-P
EAMH-60-8-C18.1-P	60	8	6000	1.53		41	1354097	EAMH-60-8-C18.1-P
EAMH-60-9-C18.1-P	60	9	6000	1.5		39	1354098	EAMH-60-9-C18.1-P
EAMH-60-10-C18.1-P	60	10	6000	1.4		38	1545242	EAMH-60-10-C18.1-P
EAMH-60-11-C18.1-P	60	11	6000	1.31		35	2789343	EAMH-60-11-C18.1-P
EAMH-60-12-C18.1-P	60	12	6000	1.3		32	1354099	EAMH-60-12-C18.1-P
EAMH-86-6-C27.3-P	70, 86	6	5000	12.3		123	2789351	EAMH-86-6-C27.3-P
EAMH-86-8-C27.3-P	70, 86	8	5000	10.3		128	1354100	EAMH-86-8-C27.3-P
EAMH-86-9-C27.3-P	70, 86	9	5000	9		117	2789359	EAMH-86-9-C27.3-P
EAMH-86-10-C27.3-P	70, 86	10	5000	9		115	2789365	EAMH-86-10-C27.3-P
EAMH-86-11-C27.3-P	70, 86	11	5000	10.1		119	1354101	EAMH-86-11-C27.3-P
EAMH-86-12-C27.3-P	70, 86	12	5000	10		115	1354102	EAMH-86-12-C27.3-P
EAMH-86-14-C27.3-P	70, 86	14	5000	8.74		103	1459337	EAMH-86-14-C27.3-P
EAMH-86-16-C27.3-P	70, 86	16	5000	8.3		95	2430402	EAMH-86-16-C27.3-P
EAMH-86-19-C27.3-P	70, 86	19	5000	7.1		78	2406019	EAMH-86-19-C27.3-P
EAMH-110-11-C34-P	110	11	5000	33.2		270	1545245	EAMH-110-11-C34-P
EAMH-110-12-C34-P	110	12	5000	36.3		278	1354103	EAMH-110-12-C34-P
EAMH-110-14-C34-P	110	14	5000	35.8		267	1354104	EAMH-110-14-C34-P
EAMH-110-16-C34-P	110	16	5000	35.1		254	1354105	EAMH-110-16-C34-P
EAMH-110-19-C34-P	110	19	5000	33.3		230	1354106	EAMH-110-19-C34-P
EAMH-110-20-C34-P	110	20	5000	30.2		217	1545246	EAMH-110-20-C34-P
EAMH-110-22-C34-P	110	22	5000	28.3		200	2430414	EAMH-110-22-C34-P
EAMH-110-25-C34-P	110	25	5000	25.8		170	1354107	EAMH-110-25-C34-P
EAMH-145-12-C34-P	145	12	4000	43.9		338	1354108	EAMH-145-12-C34-P
EAMH-145-19-C34-P	145	19	4000	38		281	1459342	EAMH-145-19-C34-P
EAMH-145-22-C34-P	145	22	4000	35.1		252	8098589	EAMH-145-22-C34-P
EAMH-145-24-C34-P	145	24	4000	34		229	1354109	EAMH-145-24-C34-P
EAMH-145-25-C34-P	145	25	4000	32.1		217	1354110	EAMH-145-25-C34-P

## Accessories

### Clamping sleeve EAMH, without trunnion

Material:

Corrosion-resistant steel

RoHS-compliant

Clamping sleeves for adapting third-party motors with deviating shaft diameters to the parallel kits.

Can only be used in combination with parallel kit EAMM-U-...-D/S.



Ordering data								
Type	For size	For shaft diameter, motor/axis ø h7 ... k7	Max. speed [rpm]	Mass moment of inertia [kg mm <sup>2</sup> ]	Ambient temperature [°C]	Weight [g]	Part no.	Type
EAMH-50-5-C13.6	50	5	6000	0.44	-10 ... +60	19	2428478	EAMH-50-5-C13.6
EAMH-50-6-C13.6	50	6	6000	0.43		19	2428479	EAMH-50-6-C13.6
EAMH-50-8-C13.6	50	8	6000	0.40		16	2428480	EAMH-50-8-C13.6
EAMH-60-6-C18.1	60	6	6000	1.46		36	2428515	EAMH-60-6-C18.1
EAMH-60-6.35-C18.1	60	6.35	6000	1.46		36	2428516	EAMH-60-6.35-C18.1
EAMH-60-8-C18.1	60	8	6000	1.44		34	2428517	EAMH-60-8-C18.1
EAMH-60-9-C18.1	60	9	6000	1.42		32	2428518	EAMH-60-9-C18.1
EAMH-60-10-C18.1	60	10	6000	1.38		30	2428519	EAMH-60-10-C18.1
EAMH-60-11-C18.1	60	11	6000	1.31		28	2789160	EAMH-60-11-C18.1
EAMH-60-12-C18.1	60	12	6000	1.22		26	2428520	EAMH-60-12-C18.1
EAMH-60-14-C18.1	60	14	6000	1.03		21	8125353	EAMH-60-14-C18.1
EAMH-86-6-C27.3	70, 86	6	5000	10.2		122	2789214	EAMH-86-6-C27.3
EAMH-86-8-C27.3	70, 86	8	5000	10.3		119	2429531	EAMH-86-8-C27.3
EAMH-86-9-C27.3	70, 86	9	5000	11.6		116	2789221	EAMH-86-9-C27.3
EAMH-86-10-C27.3	70, 86	10	5000	10.1		114	2789230	EAMH-86-10-C27.3
EAMH-86-11-C27.3	70, 86	11	5000	10.2		112	2429532	EAMH-86-11-C27.3
EAMH-86-12-C27.3	70, 86	12	5000	10.1		109	2429533	EAMH-86-12-C27.3
EAMH-86-14-C27.3	70, 86	14	5000	9.9		102	2429534	EAMH-86-14-C27.3
EAMH-86-16-C27.3	70, 86	16	5000	9.5		94	2430397	EAMH-86-16-C27.3
EAMH-86-19-C27.3	70, 86	19	5000	8.2		76	2429535	EAMH-86-19-C27.3
EAMH-110-11-C34	110	11	5000	32.2		233	2429555	EAMH-110-11-C34
EAMH-110-12-C34	110	12	5000	32.1		229	2429556	EAMH-110-12-C34
EAMH-110-14-C34	110	14	5000	31.8		219	2429557	EAMH-110-14-C34
EAMH-110-16-C34	110	16	5000	31.2		208	2429558	EAMH-110-16-C34
EAMH-110-19-C34	110	19	5000	29.9		188	2429559	EAMH-110-19-C34
EAMH-110-20-C34	110	20	5000	29.2		180	2429560	EAMH-110-20-C34
EAMH-110-22-C34	110	22	5000	27.3	162	2430411	EAMH-110-22-C34	
EAMH-110-25-C34	110	25	5000	23.4	133	2429561	EAMH-110-25-C34	
EAMH-145-12-C34	145	12	4000	38.1	274	2429590	EAMH-145-12-C34	
EAMH-145-19-C34	145	19	4000	35.5	227	2429591	EAMH-145-19-C34	
EAMH-145-22-C34	145	22	4000	32.5	198	8098588	EAMH-145-22-C34	
EAMH-145-24-C34	145	24	4000	30.0	177	2429592	EAMH-145-24-C34	
EAMH-145-25-C34	145	25	4000	28.1	165	2429593	EAMH-145-25-C34	

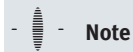
## Accessories

### Seal set

RoHS-compliant

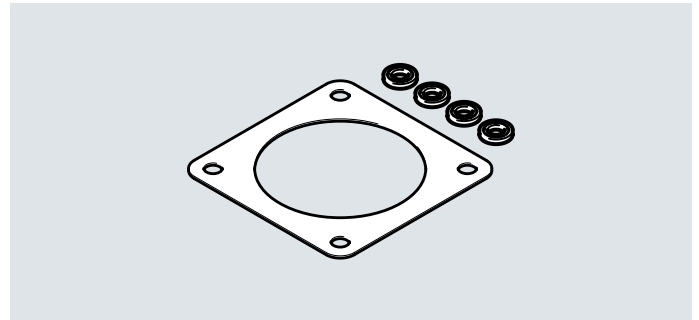
Spare part for degree of protection IP65. Seal between:

- Motor and parallel kit
- Motor and gear unit
- Motor and geometry of customer equipment



#### Note

The seal reduces the dissipation of heat between the motor and the flange. Note the derating of the motor.



Ordering data					
Type	For parallel kit	For motor/ integrated drive	Ambient temperature [°C]	Part no.	Type
EADS-F-40P	EAMM-U-50-D32-40P-78-S1	EMME-AS-40	-25 ... +60	2481475	EADS-F-40P
EADS-F-60P	EAMM-U-70-D32-60P-96-S1 EAMM-U-70-D40-60P-96-S1	EMMT-AS-60	-25 ... +60	2481479	EADS-F-60P
EADS-F-80P	EAMM-U-86-D40-80P-102-S1 EAMM-U-86-D50-80P-102-S1 EAMM-U-86-D60-80P-102-S1	EMMT-AS-80	-25 ... +60	2481481	EADS-F-80P
EADS-F-100A	EAMM-U-110-D50-100A-120-S1 EAMM-U-110-D60-100A-120-S1 EAMM-U-110-D80-100A-120-S1	EMMT-AS-100	-25 ... +60	2481483	EADS-F-100A
EADS-F-150A	EAMM-U-145-D80-150A-188-S1 EAMM-U-145-D100-150A-188-S1	EMMT-AS-150	-25 ... +60	8142124	EADS-F-150A
EADS-F-190A		EMMT-AS-190		8149823	EADS-F-190A
EADS-F-42A	EAMM-U-50-D32-42A-78-S1	EMMT-ST-42, EMMB-ST-42	-25 ... +60	2481476	EADS-F-42A
EADS-F-57A	EAMM-U-60-D32-57A-91-S1 EAMM-U-60-D40-57A-91-S1	EMMT-ST-57, EMMB-ST-57	-25 ... +60	2481478	EADS-F-57A
EADS-F-87A	EAMM-U-86-D40-87A-102-S1 EAMM-U-86-D50-87A-102-S1 EAMM-U-86-D60-87A-102-S1	EMMT-ST-87, EMMB-ST-87	-25 ... +60	2481482	EADS-F-87A

## Overview of interfaces

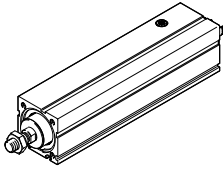


Axis mechanism interface	
V20	EPCC-25, EGSC-25
V25	EPCC-32, EGSC-32, ELGC-BS-32
V32	EPCC-45, EGSC-45, ELGC-BS-45
T42	EPCC-60, EGSC-60, ELGC-BS-60, ELGD-BS-60, ELGD-BS-WD-100
T46	ELGC-BS-80, ELGT-BS-90/-120/-160, ELGD-BS-80

Motor interface	
28A	Stepper motor EMMS-ST-28
28AA	Third-party motor
35A	Third-party motor
35AB	Third-party motor
38AA	Third-party motor
40P	Servo motor EMME-AS-40, EMMB-AS-40
40R	Third-party motor
40RA	Third-party motor
42A	Stepper motor EMMT-ST-42, EMMB-ST-42, third-party motor
42AA	Third-party motor
42AB	Third-party motor
55A	Third-party motor
57A	Stepper motor EMMT-ST-57, EMMB-ST-57, third-party motor
58AA	Third-party motor
60AA	Third-party motor
60AB	Third-party motor
60P	Servo motor EMMT-AS-60, EMMB-AS-60, third-party motor
60PA	Third-party motor
60R	Third-party motor
60RA	Third-party motor
70A	Third-party motor
70AA	Third-party motor
80P	Servo motor EMMT-AS-80, EMMB-AS-80, third-party motor
80PA	Third-party motor
80PB	Third-party motor
80RA	Third-party motor
85AA	Third-party motor
87A	Stepper motor EMMT-ST-87, EMMB-ST-87
100A	Servo motor EMMT-AS-100, third-party motor

## Product range overview

## Permissible axis/motor combinations with electric cylinder EPCC

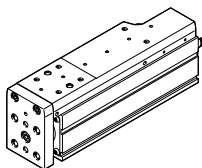


- The kit can be mounted in all directions
- Table of interfaces for third-party motors → from page 56

Motor <sup>1)</sup> Type	Motor interface	Parallel kit	
		Part no.	Type
<b>EPCC-25</b>			
<b>With stepper motor</b>			
EMMS-ST-28-...	28A	★ 4767125	EAMM-U-30-V20-28A-44
Third-party motor	28AA	8093176	EAMM-U-30-V20-28AA-44
<b>EPCC-32</b>			
<b>With servo motor</b>			
Third-party motor	38AA	8093197	EAMM-U-45-V25-38AA-63
EMME-AS-40-..., EMMB-AS-40-...	40P	★ 4782056	EAMM-U-45-V25-40P-63
Third-party motor	40R	8091655	EAMM-U-45-V25-40R-63
Third-party motor	40RA	8095513	EAMM-U-45-V25-40RA-63
<b>With stepper motor</b>			
Third-party motor	35A, 35AB	8093286	EAMM-U-38-V25-35A-63
EMMT-ST-42, EMMB-ST-42-...	42A	★ 4825645	EAMM-U-45-V25-42A-63
Third-party motor	42AB	8095562	EAMM-U-45-V25-42AB-63
<b>EPCC-45</b>			
<b>With servo motor</b>			
Third-party motor	38AA	8092623	EAMM-U-45-V32-38AA-63
EMME-AS-40-..., EMMB-AS-40-...	40P	★ 4718297	EAMM-U-45-V32-40P-63
Third-party motor	40R	8091631	EAMM-U-45-V32-40R-63
Third-party motor	40RA	8095650	EAMM-U-45-V32-40RA-63
<b>With stepper motor</b>			
EMMT-ST-42, EMMB-ST-42-...	42A	★ 4280674	EAMM-U-45-V32-42A-63
Third-party motor	42AB	8095613	EAMM-U-45-V32-42AB-63
<b>EPCC-60</b>			
<b>With servo motor</b>			
EMMT-AS-60-..., EMMB-AS-60	60P	★ 4784301	EAMM-U-65-T42-60P-87
Third-party motor	60PA	8091225	EAMM-U-65-T42-60PA-87
Third-party motor	60R	8093364	EAMM-U-65-T42-60R-87
Third-party motor	60RA	8093199	EAMM-U-65-T42-60RA-87
<b>With stepper motor</b>			
EMMT-ST-57, EMMB-ST-57-...	57A	★ 4331535	EAMM-U-65-T42-57A-87
Third-party motor	60AA	8093189	EAMM-U-65-T42-60AA-87
Third-party motor	60AB	8096187	EAMM-U-65-T42-60AB-87

## Product range overview

### Permissible axis/motor combinations with mini slide EGSC-BS



- The kit can be mounted in all directions
- Table of interfaces for third-party motors → from page 56

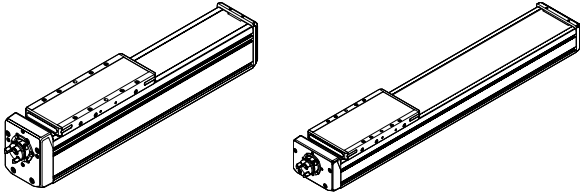
Motor <sup>1)</sup> Type	Motor interface	Parallel kit	
		Part no.	Type
<b>EGSC-25</b>			
<b>With stepper motor</b>			
EMMS-ST-28-...	28A	★ 4767125	EAMM-U-30-V20-28A-44
Third-party motor	28AA	8093176	EAMM-U-30-V20-28AA-44
<b>EGSC-32</b>			
<b>With servo motor</b>			
Third-party motor	38AA	8093197	EAMM-U-45-V25-38AA-63
EMME-AS-40-..., EMMB-AS-40-...	40P	★ 4782056	EAMM-U-45-V25-40P-63
Third-party motor	40R	8091655	EAMM-U-45-V25-40R-63
Third-party motor	40RA	8095513	EAMM-U-45-V25-40RA-63
<b>With stepper motor</b>			
Third-party motor	35A, 35AB	8093286	EAMM-U-38-V25-35A-63
EMMT-ST-42, EMMB-ST-42-...	42A	★ 4825645	EAMM-U-45-V25-42A-63
Third-party motor	42AB	8095562	EAMM-U-45-V25-42AB-63
<b>EGSC-45</b>			
<b>With servo motor</b>			
Third-party motor	38AA	8092623	EAMM-U-45-V32-38AA-63
EMME-AS-40-..., EMMB-AS-40-...	40P	★ 4718297	EAMM-U-45-V32-40P-63
Third-party motor	40R	8091631	EAMM-U-45-V32-40R-63
Third-party motor	40RA	8095650	EAMM-U-45-V32-40RA-63
<b>With stepper motor</b>			
EMMT-ST-42, EMMB-ST-42-...	42A	★ 4280674	EAMM-U-45-V32-42A-63
Third-party motor	42AB	8095613	EAMM-U-45-V32-42AB-63
<b>EGSC-60</b>			
<b>With servo motor</b>			
Third-party motor	55A	8092868	EAMM-U-65-T42-55A-87
Third-party motor	58AA	8092909	EAMM-U-65-T42-58AA-87
EMMT-AS-60-..., EMMB-AS-60	60P	★ 4784301	EAMM-U-65-T42-60P-87
Third-party motor	60PA	8091225	EAMM-U-65-T42-60PA-87
Third-party motor	60R	8093364	EAMM-U-65-T42-60R-87
Third-party motor	60RA	8093199	EAMM-U-65-T42-60RA-87
<b>With stepper motor</b>			
EMMT-ST-57, EMMB-ST-57-...	57A	★ 4331535	EAMM-U-65-T42-57A-87
Third-party motor	60AA	8093189	EAMM-U-65-T42-60AA-87
Third-party motor	60AB	8096187	EAMM-U-65-T42-60AB-87

1) The input torque must not exceed the max. permissible transferable torque of the parallel kit.



## Product range overview

## Permitted axis/motor combinations with ball screw axis ELGD-BS



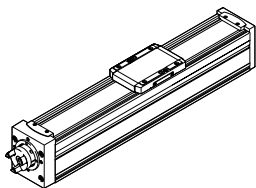
- The kit can be mounted in all directions
- Table of interfaces for third-party motors → from page 56

Motor <sup>1)</sup> Type	Motor interface	Parallel kit	
		Part no.	Type
<b>ELGD-BS-...-60/ ELGD-BS-...-WD-100</b>			
<b>With servo motor</b>			
Third-party motor	55A	8092868	EAMM-U-65-T42-55A-87
Third-party motor	58AA	8092909	EAMM-U-65-T42-58AA-87
EMMT-AS-60-..., EMMB-AS-60	60P	★ 4784301	EAMM-U-65-T42-60P-87
Third-party motor	60PA	8091225	EAMM-U-65-T42-60PA-87
Third-party motor	60R	8093364	EAMM-U-65-T42-60R-87
Third-party motor	60RA	8093199	EAMM-U-65-T42-60RA-87
<b>With stepper motor</b>			
EMMT-ST-57, EMMB-ST-57-...	57A	★ 4331535	EAMM-U-65-T42-57A-87
Third-party motor	60AA	8093189	EAMM-U-65-T42-60AA-87
Third-party motor	60AB	8096187	EAMM-U-65-T42-60AB-87
<b>ELGD-BS-...-80</b>			
<b>With servo motor</b>			
EMMT-AS-60-..., EMMB-AS-60	60P, 60PA	★ 4824069	EAMM-U-87-T46-60P-114
Third-party motor	70A	8092891	EAMM-U-87-T46-70A-114
Third-party motor	70AA, 70AB	8096220	EAMM-U-87-T46-70AA-114
EMMT-AS-80-..., EMMB-AS-80	80P, 80PA, 80RA	★ 4822696	EAMM-U-87-T46-80P-114
Third-party motor	80PB, 80R	8096289	EAMM-U-87-T46-80PB-114
Third-party motor	85AA	8097655	EAMM-U-87-T46-85AA-114
<b>With stepper motor</b>			
EMMT-ST-87, EMMB-ST-87-...	87A	★ 4819278	EAMM-U-87-T46-87A-114

1) The input torque must not exceed the max. permissible transferable torque of the parallel kit.

## Product range overview

### Permitted axis/motor combinations with ball screw axis ELGC-BS



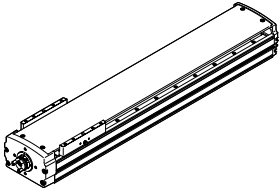
- The kit can be mounted in all directions
- Table of interfaces for third-party motors → from page 56

Motor <sup>1)</sup>	Motor interface	Parallel kit	
Type		Part no.	Type
<b>ELGC-BS-32</b>			
<b>With servo motor</b>			
Third-party motor	38AA	8093197	EAMM-U-45-V25-38AA-63
EMME-AS-40-..., EMMB-AS-40-...	40P	★ 4782056	EAMM-U-45-V25-40P-63
Third-party motor	40R	8091655	EAMM-U-45-V25-40R-63
Third-party motor	40RA	8095513	EAMM-U-45-V25-40RA-63
<b>With stepper motor</b>			
Third-party motor	35A, 35AB	8093286	EAMM-U-38-V25-35A-63
EMMT-ST-42, EMMB-ST-42-...	42A	★ 4825645	EAMM-U-45-V25-42A-63
Third-party motor	42AB	8095562	EAMM-U-45-V25-42AB-63
<b>ELGC-BS-45</b>			
<b>With servo motor</b>			
Third-party motor	38AA	8092623	EAMM-U-45-V32-38AA-63
EMME-AS-40-..., EMMB-AS-40-...	40P	★ 4718297	EAMM-U-45-V32-40P-63
Third-party motor	40R	8091631	EAMM-U-45-V32-40R-63
Third-party motor	40RA	8095650	EAMM-U-45-V32-40RA-63
<b>With stepper motor</b>			
EMMT-ST-42, EMMB-ST-42-...	42A	★ 4280674	EAMM-U-45-V32-42A-63
Third-party motor	42AB	8095613	EAMM-U-45-V32-42AB-63
<b>ELGC-BS-60</b>			
<b>With servo motor</b>			
Third-party motor	55A	8092868	EAMM-U-65-T42-55A-87
Third-party motor	58AA	8092909	EAMM-U-65-T42-58AA-87
EMMT-AS-60-..., EMMB-AS-60	60P	★ 4784301	EAMM-U-65-T42-60P-87
Third-party motor	60PA	8091225	EAMM-U-65-T42-60PA-87
Third-party motor	60R	8093364	EAMM-U-65-T42-60R-87
Third-party motor	60RA	8093199	EAMM-U-65-T42-60RA-87
<b>With stepper motor</b>			
EMMT-ST-57, EMMB-ST-57-...	57A	★ 4331535	EAMM-U-65-T42-57A-87
Third-party motor	60AA	8093189	EAMM-U-65-T42-60AA-87
Third-party motor	60AB	8096187	EAMM-U-65-T42-60AB-87
<b>ELGC-BS-80</b>			
<b>With servo motor</b>			
EMMT-AS-60-..., EMMB-AS-60	60P, 60PA	★ 4824069	EAMM-U-87-T46-60P-114
Third-party motor	70A	8092891	EAMM-U-87-T46-70A-114
Third-party motor	70AA, 70AB	8096220	EAMM-U-87-T46-70AA-114
EMMT-AS-80-..., EMMB-AS-80	80P, 80PA, 80RA	★ 4822696	EAMM-U-87-T46-80P-114
Third-party motor	80PB, 80R	8096289	EAMM-U-87-T46-80PB-114
Third-party motor	85AA	8097655	EAMM-U-87-T46-85AA-114
<b>With stepper motor</b>			
EMMT-ST-87, EMMB-ST-87-...	87A	★ 4819278	EAMM-U-87-T46-87A-114

1) The input torque must not exceed the max. permissible transferable torque of the parallel kit.

## Product range overview

## Permitted axis/motor combinations with ball screw axis ELGT-BS



- The kit can be mounted in all directions
- Table of interfaces for third-party motors → from page 56

Motor <sup>1)</sup>	Motor interface	Parallel kit	
Type		Part no.	Type
<b>ELGT-BS-90</b>			
<b>With servo motor</b>			
EMMT-AS-60-..., EMMB-AS-60	60P, 60PA	★ 4824069	EAMM-U-87-T46-60P-114
Third-party motor	60R	8126171	EAMM-U-87-T46-60R-114
Third-party motor	60RA	8126172	EAMM-U-87-T46-60RA-114
Third-party motor	70A	8092891	EAMM-U-87-T46-70A-114
Third-party motor	70AA, 70AB	8096220	EAMM-U-87-T46-70AA-114
EMMT-AS-80-..., EMMB-AS-80	80P, 80PA, 80RA	★ 4822696	EAMM-U-87-T46-80P-114
Third-party motor	80PB, 80R	8096289	EAMM-U-87-T46-80PB-114
Third-party motor	85AA	8097655	EAMM-U-87-T46-85AA-114
<b>With stepper motor</b>			
EMMT-ST-87, EMMB-ST-87-...	87A	★ 4819278	EAMM-U-87-T46-87A-114
<b>ELGT-BS-120/-160</b>			
<b>With servo motor</b>			
EMMT-AS-60-..., EMMB-AS-60	60P, 60PA	8126161	EAMM-U-87-T46-60P-147
Third-party motor	60R	8126162	EAMM-U-87-T46-60R-147
Third-party motor	60RA	8126163	EAMM-U-87-T46-60RA-147
Third-party motor	70A	8126165	EAMM-U-87-T46-70A-147
Third-party motor	70AA, 70AB	8126166	EAMM-U-87-T46-70AA-147
EMMT-AS-80-..., EMMB-AS-80	80P, 80PA, 80RA	8126167	EAMM-U-87-T46-80P-147
Third-party motor	80PB, 80R	8126168	EAMM-U-87-T46-80PB-147
Third-party motor	85AA	8126169	EAMM-U-87-T46-85AA-147
<b>With stepper motor</b>			
EMMT-ST-87, EMMB-ST-87-...	87A	8126170	EAMM-U-87-T46-87A-147

1) The input torque must not exceed the max. permissible transferable torque of the parallel kit.

## Datasheet

Material:

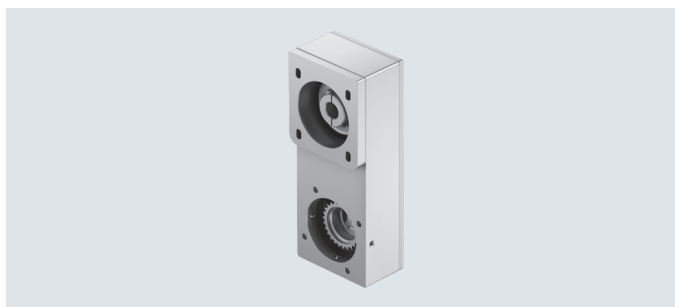
Housing and coupling hub:

Wrought aluminium alloy

Toothed belt pulley: Sintered steel

Toothed belt: Polychloroprene

Screws: Steel



General technical data							
Type	For axis	Transferable torque [Nm]	Mass moment of inertia [kgmm <sup>2</sup> ]	Max. speed [rpm]	No-load driving torque [Nm]	Weight [g]	→ Page
EAMM-U-30-V20-28A-44	EPCC, EGSC	0.055	2.11	3000	0.015	97	54
EAMM-U-30-V20-28AA-44	EPCC, EGSC	0.055	2.11	3000	0.015	94	
EAMM-U-45-V25-38AA-63	EPCC, EGSC, ELGC-BS	0.5	4.34	3600	0.05	264	
EAMM-U-45-V25-40P-63	EPCC, EGSC, ELGC-BS	0.5	4.35	3600	0.05	253	
EAMM-U-45-V25-40R-63	EPCC, EGSC, ELGC-BS	0.5	4.34	3600	0.05	267	
EAMM-U-45-V25-40RA-63	EPCC, EGSC, ELGC-BS	0.5	4.34	3600	0.05	245	
EAMM-U-45-V25-42A-63	EPCC, EGSC, ELGC-BS	0.5	4.35	3600	0.05	247	
EAMM-U-45-V25-42AB-63	EPCC, EGSC, ELGC-BS	0.5	4.34	3600	0.05	247	
EAMM-U-45-V32-38AA-63	EPCC, EGSC, ELGC-BS	1.0	4.34	3600	0.05	259	
EAMM-U-45-V32-40P-63	EPCC, EGSC, ELGC-BS	1.0	4.34	3600	0.05	243	
EAMM-U-45-V32-40R-63	EPCC, EGSC, ELGC-BS	1.0	4.34	3600	0.05	262	
EAMM-U-45-V32-40RA-63	EPCC, EGSC, ELGC-BS	1.0	4.34	3600	0.05	240	
EAMM-U-45-V32-42A-63	EPCC, EGSC, ELGC-BS	1.0	4.35	3600	0.05	248	
EAMM-U-45-V32-42AB-63	EPCC, EGSC, ELGC-BS	1.0	4.35	3600	0.05	242	
EAMM-U-65-T42-55A-87	EPCC, EGSC, ELGC-BS, ELGD-BS	3.0	41.2	3000	0.22	617	
EAMM-U-65-T42-57A-87	EPCC, EGSC, ELGC-BS, ELGD-BS	3.0	41.2	3000	0.22	594	
EAMM-U-65-T42-58AA-87	EPCC, EGSC, ELGC-BS, ELGD-BS	3.0	41.2	3000	0.22	590	
EAMM-U-65-T42-60AA-87	EPCC, EGSC, ELGC-BS, ELGD-BS	3.0	41.2	3000	0.22	583	
EAMM-U-65-T42-60AB-87	EPCC, EGSC, ELGC-BS, ELGD-BS	3.0	41.2	3000	0.22	582	
EAMM-U-65-T42-60P-87	EPCC, EGSC, ELGC-BS, ELGD-BS	3.0	41.0	3000	0.22	583	
EAMM-U-65-T42-60PA-87	EPCC, EGSC, ELGC-BS, ELGD-BS	3.0	41.0	3000	0.22	600	
EAMM-U-65-T42-60R-87	EPCC, EGSC, ELGC-BS, ELGD-BS	3.0	41.1	3000	0.22	602	
EAMM-U-65-T42-60RA-87	EPCC, EGSC, ELGC-BS, ELGD-BS	3.0	41.1	3000	0.22	601	

## Product range overview

General technical data							
Type	For axis	Transferable torque [Nm]	Mass moment of inertia [kgmm <sup>2</sup> ]	Max. speed [rpm]	No-load driving torque [Nm]	Weight [g]	→ Page
EAMM-U-87-T46-60P-114	ELGC-BS, ELGT-BS, ELGD-BS	3.0	41.0	3000	0.22	905	54
EAMM-U-87-T46-60R-114	ELGC-BS, ELGT-BS, ELGD-BS	3.0	41.0	3000	0.22	906	
EAMM-U-87-T46-60RA-114	ELGC-BS, ELGT-BS, ELGD-BS	3.0	41.0	3000	0.22	905	
EAMM-U-87-T46-70A-114	ELGC-BS, ELGT-BS, ELGD-BS	3.0	41.1	3000	0.22	926	
EAMM-U-87-T46-70AA-114	ELGC-BS, ELGT-BS, ELGD-BS	3.0	41.0	3000	0.22	926	
EAMM-U-87-T46-80P-114	ELGC-BS, ELGT-BS, ELGD-BS	3.0	44.2	3000	0.22	1140	
EAMM-U-87-T46-80PA-114	SELGC-BS, ELGT-BS, ELGD-BS	3.0	44.2	3000	0.22	1057	
EAMM-U-87-T46-80PB-114	SELGC-BS, ELGT-BS, ELGD-BS	3.0	44.6	3000	0.22	1062	
EAMM-A-87-T46-85AA-114	ELGC-BS, ELGT-BS, ELGD-BS	3.0	41.0	3000	0.22	986	
EAMM-U-87-T46-87A-114	ELGC-BS, ELGT-BS, ELGD-BS	3.0	41.0	3000	0.22	877	
EAMM-U-87-T46-60P-147	ELGT-BS	3.0	41.0	3000	0.22	1015	
EAMM-U-87-T46-60R-147	ELGT-BS	3.0	41.1	3000	0.22	1017	
EAMM-U-87-T46-60RA-147	ELGT-BS	3.0	41.1	3000	0.22	1015	
EAMM-U-87-T46-70A-147	ELGT-BS	3.0	41.1	3000	0.22	1037	
EAMM-U-87-T46-70AA-147	ELGT-BS	3.0	41.2	3000	0.22	1037	
EAMM-U-87-T46-80P-147	ELGT-BS	3.0	44.2	3000	0.22	1154	
EAMM-U-87-T46-80PB-147	ELGT-BS	3.0	44.6	3000	0.22	1159	
EAMM-A-87-T46-85AA-147	ELGT-BS	3.0	41.0	3000	0.22	1097	
EAMM-U-87-T46-87A-147	ELGT-BS	3.0	41.2	3000	0.22	1256	

## Operating and environmental conditions

Gear ratio	1:1
Ambient temperature [°C]	0 ... +50
Storage temperature [°C]	-20 ... +60
Degree of protection <sup>1)</sup>	IP40
Relative humidity [%]	0 ... 95
Corrosion resistance class CRC <sup>2)</sup>	1
Note on materials	RoHS-compliant
LABS (PWIS) conformity	VDMA24364 zone III

1) Only in combination with attached motor and axis.

2) Corrosion resistance class CRC 1 to Festo standard FN 940070

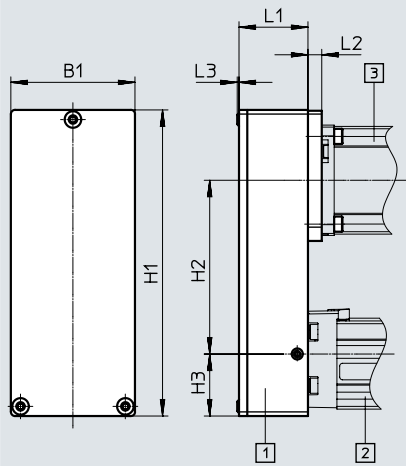
Low corrosion stress. Dry indoor applications or transport and storage protection. Also applies to parts behind covers, in the non-visible interior area, or parts that are covered in the application (e.g. drive trunnions).

## Datasheet

### Dimensions and ordering data

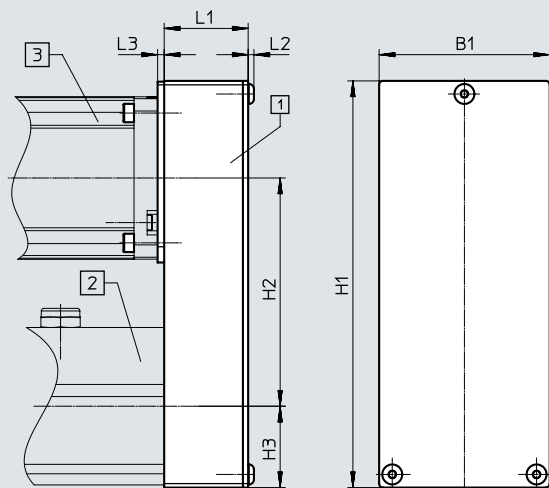
Download CAD data → [www.festo.com](http://www.festo.com)

EGSC-BS, ELGC-BS, ELGD-BS



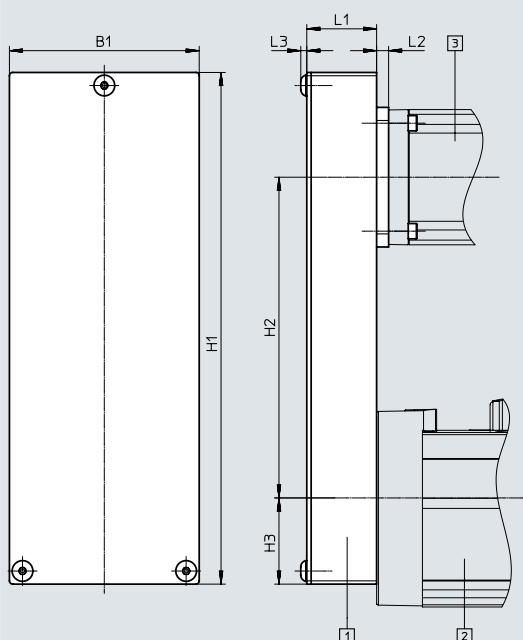
Main illustration:  
 [1] Parallel kit  
 [2] Mini slide, ball screw axis  
 [3] Motor

### EPCC



Main illustration:  
 [1] Parallel kit  
 [2] Electric cylinder  
 [3] Motor

### ELGT-BS



Main illustration:  
 [1] Parallel kit  
 [2] Ball screw axis  
 [3] Motor

## Datasheet

Type	B1	H1	H2	H3	L1	L2	L3	Part no.	Type
EAMM-U-30-V20-28A-44	30	76	44	15	18.2	8.1	1.6	★ 4767125	EAMM-U-30-V20-28A-44
EAMM-U-30-V20-28AA-44	30	76	44	15	18.2	4	1.6	8093176	EAMM-U-30-V20-28AA-44
EAMM-U-38-V25-35A-63	38	105	63	19.5	24	5	1.7	8093286	EAMM-U-38-V25-35A-63
EAMM-U-45-V25-38AA-63	45	111	63	22.5	24	5	1.7	8093197	EAMM-U-45-V25-38AA-63
EAMM-U-45-V25-40P-63	45	111	63	22.5	24	5	1.7	★ 4782056	EAMM-U-45-V25-40P-63
EAMM-U-45-V25-40R-63	45	111	63	22.5	24	10.5	1.7	8091655	EAMM-U-45-V25-40R-63
EAMM-U-45-V25-40RA-63	45	111	63	22.5	24	3.5	1.7	8095513	EAMM-U-45-V25-40RA-63
EAMM-U-45-V25-42A-63	45	111	63	22.5	24	4	1.7	★ 4825645	EAMM-U-45-V25-42A-63
EAMM-U-45-V25-42AB-63	45	111	63	22.5	24	4	1.7	8095562	EAMM-U-45-V25-42AB-63
EAMM-U-45-V32-38AA-63	45	111	63	22.5	24	11	1.7	8092623	EAMM-U-45-V32-38AA-63
EAMM-U-45-V32-40P-63	45	111	63	22.5	24	5	1.7	★ 4718297	EAMM-U-45-V32-40P-63
EAMM-U-45-V32-40R-63	45	111	63	22.5	24	10.5	1.7	8091631	EAMM-U-45-V32-40R-63
EAMM-U-45-V32-40RA-63	45	111	63	22.5	24	3.5	1.7	8095650	EAMM-U-45-V32-40RA-63
EAMM-U-45-V32-42A-63	45	111	63	22.5	24	4	1.7	★ 4280674	EAMM-U-45-V32-42A-63
EAMM-U-45-V32-42AB-63	45	111	63	22.5	24	4	1.7	8095613	EAMM-U-45-V32-42AB-63
EAMM-U-65-T42-55A-87	65	155	87	31	32	6.5	2.2	8092868	EAMM-U-65-T42-55A-87
EAMM-U-65-T42-57A-87	65	155	87	31	32	1	2.2	★ 4331535	EAMM-U-65-T42-57A-87
EAMM-U-65-T42-58AA-87	65	155	87	31	32	2.5	2.2	8092909	EAMM-U-65-T42-58AA-87
EAMM-U-65-T42-60AA-87	65	155	87	31	32	2.5	2.2	8093189	EAMM-U-65-T42-60AA-87
EAMM-U-65-T42-60AB-87	65	155	87	31	32	2.5	2.2	8096187	EAMM-U-65-T42-60AB-87
EAMM-U-65-T42-60P-87	65	155	87	31	32	2.5	2.2	★ 4784301	EAMM-U-65-T42-60P-87
EAMM-U-65-T42-60PA-87	65	155	87	31	32	5.5	2.2	8091225	EAMM-U-65-T42-60PA-87
EAMM-U-65-T42-60R-87	65	155	87	31	32	5.5	2.2	8093364	EAMM-U-65-T42-60R-87
EAMM-U-65-T42-60RA-87	65	155	87	31	32	5.5	2.2	8093199	EAMM-U-65-T42-60RA-87
EAMM-U-87-T46-60P-114	87	201.5	114	39.5	32	3	2.8	★ 4824069	EAMM-U-87-T46-60P-114
EAMM-U-87-T46-60R-114	87	201.5	114	39.5	32	5.5	2.8	8126171	EAMM-U-87-T46-60R-114
EAMM-U-87-T46-60RA-114	87	201.5	114	39.5	32	5.5	2.8	8126172	EAMM-U-87-T46-60RA-114
EAMM-U-87-T46-70A-114	87	201.5	114	39.5	32	7	2.8	8092891	EAMM-U-87-T46-70A-114
EAMM-U-87-T46-70AA-114	87	201.5	114	39.5	32	7	2.8	8096220	EAMM-U-87-T46-70AA-114
EAMM-U-87-T46-80P-114	87	201.5	114	39.5	32	24.7	2.8	★ 4822696	EAMM-U-87-T46-80P-114
EAMM-U-87-T46-80PB-114	87	201.5	114	39.5	32	24.7	2.8	8096289	EAMM-U-87-T46-80PB-114
EAMM-A-87-T46-85AA-114	87	201.5	114	39.5	32	10	2.8	8097655	EAMM-A-87-T46-85AA-114
EAMM-U-87-T46-87A-114	87	201.5	114	39.5	32	2.5	2.8	★ 4819278	EAMM-U-87-T46-87A-114
EAMM-U-87-T46-60P-147	87	234.5	147	39.5	32	5.5	2.8	8126161	EAMM-U-87-T46-60P-147
EAMM-U-87-T46-60R-147	87	234.5	147	39.5	32	5.5	2.8	8126162	EAMM-U-87-T46-60R-147
EAMM-U-87-T46-60RA-147	87	234.5	147	39.5	32	5.5	2.8	8126163	EAMM-U-87-T46-60RA-147
EAMM-U-87-T46-70A-147	87	234.5	147	39.5	32	5.5	2.8	8126165	EAMM-U-87-T46-70A-147
EAMM-U-87-T46-70AA-147	87	234.5	147	39.5	32	7	2.8	8126166	EAMM-U-87-T46-70AA-147
EAMM-U-87-T46-80P-147	87	234.5	147	39.5	32	24.7	2.8	8126167	EAMM-U-87-T46-80P-147
EAMM-U-87-T46-80PB-147	87	234.5	147	39.5	32	24.7	2.8	8126168	EAMM-U-87-T46-80PB-147
EAMM-A-87-T46-85AA-147	87	234.5	147	39.5	32	10	2.8	8126169	EAMM-A-87-T46-85AA-147
EAMM-U-87-T46-87A-147	87	234.5	147	39.5	32	2.5	2.8	8126170	EAMM-U-87-T46-87A-147

## Product range overview

Third-party motors and gear units		
Manufacturer	Motor interface	Type
Allen-Bradley/Rockwell Automation	<b>40R</b>	TL-A110; TL-A120; TL-A130; TLY-A110; TLY-A120; TLY-A130
Allen-Bradley/Rockwell Automation	<b>55A</b>	MPL-A/B1510; MPL-A/B1520; MPL-A/B1530; VPL-A/B-063x
Allen-Bradley/Rockwell Automation	<b>60R</b>	TL-A220; TL-A230; TLY-A220; TLY-A230
Allen-Bradley/Rockwell Automation	<b>70A</b>	MPL-A/B210; MPL-A/B220; MPL-A/B230; VPL-A/B-075x
Allen-Bradley/Rockwell Automation	<b>80R</b>	TLx-A25
Allen-Bradley/Rockwell Automation	<b>90R</b>	TLY-A310
Allen-Bradley/Rockwell Automation	<b>92RA</b>	MPF-B310; MPL-B320; MPL-B330; VPL-A/B1001; VPL-A/B1002; VPL-A/B1003
Allen-Bradley/Rockwell Automation	<b>100A</b>	VPL-A/B1152; VPL-A/B1153; MPL-A/B420; MPL-A/B430
Allen-Bradley/Rockwell Automation	<b>108AA</b>	VPL-A/B1303; VPL-A/B1304; VPL-A/B1306; MPL-A/B4530; MPL-A/B4540; MPL-A/B4560
Allen-Bradley/Rockwell Automation	<b>190A</b>	B640; B660; B690
AMK	<b>55A</b>	DT3
AMK	<b>70A</b>	DT4-1; DT4-2
AMK	<b>100A</b>	DT5-15; DT5-23; DT5-3; DT5-5; DT5-9; DTK5-3
Apex Dynamics INC.	<b>40G</b>	PG040
Apex Dynamics INC.	<b>50GA</b>	PE 050
Apex Dynamics INC.	<b>60H</b>	PG II 060; PG060; PG2-060
Apex Dynamics INC.	<b>70GA</b>	PE 070
Apex Dynamics INC.	<b>80G</b>	PG080
Apex Dynamics INC.	<b>86GA</b>	PG2-080; PG II 080
Apex Dynamics INC.	<b>90GA</b>	PE 090
Apex Dynamics INC.	<b>114GA</b>	PG II 120; PG2-120
Apex Dynamics INC.	<b>120G</b>	PG120
Apex Dynamics INC.	<b>120GA</b>	PG080A
Apex Dynamics INC.	<b>120GC</b>	PE 120
Apex Dynamics INC.	<b>160G</b>	PG160; PG II 160; PG2-160
B+R Automation	<b>40G</b>	8GP30-040
B+R Automation	<b>40R</b>	8LVA1
B+R Automation	<b>55A</b>	8LSA2
B+R Automation	<b>57AA</b>	80MPF
B+R Automation	<b>58AA</b>	8JSA2
B+R Automation	<b>60H</b>	8GP30-060; 8GP40-060
B+R Automation	<b>60PA</b>	8LVA22; 8LVA23
B+R Automation	<b>70AA</b>	8JSA3
B+R Automation	<b>72GA</b>	8GP60-070
B+R Automation	<b>80G</b>	8GP40-080
B+R Automation	<b>80PA</b>	8LVA3
B+R Automation	<b>84AA</b>	8JSA4
B+R Automation	<b>88A</b>	8LSA3; 8MSA3
B+R Automation	<b>100A</b>	8LSA4; 8MSA4; 8MSC4
Baumüller	<b>55A</b>	DSD 028 M; DSD 028 S
Baumüller	<b>70A</b>	DSD 036 M; DSD 036 S
Baumüller	<b>88A</b>	DS 045 L; DS 045 M; DS 045 S; DSC 045 K; DSC 045 M; DSC 045 S; DSCG 045 K; DSCG 045 M; DSCG 045 S; DSD 045 L; DSD 045 M; DSD 045 S
Baumüller	<b>126AA</b>	DSC 056 K; DSC 056 M; DSC 056 S; DSCG 056 K; DSCG 056 M; DSCG 056 S; DSD 056 L; DSD 056 M; DSD 056 S
Beckhoff	<b>40R</b>	AM3011; AM3012; AM3013; AM3111; AM3112; AM8111; AM8113
Beckhoff	<b>42A</b>	AS1010; AS1020
Beckhoff	<b>55A</b>	AM227LL; AM227M; AM8021; AM8022; AM8023; AM8121; AM8122
Beckhoff	<b>58AA</b>	AM3021; AM3022; AM3023; AM3024
Beckhoff	<b>60RB</b>	AM3121
Beckhoff	<b>70AA</b>	AM3031; AM3032; AM3033; AM8031; AM8032; AM8131; AM8531
Beckhoff	<b>84AA</b>	AM3041; AM3042; AM3043; AM3044; AM3541; AM3542; AM3543; AM8041; AM8042; AM8043
Beckhoff	<b>88A</b>	AM247L
Beckhoff	<b>100A</b>	AM257M; AM257S
Beckhoff	<b>104AA</b>	AM8051; AM8052; AM8053
Beckhoff	<b>108AA</b>	AM3051; AM3052; AM3053; AM3054; AM3551; AM3552; AM3553; AM8051-XXXX-900
Beckhoff	<b>158AA</b>	AM3062; AM3063; AM3064; AM3065; AM3562; AM3563; AM8061; AM8062; AM8063



## Product range overview

Third-party motors and gear units		
Manufacturer	Motor interface	Type
Bosch Rexroth	<b>38AA</b>	MSM019A; MSM019B
Bosch Rexroth	<b>40G</b>	GTE040
Bosch Rexroth	<b>58AA</b>	MKD 025; MSK030B; MSK030C; MS2N03-BXXXXN-AXDK0-NNNNN-NN; MS2N03-BXXXXN-BXDG0-NNNNN-NN; MS2N03-BXXXXN-BXDH1-NNNNE-NN; MS2N03-BXXXXN-CXDG0-NNNNN-NN; MS2N03-BXXXXN-CXDG1-NNNNN-NN; MS2N03-BXXXXN-CXDH0-NNNNN-NN; MS2N03-BXXXXN-CXDH1-NNNNN-NN; MS2N03-BXXXXN-CXSG1-NNNNN-
Bosch Rexroth	<b>60H</b>	GTE060
Bosch Rexroth	<b>60P</b>	MSM 031C
Bosch Rexroth	<b>60RA</b>	MSM030B; MSM031B
Bosch Rexroth	<b>68GA</b>	GTM060
Bosch Rexroth	<b>75GA</b>	GTM075
Bosch Rexroth	<b>80G</b>	GTE080
Bosch Rexroth	<b>80P</b>	MSM040B; MSM041B
Bosch Rexroth	<b>82AA</b>	MKD041; MSK040B; MSK040C; MSK043C; MS2N04
Bosch Rexroth	<b>100A</b>	MSK050B; MSK050C
Bosch Rexroth	<b>115GA</b>	GTM100
Bosch Rexroth	<b>116AA</b>	MSK061B; MSK061C
Bosch Rexroth	<b>120G</b>	GTE120
Bosch Rexroth	<b>158AA</b>	MSK070C; MSK070D; MSK070E; MSK071C; MSK071D; MSK071E; MSK075C; MSK075D; MSK075E
Bosch Rexroth	<b>160G</b>	GTE160
Danaher Motion	<b>40R</b>	AKM1 AK; AKM1 AN
Danaher Motion	<b>58AA</b>	AKM21 AC; AKM21 AN; AKM22 AC; AKM22 AN; AKM23 AC; AKM23 AN; AKM24 AC; AKM24 AN; AKM2x AC/AN
Danaher Motion	<b>60P</b>	AKM2 CK
Danaher Motion	<b>70AA</b>	AKM 31 AC; AKM 31 AN; AKM 32 AC; AKM 32 AN; AKM 33 AC; AKM 33 AN
Danaher Motion	<b>84AA</b>	AKM 41 AC; AKM 41 AN; AKM 42 AC; AKM 42 AN; AKM 43 AC; AKM 43 AN; AKM 44 AC; AKM 44 AN
Delta	<b>80RA</b>	ECMA-C Δ0807
Elau	<b>55A</b>	SH-055 80 005; SH-055 80 009; SH-055 80 013
Elau	<b>70A</b>	iSH 070 60 011; iSH 070 60 017; SH-070 60 010; SH-070 60 020; SM-070 xx010; SM-070 xx020
Elau	<b>70AA</b>	iSH 070 60 022; SH-070 60 030
Elau	<b>104AA</b>	SH 100 30 100
Esitron	<b>88A</b>	esiMot 32/3
Fanuc	<b>60PA</b>	BETA iS1
Fanuc	<b>88A</b>	S 4/5000 HV
Fastech	<b>20AC</b>	EzM2-20
Fastech	<b>25AA</b>	EzM-25
Fastech	<b>28AA</b>	EzM2-28
Fastech	<b>35A</b>	EzM2-35
Fastech	<b>42A</b>	EzM2-42
Fastech	<b>57A</b>	EzM2-56
Fastech	<b>60AA</b>	EzM2-60
Inovance	<b>40R</b>	ISMH1-10B30
Inovance	<b>60PA</b>	ISMH1-20B30; ISMH1-40B30
Inovance	<b>80PA</b>	ISMH1-75B30
Kollmorgen	<b>40R</b>	AKM11; AKM12; AKM13
Kollmorgen	<b>55A</b>	DBL2 H00080
Kollmorgen	<b>58AA</b>	AKM21; AKM22; AKM23; AKM24
Kollmorgen	<b>70AA</b>	AKM31x-Ax; AKM32x-Ax; AKM33x-Ax
Kollmorgen	<b>84AA</b>	AKM41x-Ax; AKM42x-Ax; AKM43x-Ax; AKM44x-Ax
Kollmorgen	<b>108AA</b>	AKM51x-Ax; AKM52x-Ax; AKM53x-Ax; AKM54x-Ax
Kollmorgen	<b>158AA</b>	AKM62; AKM63; AKM64; AKM65
Lenze	<b>68GA</b>	GPA00; MPR050-1S GCN
Lenze	<b>70A</b>	MCS 06; MDSKSxx036
Lenze	<b>75GA</b>	GPA01
Lenze	<b>88A</b>	MCA 10 FF100; MCS 09; MDSKSxx056 FF100; LST-074-2
Lenze	<b>115GA</b>	GPA02
Lenze	<b>120GA</b>	GKR03-2M VAK; GKR04-2S VAK

## Product range overview

Third-party motors and gear units		
Manufacturer	Motor interface	Type
Minebea	<b>20AA</b>	08PM-K (IP20)
Minebea	<b>25AA</b>	10PM-K (IP20)
Minebea	<b>35A</b>	14PY-Z (IP20)
Minebea	<b>42A</b>	17PY-Z (IP20)
Minebea	<b>57A</b>	23KY-K (IP20)
Minebea	<b>87AB</b>	34KM-K (IP20)
Mitsubishi	<b>28M</b>	HC-AQ0335D
Mitsubishi	<b>40R</b>	HF-KE13; HF-KP053; HF-KP13; HF-MP053; HF-MP13; HG-MR13B
Mitsubishi	<b>60PA</b>	HF-KP23; HF-KP43; HK-KT23W; HK-KT43W; HF-KE23; HF-KE43; HF-MP23; HF-MP43; HG-KR43
Mitsubishi	<b>80PA</b>	HG-KR73; HK-KT7M3W
Moons	<b>20AB</b>	8HYxx (IP20)
Moons	<b>35AB</b>	MS14HA (IP20)
Moons	<b>42A</b>	MS17HA (IP20)
Moons	<b>57A</b>	MS23HA (IP20)
Moons	<b>60PA</b>	SM601AE4; SM602AE4
Moons	<b>80PA</b>	SM803AE4
Moons	<b>87AA</b>	ML34HD (IP20)
Nanotec	<b>42A</b>	ST4209
Nanotec	<b>57AA</b>	ST6018
Nanotec	<b>87AB</b>	ST8918L
Neugart	<b>40G</b>	PLE 040; WPLE 40
Neugart	<b>50GA</b>	PLPE 50; WPLPE 50
Neugart	<b>60H</b>	PLE 060; WPLE 60
Neugart	<b>68GA</b>	PLN 70; WPLN 70
Neugart	<b>70GA</b>	PLPE 70; WPLPE 70
Neugart	<b>72GA</b>	PLN 70 (OP14); WPLN 70 (OP14)
Neugart	<b>75GA</b>	PLN 90; WPLN 90
Neugart	<b>80G</b>	PLE 080; WPLE 80
Neugart	<b>90GA</b>	PLPE 90; WPLPE 90
Neugart	<b>115GA</b>	PLN 115; WPLN 115
Neugart	<b>120G</b>	PLE 120; WPLE 120
Neugart	<b>120GA</b>	PLE 080-90; WPLE 80-90
Neugart	<b>120GC</b>	PLPE 120; WPLPE 120
Neugart	<b>160G</b>	PLE 160
Omron	<b>40R</b>	R7M-A10030; R88M-K10030H; SGMAV-01A; SGMAV-A5A; SGMAV-C2A; SGMJV-01A; SGMJV-05A
Omron	<b>60P</b>	R88M-1M40030
Omron	<b>60PA</b>	SGMAH-02; SGMAV-02A; SGMAV-04A; SGMAV-06A; SGMJV-02A; SGMJV-04A
Omron	<b>60RA</b>	R88M-1M20030; R88M-G20030H; R88M-K20030H-S2
Omron	<b>80P</b>	R88M-1M75030; R88M-G75030H; R88M-K75030
Oriental Motor	<b>20AA</b>	CVK21
Oriental Motor	<b>28AA</b>	AR2x; AZ2x; CVK22
Oriental Motor	<b>35AA</b>	CVK23
Oriental Motor	<b>42AA</b>	CVK24
Oriental Motor	<b>42AB</b>	AR4x; AZ4x
Oriental Motor	<b>57A</b>	PKP26
Oriental Motor	<b>57AD</b>	CVK26
Oriental Motor	<b>60AB</b>	AR6x; AZ6x
Oriental Motor	<b>85AA</b>	AR9x; AZ9x
Panasonic	<b>38AA</b>	MSMD012J1; MSMF012; MSMF5A
Panasonic	<b>60P</b>	MSMF042
Panasonic	<b>60RA</b>	MSMF022
Panasonic	<b>80P</b>	MSMF082
Parker	<b>120GA</b>	PE 4
Parker	<b>55A</b>	SMH60601_45112ID654
Parker	<b>60H</b>	PE 3
Parker	<b>70A</b>	SMHA60301
Planetroll	<b>115GA</b>	PDH 200/1
Planetroll	<b>68GA</b>	PDH 25/1
Planetroll	<b>75GA</b>	PDH 100/1

## Product range overview

Third-party motors and gear units		
Manufacturer	Motor interface	Type
Sanyo Denki	<b>28AA</b>	SH2281; SH2285
Sanyo Denki	<b>35A</b>	SH3533; SH3537
Sanyo Denki	<b>40R</b>	R2EA04008; R2xA04005
Sanyo Denki	<b>40S</b>	R2AA04003
Sanyo Denki	<b>40T</b>	R2AA04005; R2AA04010
Sanyo Denki	<b>60PA</b>	R2AA06040; R2AA06040FX; R2xA06020
Sanyo Denki	<b>60S</b>	R2AA06010
Sanyo Denki	<b>60T</b>	R2AA06020
Sanyo Denki	<b>80PB</b>	R2AA08075
Sanyo Denki	<b>90R</b>	R2AAB8100
Schneider Electric	<b>40A</b>	BMH 1403
Schneider Electric	<b>42A</b>	ILP2R421; ILP2R422; ILP2R423
Schneider Electric	<b>55A</b>	BMH 055; BSH 055
Schneider Electric	<b>57AA</b>	NEMA23; NEMA24
Schneider Electric	<b>57AB</b>	BRS 364; BRS 366; IFS 61; IFS 62; ILS1x571; ILS1x572
Schneider Electric	<b>57AC</b>	BRS 368; IFS 63; ILS1x573
Schneider Electric	<b>70A</b>	BMH 0701; BMH 0702; BSH 0701; BSH 0702
Schneider Electric	<b>70AA</b>	BMH 0703; BSH 0703
Schneider Electric	<b>80G</b>	GBX080
Schneider Electric	<b>104AA</b>	BSH 1004
Schneider Electric	<b>116AA</b>	BRH 110
Schneider Electric	<b>120G</b>	GBX120
SEW Eurodrive	<b>56GA</b>	PSF 121; PSF 122; PSKF 121; PSKF 122
SEW Eurodrive	<b>58AA</b>	CMP40
SEW Eurodrive	<b>68GA</b>	PSC 221; PSC 222; PSF 221; PSF 222; PSKC 221; PSKC 222; PSKF 221; PSKF 222
SEW Eurodrive	<b>70A</b>	CMP50
SEW Eurodrive	<b>70GA</b>	PSCZ 221; PSCZ 222; PSKCZ 221; PSKCZ 222
SEW Eurodrive	<b>75GA</b>	PSC 321; PSC 322; PSF 321; PSF 322; PSKC 321; PSKC 322; PSKF 321; PSKF 322
SEW Eurodrive	<b>88A</b>	CMP63
SEW Eurodrive	<b>92RA</b>	WF10 Ø120; WF10DT56
SEW Eurodrive	<b>100A</b>	CFM71
SEW Eurodrive	<b>115GA</b>	PSC 521; PSC 522; PSF 521; PSF 522; PSKC 521; PSKC 522; PSKF 521; PSKF 522
SEW Eurodrive	<b>120GA</b>	RF07 Ø120; SF37 Ø120; WF30 Ø120; WF37 Ø120
SEW Eurodrive	<b>120GB</b>	RF27 Ø120
SEW Eurodrive	<b>126AA</b>	CMPZ71
SEW Eurodrive	<b>190A</b>	CFM112
Siemens	<b>40R</b>	1FK2102-0AG...; 1FK2102-1AG...
Siemens	<b>40RA</b>	1FK7011; 1FK7015
Siemens	<b>55A</b>	1FK7022; 1FT6021; 1FT6024
Siemens	<b>60PA</b>	1FK2103-2AG...-0...; 1FK2103-2AG...-1...; 1FK2103-4AG...-0...; 1FK2103-4AG...-1...; 1FK2203-2AG...-0...; 1FK2203-2AG...-1...; 1FK2203-4AG...-0...; 1FK2203-4AG...-1...; 1FL603x-2AF21
Siemens	<b>60RB</b>	1FK2103-2AG...-2...; 1FK2103-4AG...-2...; 1FK2203-2AG...-2...; 1FK2203-4AG...-2...
Siemens	<b>68GA</b>	SP 060S
Siemens	<b>70AA</b>	1FT6031; 1FT6034
Siemens	<b>70AB</b>	1FK7032; 1FK7033; 1FK7034; 1FT7034; 6SN2155...
Siemens	<b>75GA</b>	SP 075S
Siemens	<b>80PA</b>	1FK2104-4AK...; 1FK2104-5AK...; 1FL604x-2AF21
Siemens	<b>80RA</b>	1FL604x-2AF21
Siemens	<b>84AA</b>	1FK7040; 1FK7042; 1FK7043; 1FK7044; 1FT6041; 1FT6044; 1FT704x
Siemens	<b>96RB</b>	1FT7042; 1FT7044; 1FT7046
Siemens	<b>115GA</b>	SP 100S
Siemens	<b>120GA</b>	BF29-KQ-703
Siemens	<b>120GB</b>	ZF29-KQ-704; ZF29-KQ-706
Siemens	<b>126AA</b>	1FK7060; 1FK7062; 1FK7063; 1FT6061; 1FT6062; 1FT6064; 1FT7062; 1FT7064; 1FT7066; 1FT7068; 1FK2206
Siemens	<b>158AA</b>	1FK7080; 1FK7083; 1FK7086; 1FT6081; 1FT6082; 1FT6084; 1FT6086

## Product range overview

Third-party motors and gear units		
Manufacturer	Motor interface	Type
Wittenstein Alpha	<b>40G</b>	CP 005; CPK 005; alphira CP 040
Wittenstein Alpha	<b>50GA</b>	NPK 005; LP+ 050 (replaced by NP 005); LPK+ 050 (replaced by NPK 005); LK+ 050; LP+ 050; LPK+ 050; NP 005
Wittenstein Alpha	<b>60H</b>	CP 015; CPK 015; alphira CP 060
Wittenstein Alpha	<b>68GA</b>	SK+ 060; SP+ 060; SPC+ 060; SK+ 060 MF; SP+ 060 MF
Wittenstein Alpha	<b>70GA</b>	NP 015; NPK 015; LP+ 070 (replaced by NP 015); LPK+ 070 (replaced by NPK 015); LK+ 070; LP+ 070; LPK+ 070
Wittenstein Alpha	<b>75GA</b>	SK+ 075; SP+ 075; SPK+ 075; SPC+ 075; SK+ 075 MF; SP+ 075 MC; SP+ 075 MF; SPK+ 075 MF
Wittenstein Alpha	<b>80G</b>	CP 025; CPK 025; alphira CP 080
Wittenstein Alpha	<b>90GA</b>	NP 025; NPK 025; LP+ 090 (replaced by NP 025); LPK+ 090 (replaced by NPK 025); LK+ 090; LP+ 090; LPK+ 090
Wittenstein Alpha	<b>115GA</b>	SK+ 100; SP+ 100; SPK+ 100; SPC+ 100; SK+ 100 MF; SP+ 100 MC; SP+ 100 MF; SPK+ 100 MF
Wittenstein Alpha	<b>120G</b>	CP 035; CPK 035; alphira CP 115
Wittenstein Alpha	<b>120GC</b>	NP 035; NPK 035; LP+ 120 (replaced by NP 035); LPK+ 120 (replaced by NPK 035); LK+ 120; LP+ 120; LPK+ 120
YASKAWA	<b>25A</b>	SGMM...
YASKAWA	<b>40R</b>	SGM7J-A5A.A2.; SGM7J-01A.A2.; SGM7J-C2A.A2.; SGM7JA-A5A.A2.; SGM7JA-01A.A2.; SGM7JA-C2A.A2.
YASKAWA	<b>60PA</b>	SGM7J-02A.A2.; SGM7J-04A.A2.; SGM7J-06A.A2.
YASKAWA	<b>60S</b>	SGM7P-01A..2.
YASKAWA	<b>80PA</b>	SGM7J-08A.A2.

x