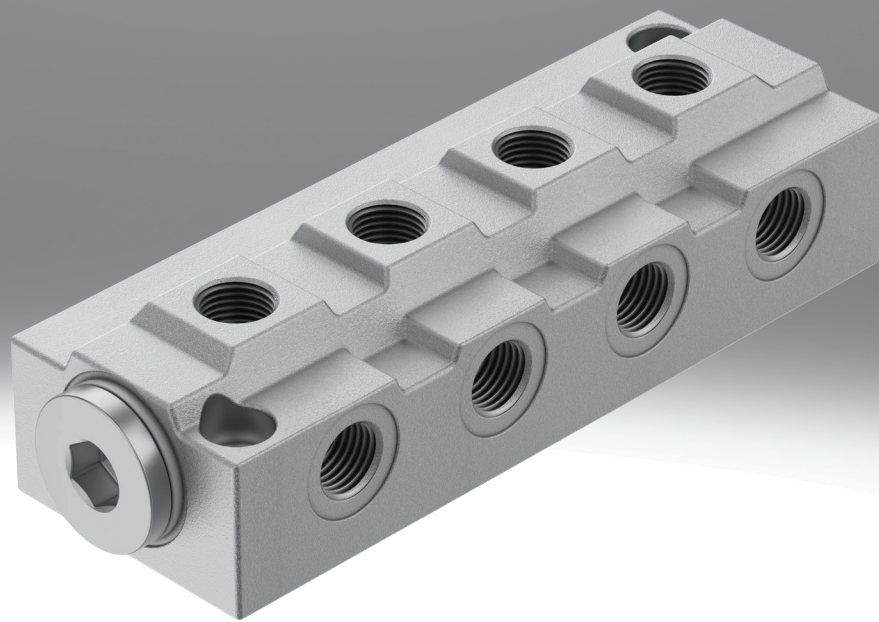


Distributor block FR

FESTO



Datasheet

General technical data

Outlets	3 outlets	8 outlets	9 outputs	12 outlets
Mounting position	optional			
Number of outputs	3	8	9	12
Number of supply lines	1			
Nominal torque	–	12.5 Nm; 14 Nm; 35 Nm	–	3.5 Nm
Tolerance for nominal tightening torque	–	± 10%, ± 20%	–	± 20%

Operating and environmental conditions

Material housing	Die-cast aluminium	PA-reinforced	Aluminium, Anodised
Operating pressure	–	0 ... 8 bar	–
Operating pressure complete temperature range	0 ... 16 bar	–	0 ... 16 bar
Operating medium	Compressed air to ISO 8573-1:2010 [7:-:–]	Compressed air to ISO 8573-1:2010 [7:4:4]	Compressed air to ISO 8573-1:2010 [7:-:–]
Note on operating and pilot medium	Lubricated operation possible (in which case lubricated operation will always be required)		
Ambient temperature	-10 ... 80°C	-5 ... 50°C	-10 ... 80°C
Media temperature	–	-5 ... 50°C	–
Corrosion resistance class CRC ¹⁾	0 - No corrosion stress	1 - Low corrosion stress	2 - Moderate corrosion stress

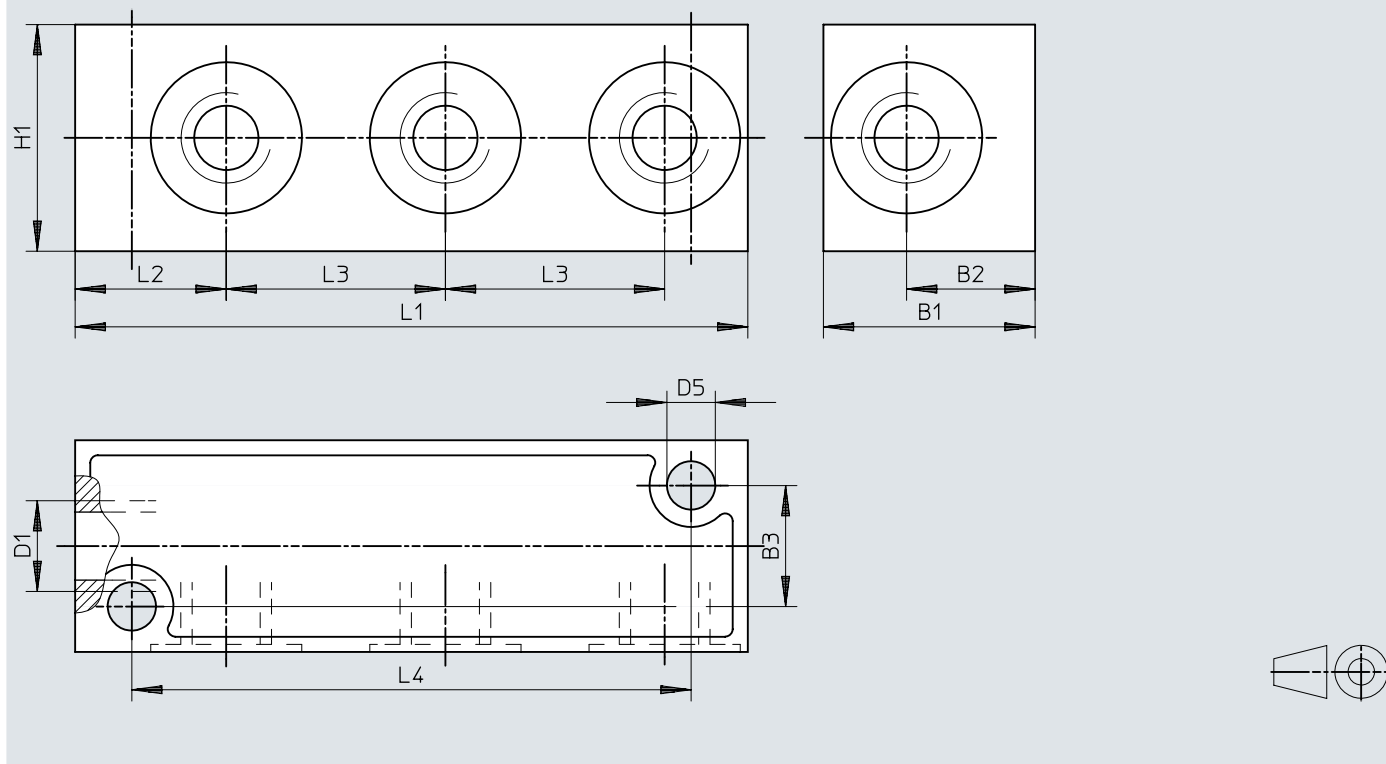
1) More information www.festo.com/x/topic/crc

Materials

Material housing	Die-cast aluminium	PA-reinforced	Aluminium, Anodised
Material seals	–	NBR, PU	–
Note on materials	RoHS-compliant		
LABS (PWIS) conformity	VDMA24364-B1/B2-L	VDMA24364-B2-L	VDMA24364-B1/B2-L

Dimensions

Dimensions – Distributor block FR-4

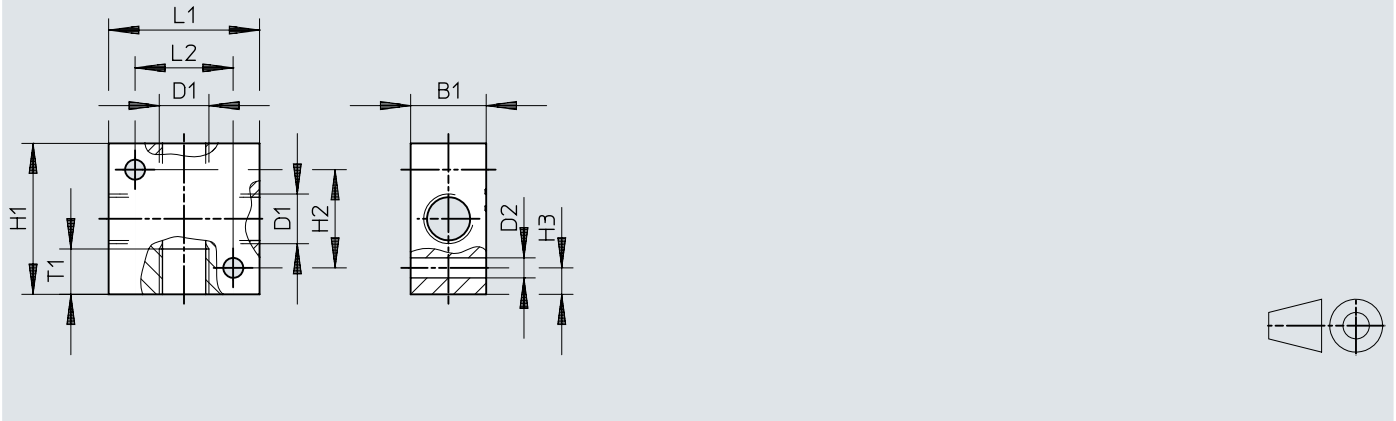
Download CAD data www.festo.com

	B1	B2	B3	D1	D5	H1	L1	L2	L3	L4
FR-4-1/8-B	20	11,6	13	G1/8	4,4	17	56	13,5	17	46
FR-4-1/4-C	28	17	16	G1/4	6,4	30	89	20	29	74
FR-4-3/8-B	32	19	20	G3/8	6,4	26	85	20	26	72
FR-4-1/2-B	38	22	25	G1/2	6,4	32	105	25	32	90

Dimensions

Dimensions – Distributor block FR-4-1/4

Download CAD data www.festo.com

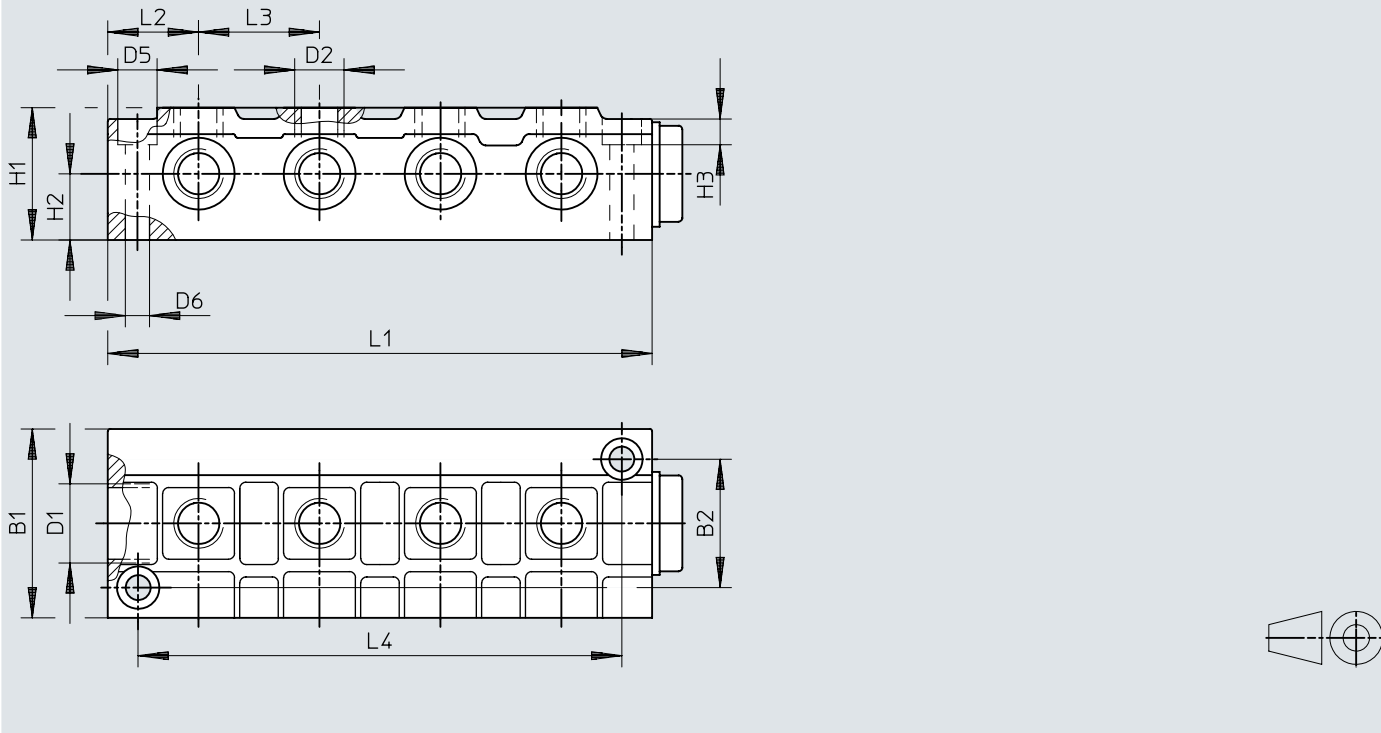


	B1	D1	D2 ∅	H1	H2	H3	L1	L2	T1
FR-4-1/4	20	G1/4	5,3	40	26	7	40	26	12

Dimensions

Dimensions – Distributor block FR-8

Download CAD data www.festo.com

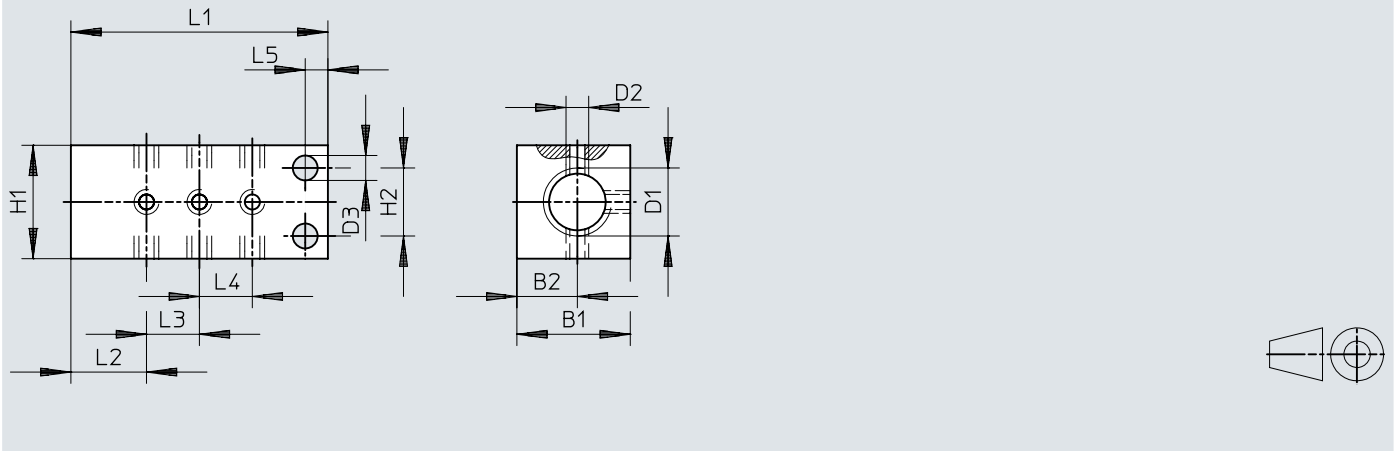


	B1	B2	D1	D2	D5 ∅	D6 ∅	H1	H2	H3	L1	L2	L3	L4
FR-8-1/8	40	26	G3/8	G1/8	11	6,6	30	15	6,8	114	22,5	23	100
FR-8-1/4	50	34	G1/2	G1/4	11	6,6	35	17,5	6,8	144	24	32	128
FR-8-1/2	60	40	G3/4	G1/2	15	9	45	22,5	9	170	31	36	150

Dimensions

Dimensions – Distributor block FR-9

Download CAD data www.festo.com

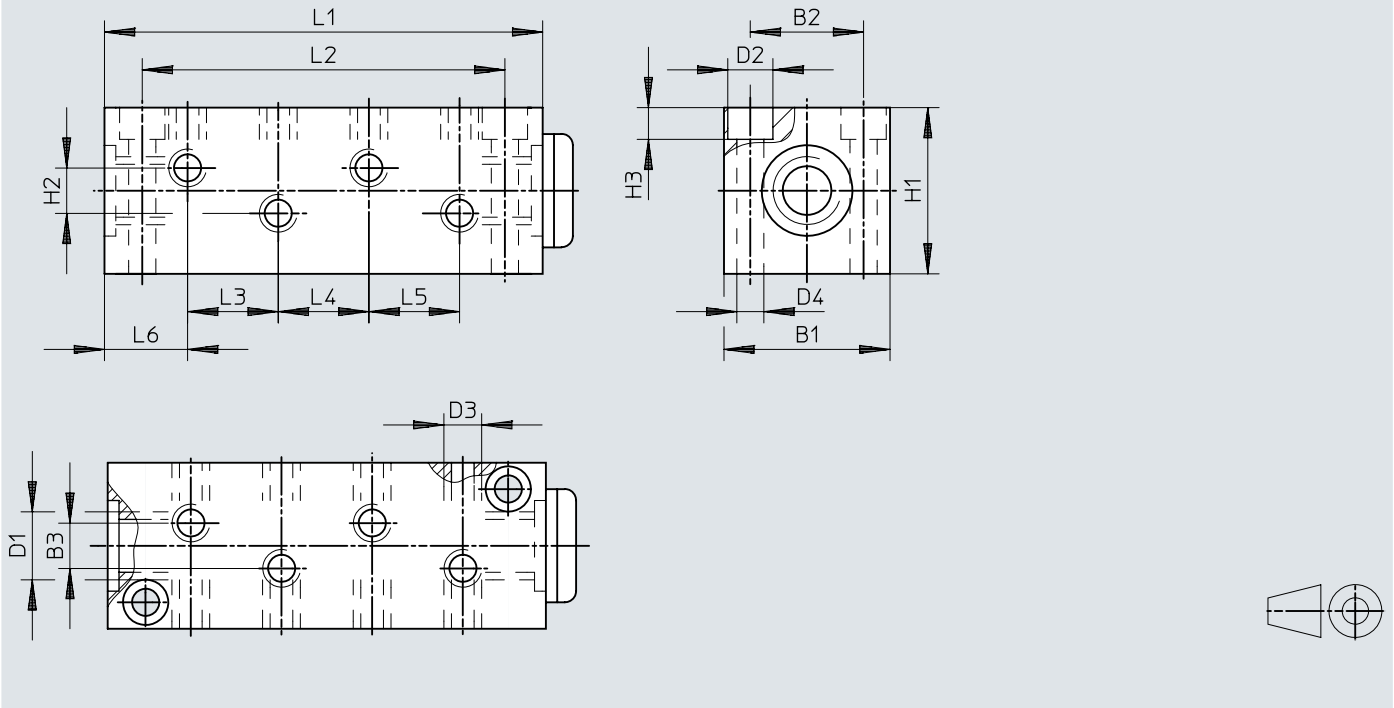


	B1	B2	D1	D2	D3 ∅	H1	H2	L1	L2	L3	L4	L5
FR-9-M3-B	15	8	G1/8	M3	3,3	15	9	34	10	7	7	3

Dimensions

Dimensions – Distributor block FR-12


Download CAD data www.festo.com



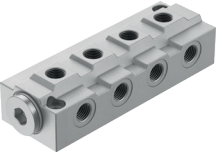
	B1	B2	B3	D1	D2	D3	D4	H1	H2	H3	L1	L2	L3	L4	L5	L6
FR-12-M5	22	15	6	G1/8	6	M5	3,6	22	6	4,2	58	48	12	12	12	11

Accessories


Distributor block FR-4 - 1 supply line, 3 outlets

	Pneumatic connection, port 1	Pneumatic connection, port 2	Nominal size	Material housing	Product weight	Part no.	Type
	Female thread G1/8	Female thread G1/8	8.6 mm	Die-cast aluminium	25 g	6701	FR-4-1/8-B
	Female thread G1/4	Female thread G1/4	11.5 mm	Aluminium, Anodised	60 g	7849	FR-4-1/4-C
					68 g	2960	FR-4-1/4
	Female thread G3/8	Female thread G3/8	15 mm	Die-cast aluminium	75 g	6703	FR-4-3/8-B
Female thread G1/2	Female thread G1/2	18.6 mm		120 g	6704	FR-4-1/2-B	


Distributor block FR-8 - 2 supply lines (one of which is closed with a blanking plug), 8 outlets

	Pneumatic connection, port 1	Pneumatic connection, port 2	Nominal size	Material housing	Product weight	Part no.	Type
	Female thread G3/8	Female thread G1/8	8.6 mm	Die-cast aluminium	135 g	2077	FR-8-1/8
	Female thread G1/2	Female thread G1/4	11.5 mm		230 g	2078	FR-8-1/4
	Female thread G3/4	Female thread G1/2	18.6 mm		1,000 g	6411	FR-8-1/2

Distributor block FR-9 - 1 supply line, 9 outlets

	Pneumatic connection, port 1	Pneumatic connection, port 2	Nominal size	Material housing	Product weight	Part no.	Type
	Female thread G1/8	Female thread M3	2.5 mm	Aluminium, Anodised	15 g	30981	FR-9-M3-B

Distributor block FR-12 - 2 supply lines (one of which is closed with a blanking plug), 12 outlets

	Pneumatic connection, port 1	Pneumatic connection, port 2	Nominal size	Material housing	Product weight	Part no.	Type
	Female thread G1/8	Female thread M5	4.1 mm	Aluminium, Anodised	40 g	4525	FR-12-M5