

Connecting component for suction cup LJK

FESTO



Characteristics

At a glance

Swivel fitting for suction cup VAS/VASB

- Elbow fitting with female thread
- Option for mounting the lateral air connection on the male thread of the hollow bolt
- Rerouting the air connection
- Swivel joint can be rotated 360°
- For decoupling from the mounting thread
- Material swivel fitting: Die-cast zinc
- Material seals: Nitrile rubber and steel/nitrile rubber

Datasheet

General technical data

Vacuum connection	M5	G1/8	G1/4
Suction cup mounting	M5	G1/8	G1/4
Mounting position	optional		
LABS (PWIS) conformity	VDMA24364-B1/B2-L		

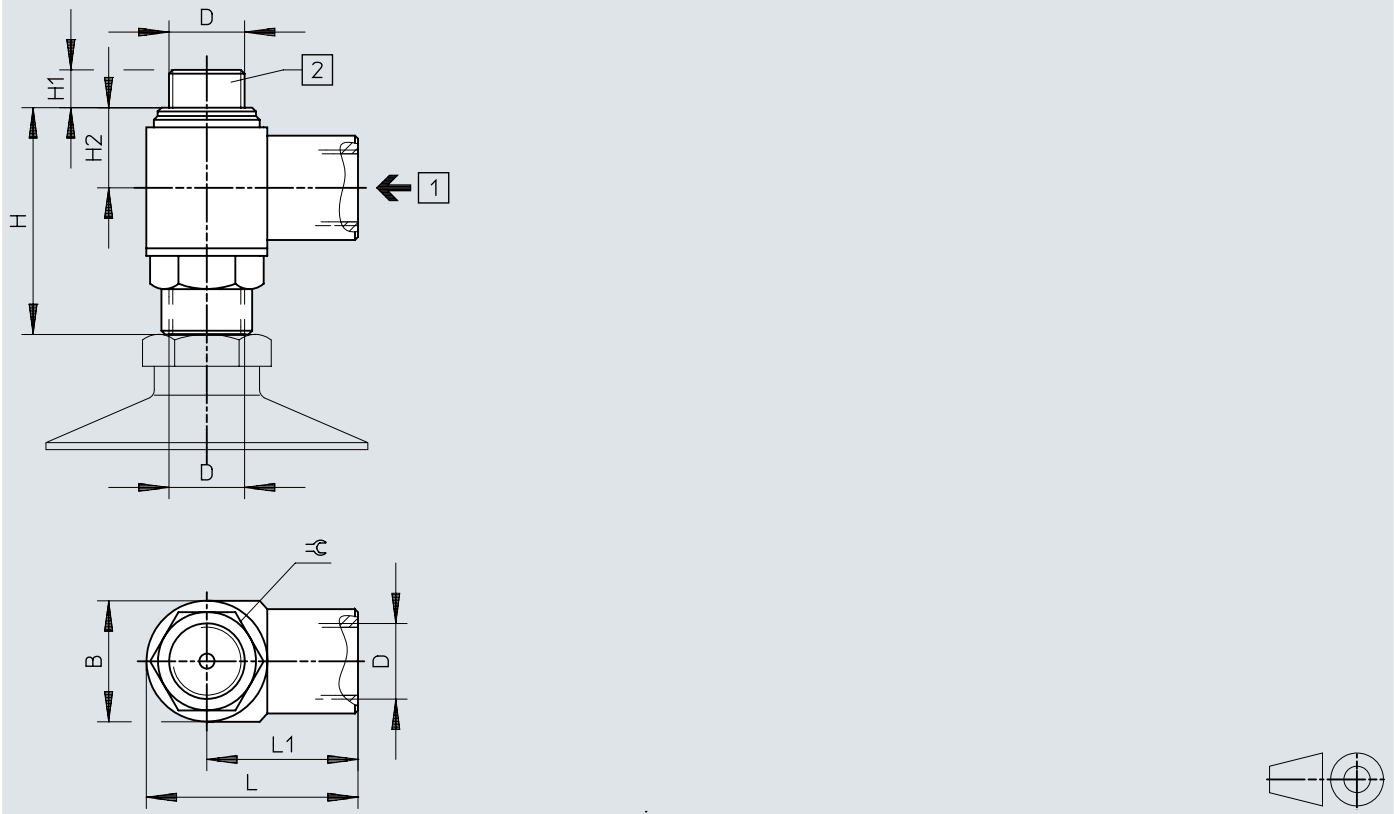
Operating and environmental conditions

Operating pressure	-0.95 ... 8 bar
Operating medium	Compressed air to ISO 8573-1:2010 [:-:-]
Ambient temperature	-10 ... 60°C

Dimensions

Dimensions – Elbow fitting LJK


Download CAD data www.festo.com



- [1] Supply port (vacuum)
- [2] Mounting thread

	B	D	H	H1	H2	L	L1	∅
LJK-M5-1/1	10	M5	20,3	3,8	7,5	17,5	12,5	8
LJK-1/8-1/1	16	G1/8	30	5	10,6	28	20	13
LJK-1/4-1/1	20	G1/4	39	8	13,5	36	26,5	17

Ordering data

Ordering data				
	Vacuum connection	Product weight	Part no.	Type
	M5	20 g	151783	LJK-M5-1/1
	G1/8	25 g	151784	LJK-1/8-1/1
	G1/4	50 g	151785	LJK-1/4-1/1