

Quick Exhaust Valves

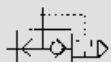
With Silencer G 1/8 to G 1/2 and 1/8" to 1/2" NPT

FESTO

Quick Exhaust Valve

With Built-in Silencer

Type SEU-...
SEU-...-NPT



Using this element, increased piston speeds can be attained in single-acting and double-acting cylinders.

Compressed air flows from the control valve to the cylinder by path 1 to 2. Exhaust (3) is then closed. If the pressure at 1 decreases, 2 is exhausted to 3 through the built-in silencer.

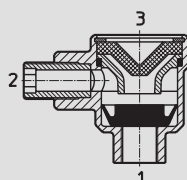
For effective performance, the quick exhaust valve must be mounted directly on the cylinder port.

Noise level is reduced by the silencer.

Accessories:

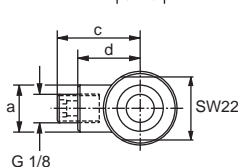
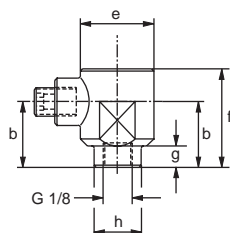
Type HSE-... mounting bracket

Example: Type SEU-1/4

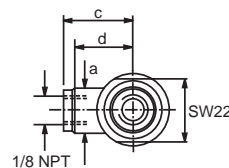
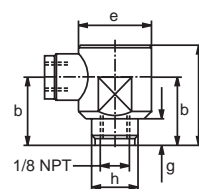


1 (P) = Supply
2 (A) = Outlet
3 (R) = Exhaust

Type SEU-1/8



Type SEU-1/8-NPT

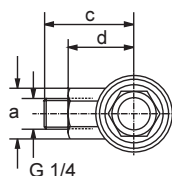
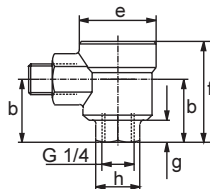


Type SEU-1/2

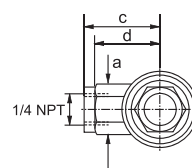
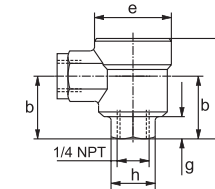


Type SEU-3/8

Type SEU-1/4



Type SEU-1/4-NPT



SW = Wrench size (mm)

Type	Dimensions							
	a in / mm	b in / mm	c in / mm	d in / mm	e in / mm	f in / mm	g in / mm	h in / mm
SEU-1/8	0.63 / 16.0	0.87 / 22.0	1.10 / 28.0	0.83 / 21.0	0.98 / 25.0	1.30 / 33.0	0.28 / 7.0	0.63 / 16.0
SEU-1/8-NPT	0.83 / 21.0	0.96 / 24.5	0.96 / 24.5	0.83 / 21.0	0.98 / 25.0	1.40 / 35.5	0.37 / 9.5	0.63 / 16.0
SEU-1/4	SW19	1.06 / 27.0	1.50 / 38.0	1.10 / 28.0	1.30 / 33.0	1.67 / 42.5	0.37 / 9.5	SW19
SEU-1/4-NPT	SW19	1.06 / 27.0	1.24 / 31.5	1.10 / 28.0	1.26 / 32.0	1.65 / 42.0	0.39 / 10.0	SW19

Order Number (Part No./Type)	ISO Connection NPT Connection	4616 SEU-1/8 9798 SEU-1/8-NPT	6753 SEU-1/4 9799 SEU-1/4-NPT	6755 SEU-3/8 9800 SEU-3/8-NPT	6822 SEU-1/2 9801 SEU-1/2-NPT
Mounting Hardware		8710 HSE-1/8	8711 HSE-1/4	8712 HSE-3/8	8713 HSE-1/2
Medium		Compressed air (filtered, lubricated or unlubricated)			
Mounting		Directly into cylinder port or with a mounting bracket			
Connection		G 1/8 ISO / 1/8 NPT	G 1/4 ISO / 1/4 NPT	G 3/8 ISO / 3/8 NPT	G 1/2 ISO / 1/2 NPT
Orifice Size		0.20 in / 5 mm	0.28 in / 7 mm	0.43 in / 11 mm	0.59 in / 15 mm
Standard Nominal Flow Rate	1 → 2 2 → 3	0.30 C _V / 300 l/min 0.39 C _V / 390 l/min	0.96 C _V / 960 l/min 1.10 C _V / 1100 l/min	2.88 C _V / 2880 l/min 2.28 C _V / 2280 l/min	4.56 C _V / 4560 l/min 4.02 C _V / 4020 l/min
Pressure Range*		7.5 to 150 psi / 0.5 to 10 bar			
Design		Seat Valve			
Release Noise †		86 dB (2)	85 dB (2)	83 dB (2)	86 dB (2)
Materials	Housing	Diecast Zn Al	Diecast Zn Al	Diecast Al Si	Diecast Al Si
	Seals	Buna N; Silencer: Sintered Bronze			
Weight		0.143 lb / 0.065 kg	0.264 lb / 0.120 kg	0.352 lb / 0.160 kg	0.705 lb / 0.320 kg

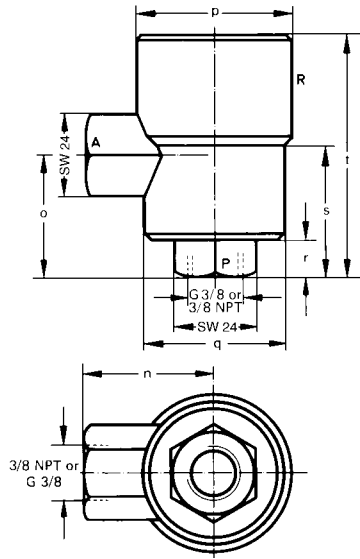
* -4 to +167° F / -20 to +75° C

† Measured at 90 psi / 6 bar, at a distance of 40 in / 1 m.

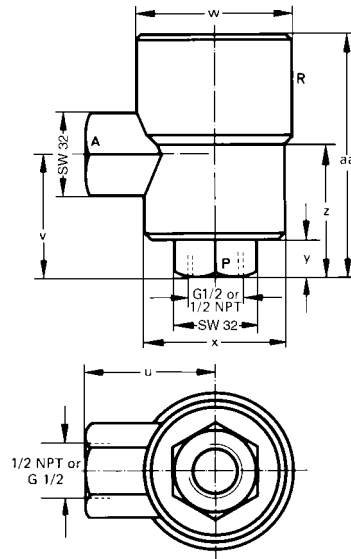
Quick Exhaust Valves

Dimensions, Type SEU-...

Type SEU-3/8 SEU-3/8-NPT



Type SEU-1/2 SEU-1/2-NPT

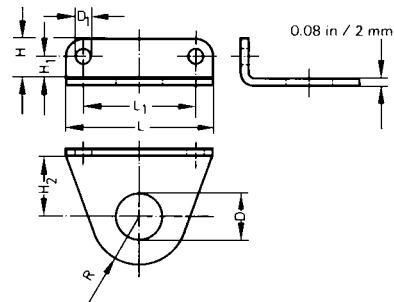


Dimensions

- n 1.50 in / 38 mm
- o 1.42 in / 36 mm
- p 1.79 in / 45.5 mm
- q 1.61 in / 41 mm
- r 0.43 in / 11 mm
- s 1.54 in / 39 mm
- t 2.80 in / 71 mm
- u 1.87 in / 47.5 mm
- v 1.77 in / 45 mm
- w 2.20 in / 56 mm
- x 1.89 in / 48 mm
- y 0.51 in / 13 mm
- z 1.95 in / 45.5 mm
- aa 3.56 in / 90.5 mm

SW = Wrench size (mm)

Type HSE-... Mounting Bracket



Type	D dia in / mm	D ₁ dia in / mm	H in / mm	H ₁ in / mm	H ₂ in / mm	L in / mm	L ₁ in / mm	R in / mm
HSE-1/8	0.39 / 10.0	0.18 / 4.5	0.43 / 11.0	0.24 / 6.0	0.53 / 13.5	1.57 / 40.0	1.18 / 30.0	0.39 / 10.0
HSE-1/4	0.52 / 13.2	0.18 / 4.5	0.43 / 11.0	0.24 / 6.0	0.67 / 17.0	1.65 / 42.0	1.26 / 32.0	0.55 / 14.0
HSE-3/8	0.66 / 16.8	0.22 / 5.5	0.51 / 13.0	0.28 / 7.0	0.92 / 23.5	2.13 / 54.0	1.65 / 42.0	0.51 / 13.0
HSE-1/2	0.83 / 21.0	0.22 / 5.5	0.63 / 16.0	0.31 / 8.0	1.14 / 29.0	2.60 / 66.0	1.97 / 50.0	0.67 / 17.0

Festo - Your Partner in Automation



1 Festo Inc.
5300 Explorer Drive
Mississauga, ON L4W 5G4
Canada

Festo Customer Interaction Center
Tel: 1 877 463 3786
Fax: 1 877 393 3786
Email: customer.service.ca@festo.com



2 Festo Pneumatic
Av. Ceylán 3,
Col. Tequesquináhuac
54020 Tlalnepantla,
Estado de México

Multinational Contact Center
01 800 337 8669
ventas.mexico@festo.com



3 Festo Corporation
1377 Motor Parkway
Suite 310
Islandia, NY 11749

Festo Customer Interaction Center
1 800 993 3786
1 800 963 3786
customer.service.us@festo.com



4 Regional Service Center
7777 Columbia Road
Mason, OH 45040

Connect with us



www.festo.com/socialmedia



www.festo.com

Subject to change