

# Rod Accessories

## Rod Clevis, Type SG/CRSG, Inch and Metric Series

**FESTO**

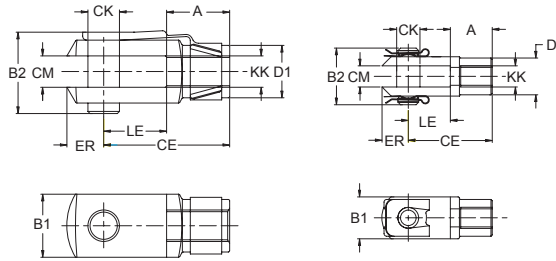
### Rod Clevis, Inch Series

For Pivotal Cylinder Mount  
For Inch Series Cylinders

#### Type SG-...

A rod clevis is installed on the front end of the piston rod when using a clevis or pivot mount on a cylinder.

Type SG-...



Order Number	For Rod Thread	A	B1	B2	CE	CK Rod	CM	D1	ER	LE	Material
Part No.	Type	KK	inch	inch	inch	inch	inch	inch	inch	inch	
546552	SG-UNF10-32-B	10-32 UNF	0.394	0.375	0.49	0.788	0.16	0.16	0.354	0.236	Equivalent to SAE 12 L 14
546548	SG-UNF1/4"-28-B	1/4-28 UNF	0.472	0.500	0.64	0.944	0.24	0.24	0.394	0.276	
546574	SG-UNF5/16"-24-B	5/16-24 UNF	0.630	0.630	0.79	1.260	0.31	0.31	0.551	0.39	
546540	SG-UNF3/8"-24-B	3/8-24 UNF	0.787	0.750	0.95	1.574	0.39	0.39	0.708	0.473	
546545	SG-UNF1/2"-20-B	1/2-20 UNF	1.102	1.000	1.21	2.204	0.47	0.47	0.945	0.630	
546575	SG-UNF5/8"-18-B	5/8-18 UNF	1.260	1.250	1.47	2.520	0.63	0.63	1.024	0.748	
546576	SG-UNF3/4"-16-B	3/4-16 UNF	1.575	1.575	2.055	3.150	0.79	0.79	1.339	0.984	

### Rod Clevis, Metric Series

For Pivotal Cylinder Mount, includes Hex Nut, per DIN 439 for Metric Series Cylinders.

Types SG-M4 to SG-M16 x 1.5 and types CRSG-M6 to CRSG-M16 x 1.5 are designed to specifications DIN 71752 / DIN 8140.

#### Type SG-...

Material: Galvanized steel

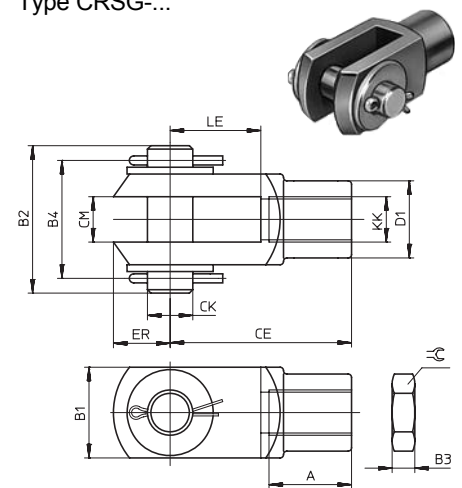
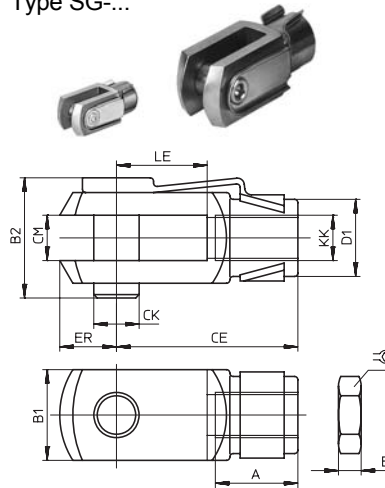
#### Type CRSG-...

Stainless Steel X12CrNiS188

Corrosion and acid-resistant design.

Type SG-...

Type CRSG-...



Order Number	For Piston Rod Thread	Weight	Dimensions												
Part No.	Type	KK	lb / kg	A	B1	B2	B3	B4	CE	CK / CM	D1	ER	LE	⌀	
				in / mm	in / mm	in / mm	in / mm	in / mm	in / mm	in / mm	in / mm	in / mm	in / mm	mm	
6532	SG-M4 *2	M4	0.022 / 0.010	0.31 / 8	0.31 / 8	0.43 / 11	0.09 / 2.2	-	0.63 / 16	0.16 / 4	0.31 / 8	0.20 / 5	0.31 / 8	7	
3110	SG-M6 *1/2	M6	0.044 / 0.020	0.47 / 12	0.47 / 12	0.63 / 16	0.13 / 3.2	-	0.94 / 24	0.24 / 6	0.39 / 10	0.27 / 7	0.47 / 12	10	
3111	SG-M8 *1/2	M8	0.110 / 0.050	0.63 / 16	0.63 / 16	0.85 / 21.5	0.16 / 4	-	1.26 / 32	0.31 / 8	0.55 / 14	0.39 / 10	0.63 / 16	13	
2674	SG-M10 *2	M10	0.220 / 0.100	0.79 / 20	0.79 / 20	1.02 / 26	0.20 / 5	-	1.57 / 40	0.39 / 10	0.71 / 18	0.47 / 12	0.79 / 20	17	
6144	SG-M10 x 1.25 *1/2	M10 x 1.25	0.220 / 0.100	0.79 / 20	0.79 / 20	1.02 / 26	0.20 / 5	-	1.57 / 40	0.39 / 10	0.71 / 18	0.47 / 12	0.79 / 20	17	
2675	SG-M12 *2	M12	0.353 / 0.160	0.94 / 24	0.94 / 24	1.22 / 31	0.24 / 6	-	1.89 / 48	0.47 / 12	0.79 / 20	0.55 / 14	0.94 / 24	19	
6145	SG-M12 x 1.25 *1/2	M12 x 1.25	0.364 / 0.165	0.94 / 24	0.94 / 24	1.22 / 31	0.24 / 6	-	1.89 / 48	0.47 / 12	0.79 / 20	0.55 / 14	0.94 / 24	19	
2676	SG-M16 *2	M16	0.783 / 0.355	1.26 / 32	1.26 / 32	1.54 / 39	0.31 / 8	-	2.52 / 64	0.63 / 16	1.02 / 26	0.75 / 19	1.26 / 32	24	
6146	SG-M16 x 1.5 *1/2	M16 x 1.5	0.739 / 0.335	1.26 / 32	1.26 / 32	1.54 / 39	0.31 / 8	-	2.52 / 64	0.63 / 16	1.02 / 26	0.75 / 19	1.26 / 32	24	
2677	SG-M20	M20	0.697 / 0.770	0.94 / 24	1.57 / 40	2.09 / 53	0.39 / 10	-	2.40 / 60	0.79 / 20	-	0.94 / 24	1.42 / 36	30	
6147	SG-M20 x 1.5 *1	M20 x 1.5	1.587 / 0.720	1.57 / 40	1.57 / 40	2.09 / 53	0.39 / 10	-	3.10 / 80	0.79 / 20	1.34 / 34	0.98 / 25	1.57 / 40	30	
2678	SG-M24	M24	3.174 / 1.440	1.26 / 32	1.97 / 50	2.56 / 65	0.47 / 12	-	2.84 / 72	0.94 / 24	-	1.02 / 26	1.57 / 40	36	
14987	SG-M27 x 2-B *1	M27 x 2	3.245 / 1.475	2.20 / 56	2.17 / 55	2.91 / 74	0.53 / 13.5	-	4.33 / 110	1.18 / 30	1.89 / 48	1.50 / 38	2.13 / 54	41	
9581	SG-M36 x 2 *1	M36 x 2	9.058 / 4.080	2.20 / 56	2.76 / 70	3.56 / 90.5	0.71 / 18	-	5.67 / 144	1.38 / 35	2.36 / 60	1.73 / 44	2.83 / 72	55	
9582	SG-M42 x 2 *1	M42 x 2	15.407 / 6.940	2.56 / 65	3.35 / 85	4.31 / 109.5	0.83 / 21	-	6.61 / 168	1.57 / 40	2.76 / 70	2.52 / 64	3.31 / 84	65	
9583	SG-M48 x 2 *1	M48 x 2	22.070 / 10.010	2.95 / 75	3.34 / 90	4.72 / 120	0.94 / 24	-	7.56 / 192	1.97 / 50	3.75 / 80	2.87 / 73	3.78 / 96	75	
Stainless Steel or Option -S9 Metric Series															
13567	CRSG-M6 *1/2	M6	0.055 / 0.025	0.47 / 12	0.47 / 12	0.88 / 22.4	0.13 / 3.2	0.69 / 17.4	0.94 / 24	0.24 / 6	0.39 / 10	0.28 / 7	0.47 / 12	10	
13568	CRSG-M8 *1/2	M8	0.121 / 0.055	0.63 / 16	0.63 / 16	1.10 / 28	0.16 / 4	0.87 / 22	1.26 / 32	0.31 / 8	0.55 / 14	0.39 / 10	0.63 / 16	13	
13569	CRSG-M10 x 1.25 *1/2	M10 x 1.25	0.243 / 0.110	0.79 / 20	0.79 / 20	1.42 / 36	0.20 / 5	1.10 / 28	1.57 / 40	0.39 / 10	0.71 / 18	0.47 / 12	0.79 / 20	17	
13570	CRSG-M12 x 1.25 *1/2	M12 x 1.25	0.397 / 0.180	0.94 / 24	0.94 / 24	1.73 / 44	0.24 / 6	1.34 / 34	1.89 / 48	0.47 / 12	0.79 / 20	0.55 / 14	0.94 / 24	19	
13571	CRSG-M16 x 1.5	M16 x 1.5	0.871 / 0.395	1.26 / 32	1.26 / 32	2.09 / 53	0.31 / 8	1.69 / 43	2.52 / 64	0.63 / 16	1.02 / 26	0.75 / 19	1.26 / 32	24	
13572	CRSG-M20 x 1.5 *1	M20 x 1.5	1.764 / 0.800	1.57 / 40	1.57 / 40	2.56 / 65	0.39 / 10	2.05 / 52	3.15 / 80	0.79 / 20	1.34 / 34	0.98 / 25	1.57 / 40	30	

\*1 DIN ISO 8140 \*2 DIN 71752

# Festo - Your Partner in Automation



**1 Festo Inc.**  
5300 Explorer Drive  
Mississauga, ON L4W 5G4  
Canada

**Festo Customer Interaction Center**  
Tel: 1 877 463 3786  
Fax: 1 877 393 3786  
Email: [customer.service.ca@festo.com](mailto:customer.service.ca@festo.com)



**2 Festo Pneumatic**  
Av. Ceylán 3,  
Col. Tequesquináhuac  
54020 Tlalnepantla,  
Estado de México

**Multinational Contact Center**  
01 800 337 8669  
[ventas.mexico@festo.com](mailto:ventas.mexico@festo.com)



**3 Festo Corporation**  
1377 Motor Parkway  
Suite 310  
Islandia, NY 11749

**Festo Customer Interaction Center**  
1 800 993 3786  
1 800 963 3786  
[customer.service.us@festo.com](mailto:customer.service.us@festo.com)



**4 Regional Service Center**  
7777 Columbia Road  
Mason, OH 45040

Connect with us



[www.festo.com/socialmedia](http://www.festo.com/socialmedia)



[www.festo.com](http://www.festo.com)

Subject to change