

Pneumatic counter PZA, PZV

FESTO



Characteristics

At a glance

PZA: Adding counters have 6 digits and count upwards, i.e. the relevant signals are added. When reset, the number 000 000 appears.

A pneumatic signal switches the counter by one half step, so the first half of the number is visible. After the signal ends, the number becomes fully visible at the 2nd half step.

The counter can be reset manually by pressing a button. It can also be reset pneumatically using a compressed air signal.

While it is being reset, no counting signal can be received or be present.

- Base mounting
- Front panel mounted

PZV: Preset counters count pneumatic signals backwards from a preselected number. Once the zero position is reached, the counter gives a pneumatic output signal.

This output signal remains until the counter is reset.

The counter is preset by pressing the reset button and entering the preset value at the same time.

Once the number has been preset, it is retained for resetting the counter in future.

- Subtraction counting mode
- Manual and pneumatic reset
- Protective cap

Datasheet

General technical data		
Short type code	PZA	PZV
Pneumatic connection	M5	
Design	Mechanical sequence counter with pneumatic drive	
Type of reset	Pushbutton or pneumatic signal	
Type of mounting	Front panel mounting, With through-hole	Front panel mounting
Display	6-digit	5-digit
Drop-off pressure drive	< 0.15 bar, 0.2 ± 0.1 bar	0.2 ± 0.1 bar
Drop-off pressure reset	< 0.15 bar, 0.15 ± 0.1 bar	0.15 ± 0.1 bar
Response pressure drive	> 0.8 bar, 0.6 ± 0.2 bar	0.6 ± 0.2 bar
Response pressure reset	2 bar, 0.6 ± 0.2 bar	–
Min. reset pressure	2 bar	
Min. pulse length drive	8 ... 10 ms	10 ms
Min. pulse length reset	150 ... 180 ms	180 ms
Min. pause period drive	10 ... 15 ms	15 ms
Min. pause period reset	50 ms	

Operating and environmental conditions		
Short type code	PZA	PZV
Operating pressure	2 ... 8 bar	
Operating medium	Compressed air to ISO 8573-1:2010 [7:4:4]	
Note on operating and pilot medium ¹⁾	Lubricated operation not possible Lubricated operation possible	Lubricated operation possible (in which case lubricated operation will always be required) Lubricated operation not possible
Ambient temperature	-10 ... 60°C	0 ... 60°C

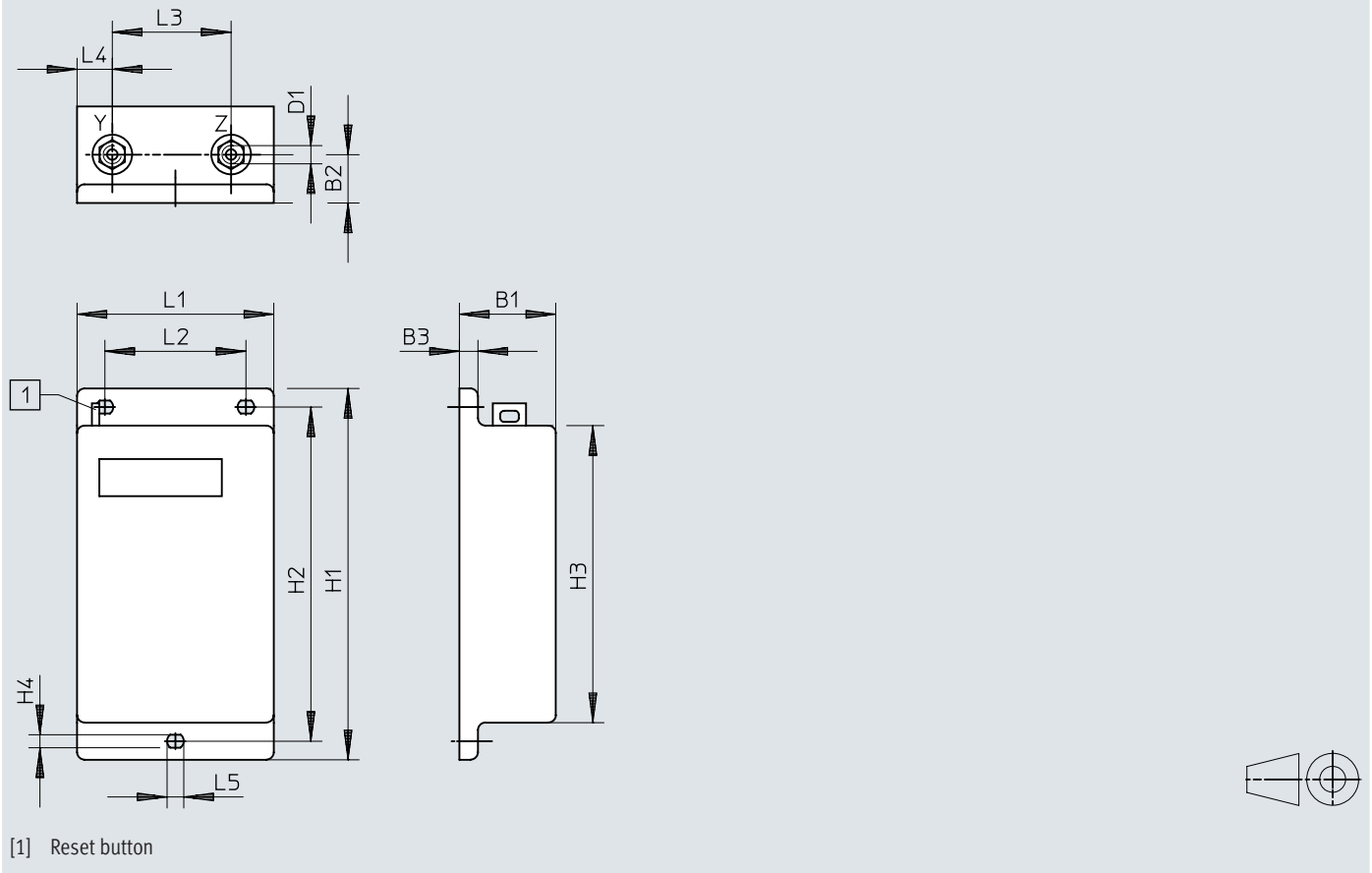
1) See also ordering information

Materials	
Material housing	ABS, PA
LABS (PWIS) conformity	VDMA24364-B1/B2-L

Dimensions

Dimensions – Adding counters – Base mounting PZA-A-B

Download CAD data → www.festo.com

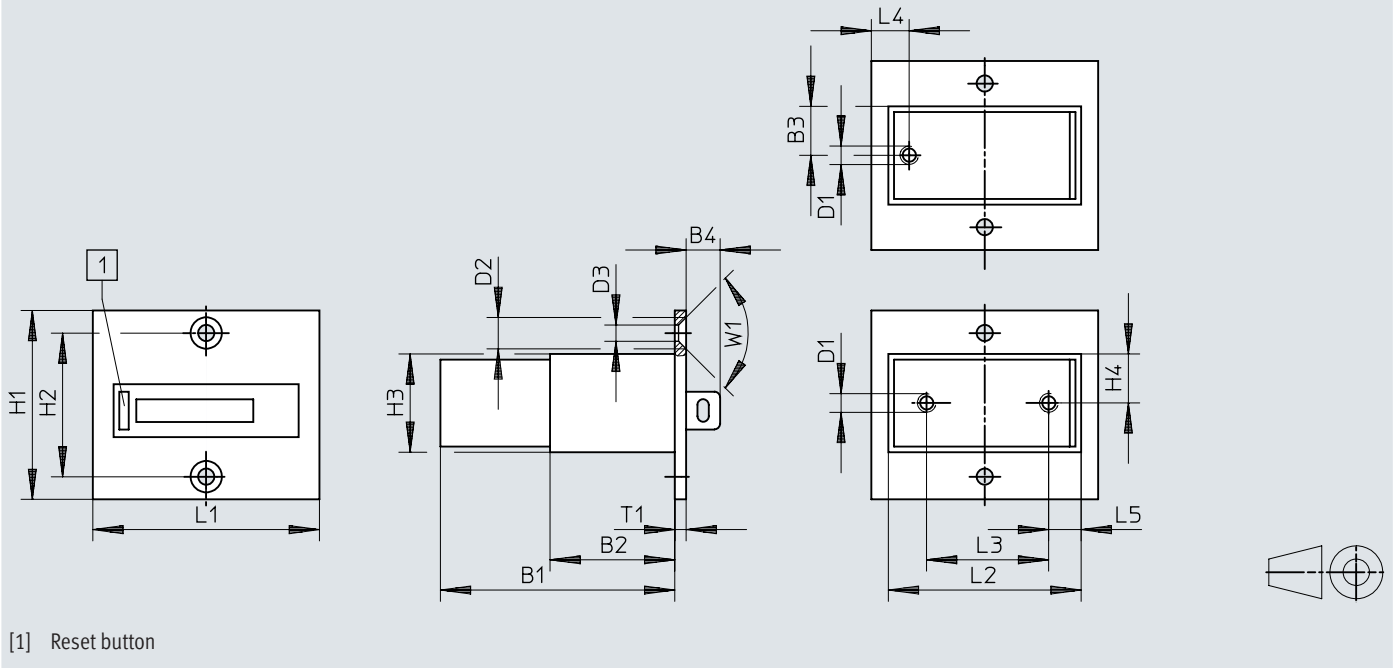


	B1	B2	B3	D1	H1	H2	H3	H4	L1	L2	L3	L4	L5
PZA-A-...	26	13	5	M5	100	90	80	3,5	53	38	32	9,5	4,5

Dimensions

Dimensions – Adding counters – Front panel mounting PZA-E-C

Download CAD data → www.festo.com

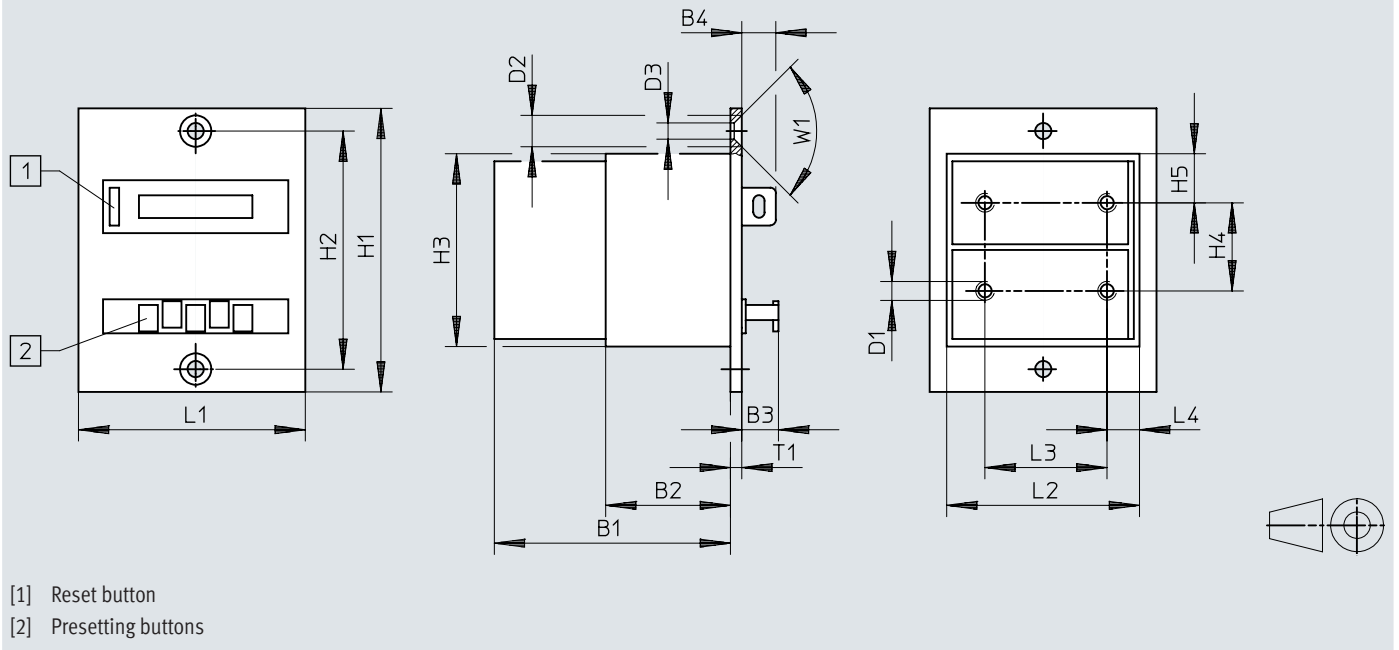


	B1	B2	B3	B4	D1	D2 ∅	D3 ∅	H1	H2	H3	H4	L1	L2	L3	L4	L5	T1	W1
PZA-E...-C	62	33	13	9	M5	8,3	4,3	50	38	26	13	60	51	32,3	10	8,6	3	90°

Dimensions

Dimensions – Preset counter – Base mounting PZV-E-C

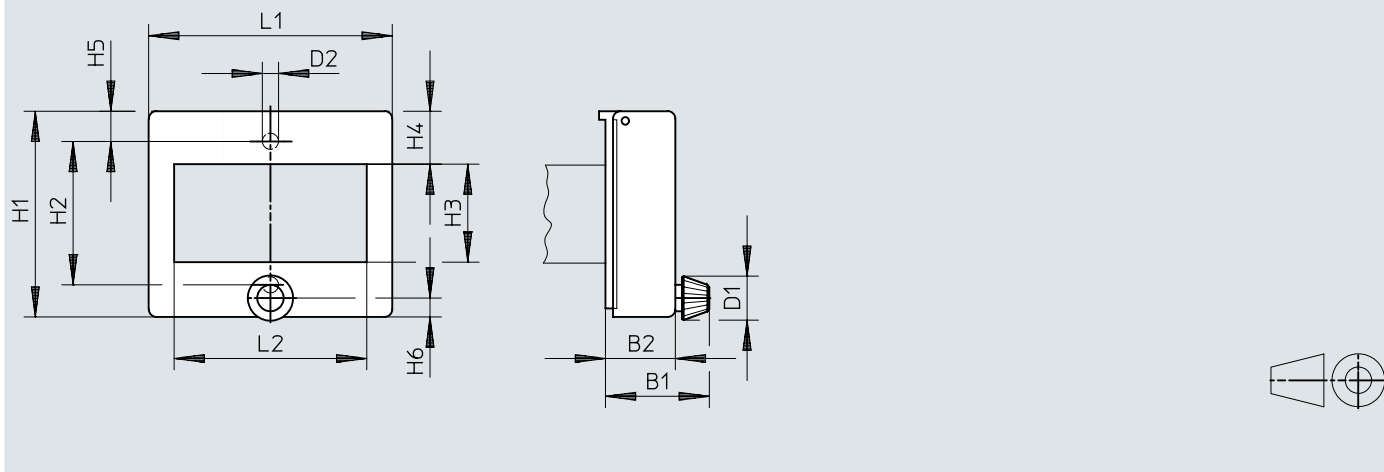
Download CAD data → www.festo.com



	B1	B2	B3	B4	D1	D2 ∅	D3 ∅	H1	H2	H3	H4	H5	L1	L2	L3	L4	T1	W1
PZV-E-C	62,5	33	9,7	9	M5	8,3	4,3	75	63	51	23,3	13	60	51	32,3	8,6	3	90°

Dimensions

Dimensions – Protective cap with rotary knob PZ-SK-1

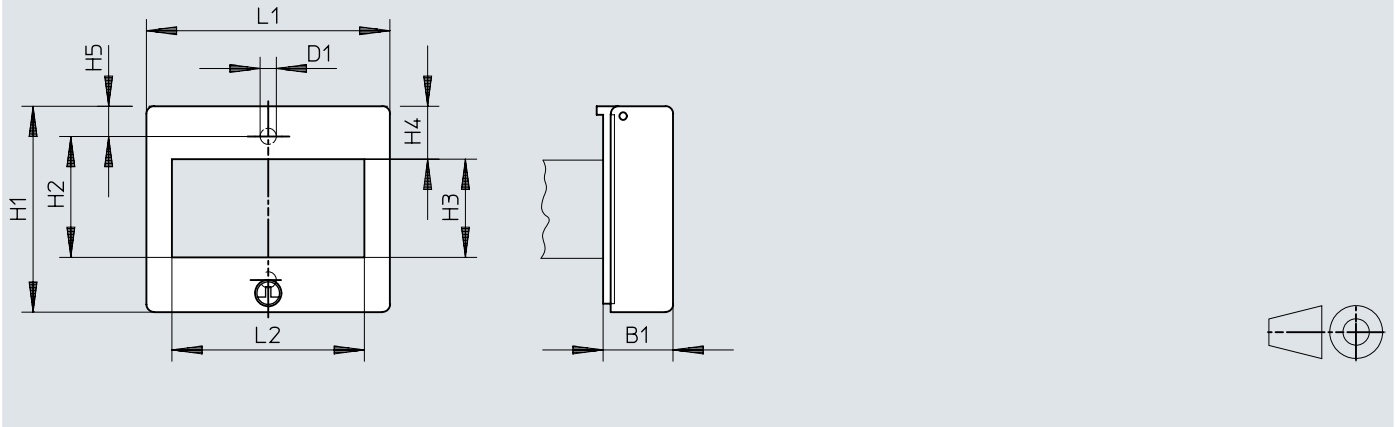
Download CAD data → www.festo.com

	B1	B2	D1 ∅	D2 ∅	H1	H2	H3	H4	H5	H6	L1	L2
PZ-SK-1	27,5	18,5	12	4,3	54,5	38	26	14	8	5	64,5	51

Dimensions

Dimensions – Protective cap with lock PZ-SS-1

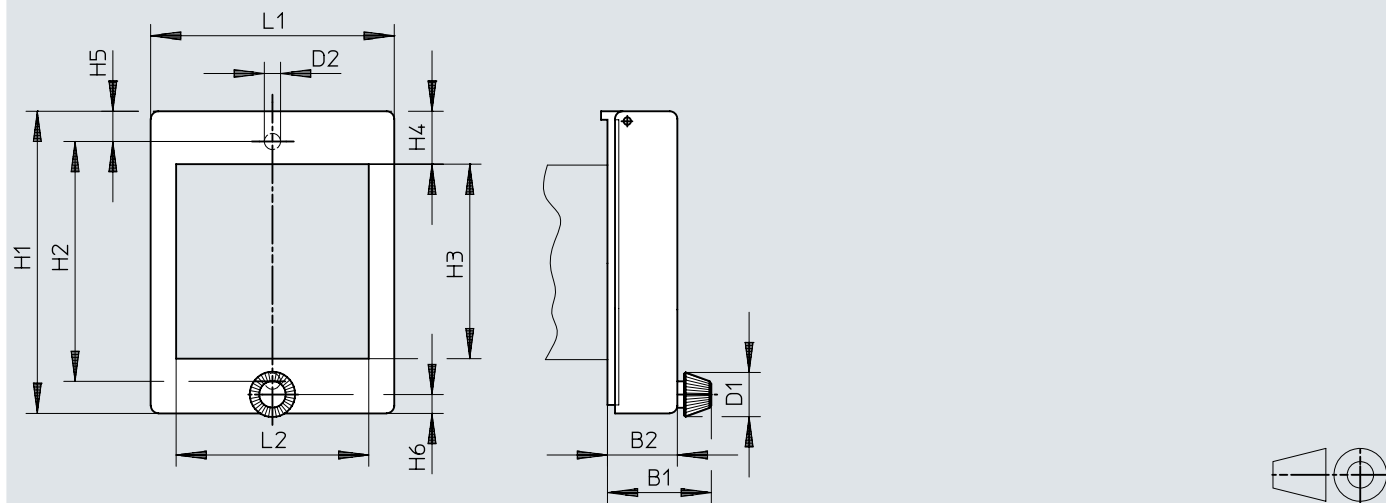
Download CAD data → www.festo.com



	B1	D1 ∅	H1	H2	H3	H4	H5	L1	L2
PZ-SS-1	18,5	4,3	54,5	32	26	14	8	64,5	51

Dimensions

Dimensions – Protective cap with rotary knob PZ-SK-2

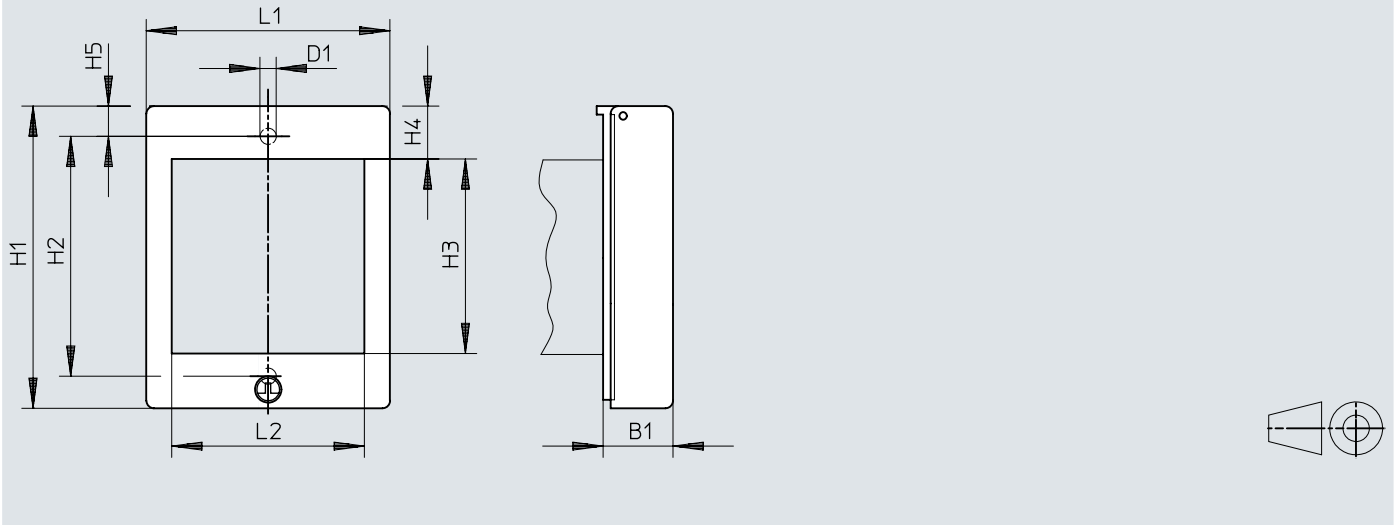
Download CAD data → www.festo.com

	B1	B2	D1 ∅	D2 ∅	H1	H2	H3	H4	H5	H6	L1	L2
PZ-SK-2	27,5	18,5	12	4,3	80	63	51	14	8	5	64,5	51

Dimensions


Dimensions – Protective cap with lock PZ-SS-2


Download CAD data → www.festo.com



	B1	D1 ∅	H1	H2	H3	H4	H5	L1	L2
PZ-SS-2	18,5	4,3	80	63	51	14	8	64,5	51

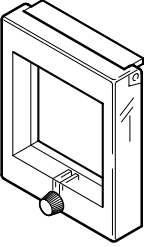
Ordering data

Ordering data – Adding counter					
	Pneumatic connection	Note on operating and pilot medium	Product weight	Part no.	Type
	M5	Lubricated operation not possible	155 g	14992	PZA-A-B
		Lubricated operation possible	70 g	8606	PZA-E-C

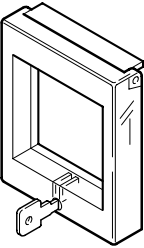
Ordering data – Preset counter					
	Pneumatic connection	Note on operating and pilot medium	Product weight	Part no.	Type
		Lubricated operation possible (in which case lubricated operation will always be required)		13987	PZV-S-E-AUT
		Lubricated operation not possible		8605	PZV-S-E
	M5		150 g	15608	PZV-E-C

Accessories

Protective cap with rotary knob for adding counter (PZ-SK-1) or for preset counter (PZ-SK-2)

	Short type code	LABS (PWIS) conformity	Part no.	Type
	PZ	VDMA24364-B1/B2-L	14663	PZ-SK-2
			14662	PZ-SK-1

Protective cap with lock for adding counter (PZ-SS-1) or for preset counter (PZ-SS-2)

	Short type code	LABS (PWIS) conformity	Part no.	Type
	PZ	VDMA24364-B1/B2-L	13966	PZ-SS-2
			13965	PZ-SS-1