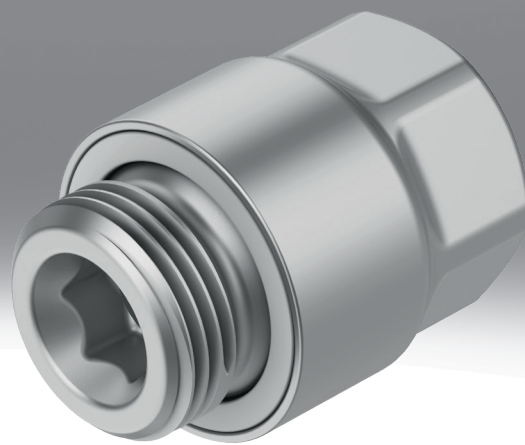


## Fitting NPCK

**FESTO**



## Characteristics

### At a glance

Stainless steel fitting for use in areas subject to intensive cleaning.

- Maximum corrosion resistance CRC4
- Suitable plastic tubing: PAN, PFAN, PFTEN, PEN, PLN, PUN-H, PUN-H-DUO, PUN-H-F

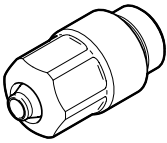
### Product version

[C] Easy-to-clean design

Fulfils all clean design requirements

### Design

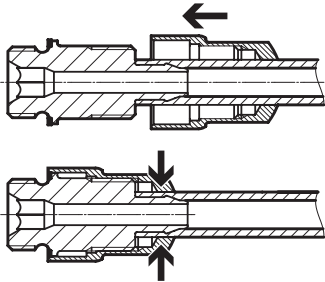
[D] Straight



### Pneumatic connection 1

The screwed plug is screwed onto the counterpart with the sealing ring and tightened according to the nominal tightening torque.

### Pneumatic connection 2



Screw the union nut into the screwed plug until there is resistance from the counterpart. The tubing is attached and the sealing ring is pressed between the sealing surface, the screwed plug and the union nut.

## Type code

001	Series	004	Pneumatic connection 1
NPCK	Fitting	G14	G1/4
		G18	G1/8
		G38	G3/8
		M5	M5
002	Product version	005	Pneumatic connection 2
C	Easy-to-clean design	K4	Terminal connection 4 mm
		K6	Terminal connection 6 mm
		K8	Terminal connection 8 mm
		K10	Terminal connection 10 mm
003	Design		
D	Straight		

## Datasheet

## General technical data

Pneumatic connection, port 1	Male thread M5	Male thread G1/8		Male thread G1/4	Male thread G3/8
Pneumatic connection, port 2	For tubing outside diameter of 4 mm	For tubing outside diameter of 6 mm	For tubing outside diameter of 8 mm		For tubing outside diameter of 10 mm
Nominal size	2 mm	2.9 mm	4.9 mm	6.1 mm	6.2 mm
Design	Straight design				
Mounting position	optional				
Type of seal on screwed plug	O-ring	Sealing ring			
Nominal torque	1.5 Nm	6.5 Nm	20 Nm		35 Nm
Note on the nominal tightening torque <sup>1)</sup>	–	4 Nm +/- 10% for NPCK to MPA-C		7 Nm +/- 10% for NPCK on MPA-C	
Tolerance for nominal tightening torque	± 10%				
Degree of protection	IP69K				

1) The nominal tightening torque MPA-C applies to the connector used for mounting the fitting NPCK on the valve terminal MPA-C. The union nut for the NPCK must not exceed these values. The plastic tubing PUN-H is to be used.

## Operating and environmental conditions

Operating pressure complete temperature range	-0.095 ... 1.2 MPa
Operating pressure complete temperature range	-0.95 ... 12 bar
Operating pressure complete temperature range	-13.775 ... 174 psi
Note on operating pressure	Water: max. 0.6 MPa at 0 - 85°C Water vapour: 0 – 0.15 MPa, 0 – 1.5 bar, 0 – 22 psi
Operating medium	Compressed air to ISO 8573-1:2010 [7:-:-], Water (liquid, ice-free), Water vapour
Note on operating and pilot medium	Lubricated operation possible
Note on temperature of medium	Water vapour: max. 120°C
Ambient temperature <sup>1)</sup>	-20 ... 120°C
Note on ambient temperature	The NPCK can be used from -40 to 60 °C when using suitable tubing and observing the maximum operating pressure of the tube.
Corrosion resistance class CRC <sup>2)</sup>	4 - Very high corrosion stress
Suitable for use with food <sup>3)</sup>	See supplementary material information

1) Other options: The fitting can be used in the temperature range from -40 +60°C when suitable tubing is used. The maximum permissible operating pressure of the tubing must not be exceeded.

2) More information: [www.festo.com/x/topic/crc](http://www.festo.com/x/topic/crc)

3) More information: [www.festo.com/catalogue/npck](http://www.festo.com/catalogue/npck) → Support/Downloads.

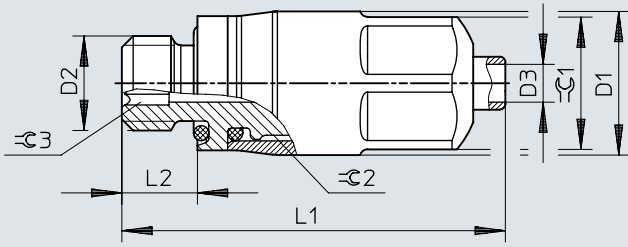
## Materials

Pneumatic connection, port 1	Male thread M5	Male thread G1/8		Male thread G1/4	Male thread G3/8
Pneumatic connection, port 2	For tubing outside diameter of 4 mm	For tubing outside diameter of 6 mm	For tubing outside diameter of 8 mm		For tubing outside diameter of 10 mm
Material screwed plug	High-alloy stainless steel				
Material union nut	High-alloy stainless steel				
Material sealing ring	EPDM	PEEK			
Note on materials	RoHS-compliant				
LABS (PWIS) conformity	VDMA24364-B2-L		VDMA24364 zone III		
Suitability for the production of Li-ion batteries	Metals with more than 1% by mass of copper, zinc or nickel by mass are excluded from use. Exceptions are nickel in steel, chemically nickel-plated surfaces, printed circuit boards, cables, electrical plug connectors and coils				

## Dimensions

### Dimensions – Fittings NPCK, external thread M5

Download CAD data → [www.festo.com](http://www.festo.com)

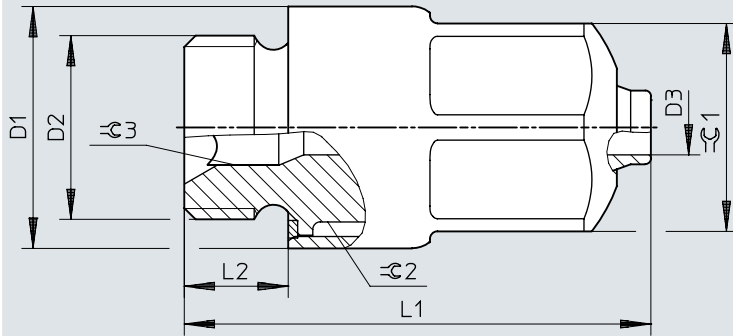


	D1 ∅	D2	D3 ∅	L1	L2	∅1	∅2	∅3
NPCK-C-D-M5-K4	7,6	M5	2	20,3	4	7	5,5	2

## Dimensions

Dimensions – Fittings NPCK, male G thread

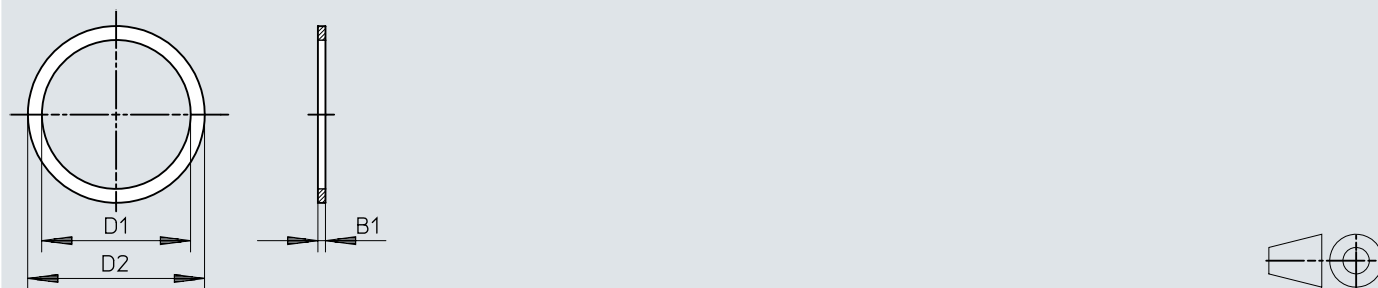
Download CAD data → [www.festo.com](http://www.festo.com)



	D1 ∅	D2	D3 ∅	L1	L2	ϕ1	ϕ2	ϕ3
NPCK-C-D-G18-K6	12,8	G1/8	2,9	24,7	5,5	11	10	4
NPCK-C-D-G18-K8			4,9					5
NPCK-C-D-G14-K8	17,9	G1/4	4,9	28,1	6,4	15	14	6
NPCK-C-D-G14-K10			6,1	30,4				
NPCK-C-D-G38-K10	21,8	G3/8	6,2	33,7	7,4	19	18	6


## Dimensions

## Dimensions – Sealing ring NPAS

Download CAD data → [www.festo.com](http://www.festo.com)

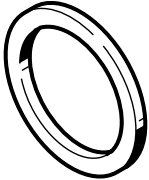
	B1	D1 ∅	D2 ∅
NPAS-C1-R-G18-P-FD-P10	0,5	9,9	11,7
NPAS-C1-R-G14-P-FD-P10	0,5	13,3	16,6
NPAS-C1-R-G38-P-FD-P10	1	16,8	20,7

## Ordering data

Ordering data						
	Pneumatic connection, port 1	Pneumatic connection, port 2	Nominal size	Product weight	Part no.	Type
	Male thread M5	For tubing outside diameter of 4 mm	2 mm	4.2 g	<b>1857681</b>	<b>NPCK-C-D-M5-K4</b>
	Male thread G1/8	For tubing outside diameter of 6 mm	2.9 mm	14.1 g	<b>1366257</b>	<b>NPCK-C-D-G18-K6</b>
			4.9 mm	13.4 g	<b>1490383</b>	<b>NPCK-C-D-G18-K8</b>
	Male thread G1/4	For tubing outside diameter of 8 mm	6.1 mm	28.85 g	<b>1691701</b>	<b>NPCK-C-D-G14-K8</b>
	Male thread G3/8	For tubing outside diameter of 10 mm		6.2 mm	32.9 g	<b>1489336</b>
			51.15 g	<b>1489614</b>	<b>NPCK-C-D-G38-K10</b>	



## Accessories

Sealing ring NPAS							
	Pneumatic connection	Nominal torque	Tolerance for nominal tightening torque	Size of pack	Product weight	Part no.	Type
	G1/8	6.5 Nm	± 10%	10	0.02 g	2652516	NPAS-C1-R-G18-P-FD-P10
	G1/4	20 Nm			0.05 g	2652517	NPAS-C1-R-G14-P-FD-P10
	G3/8	35 Nm			0.15 g	2652519	NPAS-C1-R-G38-P-FD-P10