

Connecting cable NEBP

FESTO

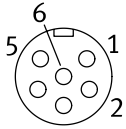


Datasheet

General technical data

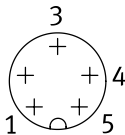
Cable designation	With accessories
Additional functions	Product-specific pin allocation

Technical data – Electrical connection 1



Electrical connection 1, connector system	M16x0.75
Electrical connection 1, function	Field device side
Electrical connection 1, connection type	Socket
Electrical connection 1, cable outlet	Angled
Electrical connection 1, design	Round
Electrical connection 1, number of connections/cores	6
Electrical connection 1, used connections/cores	4
Electrical connection 1, type of mounting	Screw-type lock

Technical data – Electrical connection 2



Electrical connection 2, function	Controller side
Electrical connection 2, connection type	Plugs
Electrical connection 2, cable outlet	Angled
Electrical connection 2, design	Round
Electrical connection 2, connector system	M9x0.5
Electrical connection 2, number of connections/cores	5
Electrical connection 2, used connections/cores	4
Electrical connection 2, type of mounting	Screw-type lock
Electrical connection 2, tightening torque	0.4 Nm

Datasheet

Technical data – Electrical components

Operational voltage range DC	0 ... 30 V
Immunity to surge	0.5 kV
Current rating at 40° C	3 A
Note on permissible current load at 40°C	2.3 A for 0.34 mm ² 3.6 A for 0.49 mm ²
Pollution degree	1
Shielding	yes

Technical data – Cable

Cable diameter	5.5 mm
Cable characteristic	Suitable for energy chains
Bending radius, moving cable	≥75 mm
Test conditions cable	Test conditions on request
Cable structure	2 x 0.25 mm ² + 2 x 0.34 mm ² + 0.49 mm ²
Nominal cross section conductor	0.25 mm ² ; 0.34 mm ² ; 0.49 mm ²

Materials

Material housing	TPE-U(PUR)
Housing colour	Black
Material screw-type lock	Nickel-plated brass
Material electrical contact	Gold-plated bronze; Gold-plated brass
Material cable sheath	TPE-U(PUR)
Cable sheath colour	Light grey
Material insulating sheath	TPE-U(PUR)
Note on materials	RoHS-compliant
LABS (PWIS) conformity	VDMA24364-B2-L

Operating and environmental conditions

Ambient temperature	-20 ... 70°C
Ambient temperature with moving cable	-5 ... 70°C
Corrosion resistance class CRC ¹⁾	1 - Low corrosion stress
CE mark (see declaration of conformity) ²⁾	In accordance with EU RoHS Directive
CE marking (see declaration of conformity)	To UK RoHS instructions
Degree of protection	IP65; IP67
Note on degree of protection	In assembled state

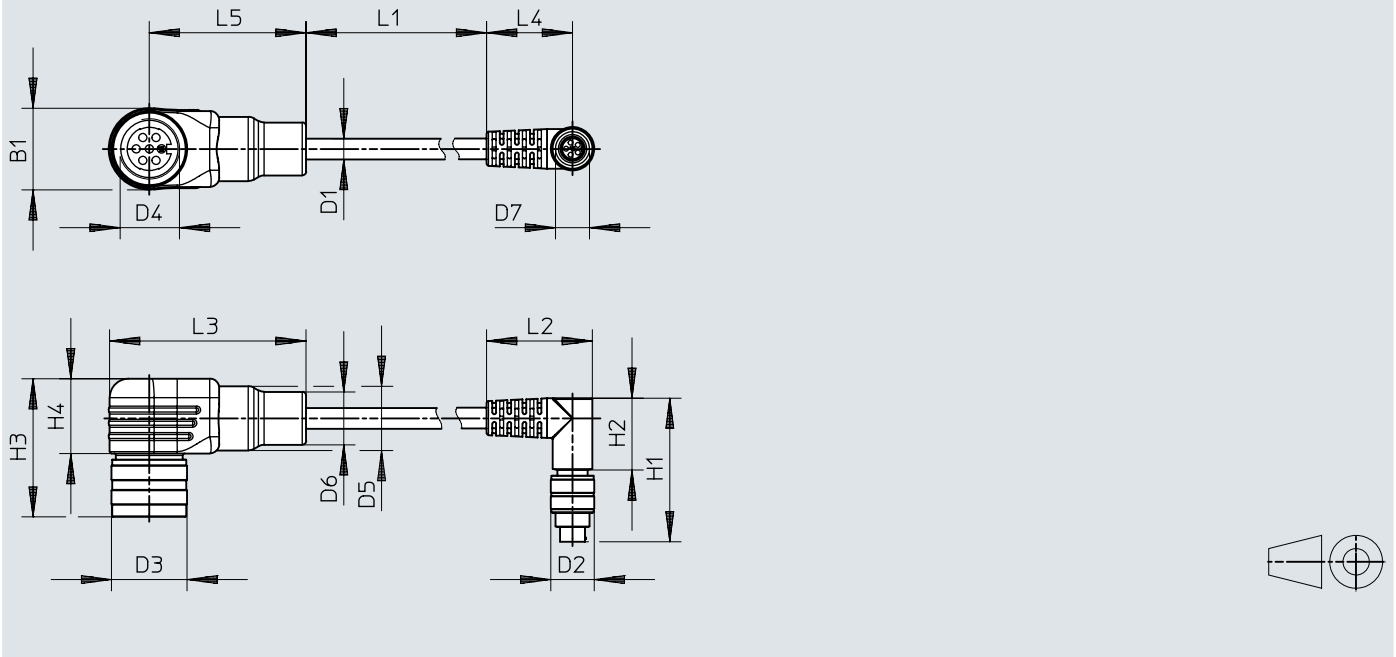
1) More information: www.festo.com/x/topic/kbk

2) More information www.festo.com/catalogue/.../Support/Downloads.

Dimensions

Dimensions – Connecting cable NEBP-M16W6

Download CAD data → www.festo.com



	B1	D1 ∅	D2 ∅	D3 ∅	D4	D5 ∅	D6 ∅	H1
NEBP-M16W6-K-2-M9W5	21,6	5,5	11,5	20	M16x 0,75	17	14	38
	H2	H3	H4	L1	L2	L3	L4	L5
NEBP-M16W6-K-2-M9W5	19	36,6	19,8	2000	28	52	22,8	41,5

Ordering data

Ordering data							
Electrical connection 1, connection type	Electrical connection 1, connector system	Electrical connection 2, connection type	Electrical connection 2, connector system	Cable length	Product weight	Part no.	Type
Socket	M16x0.75	Plugs	M9x0.5	2 m	160 g	575898	NEBP-M16W6-K-2-M9W5