






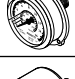

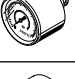





Pressure gauge

FESTO

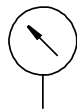


Product range overview

Type	Pneumatic connection	Nominal size	Display unit						Red/green range	→ Page/ Internet	
			Outer scale			Inner scale					
			bar	MPa	psi	bar	MPa	psi			
Pressure gauge MA-...-EN		R1/8, R1/4, G1/4	40	■	-	-	-	-	■	-	3
		G1/4	50, 63								
Pressure gauge with red/green range MA-...-RG		R1/8	40	■	-	-	-	-	-	■	6
			50	-	■	-	-	-	-		
		R1/4	50	■	-	-	-	-	-		
			63	-	■	-	-	-	-		
Pressure gauge MA		M5	15	■	-	-	-	-	-	-	8
			27	-	■	-	-	-	-		
		R1/8	23, 27	■	-	-	-	-	■		
			40	■	-	-	-	-	■		
		G1/4	50	■	-	-	-	-	■		
			63	■	-	-	-	-	■		
			63	■	-	-	-	-	■		
Precision pressure gauge MAP		R1/8	40	■	-	-	-	-	■	-	13
Pressure gauge MA-...-QS		QS-4, QS-6, QS-8	15	■	-	-	-	-	-	-	15
Flanged pressure gauge FMA-...-EN		G1/4	40, 50, 63	■	-	-	-	-	■	-	16
Flanged pressure gauge FMA		G1/4	63	■	-	-	-	-	■	-	18
Flanged precision pressure gauge FMAP		G1/4	63	■	-	-	-	-	■	-	19
Pressure gauge PAGN-...-P10		Cartridge 10 mm	26, 40	■	-	-	-	-	■	-	21
			40	-	-	■	■	-	-		
			63	-	■	-	-	-	-		
Pressure gauge PAGN		G1/8	26	■	-	-	-	-	■	-	23
		40	-	■	-	-	-	-			
		R1/8, G1/8	40	-	■	-	■	-	-	-	24
Precision pressure gauge PAGN		R1/8	40	■	-	-	-	-	■	-	26
			63	-	■	-	■	-	-		
Flanged pressure gauge PAGN-P		G1/4	40, 50, 63	-	■	-	■	-	-	-	28

Datasheet

Function



— ● — Temperature range
–20 ... +60°C



Technical data					
Nominal size	40			50	63
Pneumatic connection	R1/8	R1/4	G1/4	G1/4	G1/4
Operating medium	Inert gases Neutral fluids				
Note on the operating/ pilot medium	No oxygen No acetylene				
Design	Bourdon tube pressure gauge				
Conforms to standard	EN 837-1				
Type of mounting	In-line installation				
Connection position	Centred, rear				
Ambient temperature [°C]	–20 ... +60				
Temperature of medium [°C]	–20 ... +60 ¹⁾				
Measurement accuracy class	2.5				
Continuous load factor	0.75				
Intermittent load factor	0.66				
Degree of protection	IP43				
For service unit components of series MS	MS4	MS4/MS6/MS9/MS12		–	–
Weight [g]	60	70	70	70	80

1) If the temperature of the medium used is below 0°C, ensure the operating medium is dry.

Materials					
Nominal size	40			50	63
Pneumatic connection	R1/8	R1/4	G1/4	G1/4	G1/4
Housing	MA-40-10-1/8-EN only	PBT (colour: black)		–	
	Not MA-40-10-1/8-EN	ABS (colour: black)			
Inspection window	PS				
Screwed trunnion/ materials in contact with the media	Brass				
Note on materials	RoHS-compliant				
LABS (PWIS) conformity	VDMA24364-B1/B2-L				

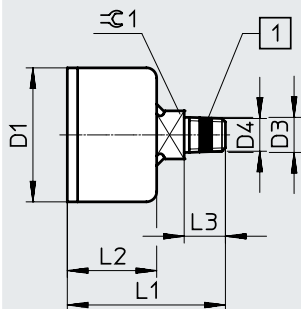
Display range					
Nominal size	40			50	63
Pneumatic connection	R1/8	R1/4	G1/4	G1/4	G1/4
[bar]	[psi]				
0 ... 1	0 ... 14.5	–	–	–	■
0 ... 2.5	0 ... 36	–	–	■	–
0 ... 6	0 ... 87	–	■	■	–
0 ... 10	0 ... 145	■	■	■	–
0 ... 16	0 ... 232	–	■	■	–
0 ... 25	0 ... 360	■	–	■	–

Datasheet

Dimensions

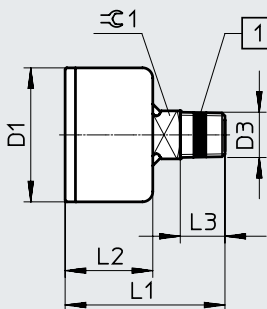
Download CAD data → www.festo.com

MA-40, R1/8



[1] PTFE sealing band for MA-40-16-1/8-EN-DPA and MA-40-25-1/8-EN

MA-40, R1/4



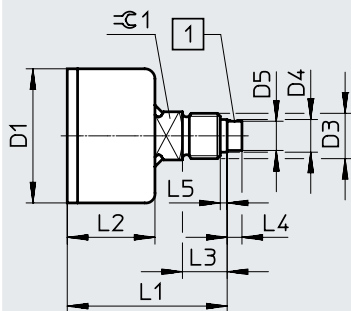
[1] PTFE sealing band

Type	D1 ∅ -0.2	D3	D4 ∅	L1 ±1	L2 ±0.5	L3	⊘ 1
MA-40-...-1/8-EN	39	R1/8	10.2	46	26	12 +0.3	14
MA-40-...-R1/4-EN		R1/4	-	46.5	25.5	13	

Dimensions

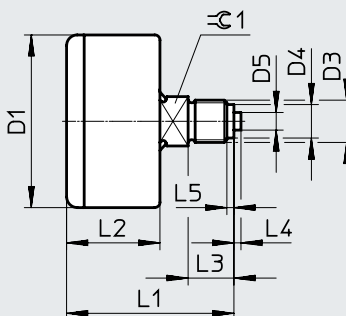
Download CAD data → www.festo.com

MA-40, G1/4



[1] With pre-fitted PTFE sealing ring

MA-50/63, G1/4



Type	D1 ∅	D3	D4 ∅	D5 ∅	L1	L2 ±0.5	L3 +0.3	L4	L5	⊘ 1
MA-40-...-G1/4-EN	39 -0.2	G1/4	9.5	8.5	46.5 ±1	25.5	13	4.3 ±0.1	2	14
MA-50-...-1/4-EN	49 ±0.5		9.5 -0.2	5	47.5 ±1	26.5		2		
MA-63-...-1/4-EN	61.5 ±0.5		9.5	5	47 ±0.5	26.5		2		

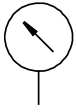
Datasheet


Ordering data								
Nominal size	Pneumatic connection	Operating pressure			Display range		Part no.	Type
		[MPa]	[bar]	[psi]	Outer scale	Inner scale		
Display unit [bar]/[psi]								
40	R1/8	0 ... 1	0 ... 10	0 ... 145	0 ... 10 bar	0 ... 145 psi	162835	MA-40-10-1/8-EN
		0 ... 2.5	0 ... 25	0 ... 362.5	0 ... 25 bar	0 ... 362.5 psi	526167	MA-40-25-1/8-EN
	R1/4	0 ... 0.6	0 ... 6	0 ... 87	0 ... 6 bar	1 ... 87 psi	187078	MA-40-6-R1/4-EN
		0 ... 1	0 ... 10	0 ... 145	0 ... 10 bar	0 ... 145 psi	187079	MA-40-10-R1/4-EN
		0 ... 1.6	0 ... 16	0 ... 232	0 ... 16 bar	0 ... 232 psi	187080	MA-40-16-R1/4-EN
	G1/4	0 ... 0.6	0 ... 6	0 ... 87	0 ... 6 bar	1 ... 87 psi	183899	MA-40-6-G1/4-EN
		0 ... 1	0 ... 10	0 ... 145	0 ... 10 bar	0 ... 145 psi	183900	MA-40-10-G1/4-EN
		0 ... 1.6	0 ... 16	0 ... 232	0 ... 16 bar	0 ... 232 psi	183901	MA-40-16-G1/4-EN
		0 ... 2.5	0 ... 25	0 ... 362.5	0 ... 25 bar	0 ... 362.5 psi	183902	MA-40-25-G1/4-EN
50	G1/4	0 ... 0.25	0 ... 2.5	0 ... 36.25	0 ... 2.5 bar	0 ... 36.25 psi	162837	MA-50-2.5-1/4-EN
		0 ... 1	0 ... 10	0 ... 145	0 ... 10 bar	0 ... 145 psi	162838	MA-50-10-1/4-EN
		0 ... 1.6	0 ... 16	0 ... 232	0 ... 16 bar	0 ... 232 psi	162839	MA-50-16-1/4-EN
63	G1/4	0 ... 0.1	0 ... 1	0 ... 14.5	0 ... 1 bar	0 ... 14.5 psi	162844	MA-63-1-1/4-EN

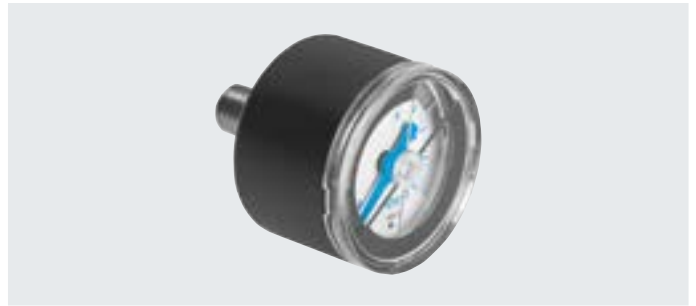
Pressure gauge MA-RG, with red/green range

Datasheet

Function



-  - Temperature range
-20 ... +60°C



The adjustable red/green range provides additional safety when monitoring compressed air.

The coloured red and green segments show when the pressure is

in the required pressure range. The different colours make it possible to see at a

glance whether the pressure is in the permitted tolerance range.

Technical data		
Nominal size	40	50
Pneumatic connection	R1/8	R1/4
Operating medium	Inert gases Neutral fluids	
Note on the operating/ pilot medium	No oxygen No acetylene	
Design	Bourdon tube pressure gauge	
Conforms to standard	EN 837-1	
Type of mounting	In-line installation	
Connection position	Centred, rear	
Ambient temperature [°C]	-20 ... +60	
Temperature of medium [°C]	-20 ... +60 ¹⁾	
Measurement accuracy class	2.5	
Continuous load factor	0.75	
Intermittent load factor	0.66	
Degree of protection	IP43	
For service unit components of series MS	MS4	MS4/MS6/MS9/MS12
Weight [g]	60	75

1) If the temperature of the medium used is below 0°C, ensure the operating medium is dry.

Materials

Housing	ABS (colour: black)
Inspection window	PMMA
Screwed trunnion/ materials in contact with the media	Brass
Note on materials	RoHS-compliant
LABS (PWIS) conformity	VDMA24364-B1/B2-L

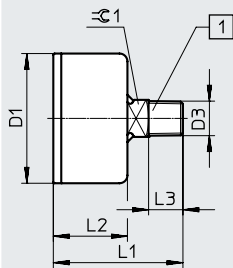
Datasheet

Display range		
Nominal size	40	50
Pneumatic connection	R1/8	R1/4
[bar]		
0 ... 2.5	■	■
0 ... 10	■	■
0 ... 16	■	■
[MPa]		
0 ... 0.25	–	■
0 ... 1	■	■
0 ... 1.6	■	■
[psi]		
0 ... 36	–	■
0 ... 145	■	■
0 ... 232	■	■

Dimensions

 Download CAD data → www.festo.com

MA-...-E-RG



[1] Coated with thread sealant

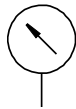
Type	D1 ∅ ±0.5	D3	L1 ±1	L2 ±0.5	L3
MA-40-...-E-RG	39	R1/8	46	28	10
MA-50-...-E-RG	49	R1/4	49	28	13


Ordering data

Nominal size	Pneumatic connection	Operating pressure			Display range		Part no.	Type
		[MPa]	[bar]	[psi]	Outer scale	Inner scale		
Display unit [bar]								
40	R1/8	0 ... 0.25	0 ... 2.5	0 ... 36.25	0 ... 2.5 bar	–	546963	MA-40-2.5-R1/8-E-RG
		0 ... 1	0 ... 10	0 ... 145	0 ... 10 bar	–	525725	MA-40-10-R1/8-E-RG
		0 ... 1.6	0 ... 16	0 ... 232	0 ... 16 bar	–	525726	MA-40-16-R1/8-E-RG
50	R1/4	0 ... 0.25	0 ... 2.5	0 ... 36.25	0 ... 2.5 bar	–	525727	MA-50-2.5-R1/4-E-RG
		0 ... 1	0 ... 10	0 ... 145	0 ... 10 bar	–	525728	MA-50-10-R1/4-E-RG
		0 ... 1.6	0 ... 16	0 ... 232	0 ... 16 bar	–	525729	MA-50-16-R1/4-E-RG
Display unit [MPa]								
40	R1/8	0 ... 1	0 ... 10	0 ... 145	0 ... 1 MPa	–	526778	MA-40-1.0-R1/8-MPA-E-RG
		0 ... 1.6	0 ... 16	0 ... 232	0 ... 1.6 MPa	–	526779	MA-40-1.6-R1/8-MPA-E-RG
50	R1/4	0 ... 0.25	0 ... 2.5	0 ... 36.25	0 ... 0.25 MPa	–	526780	MA-50-0.25-R1/4-MPA-E-RG
		0 ... 1	0 ... 10	0 ... 145	0 ... 1 MPa	–	526781	MA-50-1.0-R1/4-MPA-E-RG
		0 ... 1.6	0 ... 16	0 ... 232	0 ... 1.6 MPa	–	526782	MA-50-1.6-R1/4-MPA-E-RG
Display unit [psi]								
40	R1/8	0 ... 1	0 ... 10	0 ... 145	0 ... 145 psi	–	526786	MA-40-145-R1/8-PSI-E-RG
		0 ... 1.6	0 ... 16	0 ... 232	0 ... 232 psi	–	526787	MA-40-232-R1/8-PSI-E-RG
50	R1/4	–	–	0 ... 36	0 ... 36 psi	–	526788	MA-50-36-R1/4-PSI-E-RG
		0 ... 1	0 ... 10	0 ... 145	0 ... 145 psi	–	526789	MA-50-145-R1/4-PSI-E-RG
		0 ... 1.6	0 ... 16	0 ... 232	0 ... 232 psi	–	526790	MA-50-232-R1/4-PSI-E-RG

Datasheet

Function



-  - Temperature range
-20 ... +60°C



Technical data							
Nominal size	15	23	27		40	50	63
Pneumatic connection	M5	R1/8	M5	R1/8	G1/8	G1/4	G1/4
Operating medium	Inert gases						Gaseous media
	Neutral fluids						Liquid media
Note on the operating/ pilot medium	No oxygen						
	No acetylene						
Design	Bourdon tube pressure gauge without measur- ing device	Bourdon tube pressure gauge					Capsule pressure gauge
Conforms to standard	-			-		EN 837-1	EN 837-3
Type of mounting	In-line installation						
Connection position	Centred, rear						
Ambient temperature [°C]	-20 ... +60		0 ... +60		-20 ... +60		-20 ... +60
Temperature of medium [°C]	-20 ... +60 ¹⁾		0 ... +60		-20 ... +60 ¹⁾		-20 ... +80 ¹⁾
Measurement accuracy class	5	4	4 / 5 ²⁾	4	2.5		1.6
Continuous load factor	0.75						
Intermittent load factor	0.66	0.6	0.66				0.9
Degree of protection	IP53		IP44		IP43		IP43
For service unit components of series D	-		MICRO		-	MINI	MIDI/MAXI
Weight [g]	10	27	11	8	60	70	180

1) If the temperature of the medium used is below 0 °C, ensure the operating medium is dry.
2) With display unit [MPa].

Materials							
Nominal size	15	23	27		40	50	63
Pneumatic connection	M5	R1/8	M5	R1/8	G1/8	G1/4	G1/4
Housing	Steel (colour: black)	Brass (colour: black)	PA (colour: black)		ABS (colour: black)		Steel
Inspection window	PC		PS		PS		PMMA
Screwed trunnion/ materials in contact with the media	Brass		Brass	Reinforced PA	Brass		Brass
Note on materials	RoHS-compliant						
LABS (PWIS) conformity	VDMA24364-B1/B2-L				VDMA24364-B2-L		VD- MA24364-B1/ B2-L

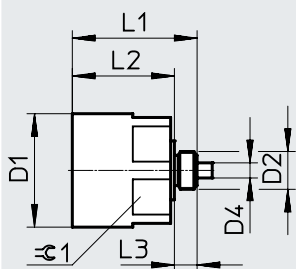
Datasheet

Display range		15	23	27	40	50	63
Nominal size		M5	R1/8	M5	R1/8	G1/8	G1/4
Pneumatic connection		M5	R1/8	M5	R1/8	G1/8	G1/4
[bar]	[psi]						
0 ... 0.25	0 ... 3.6	-	-	-	-	-	■
0 ... 6	0 ... 87	-	■	-	-	-	-
0 ... 10	0 ... 145	-	■	-	-	■	-
0 ... 16	0 ... 232	-	■	-	■	■	-
0 ... 25	0 ... 360	-	-	-	■	-	-
[bar]							
0 ... 10		■	-	■	-	-	-
[MPa]							
0 ... 0.6		-	-	-	-	-	-
0 ... 1		-	-	■	-	■	-
0 ... 1.6		-	-	-	-	■	-
0 ... 2.5		-	-	-	-	-	-
[psi]							
0 ... 145		■	-	-	-	-	-
0 ... 160		-	-	■	-	-	-

Dimensions

Download CAD data → www.festo.com

MA-15



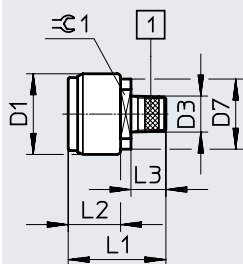
Type	D1	D2	D4	L1	L2	L3	≅
	∅		∅				
MA-15-...-M5	15	M5		16.5	13.5	3	14

Datasheet

Dimensions

Download CAD data → www.festo.com

MA-23



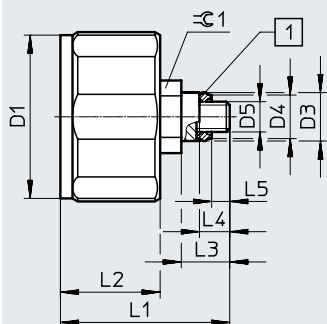
[1] PTFE band

Type	D1 ∅	D3	D7 ∅	L1	L2	L3	☉ 1
MA-23-...-R1/8	23 -0.4	R1/8	20 -0.4	±0.35	±0.25	10	14

Dimensions

Download CAD data → www.festo.com

MA-27, M5



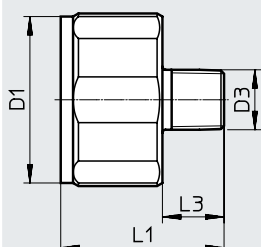
[1] With pre-fitted polyamide sealing ring

Type	D1 ∅	D3 ∅	D4 ∅	D5	L1	L2	L3	L4	L5	☉ 1
MA-27-...-M5	27	8	7.4	M5	28	±0.5 16.5	8	5	3	10

Dimensions

Download CAD data → www.festo.com

MA-27, R1/8



Type	D1 ∅	D3	L1	L3
MA-27-...-R1/8	27	R1/8	26.5	±0.15 10

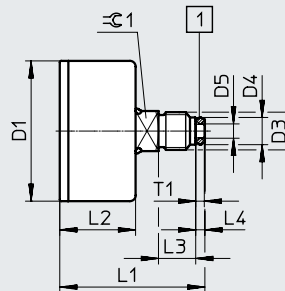
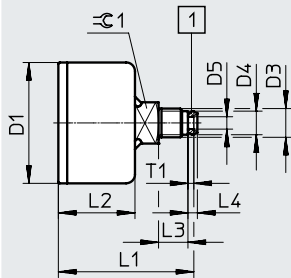
Datasheet

Dimensions

Download CAD data → www.festo.com

MA-40, G1/8

MA-50, G1/4



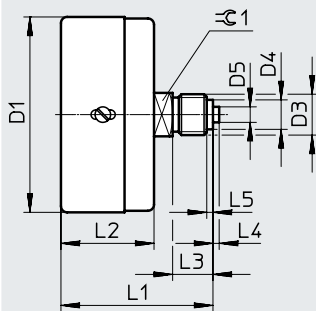
[1] With pre-fitted aluminium sealing ring

[1] With pre-fitted aluminium sealing ring

Type	D1 ∅	D3	D4 ∅	D5 ∅	L1	L2	L3	L4	T1	≡C 1
					±1	±0.5	+0.3			
MA-40-...1/8	39-0.2	G1/8	8	4.2	46	26	10	3.2	2	14
MA-40-...1/4	49	G1/4	9.5	5	50.5	26.5	13		3	

Dimensions

Download CAD data → www.festo.com



Type	D1 ∅	D3	D4 ∅	D5 ∅	L1	L2	L3	L4	L5	≡C 1
	±1				±1		+0.3			
MA-63	63	G1/4	9.5	5	49	30	13	2	2	14

Ordering data

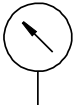
Nominal size	Pneumatic connection	Operating pressure			Display range		Part no.	Type
		[MPa]	[bar]	[psi]	Outer scale	Inner scale		
Display unit [bar]/[psi]								
23	R1/8	0 ... 0.6	0 ... 6	0 ... 87	0 ... 6 bar	1 ... 87 psi	183896	MA-23-6-R1/8
		0 ... 1	0 ... 10	0 ... 145	0 ... 10 bar	0 ... 145 psi	183897	MA-23-10-R1/8
		0 ... 1.6	0 ... 16	0 ... 232	0 ... 16 bar	0 ... 232 psi	183898	MA-23-16-R1/8
27	R1/8	0 ... 1.6	0 ... 16	0 ... 232	0 ... 16 bar	0 ... 232 psi	541733	MA-27-16-R1/8
		0 ... 2.5	0 ... 25	0 ... 362.5	0 ... 25 bar	0 ... 362.5 psi	541734	MA-27-25-R1/8
40	G1/8	0 ... 1	0 ... 10	0 ... 145	0 ... 10 bar	0 ... 145 psi	359874	MA-40-10-1/8
		0 ... 1.6	0 ... 16	0 ... 232	0 ... 16 bar	0 ... 232 psi	345395	MA-40-16-1/8
50	G1/4	0 ... 1	0 ... 10	0 ... 145	0 ... 10 bar	0 ... 145 psi	359873	MA-50-10-1/4
		0 ... 1.6	0 ... 16	0 ... 232	0 ... 16 bar	0 ... 232 psi	356759	MA-50-16-1/4
63	G1/4	-	0 ... 0.25	-	0 ... 0.25 bar	0 ... 3.6 psi	7169	MA-63-0.25


Datasheet

Ordering data								
Nominal size	Pneumatic connection	Operating pressure			Display range		Part no.	Type
		[MPa]	[bar]	[psi]	Outer scale	Inner scale		
Display unit [bar]								
15	–	0 ... 1	0 ... 10	0 ... 145	0 ... 10 bar	–	132340	MA-15-10-M5
Display unit [MPa]								
27	M5	0 ... 1	0 ... 10	0 ... 145	0 ... 1 MPa	–	526324	MA-27-1.0-M5-MPA
40	G1/8	0 ... 1	0 ... 10	0 ... 145	0 ... 1 MPa	–	192732	MA-40-1-G1/8-MPA
		0 ... 1.6	0 ... 16	0 ... 232	0 ... 1.6 MPa	–	192733	MA-40-1.6-G1/8-MPA
50	G1/4	0 ... 1	0 ... 10	0 ... 145	0 ... 1 MPa	–	192734	MA-50-1-G1/4-MPA
		0 ... 1.6	0 ... 16	0 ... 232	0 ... 1.6 MPa	–	192735	MA-50-1.6-G1/4-MPA
Display unit [psi]								
15	M5	0 ... 1	0 ... 10	0 ... 145	0 ... 145 psi	–	132341	MA-15-145-M5-PSI
27	M5	–	–	0 ... 160	0 ... 160 psi	–	527405	MA-27-160-M5-PSI

Datasheet

Function



-  - Temperature range
-20 ... +60°C



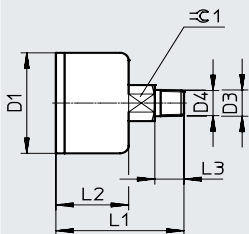
Technical data	
Nominal size	40
Pneumatic connection	R1/8
Operating medium	Inert gases Neutral fluids
Note on the operating/ pilot medium	No oxygen No acetylene
Design	Bourdon tube pressure gauge
Conforms to standard	EN 837-1
Type of mounting	In-line installation
Connection position	Centred, rear
Ambient temperature [°C]	-20 ... +60
Temperature of medium [°C]	-20 ... +60 ¹⁾
Measurement accuracy class	1.6
Continuous load factor	0.75
Intermittent load factor	0.66
Degree of protection	IP43
Weight [g]	60

1) If the temperature of the medium used is below 0°C, ensure the operating medium is dry.

Materials	
Housing	PBT (colour: black)
Inspection window	PS
Screwed trunnion/ materials in contact with the media	Brass
Note on materials	RoHS-compliant
LABS (PWIS) conformity	VDMA24364-B1/B2-L

Dimensions

Download CAD data → www.festo.com



Type	D1 ∅ +0.1/-0.2	D3	D4 ∅	L1	L2 +0.5	L3	⊖ 1
MAP-40-...-EN	39	R1/8	10.2	44	25	10	14

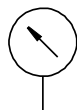
Datasheet


Ordering data									
Nominal size	Pneumatic connection	Operating pressure			Display range		Certification	Part no.	Type
		[MPa]	[bar]	[psi]	Outer scale	Inner scale			
Display unit [bar]/[psi]									
40	R1/8	0 ... 0.1	0 ... 1	0 ... 14.5	0 ... 1 bar	0 ... 14.5 psi	–	161126	MAP-40-1-1/8-EN
							CPA ¹⁾	8178621	PAGN-40-0.1M-R18-1.6-CPA
		0 ... 0.4	0 ... 4	0 ... 58	0 ... 4 bar	1 ... 58 psi	–	162842	MAP-40-4-1/8-EN
		0 ... 0.6	0 ... 6	0 ... 87	0 ... 6 bar	1 ... 87 psi	–	161127	MAP-40-6-1/8-EN
		0 ... 1.6	0 ... 16	0 ... 232	0 ... 16 bar	0 ... 232 psi	–	161128	MAP-40-16-1/8-EN

1) Certification for measuring devices in China

Datasheet

Function



-  - Temperature range
-20 ... +60°C

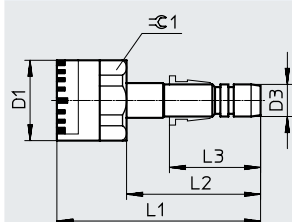


Technical data			
Nominal size	15		
Pneumatic connection	QS-4	QS-6	QS-8
Operating medium	Inert gases Neutral fluids		
Note on the operating/ pilot medium	No oxygen No acetylene		
Design	Bourdon tube pressure gauge without measuring device		
Type of mounting	In-line installation		
Connection position	Centred, rear		
Ambient temperature [°C]	-20 ... +60		
Temperature of medium [°C]	-20 ... +60		
Measurement accuracy class	5		
Continuous load factor	0.75		
Intermittent load factor	0.66		
Degree of protection	IP53		
Weight [g]	10		

Materials	
Housing	Steel (colour: black)
Inspection window	PC
Screwed trunnion/ materials in contact with the media	Brass
Note on materials	RoHS-compliant
LABS (PWIS) conformity	VDMA24364-B2-L

Dimensions

Download CAD data → www.festo.com

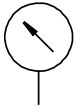


Type	D1 ø	D3	L1	L2	L3	±0.1
MA-15-10-QS-4	15	QS-4	36	23	15	14
MA-15-10-QS-6	15	QS-6	38	25	17	14
MA-15-10-QS-8	15	QS-8	34	21	18.5	14

Dimensions and ordering data										
Nominal size	Pneumatic connection D	L	L1	L2	Operating pressure			Display range [bar]	Part no.	Type
					[MPa]	[bar]	[psi]			
15	QS-4	36	23	15	0 ... 1	0 ... 10	0 ... 145	0 ... 10	153383	MA-15-10-QS-4
	QS-6	38	25	17	0 ... 1	0 ... 10	0 ... 145	0 ... 10	153384	MA-15-10-QS-6
	QS-8	34	21	18.5	0 ... 1	0 ... 10	0 ... 145	0 ... 10	153385	MA-15-10-QS-8

Datasheet

Function



Temperature range
-20 ... +60°C



Technical data			
Nominal size	40	50	63
Pneumatic connection	G1/4	G1/4	G1/4
Operating medium	Inert gases Neutral fluids		
Note on the operating/ pilot medium	No oxygen No acetylene		
Design	Bourdon tube pressure gauge		
Conforms to standard	EN 837-1		
Type of mounting	Front panel mounting		
Connection position	Centred, rear		
Ambient temperature [°C]	-20 ... +60		
Temperature of medium [°C]	-20 ... +60 ¹⁾		
Measurement accuracy class	2.5		
Continuous load factor	0.75		
Intermittent load factor	0.66		
Degree of protection	IP43		
Weight [g]	80	100	120

1) If the temperature of the medium used is below 0°C, ensure the operating medium is dry.

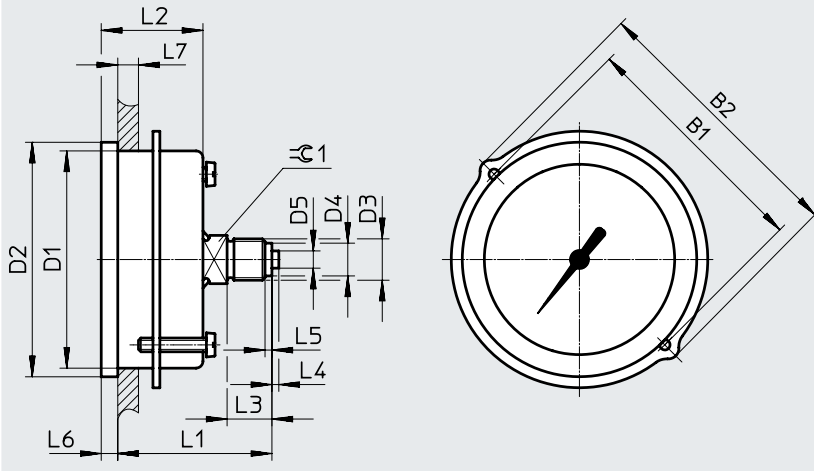
Materials	
Housing	ABS (colour: black)
Inspection window	SAN
Mounting ring	Steel
Screwed trunnion/ materials in contact with the media	Brass
Note on materials	RoHS-compliant
LABS (PWIS) conformity	VDMA24364-B1/B2-L

Display range			
Nominal size	40	50	63
Pneumatic connection	G1/4	G1/4	G1/4
[bar]	[psi]		
0 ... 2.5	0 ... 36	—	■
0 ... 10	0 ... 145	■	■
0 ... 16	0 ... 232	■	■

Datasheet

Dimensions

Download CAD data → www.festo.com



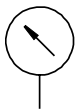
Type	B1	B2	D1 ∅	D2 ∅	D3	D4 ∅	D5 ∅	L1	L2	L3	L4	L5	L6	L7 max.	⊕ 1
FMA-40-...-EN	48	56	40-0.2	45-0.3	G1/4	9.5	5	43	26.5 ±0.5	13	2	2	4.5	15	14
FMA-50-...-EN	57 +0.3	66	49.5 +0.2	54-0.4				43.3	26.8 +0.3				4.5		
FMA-63-...-EN	70 +0.3	79	63 +0.2	68-0.2				42.5	29.5 +0.3				4.8		

Ordering data

Nominal size	Pneumatic connection	Operating pressure			Display range		Part no.	Type
		[MPa]	[bar]	[psi]	Outer scale	Inner scale		
Display unit [bar]/[psi]								
40	G1/4	0 ... 1	0 ... 10	0 ... 145	0 ... 10 bar	0 ... 145 psi	159596	FMA-40-10-1/4-EN
		0 ... 1.6	0 ... 16	0 ... 232	0 ... 16 bar	0 ... 232 psi	159597	FMA-40-16-1/4-EN
50	G1/4	0 ... 0.25	0 ... 2.5	0 ... 36.25	0 ... 2.5 bar	0 ... 36.25 psi	159598	FMA-50-2.5-1/4-EN
		0 ... 1	0 ... 10	0 ... 145	0 ... 10 bar	0 ... 145 psi	159599	FMA-50-10-1/4-EN
		0 ... 1.6	0 ... 16	0 ... 232	0 ... 16 bar	0 ... 232 psi	159600	FMA-50-16-1/4-EN
63	G1/4	0 ... 0.25	0 ... 2.5	0 ... 36.25	0 ... 2.5 bar	0 ... 36.25 psi	159601	FMA-63-2.5-1/4-EN
		0 ... 1	0 ... 10	0 ... 145	0 ... 10 bar	0 ... 145 psi	159602	FMA-63-10-1/4-EN
		0 ... 1.6	0 ... 16	0 ... 232	0 ... 16 bar	0 ... 232 psi	159603	FMA-63-16-1/4-EN

Datasheet

Function



-  - Temperature range
-20 ... +60°C

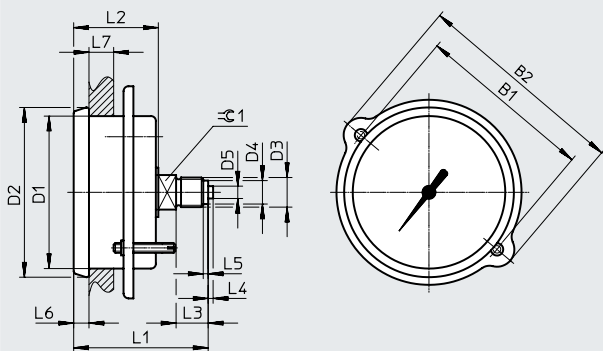


Technical data	
Nominal size	63
Pneumatic connection	G1/4
Operating medium	Gaseous media Liquid media
Note on the operating/ pilot medium	No oxygen No acetylene
Design	Capsule pressure gauge
Conforms to standard	EN 837-3
Type of mounting	Front panel mounting
Connection position	Centred, rear
Ambient temperature [°C]	-20 ... +60
Temperature of medium [°C]	-20 ... +80
Measurement accuracy class	1.6
Continuous load factor	0.75
Intermittent load factor	0.9
Degree of protection	IP43
Weight [g]	120

Materials	
Housing	Steel
Inspection window	PMMA
Mounting ring/screws	Steel
Screwed trunnion	Brass
LABS (PWIS) conformity	VDMA24364-B1/B2-L

Dimensions

Download CAD data → www.festo.com

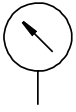



Type	B1	B2	D1 ∅	D2 ∅	D3	D4 ∅	D5 ∅	L1	L2	L3	L4	L5	L6	L7 max.	≈ 1
FMA-63-0.25-C	72	86	61.8 ±0.5	68.8 ±0.5	G1/4	9.5	5	54.5 ±1	34.3 ±0.5	13 +0.3	2	2	6.2 ±0.5	10	14

Ordering data								
Nominal size	Pneumatic connection	Operating pressure			Display range		Part no.	Type
		[MPa]	[bar]	[psi]	Outer scale	Inner scale		
Display unit [bar]/[psi]								
63	G1/4	-	0 ... 0.25	-	0 ... 0.25 bar	0 ... 3.6 psi	225783	FMA-63-0.25-C

Datasheet

Function



-  - Temperature range
-20 ... +60°C



Technical data	
Nominal size	63
Pneumatic connection	G1/4
Operating medium	Inert gases Neutral fluids
Note on the operating/ pilot medium	No oxygen No acetylene
Design	Bourdon tube pressure gauge
Conforms to standard	EN 837-1
Type of mounting	Front panel mounting
Connection position	Centred, rear
Ambient temperature [°C]	-20 ... +60
Temperature of medium [°C]	-20 ... +60 ¹⁾
Measurement accuracy class	1.0
Continuous load factor	0.75
Intermittent load factor	0.66
Degree of protection	IP43
Weight [g]	120

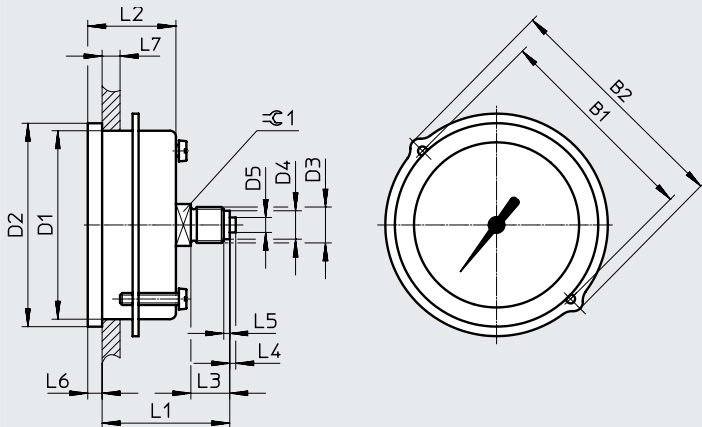
1) If the temperature of the medium used is below 0°C, ensure the operating medium is dry.

Materials	
Housing	ABS (colour: black)
Inspection window	SAN
Mounting ring	Steel
Screwed trunnion/ materials in contact with the media	Brass
Note on materials	RoHS-compliant
LABS (PWIS) conformity	VDMA24364-B1/B2-L

Datasheet

Dimensions

Download CAD data → www.festo.com



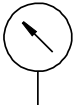
Type	B1	B2	D1 ∅	D2 ∅	D3	D4 ∅	D5 ∅	L1	L2	L3	L4	L5	L6	L7 max.	≡ 1
	+0.3		+0.2	-0.2				±1	+0.3	+0.3					
FMAP-63-...-EN	70	79	63	68	G1/4	9.5	5	42.5	29.5	13	2	2	4.8	15	14


Ordering data

Nominal size	Pneumatic connection	Operating pressure			Display range		Part no.	Type
		[MPa]	[bar]	[psi]	Outer scale	Inner scale		
Display unit [bar]/[psi]								
63	G1/4	0 ... 0.1	0 ... 1	0 ... 14.5	0 ... 1 bar	0 ... 14.5 psi	161129	FMAP-63-1-1/4-EN
		0 ... 0.4	0 ... 4	0 ... 58	0 ... 4 bar	1 ... 58 psi	162843	FMAP-63-4-1/4-EN
		0 ... 0.6	0 ... 6	0 ... 87	0 ... 6 bar	1 ... 87 psi	161130	FMAP-63-6-1/4-EN
		0 ... 1.6	0 ... 16	0 ... 232	0 ... 16 bar	0 ... 232 psi	161131	FMAP-63-16-1/4-EN

Datasheet

Function



-  - Temperature range
-20 ... +60°C



Technical data		
Nominal size	26	40
Pneumatic connection	Cartridge 10 mm	Cartridge 10 mm
Operating medium	Inert gases Neutral fluids	
Note on the operating/ pilot medium	No oxygen No acetylene	
Design	Bourdon tube pressure gauge	
Conforms to standard	-	EN 837-1
Type of mounting	In-line installation	
Connection position	Centred, rear	
Ambient temperature [°C]	-20 ... +60	
Temperature of medium [°C]	-20 ... +60 ¹⁾	
Measurement accuracy class	4 / 5 ²⁾	2.5
Continuous load factor	0.75	
Intermittent load factor	0.66	
Degree of protection	IP43 NEMA 4 (only with outer scale in bar)	
Weight [g]	15	50

- 1) If the temperature of the medium used is below 0 °C, ensure the operating medium is dry.
2) With display unit [MPa].

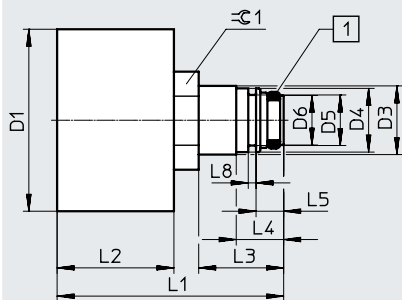
Materials		
Nominal size	26	40
Housing	PA (colour: black)	ABS (colour: black)
Inspection window	PS	
Screwed trunnion/ materials in contact with the media	Brass	
Note on materials	RoHS-compliant	
LABS (PWIS) conformity	VDMA24364-B1/B2-L	

Datasheet

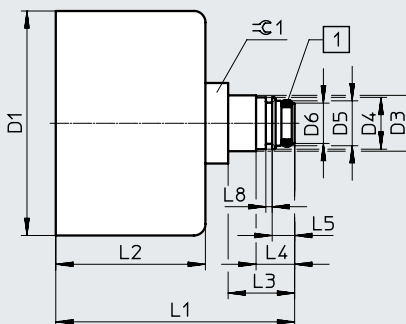
Dimensions

Download CAD data → www.festo.com

PAGN-26-...-P10



PAGN-40-...-P10



[1] Sealing ring

Type	D1 ∅	D3 ∅ ±0.1	D4 ∅ ±0.05	D5 ∅ ±0.05	D6 ∅ ±0.1	L1	L2 ±0.5	L3	L4	L5	L8	⊕1
PAGN-26-...-P10	25.7	9.7	9	7.8	7	32	16.5	12	6.7	3.9	1.1	12
PAGN-40-...-P10	39					41.5	26	11.6				14

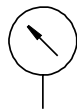
Ordering data


Nominal size	Pneumatic connection	Operating pressure			Display range		Certification	Part no.	Type
		[MPa]	[bar]	[psi]	Outer scale	Inner scale			
Display unit [bar]/[psi]									
26	Cartridge 10 mm	0 ... 1	0 ... 10	0 ... 145	0 ... 10 bar	0 ... 145 psi	–	543488	PAGN-26-10-P10
		0 ... 1.6	0 ... 16	0 ... 232	0 ... 16 bar	0 ... 232 psi	–	543487	PAGN-26-16-P10
40	Cartridge 10 mm	0 ... 1	0 ... 10	0 ... 145	0 ... 10 bar	0 ... 145 psi	–	548009	PAGN-40-10-P10
		0 ... 1.6	0 ... 16	0 ... 232	0 ... 16 bar	0 ... 232 psi	–	548010	PAGN-40-16-P10
Display unit [psi]/[bar]									
26	Cartridge 10 mm	0 ... 1	0 ... 10	0 ... 145	0 ... 145 psi	0 ... 10 bar	–	563732	PAGN-26-145P-P10
		0 ... 1.6	0 ... 16	0 ... 232	0 ... 232 psi	0 ... 16 bar	–	563731	PAGN-26-232P-P10
40	Cartridge 10 mm	0 ... 1	0 ... 10	0 ... 145	0 ... 145 psi	0 ... 10 bar	–	563734	PAGN-40-145P-P10
		0 ... 1.6	0 ... 16	0 ... 232	0 ... 232 psi	0 ... 16 bar	–	563733	PAGN-40-232P-P10
Display unit [MPa]									
26	Cartridge 10 mm	0 ... 1	0 ... 10	0 ... 145	0 ... 1 MPa	–	–	563736	PAGN-26-1M-P10
		0 ... 1.6	0 ... 16	0 ... 232	0 ... 1.6 MPa	–	–	563735	PAGN-26-1.6M-P10
40	Cartridge 10 mm	0 ... 1	0 ... 10	0 ... 145	0 ... 1 MPa	–	CPA ¹⁾	563738	PAGN-40-1M-P10-CPA
		0 ... 1.6	0 ... 16	0 ... 232	0 ... 1.6 MPa	–	CPA ¹⁾	563737	PAGN-40-1.6M-P10-CPA

1) Certification for measuring devices in China

Datasheet

Function



-  - Temperature range
-5 ... +50°C



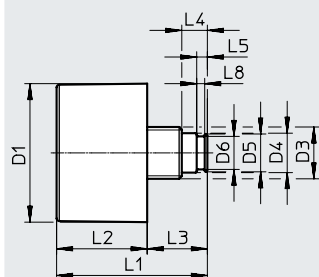
General technical data	
Nominal size	26
Pneumatic connection	G1/8 with sealing ring
Operating medium	Inert gases Neutral fluids
Note on the operating/pilot medium	No oxygen No acetylene
Design	Bourdon tube pressure gauge
Type of mounting	In-line installation
Connection position	Centred, rear
Ambient temperature [°C]	-5 ... +50
Temperature of medium [°C]	-5 ... +50 ¹⁾
Storage temperature [°C]	-5 ... +50
Measurement accuracy class	4
Intermittent load factor	0.66
Degree of protection	IP43
Weight [g]	8

1) If the temperature of the medium used is below 0 °C, ensure the operating medium is dry.

Materials	
Housing	ABS (colour: black)
Inspection window	PS
Screwed trunnion	ABS
Materials in contact with the media	ABS, brass
Note on materials	RoHS-compliant
LABS (PWIS) conformity	VDMA24364-B1/B2-L

Dimensions

Download CAD data → www.festo.com



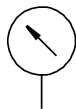
Type	D1 ∅	D3	D4 ∅	D5 ∅	D6 ∅	L1	L2	L3	L4	L5	L8 ∅
PAGN-26-...-G18S	26	G1/8	7.4 ±0.05	7.1	6.2 ±0.05	28.3	17	11.3	4.8	2	1.5 ±0.05


Ordering data

Nominal size	Pneumatic connection	Operating pressure			Display range		Part no.	Type
		[MPa]	[bar]	[psi]	Outer scale	Inner scale		
Display unit [bar]/[psi]								
26	G1/8 with sealing ring	0 ... 1	0 ... 10	0 ... 145	0 ... 10 bar	0 ... 145 psi	8088985	PAGN-26-10-G18S
Display unit [MPa]								
26	G1/8 with sealing ring	0 ... 1	0 ... 10	0 ... 145	0 ... 1 MPa	–	8088986	PAGN-26-1M-G18S

Datasheet

Function



-  - Temperature range
-20 ... +60°C



Technical data			
Nominal size	40		63
Pneumatic connection	R1/8	G1/8	G1/4
Operating medium	Inert gases Neutral fluids		
Note on the operating/ pilot medium	No oxygen No acetylene		
Design	Bourdon tube pressure gauge		
Conforms to standard	EN 837-1		
Type of mounting	In-line installation		
Connection position	Centred, rear		
Ambient temperature [°C]	-20 ... +60		
Temperature of medium [°C]	-20 ... +60 ¹⁾		
Storage temperature [°C]	-40 ... +70		
Measurement accuracy class	1.6	2.5	1.6
Continuous load factor	0.75		
Intermittent load factor	0.66		
Degree of protection	IP43		
Weight [g]	60	60	220

1) If the temperature of the medium used is below 0°C, ensure the operating medium is dry.

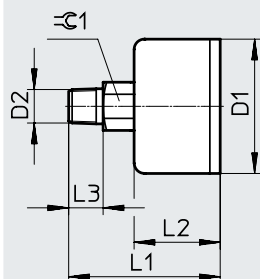
Materials	
Housing	ABS (colour: black)
Inspection window	PS
Screwed trunnion/ materials in contact with the media	Brass
Note on materials	RoHS-compliant
LABS (PWIS) conformity	VDMA24364-B1/B2-L

Datasheet

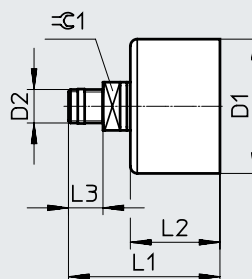
Dimensions

Download CAD data → www.festo.com

PAGN-40-...-R18



PAGN-40-...-G18PA

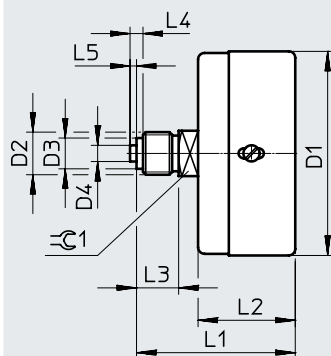


Type	D1 ∅	D2	L1	L2	L3	∅ 1
PAGN-40-...-R18	39	R1/8	44	25	10	14
PAGN-40-...-G18PA		G1/8		26		

Dimensions

Download CAD data → www.festo.com

PAGN-63



Type	D1 ∅	D2	D3 ∅	D4 ∅	L1	L2	L3	L4	L5	∅ 1
PAGN-63-...-G14	63	G1/4	9.5	5	49	30	13	4	2	14

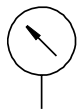
Ordering data

Nominal size	Pneumatic connection	Operating pressure			Display range		Certification	Part no.	Type
		[MPa]	[bar]	[psi]	Outer scale	Inner scale			
40	R1/8	0 ... 0.4	0 ... 4	0 ... 58	0 ... 0.4 MPa	0 ... 4 bar	–	8037010	PAGN-40-0.4M-R18-1.6
					0 ... 0.6 MPa	0 ... 6 bar	CPA ¹⁾	8178623	PAGN-40-0.4M-R18-1.6-CPA
					0 ... 0.6 MPa	0 ... 6 bar	–	8037011	PAGN-40-0.6M-R18-1.6
		0 ... 1.6	0 ... 16	0 ... 232	0 ... 1.6 MPa	0 ... 16 bar	–	8037012	PAGN-40-1.6M-R18-1.6
					0 ... 1.6 MPa	0 ... 16 bar	CPA ¹⁾	8178624	PAGN-40-0.6M-R18-1.6-CPA
					0 ... 1.6 MPa	0 ... 16 bar	–	8178625	PAGN-40-1.6M-R18-1.6-CPA
	G1/8	0 ... 1	0 ... 10	0 ... 145	0 ... 1 MPa	0 ... 10 bar	–	8037109	PAGN-40-1M-G18PA
63	G1/4	0 ... 0.025	0 ... 0.25	0 ... 3.625	0 ... 0.025 MPa	0 ... 0.25 bar	–	8036756	PAGN-63-0.025M-G14-1.6

1) Certification for measuring devices in China

Datasheet

Function



Temperature range
-20 ... +60°C



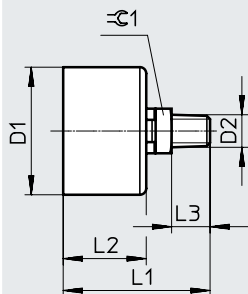
Technical data	
Nominal size	40
Pneumatic connection	R1/8
Operating medium	Inert gases Neutral fluids
Note on the operating/ pilot medium	No oxygen No acetylene
Design	Bourdon tube pressure gauge
Conforms to standard	EN 837-1
Type of mounting	In-line installation
Connection position	Centred, rear
Ambient temperature [°C]	-20 ... +60
Temperature of medium [°C]	-20 ... +60 ¹⁾
Storage temperature [°C]	-40 ... +70
Measurement accuracy class	1.6
Continuous load factor	0.75
Intermittent load factor	0.66
Degree of protection	IP43
Weight [g]	60

1) If the temperature of the medium used is below 0°C, ensure the operating medium is dry.

Materials	
Housing	PBT (colour: black)
Inspection window	PS
Screwed trunnion/ materials in contact with the media	Brass
Note on materials	RoHS-compliant
LABS (PWIS) conformity	VDMA24364-B1/B2-L

Dimensions

Download CAD data → www.festo.com



D1	D2	L1	L2	L3	± 0.1
\varnothing	R1/8	44	25 _{+0.5}	10	14

Datasheet

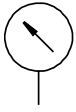
Ordering data									
Nominal size	Pneumatic connection	Operating pressure			Display range		Certification	Part no.	Type
		[MPa]	[bar]	[psi]	Outer scale	Inner scale			
Display unit [bar]/[psi]									
40	R1/8	0 ... 1	0 ... 10	0 ... 145	0 ... 10 bar	0 ... 145 psi	–	2849914	PAGN-40-10-R18-1.6
Display unit [MPa]/[bar]									
40	R1/8	0 ... 1	0 ... 10	0 ... 145	0 ... 1 MPa	0 ... 10 bar	–	2849916	PAGN-40-1M-R18-1.6
						–	CPA ¹⁾	8178622	PAGN-40-1M-R18-1.6-CPA


1) Certification for measuring devices in China

Flanged pressure gauge PAGN-P

Datasheet

Function



-  - Temperature range
-20 ... +60°C



Technical data			
Nominal size	40	50	63
Pneumatic connection	G1/4	G1/4	G1/4
Operating medium	Inert gases Neutral fluids		
Note on the operating/ pilot medium	No oxygen No acetylene		
Design	Bourdon tube pressure gauge		
Conforms to standard	EN 837-1		
Type of mounting	Front panel mounting		
Connection position	Centred, rear		
Ambient temperature [°C]	-20 ... +60		
Temperature of medium [°C]	-20 ... +60 ¹⁾		
Storage temperature [°C]	-40 ... +70		
Measurement accuracy class	-		1 (PAGN-P-63-...-G14-1)
	2.5		2.5 (PAGN-P-63-...-G14)
Continuous load factor	0.75		
Intermittent load factor	0.66		
Degree of protection	IP43		
Weight [g]	80	100	120

1) If the temperature of the medium used is below 0°C, ensure the operating medium is dry.

Materials	
Housing	ABS (colour: black)
Inspection window	SAN
Mounting ring/screws	Steel
Screwed trunnion/ materials in contact with the media	Brass
Note on materials	RoHS-compliant
LABS (PWIS) conformity	VDMA24364-B1/B2-L

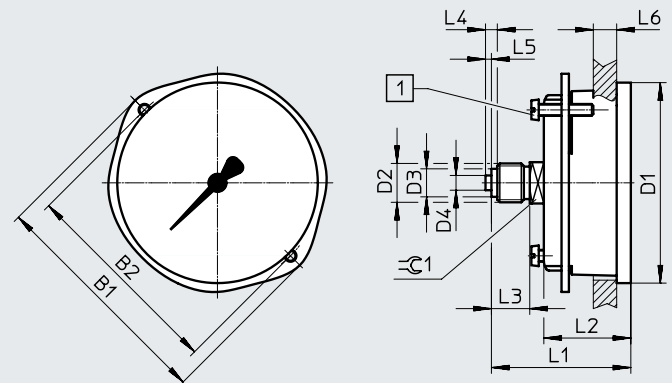
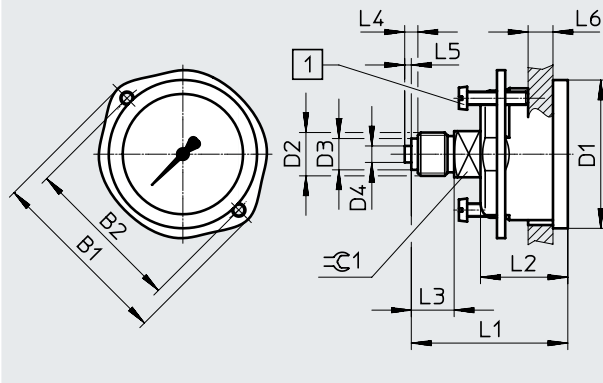
Datasheet

Dimensions

Download CAD data → www.festo.com

PAGN-P-40

PAGN-P-50/63



[1] Screw M4x20

Type	B1	B2	D1 ∅	D2	D3 ∅	D4 ∅	L1	L2	L3	L4	L5	L6		⊕ 1
												min.	max.	
PAGN-P-40	56	48	45	G1/4	9.5	5	47.5	26.5	13	4	2	0	15	14
PAGN-P-50	66	57	54				47.8	26.8						
PAGN-P-63	79	70	68				47.3	29.5						

Ordering data

Nominal size	Pneumatic connection	Operating pressure			Measurement accuracy class	Display range		Certification	Part no.	Type
		[MPa]	[bar]	[psi]		Outer scale	Inner scale			
Display unit [MPa]/[bar]										
40	G1/4	0 ... 1	0 ... 10	0 ... 145	2.5	0 ... 1 MPa	0 ... 10 bar	–	8037006	PAGN-P-40-1M-G14
							–	CPA ¹⁾	8178626	PAGN-P-40-1M-G14-CPA
		0 ... 1.6	0 ... 16	0 ... 232	2.5	0 ... 1.6 MPa	0 ... 16 bar	–	8037007	PAGN-P-40-1.6M-G14
50	G1/4	0 ... 1	0 ... 10	0 ... 145	2.5	0 ... 1 MPa	0 ... 10 bar	–	8037008	PAGN-P-50-1M-G14
							–	CPA ¹⁾	8178628	PAGN-P-50-1M-G14-CPA
		0 ... 1.6	0 ... 16	0 ... 232	2.5	0 ... 1.6 MPa	0 ... 16 bar	–	8037009	PAGN-P-50-1.6M-G14
63	G1/4	0 ... 0.1	0 ... 1	0 ... 14.5	1	0 ... 0.1 MPa	0 ... 1 bar	–	8037002	PAGN-P-63-0.1M-G14-1
							–	CPA ¹⁾	8178632	PAGN-P-63-0.1M-G14-1-CPA
		0 ... 0.4	0 ... 4	0 ... 58	1	0 ... 0.4 MPa	0 ... 4 bar	–	8037003	PAGN-P-63-0.4M-G14-1
							–	CPA ¹⁾	8178633	PAGN-P-63-0.4M-G14-1-CPA
		0 ... 0.6	0 ... 6	0 ... 87	1	0 ... 0.6 MPa	0 ... 6 bar	–	8037004	PAGN-P-63-0.6M-G14-1
							–	CPA ¹⁾	8178634	PAGN-P-63-0.6M-G14-1-CPA
		0 ... 1	0 ... 10	0 ... 145	2.5	0 ... 1 MPa	0 ... 10 bar	–	8037000	PAGN-P-63-1M-G14
–	CPA ¹⁾						8178630	PAGN-P-63-1M-G14-CPA		
0 ... 16 bar	–						8037001	PAGN-P-63-1.6M-G14		
0 ... 1.6	0 ... 16	0 ... 232	2.5	0 ... 1.6 MPa	0 ... 16 bar	–	8178631	PAGN-P-63-1.6M-G14-CPA		
					–	CPA ¹⁾	8037005	PAGN-P-63-1.6M-G14-1		
			1	0 ... 1.6 MPa	0 ... 16 bar	–	8178635	PAGN-P-63-1.6M-G14-1-CPA		

1) Certification for measuring devices in China