

## USB IO-Link Master, CDSU-1

**FESTO**

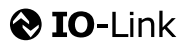


## Key features

### General information

The USB IO-Link Master CDSU-1 allows Festo IO-Link products to be commissioned quickly and intuitively.

For commissioning IO-Link devices with a higher output, a standardised 24 V industrial input port is available on the master (up to 2.5 A).



It is connected to a PC via a mini USB port. The M12 IO-Link connection and the USB interface are galvanically isolated to ensure safe and reliable operation.

Port Class B IO-Link devices up to 3.5 A (e.g. valve terminals) can be operated using the new NEDU distributor.

The USB IO-Link Master Tool software acts as the user interface for visualising and editing the parameters of IO-Link devices.

This software can be downloaded for free from the Support Portal.

IO-Link devices with a low current demand can be operated directly from the USB port of a PC via an integrated DC/DC converter (up to 80 mA).

### Key features / highlights

- Universal solution for the parameterisation and visualisation of IO-Link devices
- For all Festo IO-Link devices (sensors and actuators)
- Universal connections
- Galvanic isolation
- For port class A and port class B (with accessories)
- Connecting cables available as accessories for nearly all Festo IO-Link devices
- For IO-Link devices with protocol version 1.1 and 1.0
- Supports data storage
- IODD Finder Interface
- Future-proof: new functions, e.g. firmware updates via IO-Link, will be available regularly
- Compact, cost-effective and powerful

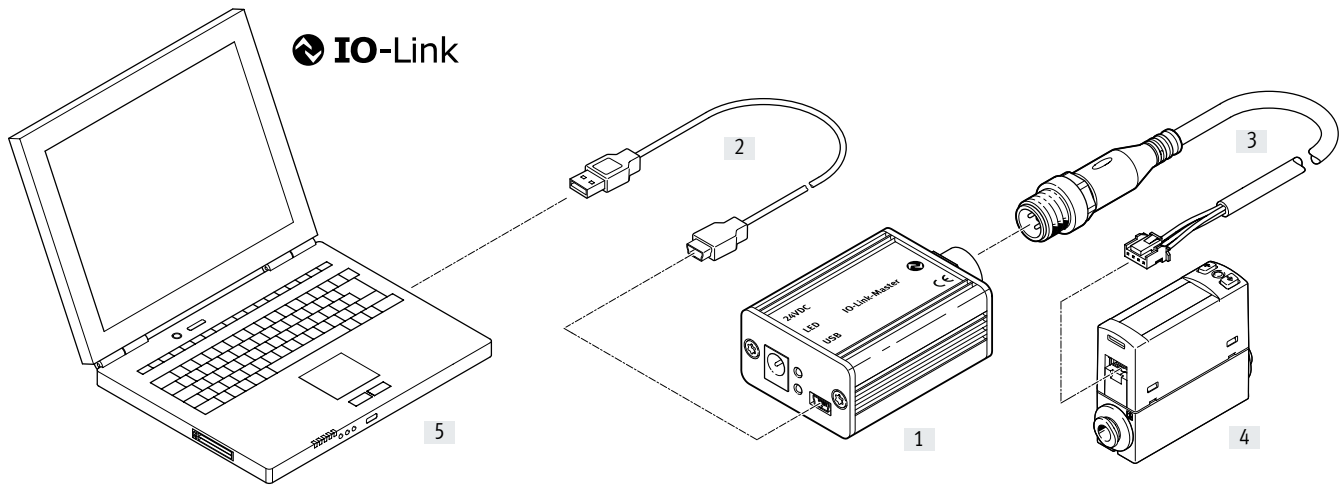
### CDSU-1



## Peripherals overview

### Connection example up to 80 mA:

Devices with a low current demand can be operated directly from the USB port of a PC via an integrated DC/DC converter.



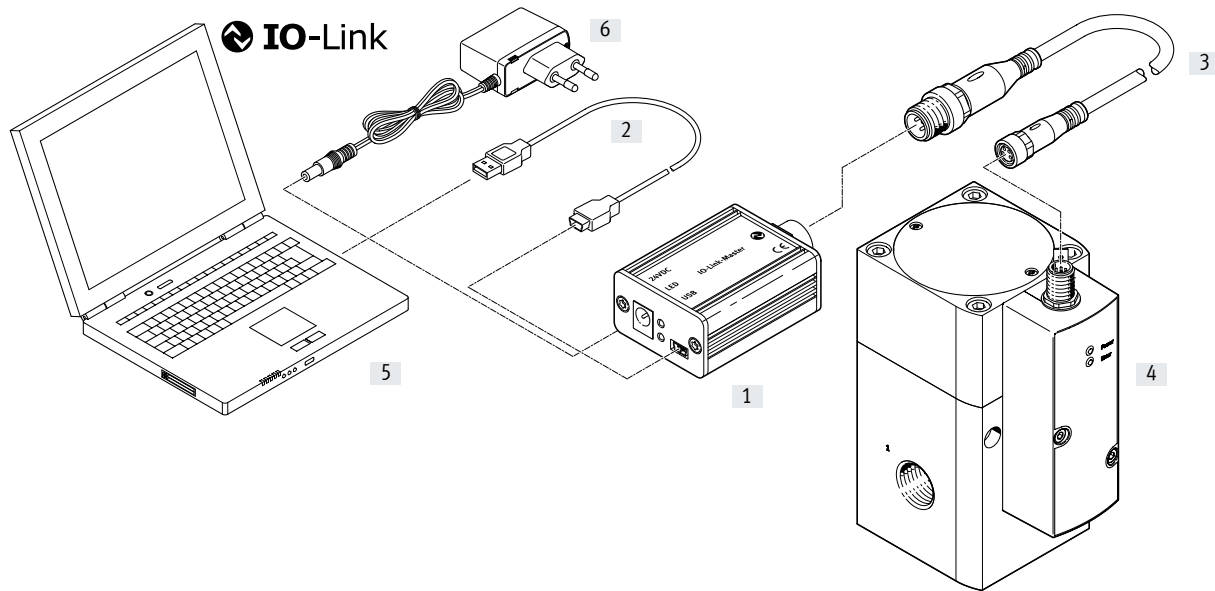
Product overview		Brief description	→ Page/Internet
[1]	Controller CDSU-1	For quick and intuitive commissioning of products with IO-Link	6
[2]	Connecting cable <sup>1)</sup>	Mini USB cable type A	-
[3]	Connecting cable NEBS-L1G4-K-1-N-M12G4	4 x 0.25 mm <sup>2</sup> , M12x1, A-coded, to EN 61076-2-101	11
[4]	Flow sensors SFAH-...	For monitoring compressed air and non-corrosive gases.	sfah
[5]	Laptop	-	-

1) Mini USB cable is included in the scope of delivery of the CDSU-1

## Peripherals overview

### Connection example up to 2.5 A:

For commissioning IO-Link devices with a higher output, a standardised 24 V industrial input port is available on the master for connecting an external power supply unit.



Product overview		Brief description	→ Page/Internet
[1]	Controller CDSU-1	For quick and intuitive commissioning of products with IO-Link	6
[2]	Connecting cable <sup>1)</sup>	Mini USB cable type A	–
[3]	Connecting cable NEBU-M8G4-K-1-N-M12G4	4 x 0.25 mm <sup>2</sup> , M8x1, A-coded, to EN 61076-2-104	12
[4]	Proportional valves VPPM	Proportional-pressure regulators	vppm
[5]	Laptop	–	–
[6]	Power supply unit <sup>2)</sup>	For supplying power	–

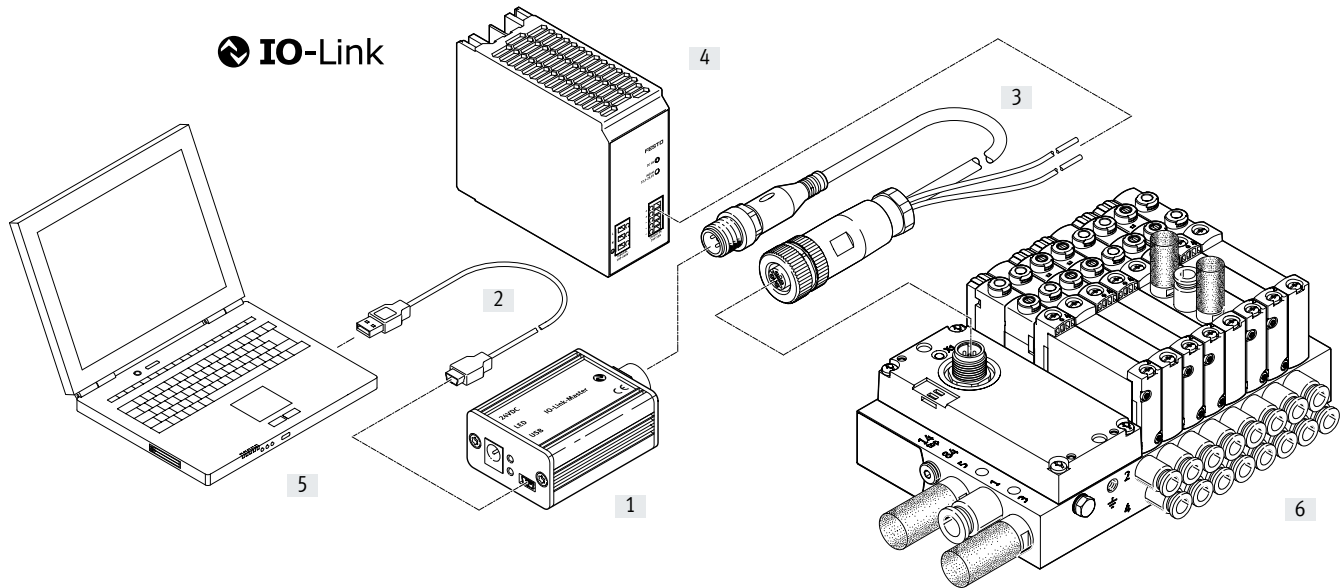
1) Mini USB cable is included in the scope of delivery of the CDSU-1

2) Power supply plug is not included in the scope of delivery of the CDSU-1

## Peripherals overview

### Connection example up to 3.5 A:

Port Class B IO-Link devices can be operated using the new distributor.



Product overview		Brief description	→ Page/Internet
[1]	Controller CDSU-1	For quick and intuitive commissioning of products with IO-Link	6
[2]	Connecting cable <sup>1)</sup>	Mini USB cable type A	–
[3]	Distributor NEDU-L1R2-M12G5-M12LE-1R	3 x 0.25 mm <sup>2</sup> , 2 x 0.5 mm <sup>2</sup>	9
[4]	Power supply unit <sup>2)</sup> CACN	For supplying power	–
[5]	Laptop	–	–
[6]	Valve terminal VTUG-...	Valve terminal with IO-Link interface	vtug

1) Mini USB cable is included in the scope of delivery of the CDSU-1

2) Power supply unit is not included in the scope of delivery of the CDSU-1

## Data sheet

**General technical data**

Type	CDSU-1
Conforms to standard	EN 61131-9
Certification	RCM compliance mark
CE marking (see declaration of conformity)	To EU EMC Directive To EU RoHS Directive
Note regarding use	For use with the USB IO-Link Master Tool software (available from the Support Portal) for Windows version 7 or higher (32/64-bit)

**Electronics**

Input voltage	5 V DC at the USB connection 24 V DC $\pm$ 6 V via external supply
Input current	Max. 600 mA at the USB connection Max. 2.5 A via external supply
Output voltage	24 V DC $\pm$ 10% with USB operation 24 V DC $\pm$ 6 V with external supply (max. input voltage)
IO-Link, output current	80 mA with USB operation Max. input current with external supply
Reverse polarity protection	For operating voltage connections
Short circuit protection	Yes
Overload protection	Not present

**Ambient conditions**

Ambient temperature	[°C]	0 ... 55
Storage temperature	[°C]	-10 ... 75
Degree of protection		IP20
Note on materials		RoHS-compliant

**Mechanical components**

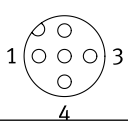
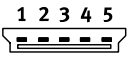
Product weight	[g]	106
Housing material		Anodised wrought aluminium alloy

## Data sheet

Communication interface for IO-Link	
Protocol	IO-Link
Protocol version	Master V 1.0 Master V 1.1
Communication mode	COM1 (4.8 kBd) COM2 (38.4 kBd) COM3 (230.4 kBd)
Port class	A B with accessories
Number of ports	1
Process data width OUT	Can be parameterised 0 - 32 bytes
Process data width IN	Can be parameterised 0 - 32 bytes
Minimum cycle time [ms]	1.5
Data memory available	2 kB/port

Power supply	
Function	Additional power supply
Connection technology	Coaxial
Number of pins/wires	2
Note on connection technology	For plugs with an O.D. of 5.5 mm For plugs with an I.D. of 2.1 mm
USB interface	
Connection type	Socket
Connection technology	USB 2.0 type B mini
Galvanic isolation	Yes

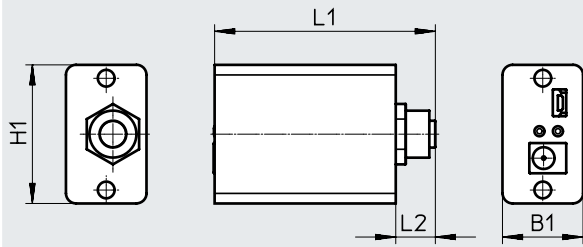
Electrical connection of IO-Link	
Number of pins/wires	5
Assigned pins/wires	3
Connection technology	M12x1, A-coded, to EN 61076-2-101

Pin allocation		
	Pin	Meaning
	1	+ 24 V
	2	Not assigned
	3	GND
	4	IO-Link (C/Q)
	5	Not assigned
	1	+ 5 V
	2	D-
	3	D+
	4	Not assigned
	5	GND

Data sheet

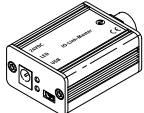
Dimensions

Download CAD data → [www.festo.com](http://www.festo.com)



Type	B1	H1	L1	L2
CDSU-1	24	41.3	65.8	11.8

Ordering data

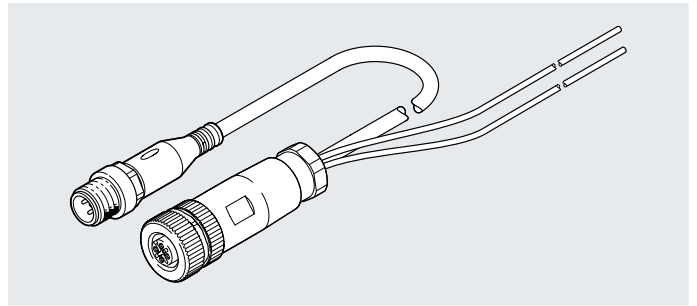
Controllers	Brief description	Part no.	Type
	The USB IO-Link Master CDSU-1 allows products with IO-Link to be commissioned quickly and intuitively <sup>1)</sup>	<b>8091509</b>	<b>CDSU-1</b>

1) Power supply plug is not included in the scope of delivery of the CDSU-1



## Accessories

### Distributor NEDU



General technical data			
Connecting cable 4x 0.25 mm <sup>2</sup>	Electrical connection 1	Electrical connection 2	Electrical connection 3
Design	Y distributor with cable on controller side		
Distributor type	1 to 2		
Based on standard	EN 61076-2-101		
Function	Field device side	Communication, IO-Link	Additional supply
Design type	Round	Round	-
Connection type	Socket	Plug	2x single wires
Cable outlet	Straight	Straight	-
Connection technology	M12x1, A-coded, to EN 61076-2-101	M12x1, A-coded, to EN 61076-2-101	Open end
Number of pins/wires	5	3	2
Assigned pins/wires	5	3	2
Cable characteristic	For static applications		
Cable length [m]	1		
Cable composition [mm <sup>2</sup> ]	3 x 0.25	3 x 0.25	2 x 0.5
Conductor nominal cross section [mm <sup>2</sup> ]	0.25	0.25	0.5
Bending radius, fixed cable installation	≥ 13.5 mm		
Bending radius, flexible cable installation	≥ 6 mm		
Cable diameter [mm]	4.5 and 1.75	4.5	1.75
Type of mounting	Screw-type lock with 18 mm hexagon and longitudinal knurl	Screw-type lock with hexagon A/F 13 mm and longitudinal knurl	-
Plug pattern			-

## Accessories

### Operating and environmental conditions

Ambient temperature	[°C]	-30 ... 80
Nominal operating voltage DC	[V]	24
Operating voltage range DC	[V]	0 ... 30
Current rating at 40°C	[A]	4
Surge resistance	[kV]	0.8
Degree of protection		IP65, IP68, IP69K
Note on degree of protection		When mounted IP40 for M12 socket
Pollution degree		3
Corrosion resistance class CRC <sup>1)</sup>		1

1) Corrosion resistance class CRC 1 to Festo standard FN 940070

Low corrosion stress. Dry indoor application or transport and storage protection. Also applies to parts behind coverings, in the non-visible interior area, and parts which are covered in the application (e.g. drive trunnions).

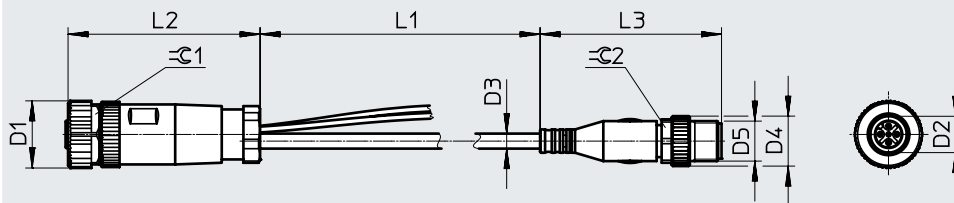
### Materials

Housing material	TPE-U(PUR), PA
Housing colour	Black
Cable sheath material	TPE-U(PUR)
Cable sheath colour	Grey
Material of screw-type lock	Nickel-plated brass, nickel-plated die-cast zinc
Material of pin contacts	Nickel-plated and gold-plated bronze
Insulating sheath material	PVC
Note on materials	RoHS-compliant

### Dimensions

Download CAD data → [www.festo.com](http://www.festo.com)

Distributor



Type	D1	D2	D3	D4	D5
NEDU-L1R2-M12G5-M12LE-1R	20.2 ∅	M12x1	4.5 ∅	15 ∅	M12x1

Type	L1	L2	L3	ϕ1	ϕ2
NEDU-L1R2-M12G5-M12LE-1R	1000	54	54.5	18	13

### Ordering data – Connecting cables

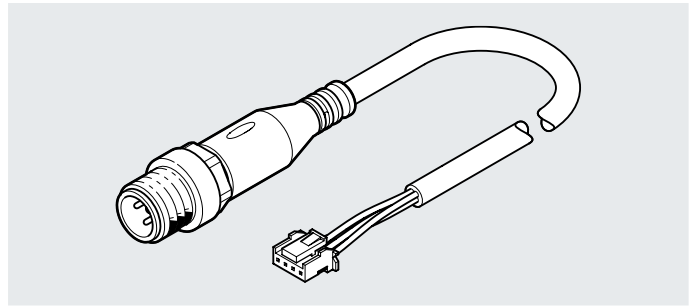
Data sheets → Internet: nebs

	Electrical connection 1 [mm <sup>2</sup> ]	Electrical connection 2 [mm <sup>2</sup> ]	Electrical connection 3 [mm <sup>2</sup> ]	Length [m]	Weight [g]	Part no.	Type
	3 x 0.25	3 x 0.25	3 x 0.5	1	78	8091516	NEDU-L1R2-M12G5-M12LE-1R

## Accessories

### Connecting cables NEBS

e.g. for SPAN, SCDN and SFAH



General technical data		
Connecting cable 4x 0.25 mm <sup>2</sup>	Electrical connection 1	Electrical connection 2
Function	Field device side	Controller side
Design type	Rectangular	Round
Connection type	Socket	Plug
Cable outlet	Straight	Straight
Connection technology	Plug pattern L1]	M12x1, A-coded, to EN 61076-2-101
Number of pins/wires	4	4
Assigned pins/wires	4	4
Cable characteristic	Standard	
Bending radius, fixed cable installation	≥ 14 mm	
Bending radius, flexible cable installation	≥ 46 mm	
Cable diameter [mm]	4.5	
Conductor nominal cross section [mm <sup>2</sup> ]	0.25	
Type of mounting	Snap-locking	Screw-type lock with hexagon A/F 13 mm and longitudinal knurl
Plug pattern	<p>4 3 2 1</p>	

Operating and environmental conditions		
Ambient temperature [°C]	-20 ... 60	
Ambient temperature with flexible cable installation [°C]	-5 ... 60	
Storage temperature [°C]	-20 ... 60	
Operating voltage range DC [V]	0 ... 30	
Current rating at 40°C [A]	1	
Surge resistance [kV]	0.8	
Degree of protection	IP65, IP67, IP69K	
Note on degree of protection	When mounted IP40 for plug pattern L1]	
Pollution degree	2	
Corrosion resistance class CRC <sup>1)</sup>	2	

1) Corrosion resistance class CRC 2 to Festo standard FN 940070  
Moderate corrosion stress. Indoor applications in which condensation can occur. External visible parts with primarily decorative surface requirements which are in direct contact with a normal industrial environment.

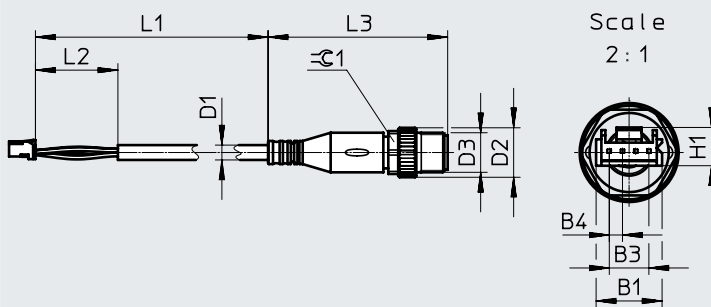
Accessories

Materials	
Housing material	PA, TPE-U(PUR)
Housing colour	Black, white
Cable sheath material	TPE-U(PUR)
Material of screw-type lock	Nickel-plated brass
Material of pin contacts	Tin-plated bronze, gold-plated brass
Insulating sheath material	PP
Cable sheath colour	Grey
Note on materials	RoHS-compliant, halogen-free

Dimensions

Download CAD data → [www.festo.com](http://www.festo.com)

Plug



Type	B1	B3	B4	D1 ∅	D2 ∅
NEBS-L1G4-K-1-N-M12G4	10	6	2	4.5	15

Type	D3	H1	L1	L2	L3	⊕ 1
NEBS-L1G4-K-1-N-M12G4	M12x1	5.8	1000	25	54.5	13

Ordering data – Connecting cable

Data sheets → Internet: nebs

	Electrical connection 1	Electrical connection 2	Length [m]	Cable composition [mm <sup>2</sup> ]	Weight [g]	Part no.	Type
	Plug pattern L1]	M12x1, A-coded, to EN 61076-2-101	1	4 x 0.25	40	8091514	NEBS-L1G4-K-1-N-M12G4

Ordering data

	Cable composition	Electrical connection	Part no.	Type
	3 x 0.25 mm <sup>2</sup>	M12x1, A-coded, to EN 61076-2-101	8091511	NEBU-M12G5-K-1-N-M12G3
		M8x1, A-coded, to EN 61076-2-104	8091512	NEBU-M8G3-K-1-N-M12G3
		Open end	8091515	NEBU-LE3-K-1-N-M12G3
	4 x 0.25 mm <sup>2</sup>	M8x1, A-coded, to EN 61076-2-104	8091513	NEBU-M8G4-K-1-N-M12G4