

Cartridge fittings QSP



# Cartridge fittings QSP

Technical data

General technical data	
Size	Mini
	Standard
Design	Push-pull principle
Mounting position	Any
Type of seal on threaded plug	O-ring

Operating and environmental conditions					
Cartridge fitting	QSP10	QSP...10	QSP...14	QSP...18	QSP...20
Operating pressure [bar]	-0.95 ... +10				
complete temperature range					
Operating medium	Compressed air in accordance with ISO 8573-1:2010 [7:-:-]				
Note on operating/pilot medium	Operation with lubricated medium possible				
Ambient temperature [°C]	0 ... +60	-5 ... +60	-5 ... +60	-5 ... +60	-5 ... +60
Corrosion resistance class CRC <sup>1)</sup>	1				
Maritime classification	See certificate <sup>2)</sup>				

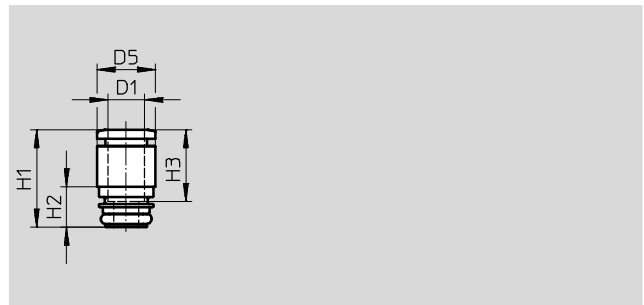
- 1) Corrosion resistance class CRC 1 to Festo standard FN 940070  
Low corrosion stress. For dry indoor applications or transport and storage protection. Also applies to parts behind covers, in the non-visible interior area, and parts which are covered in the application (e.g. drive trunnions).
- 2) Additional information [www.festo.com/sp](http://www.festo.com/sp) → Certificates.

Materials					
Cartridge fitting	QSP10	QSP...10	QSP...14	QSP...18	QSP...20
Housing	Nickel-plated brass	Reinforced PA	Reinforced PA	Reinforced PA	Reinforced PA
Releasing ring	POM (colour: blue)				
Tube retaining claw	High-alloy stainless steel				
Tubing seal	NBR				
Note on materials	Conforms to RoHS				

# Cartridge fittings QSP

Technical data

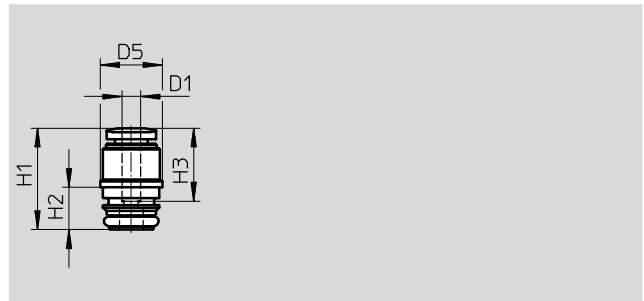
## Cartridge fittings QSP10



Pneumatic connection		D5	H1	H2	H3	Part No.	Type	PU <sup>1)</sup>
Cartridge [mm]	For tubing O.D. D1 [mm]	∅						
10	4	9.8	16.2	6.7	11.6	172972	QSP10-4	10
	6	9.8	16.2	6.7	11.9	172973	QSP10-6	10

1) Packaging unit quantity.

## Cartridge fittings QSPKG10



Pneumatic connection		Nominal size	D5	H1	H2	H3	Weight/piece	Part No.	Type	PU <sup>1)</sup>
Cartridge [mm]	For tubing O.D. D1 [mm]	[mm]	∅				[g]			
10	3	1.6	9.75	16.1	6.7	11.6	1.5	132621	QSPKG10-3	10
	4	2.3	9.75	16.1	6.7	11.6	1.4	132622	QSPKG10-4	10
	6	3.7	10.55	18.1	6.7	11.9	1.8	132623	QSPKG10-6	10

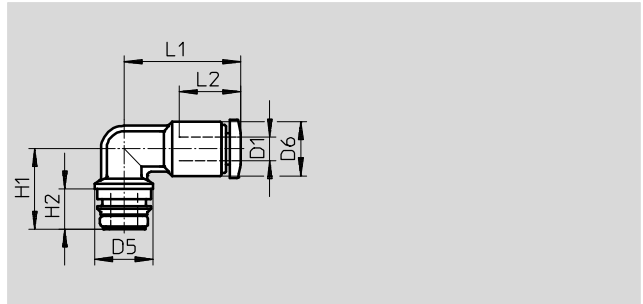
1) Packaging unit quantity.

# Cartridge fittings QSP

Technical data

FESTO

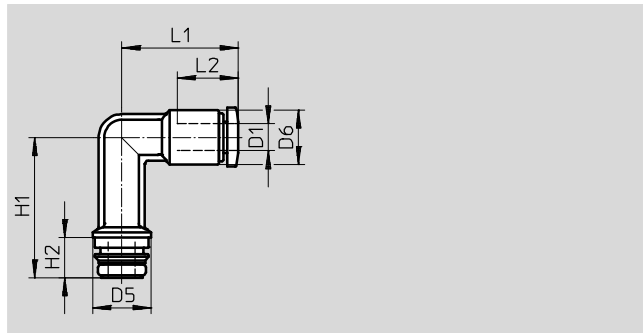
## Cartridge fittings QSPLKG10



Dimensions and ordering data												
Pneumatic connection		Nominal size [mm]	D5 Ø	D6 Ø	H1	H2	L1	L2	Weight/piece [g]	Part No.	Type	PU <sup>1)</sup>
Cartridge [mm]	For tubing O.D. D1 [mm]											
10	3	1.8	9.75	9.4	13.4	6.7	18.2	11.6	2.1	132853	QSPLKG10-3	10
	4	2.3	9.75	9.4	13.4	6.7	18.2	11.6	2	132920	QSPLKG10-4	10
	6	3.3	9.75	10.55	14.4	6.7	19.8	11.9	2.7	132921	QSPLKG10-6	10

1) Packaging unit quantity.

## Cartridge fittings QSPLLKG10



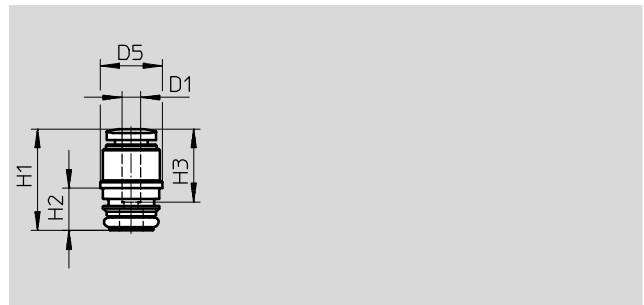
Dimensions and ordering data												
Pneumatic connection		Nominal size [mm]	D5 Ø	D6 Ø	H1	H2	L1	L2	Weight/piece [g]	Part No.	Type	PU <sup>1)</sup>
Cartridge [mm]	For tubing O.D. D1 [mm]											
10	3	1.8	9.75	9.4	23.4	6.7	18.2	11.6	2.5	132861	QSPLLKG10-3	10
	4	2.3	9.75	9.4	23.4	6.7	18.2	11.6	2.4	132925	QSPLLKG10-4	10
	6	3.3	9.75	10.55	26.4	6.7	19.8	11.9	3.2	132926	QSPLLKG10-6	10

1) Packaging unit quantity.

# Cartridge fittings QSP

Technical data

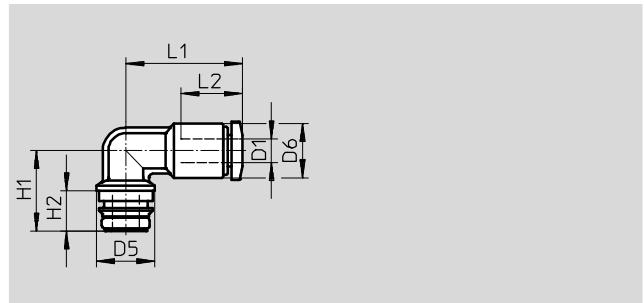
## Cartridge fittings QSPK10



Dimensions and ordering data										
Pneumatic connection		Nominal size [mm]	D5 Ø	H1	H2	H3	Weight/piece [g]	Part No.	Type	PU <sup>1)</sup>
Cartridge [mm]	For tubing O.D. D1 [mm]									
10	3	1.6	9.75	16.1	6.7	11.6	1.5	<b>132978</b>	<b>QSPK10-3</b>	<b>10</b>
	4	2.3	9.75	16.1	6.7	11.6	1.4	<b>132979</b>	<b>QSPK10-4</b>	<b>10</b>
	6	3.7	10.55	18.1	6.7	11.9	1.8	<b>132980</b>	<b>QSPK10-6</b>	<b>10</b>

1) Packaging unit quantity.

## Cartridge fittings QSPLK10



Dimensions and ordering data												
Pneumatic connection		Nominal size [mm]	D5 Ø	D6 Ø	H1	H2	L1	L2	Weight/piece [g]	Part No.	Type	PU <sup>1)</sup>
Cartridge [mm]	For tubing O.D. D1 [mm]											
10	4	2.3	9.75	9,4	13.4	6.7	19.4	19.4	2.1	<b>132601</b>	<b>QSPLK10-4</b>	<b>10</b>
	6	3.5	9.75	11	14.4	6.7	20.3	11.9	2.8	<b>132602</b>	<b>QSPLK10-6</b>	<b>10</b>

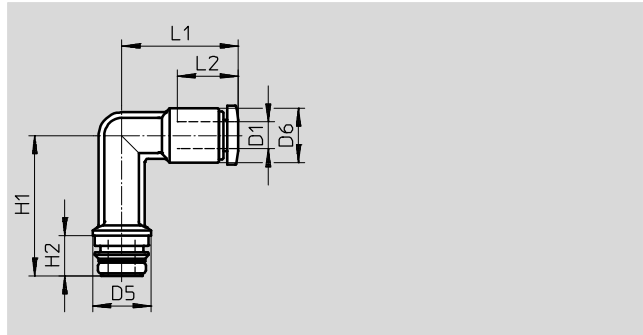
1) Packaging unit quantity.

# Cartridge fittings QSP

Technical data



## Cartridge fittings QSPLLK10



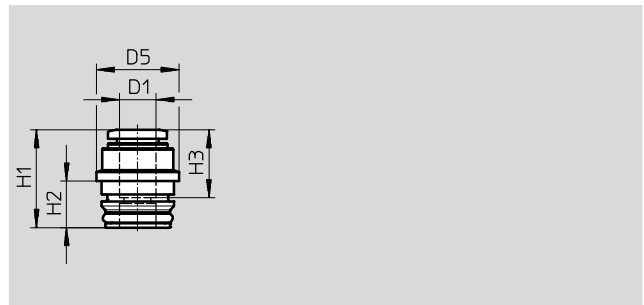
Dimensions and ordering data												
Pneumatic connection		Nominal size [mm]	D5 ∅	D6 ∅	H1	H2	L1	L2	Weight/piece [g]	Part No.	Type	PU <sup>1)</sup>
Cartridge [mm]	For tubing O.D. D1 [mm]											
10	4	2.3	9.75	9,4	23.4	6.7	19.4	11.6	2.4	<b>132603</b>	<b>QSPLLK10-4</b>	<b>10</b>
	6	3.5	9.75	11	26.4	6.7	20.3	11.9	3.3	<b>132604</b>	<b>QSPLLK10-6</b>	<b>10</b>

1) Packaging unit quantity.

# Cartridge fittings QSP

Technical data

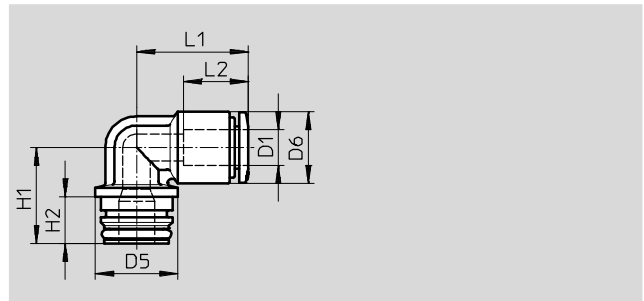
## Cartridge fittings QSPKG14



Dimensions and ordering data										
Pneumatic connection		Nominal size [mm]	D5 Ø	H1	H2	H3	Weight/piece [g]	Part No.	Type	PU <sup>1)</sup>
Cartridge [mm]	For tubing O.D. D1 [mm]									
14	6	3.5	13.7	16.5	7.75	11.9	2.4	<b>132930</b>	<b>QSPKG14-6</b>	<b>10</b>
	8	5.2	14.6	25.2	7.75	18.1	5.3	<b>132931</b>	<b>QSPKG14-8</b>	<b>10</b>

1) Packaging unit quantity.

## Cartridge fittings QSPLKG14



Dimensions and ordering data												
Pneumatic connection		Nominal size [mm]	D5 Ø	D6 Ø	H1	H2	L1	L2	Weight/piece [g]	Part No.	Type	PU <sup>1)</sup>
Cartridge [mm]	For tubing O.D. D1 [mm]											
14	6	3.3	13.7	11.9	16	7.75	18.8	11.9	3.5	<b>132938</b>	<b>QSPLKG14-6</b>	<b>10</b>
	8	4.8	13.7	14.6	17.8	7.75	28.2	18.1	7.1	<b>132939</b>	<b>QSPLKG14-8</b>	<b>10</b>

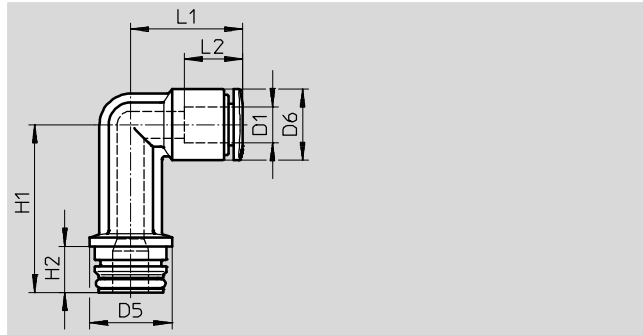
1) Packaging unit quantity.

# Cartridge fittings QSP

Technical data

FESTO

## Cartridge fittings QSPLLKG14



Dimensions and ordering data												
Pneumatic connection		Nominal size [mm]	D5 ∅	D6 ∅	H1	H2	L1	L2	Weight/piece [g]	Part No.	Type	PU <sup>1)</sup>
Cartridge [mm]	For tubing O.D. D1 [mm]											
14	6	3.4	13.7	11.9	28.0	7.75	18.8	11.9	4.0	132942	QSPLLKG14-6	10
	8	4.7	13.7	14.6	33.3	7.75	28.2	18.1	8.1	132943	QSPLLKG14-8	10

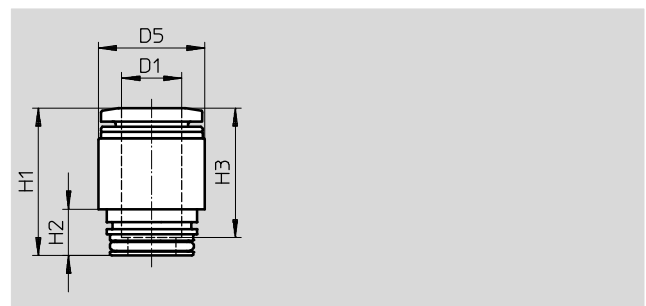
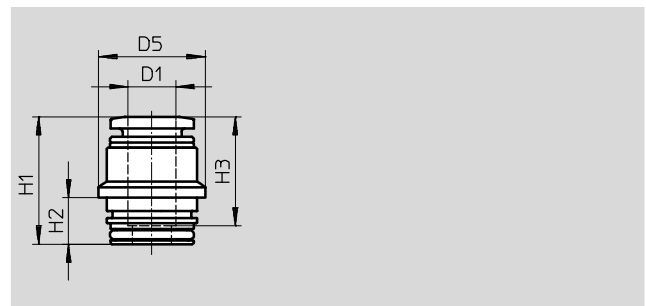
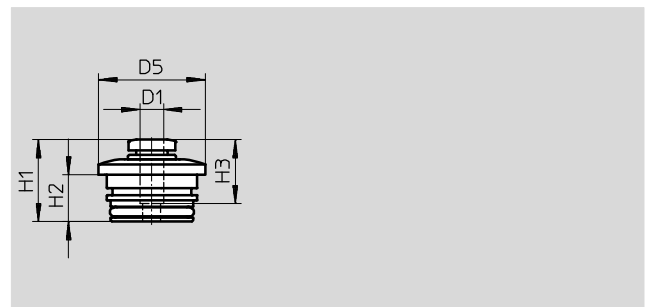
1) Packaging unit quantity.



# Cartridge fittings QSP

Technical data

## Cartridge fittings QSPK18



Dimensions and ordering data										
Pneumatic connection		Nominal size [mm]	D5 Ø	H1	H2	H3	Weight/piece [g]	Part No.	Type	PU <sup>1)</sup>
Cartridge [mm]	For tubing O.D. D1 [mm]									
18	4	2.3	17.7	13.6	7.75	11.6	2.8	130839	QSPK18-4	10
	6	3.8	17.7	13.7	7.75	11.9	3	130840	QSPK18-6	10
	8	5.5	17.7	20.7	7.75	18.2	5.4	130841	QSPK18-8	10
	10	6.7	17.7	24.5	7.75	20.2	8.1	130842	QSPK18-10	10

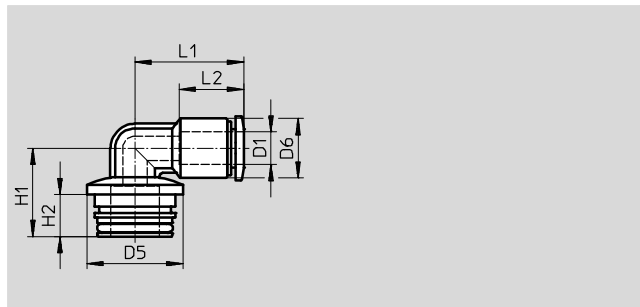
1) Packaging unit quantity.

# Cartridge fittings QSP

Technical data



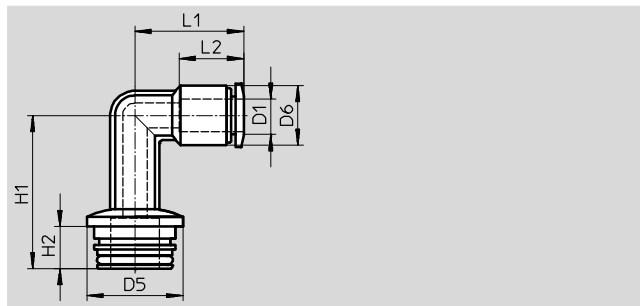
## Cartridge fittings QSPLK18



Dimensions and ordering data												
Pneumatic connection		Nominal size [mm]	D5 Ø	D6 Ø	H1	H2	L1	L2	Weight/piece [g]	Part No.	Type	PU <sup>1)</sup>
Cartridge [mm]	For tubing O.D. D1 [mm]											
18	4	2.3	17.7	9	15.3	7.75	19.4	11.6	3.2	130843	QSPLK18-4	10
	6	3.6	17.7	11	16.3	7.75	20.3	11.9	3.9	130844	QSPLK18-6	10
	8	5.2	17.7	15	18.3	7.75	27.2	18.2	7.5	130845	QSPLK18-8	10
	10	6.7	17.7	17.7	19.6	7.75	29.5	20.2	10.8	132639	QSPLK18-10	10

1) Packaging unit quantity.

## Cartridge fittings QSPLK18



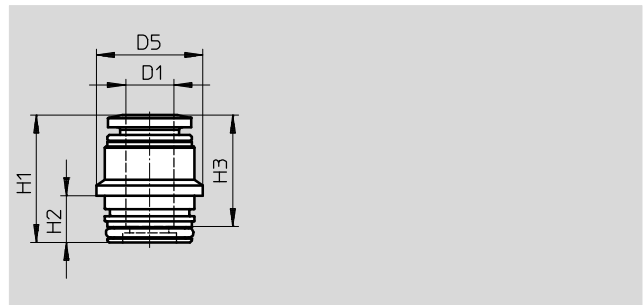
Dimensions and ordering data												
Pneumatic connection		Nominal size [mm]	D5 Ø	D6 Ø	H1	H2	L1	L2	Weight/piece [g]	Part No.	Type	PU <sup>1)</sup>
Cartridge [mm]	For tubing O.D. D1 [mm]											
18	4	2.3	17.7	9	25.3	7.75	19.4	11.6	3.5	130846	QSPLK18-4	10
	6	3.6	17.7	11	28.3	7.75	20.3	11.9	4.3	130847	QSPLK18-6	10
	8	5.2	17.7	15	34.3	7.75	27.2	18.2	8.1	130848	QSPLK18-8	10
	10	6.4	17.7	17.7	38.3	7.75	29.5	20.2	12	132640	QSPLK18-10	10

1) Packaging unit quantity.

# Cartridge fittings QSP

Technical data

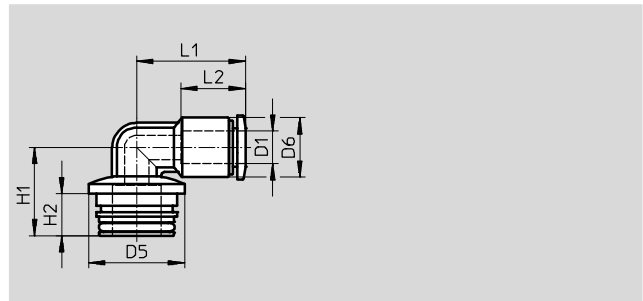
## Cartridge fittings QSPKG18



Dimensions and ordering data										
Pneumatic connection		Nominal size [mm]	D5 $\varnothing$	H1	H2	H3	Weight/piece [g]	Part No.	Type	PU <sup>1)</sup>
Cartridge [mm]	For tubing O.D. D1 [mm]									
18	8	5.5	17.7	20.7	7.75	18.2	5.4	<b>132649</b>	<b>QSPKG18-8</b>	<b>10</b>
	10	6.7	17.7	24.5	7.75	20.2	8.1	<b>132650</b>	<b>QSPKG18-10</b>	<b>10</b>

1) Packaging unit quantity.

## Cartridge fittings QSPLKG18



Dimensions and ordering data												
Pneumatic connection		Nominal size [mm]	D5 $\varnothing$	D6 $\varnothing$	H1	H2	L1	L2	Weight/piece [g]	Part No.	Type	PU <sup>1)</sup>
Cartridge [mm]	For tubing O.D. D1 [mm]											
18	8	5.2	17.7	15	18.3	7.75	27.2	18.2	7.5	<b>132946</b>	<b>QSPLKG18-8</b>	<b>10</b>
	10	6.7	17.7	17.7	19.6	7.75	29.5	20.2	10.8	<b>132947</b>	<b>QSPLKG18-10</b>	<b>10</b>

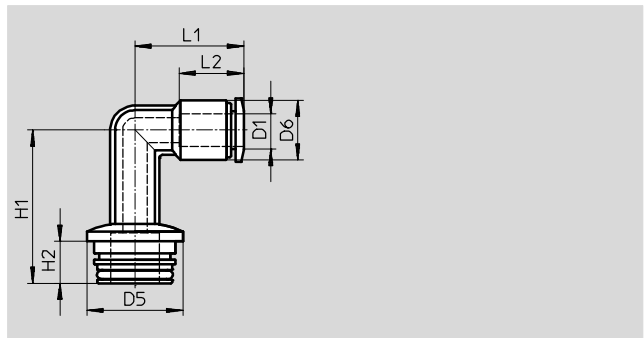
1) Packaging unit quantity.

# Cartridge fittings QSP

Technical data



## Cartridge fittings QSPLLKG18



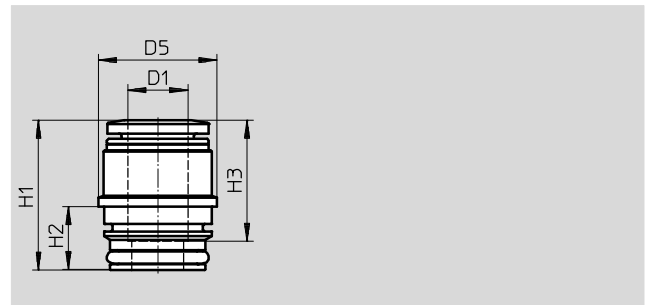
Dimensions and ordering data												
Pneumatic connection		Nominal size [mm]	D5 $\varnothing$	D6 $\varnothing$	H1	H2	L1	L2	Weight/piece [g]	Part No.	Type	PU <sup>1)</sup>
Cartridge [mm]	For tubing O.D. D1 [mm]											
18	8	5.2	17.7	15	18.3	7.75	27.2	18.2	8.1	<b>132950</b>	<b>QSPLLKG18-8</b>	<b>10</b>
	10	6.4	17.7	17.7	19.6	7.75	29.5	20.2	12	<b>132951</b>	<b>QSPLLKG18-10</b>	<b>10</b>

1) Packaging unit quantity.

# Cartridge fittings QSP

Technical data

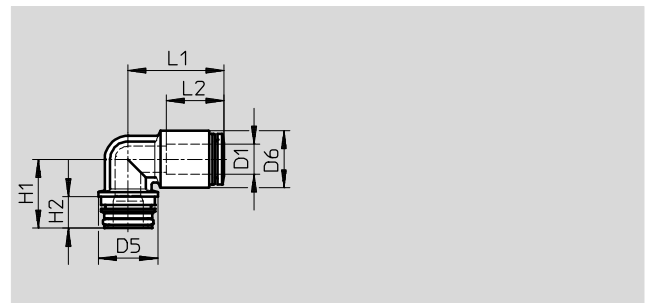
## Cartridge fittings QSPKG20



Dimensions and ordering data										
Pneumatic connection		Nominal size [mm]	D5 $\varnothing$	H1	H2	H3	Weight/piece [g]	Part No.	Type	PU <sup>1)</sup>
Cartridge [mm]	For tubing O.D. D1 [mm]									
20	8	5.4	19.75	19.1	10.6	18.1	6	132633	QSPKG20-8	10
	10	6.4	19.75	25	10.6	20.2	9	132634	QSPKG20-10	10
	12	8.3	21.1	32.7	10.6	23.4	13	132635	QSPKG20-12	10

1) Packaging unit quantity.

## Cartridge fittings QSPLKG20



Dimensions and ordering data												
Pneumatic connection		Nominal size [mm]	D5 $\varnothing$	D6 $\varnothing$	H1	H2	L1	L2	Weight/piece [g]	Part No.	Type	PU <sup>1)</sup>
Cartridge [mm]	For tubing O.D. D1 [mm]											
20	8	4.8	19.75	16.0	21.5	10.6	29.7	18.1	10	132855	QSPLKG20-8	10
	10	6.1	19.75	19.0	23.0	10.6	32.0	20.2	14	132856	QSPLKG20-10	10
	12	7.7	19.75	21.1	24.0	10.6	36.2	23.4	17	132857	QSPLKG20-12	10

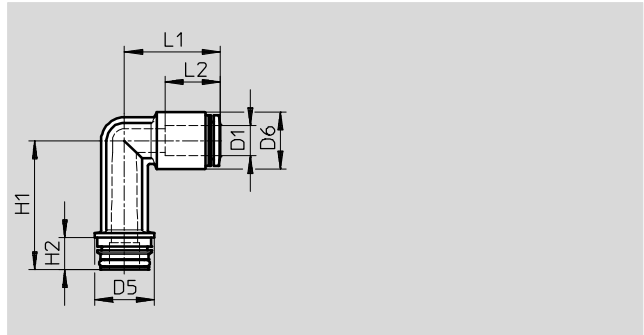
1) Packaging unit quantity.

# Cartridge fittings QSP

Technical data

FESTO

## Cartridge fittings QSPLLKG20



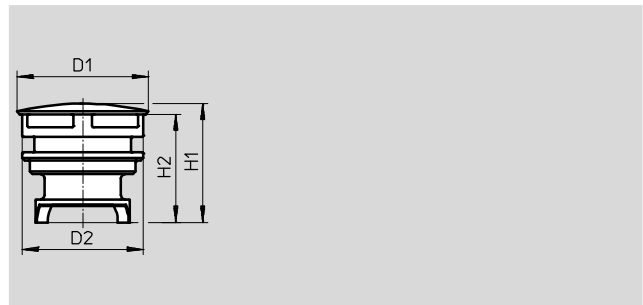
Dimensions and ordering data												
Pneumatic connection		Nominal size [mm]	D5 Ø	D6 Ø	H1	H2	L1	L2	Weight/piece [g]	Part No.	Type	PU <sup>1)</sup>
Cartridge [mm]	For tubing O.D. D1 [mm]											
20	8	4.8	19.75	16.0	38.5	10.6	29.7	18.1	11	132863	QSPLLKG20-8	10
	10	6	19.75	19.0	43.0	10.6	32.0	20.2	15	132864	QSPLLKG20-10	10
	12	7.3	19.75	21.1	45.9	10.6	36.2	23.4	20	132865	QSPLLKG20-12	10

1) Packaging unit quantity.

# Cartridge fittings QSP

Technical data

## Blanking plug QSPC10



Operating and environmental conditions		
Operating pressure [bar]	complete temperature range	0 ... +8
Ambient temperature [°C]		-5 ... +60
Corrosion resistance class CRC <sup>1)</sup>		0

1) Corrosion resistance class CRC 0 to Festo standard FN 940070  
 No corrosion stress. Applies to small, optically irrelevant standard parts such as threaded pins, circlips and clamping sleeves which are usually only available in a phosphated or burnished version (and possibly oiled) as well as to ball bearings (for components < CRC 3) and plain bearings.

Materials	
Blanking plug	POM
O-ring	NBR
Note on materials	Conforms to RoHS
	Free of copper and PTFE

Dimensions and ordering data							
D1	D2	H1	H2	Weight/piece [g]	Part No.	Type	PJ <sup>1)</sup>
9.8	9	8.8	8.0	0.4	562243	QSPC10	10

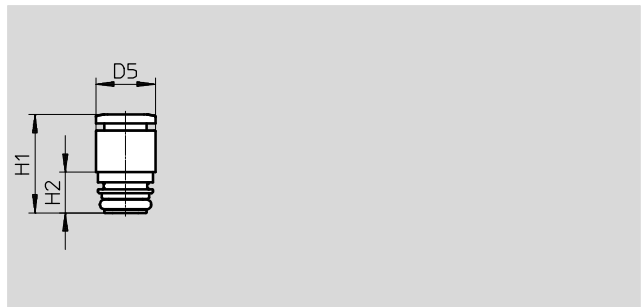
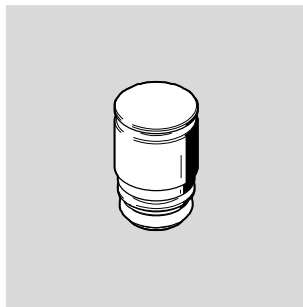
1) Packaging unit quantity.

# Cartridge fittings QSP

Technical data

FESTO

## Blanking plug QSP...-PTB



General technical data	
Mounting position	Any
Operating and environmental conditions	
Operating pressure [bar]	-0.95 ... +10
complete temperature range	
Operating medium	Compressed air in accordance with ISO 8573-1:2010 [7:-:-]
Note on operating/pilot medium	Operation with lubricated medium possible
Ambient temperature [°C]	-10 ... +60
Maritime classification	See certificate <sup>1)</sup>

1) Additional information [www.festo.com/sp](http://www.festo.com/sp) → Certificates.

Materials	
Housing	PA
Tubing seal	NBR
Note on materials	Conforms to RoHS

Dimensions and ordering data						
D5 ∅	H1	H2	Weight/piece [g]	Part No.	Type	PU <sup>1)</sup>
9.7 ±0.1	16.2	6.7	1.1	172976	QSP10-PTB	1
13.8	22	7.8 -0.1	2.7	172987	QSP14-PTB	1
16.8	24.5	7.8 -0.1	4.7	172996	QSP17-PTB	1

1) Packaging unit quantity.