

Connecting cables NEBV, for valves

Technical data

Connecting cable NEBV-HSG2

- Connecting cable for VUVG valves
- Pre-assembled
- Cable lengths 0.5 to 5 m
- For connecting to electrical connection box VAVE-L1-...S



General technical data		
Electrical connection	Socket, 2-pin	
Nominal operating voltage	[V DC]	0 ... 30
Wire insulation colour code	Pin1	Black
	Pin2	Red
Type of mounting	Clip	
Mounting position	Any	
Protection class to EN 60529	IP40	

Materials		
Type	NEBV-HSG2-KN	NEBV-HSG2-P
Housing	POM	POM
Housing colour	Black	Black
Pin contact	Tin-plated copper alloy	Tin-plated copper alloy
Cable sheath	-	PUR
Cable sheath colour	-	Grey
Insulating sheath	PVC	PVC
Cable properties	-	Suitable for use with energy chains
Note on materials	RoHS-compliant	RoHS-compliant

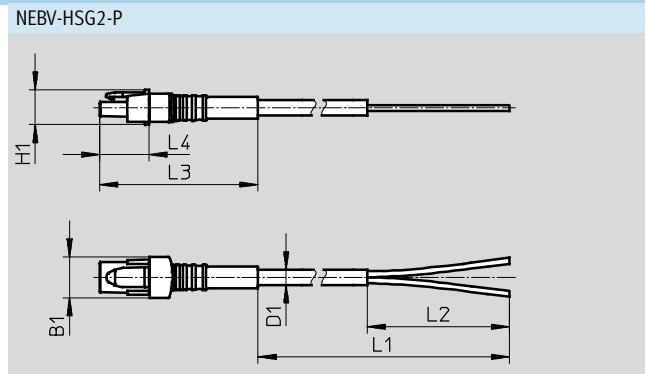
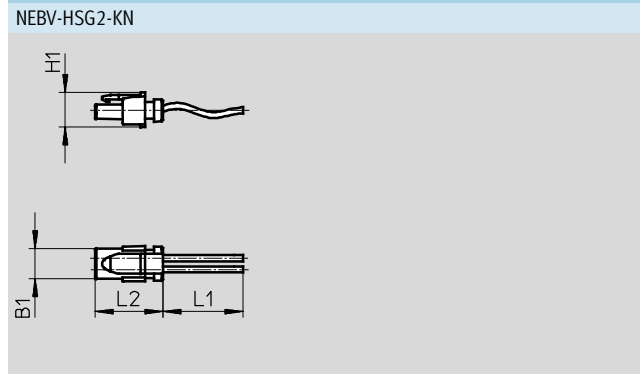
Operating and environmental conditions		
Ambient temperature	[°C]	-5 ... +60

Circuitry (view of socket)		
	Pin	Wire colour
	1	Black
	2	Red

Connecting cables NEBV, for valves

Technical data

Dimensions Download CAD data → www.festo.com



Type	B1	H1	L1	L2
NEBV-HSG2-KN-0.5-N-LE2	7.8	7.7	500	15
NEBV-HSG2-KN-1-N-LE2			1000	
NEBV-HSG2-KN-2.5-N-LE2			2500	
NEBV-HSG2-KN-5-N-LE2			5000	

Type	B1	D1	H1	L1	L2	L3	L4
NEBV-HSG2-P-0.5-N-LE2	9	3.4	7.7	500	50	35.2	11
NEBV-HSG2-P-1-N-LE2				1000			
NEBV-HSG2-P-2.5-N-LE2				2500			
NEBV-HSG2-P-5-N-LE2				5000			

Ordering data

Electrical connection	Cable composition	Product weight [g]	Length [m]	Part No.	Type
Straight socket, 2-pin	2 individual cables	4	0.5	566662	NEBV-HSG2-KN-0.5-N-LE2
		7	1	566663	NEBV-HSG2-KN-1-N-LE2
		17	2.5	566664	NEBV-HSG2-KN-2.5-N-LE2
		31	5	566665	NEBV-HSG2-KN-5-N-LE2
	2-wire cable	8	0.5	566666	NEBV-HSG2-P-0.5-N-LE2
		16	1	566667	NEBV-HSG2-P-1-N-LE2
		35	2.5	566668	NEBV-HSG2-P-2.5-N-LE2
		70	5	566669	NEBV-HSG2-P-5-N-LE2