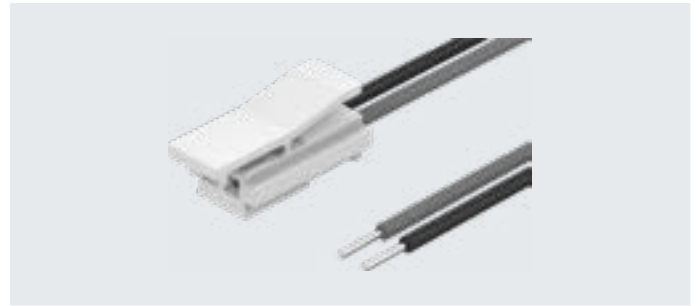


Datasheet

Connecting cable NEBV-HPG2

- Connecting cable for valves VYKB
- Pre-assembled
- Cable length 0.3 m



General technical data	
Max. no. of solenoid coils	1
Note on operation	Operate only with external power reduction
Cable identification	Without inscription label holder
Mounting position	Any

Technical data – Electrical connection 1	
Function	Field device side Switching output
Connection type	Cable with socket
Cable outlet	Straight
Design	Rectangular
Connection technology	Plug pattern HP
Number of pins/wires	2
Assigned pins/wires	2
Type of mounting	Push-pull with locking mechanism against unintentional pulling

Technical data – Electrical connection 2	
Function	Controller side Power supply
Connection type	2x single wires
Connection technology	Open end
Number of pins/wires	2
Assigned pins/wires	2

Technical data – Electrics		
Operating voltage range	[V DC]	0 ... 24
Shielding		No

Technical data – Cable		
Cable diameter	[mm]	0.96
Cable characteristic		For static applications
Bending radius, fixed cable installation	[mm]	≥11

Materials	
Housing	PEEK
Housing colour	Grey
Insulating sheath	PVC
Note on materials	RoHS-compliant
PWIS conformity	VDMA24364 zone III

Datasheet

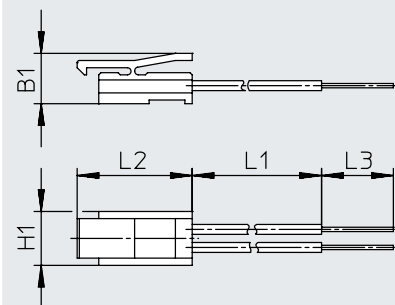
Operating and environmental conditions

Ambient temperature	[°C]	0 ... +50
Storage temperature	[°C]	-20 ... +70
Corrosion resistance class CRC ¹⁾		0
Degree of protection		IP40

- 1) Corrosion resistance class CRC 0 to Festo standard FN 940070
 No corrosion stress. Applies to small, visually unimportant standards-based parts such as threaded pins, circlips and clamping sleeves which are usually only available on the market in a phosphated or burnished version (and possibly oiled) as well as to ball bearings (for components < CRC 3) and plain bearings.

Dimensions

Download CAD data → www.festo.com



	B1	H1	L1	L2	L3
NEBV-HPG2	7	7.5	300	16	10

Ordering data

Electrical connection	Length [m]	Weight [g]	Part no.	Type
Straight socket, 2-pin	0.3	2.1	8122832	NEBV-HPG2-PN-0.3-N-LE2