

## Filter regulators MS-LFR, MS series

**FESTO**



Festo Core Range  
Solves the majority of your automation tasks

With the Festo Core Range, we have selected the most important products and functions from our broad product catalogue, and added the quickest delivery.

Worldwide: Quickest delivery – wherever, whenever  
Simply good: Expected high Festo quality  
Fast: Easy and fast to select

The Core Range offers you the best value for your automation tasks.

Just look  
for the  
star!

## Key features

### Service unit components of the MS series

Solutions for every application

With its large product range, highly effective components and a wide choice of functions, the MS series from Festo offers a complete concept for compressed air preparation. It is suitable for simple standard applications as well as application-specific solutions with very high quality requirements.

Available as individual components, pre-assembled combinations ex-stock, application-specific combinations or complete turnkey solutions. The five sizes in the MS series achieve maximum flow rates with minimum space requirements.

#### CAD models and configurator

Convenient tools for planning and selecting application-specific individual devices and combinations. The product configurator lets you configure customised solutions quickly and transfer the order data without any hassle.

#### Engineering tools

Selection tool for choosing the right combination of service unit components without oversizing, and with the right air purity class:

→ [www.festo.com/engineering/service-unit](http://www.festo.com/engineering/service-unit)

### Freely combinable function modules

Pressure regulators, on/off and soft-start valves with safety function, filters, pressure and flow sensors, dryers, sensors and lubricators can be assembled into a suitable solution for every task. With the modular structure the components can be combined as required. The simple connection system saves time because the entire combination doesn't need to be disassembled when replacing individual modules.

Many of the components are also UL and ATEX certified.



### Integrated sensors

Pressure and flow sensors

### Safety functions

Soft-start/quick exhaust valves  
MS6-SV/MS9-SV

### Saving energy

Service unit combinations MSE6

Intelligent mix of sizes



- Maximum machine availability thanks to controlled processes
- Reliable air preparation and supply for systems
- Integrated or stand-alone
- Easy to connect with M8/M12 plug



- Fast and reliable exhausting of systems up to Performance Level e, certified to EN ISO 13849-1
- Integrated soft-start function



- Fully automatic monitoring and regulation of compressed air supply
- Automatic shut-off of the compressed air in stand-by mode
- Detection and notification of leakages
- Condition monitoring of relevant process data



- Optimum flow rate with a size that is up to 18% smaller
- Excellent energy efficiency
- Cost-optimised combinations – save up to 30%!

Size differences		MS4	MS6	MS9	MS12
Size					
Grid dimension	[mm]	40	62	90	124
Connection sizes		G1/8, G1/4, G3/8	G1/4, G3/8, G1/2, G3/4	G1/2, G3/4, G1, G1 1/4, G1 1/2	G1, G1 1/4, G1 1/2, G2
Standard nominal flow rate q <sub>N</sub> <sup>1)</sup>	[l/min]	1800	6500	20000	22000

1) Using pressure regulator MS-LR as an example

## Key features

### Note

#### Information

The next few pages provide a brief overview of the product range for the MS series service unit components.

You can find detailed information and all the technical data in the documentation for the relevant service unit component.





Accessories such as connecting plates or mounting brackets can be ordered either via the configurator or separately.

#### Design of a service unit combination







The order of the individual service unit components within a combination is relevant for safety and functionality. The service unit components cannot be combined in any order in the flow direction. There are restrictions and rules.

The configurator for the service unit MSB is a reliable and convenient way of arranging individual service unit components and ensures compliance with the applicable rules. As a result, you get a completely assembled combination with UL or ATEX certification, if necessary. When combining a unit from individually configured and ordered service unit components, the following points must be adhered to under all circumstances.







- Regulators MS-LFR/LR/LRP are only permissible in the flow direction with the same or decreasing pressure regulation range
- Filters MS-LFR/LF/LFM/LFX are only permissible in the flow direction with an increasing grade of filtration
- Lubricators MS-LOE are not permitted in the flow direction upstream of a filter MS-LFR/LFM/LF/LFX, water separator MS-LWS or membrane air dryer MS-LDM1
- A micro filter MS-LFM must be installed in the flow direction upstream of an activated carbon filter MS-LFX or membrane air dryer MS-LDM1
- A flow sensor SFAM cannot be installed directly downstream of a regulator MS-LFR/LR; a branching module MS-FRM must be positioned between them
- A soft-start/quick exhaust valve MS-SV must be the last service unit component in the flow direction

Product range for service unit components of the MS series								
Type	Description	Size	Pneumatic connection					
			Push-in connector	Female thread			Connecting plate with thread	
				M	G	NPT	G	NPT
<b>Combinations</b>								
<b>Service unit combinations MSB-FRC</b>								Datasheets → Internet: msb
	Combinations of filter regulator and lubricator	4	–	–	1/8, 1/4	–	–	–
		6	–	–	1/4, 3/8, 1/2	–	–	–
<b>Service unit combinations MSB</b>								
<b>Service unit combinations MSB</b>								Datasheets → Internet: msb
	Certain predefined combinations	4	–	–	1/4	–	–	–
		6	–	–	1/2	–	–	–
	Freely configurable combinations	4	–	–	1/8, 1/4	–	1/8, 1/4, 3/8	1/8, 1/4, 3/8
		6	–	–	1/4, 3/8, 1/2	–	1/4, 3/8, 1/2, 3/4	1/4, 3/8, 1/2, 3/4
		9	–	–	3/4, 1	3/4, 1	1/2, 3/4, 1, 1 1/4, 1 1/2	1/2, 3/4, 1, 1 1/4, 1 1/2
<b>Service unit combinations MSE6</b>								
<b>Service unit combinations MSE6</b>								Datasheets → Internet: mse6
	Combinations with fieldbus connection for measuring pressure, flow rate and consumption	6	–	–	–	–	1/2	–

## Key features

Product range for service unit components of the MS series								
Type	Description	Size	Pneumatic connection					
			Push-in connector	Female thread			Connecting plate with thread	
				M	G	NPT	G	NPT
<b>Individual devices</b>								
<b>Filter regulators MS-LFR</b> <span style="float: right;">Datasheets → Internet: ms2-lfr; ms4-lfr; ms6-lfr; ms9-lfr; ms12-lfr</span>								
	Filter and pressure regulator in a single device, grade of filtration 5 or 40 µm	2	QS-6	M5	–	–	–	–
		4	–	–	1/8, 1/4	–	1/8, 1/4, 3/8	1/8, 1/4, 3/8
		6	–	–	1/4, 3/8, 1/2	–	1/4, 3/8, 1/2, 3/4	1/4, 3/8, 1/2, 3/4
		9	–	–	3/4, 1	3/4, 1	1/2, 3/4, 1, 1 1/4, 1 1/2	1/2, 3/4, 1, 1 1/4, 1 1/2
		12	–	–	–	–	1, 1 1/4, 1 1/2, 2	–
<b>Filter regulators MS-LFR-B</b> <span style="float: right;">Datasheets → Internet: ms4-lfr-b; ms6-lfr-b</span>								
	Filter and pressure regulator in a single device in polymer housing, grade of filtration 5 or 40 µm	4	–	–	1/4	–	–	–
		6	–	–	1/2	–	–	–
<b>Filters MS-LF</b> <span style="float: right;">Datasheets → Internet: ms4-lf; ms6-lf; ms9-lf; ms12-lf</span>								
	Grade of filtration 5 or 40 µm	4	–	–	1/8, 1/4	–	1/8, 1/4, 3/8	1/8, 1/4, 3/8
		6	–	–	1/4, 3/8, 1/2	–	1/4, 3/8, 1/2, 3/4	1/4, 3/8, 1/2, 3/4
		9	–	–	3/4, 1	3/4, 1	1/2, 3/4, 1, 1 1/4, 1 1/2	1/2, 3/4, 1, 1 1/4, 1 1/2
		12	–	–	–	–	1, 1 1/4, 1 1/2, 2	–
<b>Fine and micro filters MS-LFM</b> <span style="float: right;">Datasheets → Internet: ms4-lfm; ms6-lfm; ms9-lfm; ms12-lfm</span>								
	Grade of filtration 0.01 or 1 µm	4	–	–	1/8, 1/4	–	1/8, 1/4, 3/8	1/8, 1/4, 3/8
		6	–	–	1/4, 3/8, 1/2	–	1/4, 3/8, 1/2, 3/4	1/4, 3/8, 1/2, 3/4
		9	–	–	3/4, 1	3/4, 1	1/2, 3/4, 1, 1 1/4, 1 1/2	1/2, 3/4, 1, 1 1/4, 1 1/2
		12	–	–	–	–	1, 1 1/4, 1 1/2, 2	–
<b>Activated carbon filters MS-LFX</b> <span style="float: right;">Datasheets → Internet: ms4-lfx; ms6-lfx; ms9-lfx; ms12-lfx</span>								
	For removing liquid and gaseous oil particles	4	–	–	1/8, 1/4	–	1/8, 1/4, 3/8	1/8, 1/4, 3/8
		6	–	–	1/4, 3/8, 1/2	–	1/4, 3/8, 1/2, 3/4	1/4, 3/8, 1/2, 3/4
		9	–	–	3/4, 1	3/4, 1	1/2, 3/4, 1, 1 1/4, 1 1/2	1/2, 3/4, 1, 1 1/4, 1 1/2
		12	–	–	–	–	1, 1 1/4, 1 1/2, 2	–
<b>Water separators MS-LWS</b> <span style="float: right;">Datasheets → Internet: ms6-lws; ms9-lws; ms12-lws</span>								
	Remove condensate from compressed air, maintenance-free	6	–	–	1/4, 3/8, 1/2	–	1/4, 3/8, 1/2, 3/4	1/4, 3/8, 1/2, 3/4
		9	–	–	3/4, 1	3/4, 1	1/2, 3/4, 1, 1 1/4, 1 1/2	1/2, 3/4, 1, 1 1/4, 1 1/2
		12	–	–	–	–	1, 1 1/4, 1 1/2, 2	–





## Key features

Product range for service unit components of the MS series								
Type	Description	Size	Pneumatic connection					
			Push-in connector	Female thread			Connecting plate with thread	
				M	G	NPT	G	NPT
<b>Individual devices</b>								
<b>Pressure regulators MS-LR</b> <span style="float: right;">Datasheets → Internet: ms2-lr; ms4-lr; ms6-lr; ms9-lr; ms12-lr</span>								
	For setting the required operating pressure, 4 pressure regulation ranges	2	QS-6	M5	–	–	–	–
		4	–	–	1/8, 1/4	–	1/8, 1/4, 3/8	1/8, 1/4, 3/8
		6	–	–	1/4, 3/8, 1/2	–	1/4, 3/8, 1/2, 3/4	1/4, 3/8, 1/2, 3/4
		9	–	–	3/4, 1	3/4, 1	1/2, 3/4, 1, 1 1/4, 1 1/2	1/2, 3/4, 1, 1 1/4, 1 1/2
		12	–	–	–	–	1, 1 1/4, 1 1/2, 2	–
<b>Pressure regulators MS-LR-B</b> <span style="float: right;">Datasheets → Internet: ms4-lr-b; ms6-lr-b</span>								
	For setting the required operating pressure, in polymer housing	4	–	–	1/4	–	–	–
		6	–	–	1/2	–	–	–
<b>Pressure regulators MS-LRB</b> <span style="float: right;">Datasheets → Internet: ms4-lrb; ms6-lrb</span>								
	For configuring a regulator manifold with independent pressure regulation ranges. Pressure output is to the front or rear.	4	–	–	1/4	–	1/8, 1/4, 3/8	–
		6	–	–	1/2	–	1/4, 3/8, 1/2, 3/4	–
<b>Precision pressure regulators MS-LRP</b> <span style="float: right;">Datasheets → Internet: ms6-lrp</span>								
	For precisely setting the required operating pressure, 4 pressure regulation ranges, pressure hysteresis 0.02 bar	6	–	–	1/4, 3/8, 1/2	–	1/4, 3/8, 1/2, 3/4	1/4, 3/8, 1/2, 3/4
<b>Precision pressure regulators MS-LRPB</b> <span style="float: right;">Datasheets → Internet: ms6-lrpb</span>								
	For configuring a regulator manifold with independent pressure regulation ranges. Pressure output is to the front or rear.	6	–	–	1/2	–	1/4, 3/8, 1/2, 3/4	–
<b>Lubricators MS-LOE</b> <span style="float: right;">Datasheets → Internet: ms4-loe; ms6-loe; ms9-loe; ms12-loe</span>								
	Add a precisely adjustable amount of oil to the compressed air. The amount of oil mist is proportional to the compressed air flow rate.	4	–	–	1/8, 1/4	–	1/8, 1/4, 3/8	1/8, 1/4, 3/8
		6	–	–	1/4, 3/8, 1/2	–	1/4, 3/8, 1/2, 3/4	1/4, 3/8, 1/2, 3/4
		9	–	–	3/4, 1	3/4, 1	1/2, 3/4, 1, 1 1/4, 1 1/2	1/2, 3/4, 1, 1 1/4, 1 1/2
		12	–	–	–	–	1, 1 1/4, 1 1/2, 2	–

## Key features

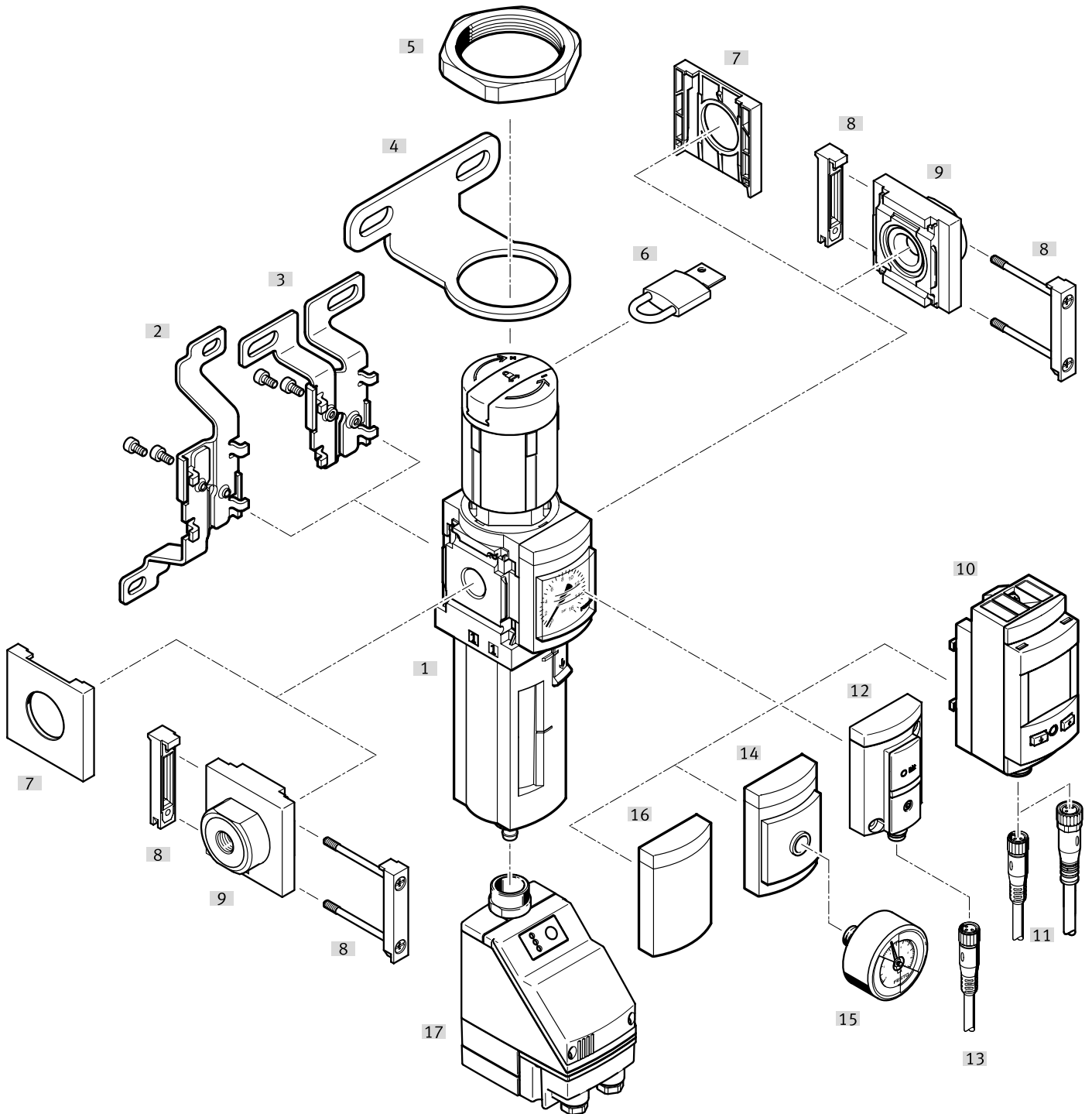
Product range for service unit components of the MS series								
Type	Description	Size	Pneumatic connection			Connecting plate with thread		
			Push-in connector	Female thread		G		NPT
			M	G	NPT	G	NPT	
<b>Individual devices</b>								
<b>On/off valves MS-EM</b>						Datasheets → Internet: ms4-em; ms6-em; ms9-em; ms12-em		
	Manually actuated on/off valve for pressurising and exhausting pneumatic systems.	4	–	–	1/8, 1/4	–	1/8, 1/4, 3/8	1/8, 1/4, 3/8
		6	–	–	1/4, 3/8, 1/2	–	1/4, 3/8, 1/2, 3/4	1/4, 3/8, 1/2, 3/4
		9	–	–	3/4, 1	3/4, 1	1/2, 3/4, 1, 1 1/4, 1 1/2	1/2, 3/4, 1, 1 1/4, 1 1/2
		12	–	–	–	–	1, 1 1/4, 1 1/2, 2	–
<b>On/off valves MS-EE</b>								
<b>On/off valves MS-EE</b>						Datasheets → Internet: ms4-ee; ms6-ee; ms9-ee; ms12-ee		
	Electrically actuated on/off valve for pressurising and exhausting pneumatic systems.	4	–	–	1/8, 1/4	–	1/8, 1/4, 3/8	1/8, 1/4, 3/8
		6	–	–	1/4, 3/8, 1/2	–	1/4, 3/8, 1/2, 3/4	1/4, 3/8, 1/2, 3/4
		9	–	–	3/4, 1	3/4, 1	1/2, 3/4, 1, 1 1/4, 1 1/2	1/2, 3/4, 1, 1 1/4, 1 1/2
		12	–	–	–	–	1, 1 1/4, 1 1/2, 2	–
<b>On/off valves MS-EE-B</b>								
<b>On/off valves MS-EE-B</b>						Datasheets → Internet: ms4-ee-b; ms6-ee-b		
	Electrically actuated on/off valve in polymer housing for pressurising and exhausting pneumatic systems.	4	–	–	1/4	–	–	–
		6	–	–	1/2	–	–	–
<b>Soft-start valves MS-DL</b>								
<b>Soft-start valves MS-DL</b>						Datasheets → Internet: ms4-dl; ms6-dl; ms12-dl		
	Pneumatically actuated soft-start valve for slowly pressurising and exhausting pneumatic systems.	4	–	–	1/8, 1/4	–	1/8, 1/4, 3/8	1/8, 1/4, 3/8
		6	–	–	1/4, 3/8, 1/2	–	1/4, 3/8, 1/2, 3/4	1/4, 3/8, 1/2, 3/4
		12	–	–	–	–	1, 1 1/4, 1 1/2, 2	–
<b>Soft-start valves MS-DE</b>								
<b>Soft-start valves MS-DE</b>						Datasheets → Internet: ms4-de; ms6-de; ms12-de		
	Electrically actuated soft-start valve for slowly pressurising and exhausting pneumatic systems.	4	–	–	1/8, 1/4	–	1/8, 1/4, 3/8	1/8, 1/4, 3/8
		6	–	–	1/4, 3/8, 1/2	–	1/4, 3/8, 1/2, 3/4	1/4, 3/8, 1/2, 3/4
		12	–	–	–	–	1, 1 1/4, 1 1/2, 2	–
<b>On/off valves MS-EDE-B</b>								
<b>On/off valves MS-EDE-B</b>						Datasheets → Internet: ms4-ed-e-b; ms6-ed-e-b		
	Electrically actuated soft-start valve in polymer housing for slowly pressurising and exhausting pneumatic systems.	4	–	–	1/4	–	–	–
		6	–	–	1/2	–	–	–
<b>Soft-start/quick exhaust valves MS-SV</b>								
<b>Soft-start/quick exhaust valves MS-SV</b>						Datasheets → Internet: ms6-sv; ms9-sv		
	For building up pressure gradually and reducing pressure quickly and safely in pneumatic piping systems. Up to category 1, PL c.	6	–	–	1/2	–	1/4, 3/8, 1/2, 3/4	1/4, 3/8, 1/2, 3/4
		9	–	–	3/4, 1	3/4, 1	1/2, 3/4, 1, 1 1/4, 1 1/2	1/2, 3/4, 1, 1 1/4, 1 1/2
	Up to category 3, PL d. Up to category 4, PL e in the case of optional extension.	6	–	–	1/2	–	1/4, 3/8, 1/2, 3/4	1/4, 3/8, 1/2, 3/4
	Up to category 4, PL e.	6	–	–	1/2	–	1/4, 3/8, 1/2, 3/4	–


## Key features

Product range for service unit components of the MS series								
Type	Description	Size	Pneumatic connection				Connecting plate with thread	
			Push-in connector	Female thread			G	NPT
				M	G	NPT		
<b>Individual devices</b>								
<b>Membrane air dryers MS-LDM1</b>						Datasheets → Internet: ms4-ldm; ms6-ldm		
	Wear-free membrane dryer with internal air consumption	4	–	–	1/8, 1/4	–	1/8, 1/4, 3/8	1/8, 1/4, 3/8
		6	–	–	1/4, 3/8, 1/2	–	1/4, 3/8, 1/2, 3/4	1/4, 3/8, 1/2, 3/4
<b>Branching modules MS-FRM</b>								
<b>Compressed air distributors with 4 connections</b>						Datasheets → Internet: ms4-frm; ms6-frm; ms9-frm; ms12-frm		
		4	–	–	1/8, 1/4	–	1/8, 1/4, 3/8	–
		6	–	–	1/4, 3/8, 1/2	–	1/4, 3/8, 1/2, 3/4	–
		9	–	–	3/4, 1	3/4, 1	1/2, 3/4, 1, 1 1/4, 1 1/2	1/2, 3/4, 1, 1 1/4, 1 1/2
		12	–	–	–	–	1, 1 1/4, 1 1/2, 2	–
<b>Distributor blocks MS-FRM-FRZ</b>								
<b>Compressed air distributors with 4 connections and half the grid width</b>						Datasheets → Internet: ms4-frm-frz; ms6-frm-frz		
		4	–	–	–	–	–	–
		6	–	–	–	–	–	–
<b>Flow sensors SFAM</b>								
<b>For absolute flow rate information and cumulative air consumption measurement</b>						Datasheets → Internet: sfam		
		6	–	–	–	–	1/2	1/2
		9	–	–	–	–	1, 1 1/2	1, 1 1/2

## Peripherals overview

### Filter regulator MS4/MS6-LFR



 **Note**

Additional accessories:

- Module connectors for combination with size MS4/MS6 or size MS9  
→ Internet: amv, rmv, armv
- Adapters for mounting on profiles  
→ Internet: ipm-80, ipm-40-80, ipm-80-80



## Peripherals overview

Mounting attachments and accessories		Individual device		Combination		→ Page/ Internet
		Without connecting plate	With connecting plate	Without connecting plate	With connecting plate	
[1]	Filter regulator MS4/MS6-LFR					10
[2]	Mounting bracket MS4/6-WB	■	■	–	–	ms4-wb, ms6-wb
[3]	Mounting bracket MS4-WBM	■	■	–	–	ms4-wbm
[4]	Mounting bracket MS4/6-WR	■	■	–	–	ms4-wr, ms6-wr
[5]	Hex nut MS4/6-WRS	■	■	■	■	ms4-wrs, ms6-wrs
[6]	Padlock LRVS-D	■	■	■	■	54
[7]	Cover cap MS4/6-END	■	–	■	–	ms4-end, ms6-end
[8]	Module connector MS4/6-MV	–	■	■	■	ms4-mv, ms6-mv
[9]	Connecting plate SET MS4/6-AG...	–	■	–	■	ms4-ag, ms6-ag
	Connecting plate SET MS4/6-AQ...	–	■	–	■	ms4-aq, ms6-aq
[10]	Pressure sensor with LCD display AD11/AD12	■	■	■	■	28
[11]	Connecting cable NEBU-M8...-LE4/NEBU-M12...-LE4	■	■	■	■	54
[12]	Pressure sensor without display AD7 ... AD10	■	■	■	■	28
[13]	Connecting cable NEBU-M8...-LE3	■	■	■	■	54
[14]	Adapter for EN pressure gauge 1/8, 1/4 A8/A4	■	■	■	■	28
[15]	Pressure gauge MA	■	■	■	■	54
[16]	Cover plate VS	■	■	■	■	28
[17]	Electrically actuated condensate drain fully automatic E2, E3, E4	■	■	■	■	28
–	Mounting bracket MS4/6-WP/WPB/WPE/WPM	–	■	■	■	ms4-wp, ms6-wp

## Type codes

001	Series
MS	MS series

002	Size
4	Grid dimension 40 mm

003	Function
LFR	Filter regulator

004	Pneumatic connection
1/8	Female thread G1/8
1/4	Female thread G1/4
AGA	Sub-base G1/8
AGB	Sub-base G1/4
AGC	Sub-base G3/8
AQK	Sub-base 1/8 NPT
AQN	Sub-base 1/4 NPT
AQP	Sub-base 3/8 NPT

005	Pressure regulation range
D5	0.3 ... 4 bar
D6	0.3 ... 7 bar
D7	0.5 ... 12 bar

006	Filter design
C	5 µm
E	40 µm

007	Bowl
R	Plastic bowl with plastic bowl guard
U	Metal bowl

008	Condensate drain
M	Manually
H	Semi-automatic
V	Automatic

009	Pressure gauge alternatives
	None
A4	Adapter for EN pressure gauge 1/4, without pressure gauge
A8	Adapter for EN pressure gauge 1/8, without pressure gauge
AD7	Pressure sensor with switching display, M8 plug, threshold value comparator, PNP, N/O
AD8	Pressure sensor with switching display, M8 plug, threshold value comparator, PNP, N/C
AD9	Pressure sensor with switching display, M8 plug, window comparator, PNP, N/O
AD10	Pressure sensor with operational status indicator, M8 plug, window comparator, PNP, N/C
AD11	Pressure sensor with LCD display, M12 plug, 4-pin, IO-Link®, PNP, NPN, 0...10 V, 1...5 V, 4...20 mA
AD12	Pressure sensor with LCD display, M8 plug, 4-pin, IO-Link®, PNP, NPN, 0...10 V, 1...5 V, 4...20 mA
RG	Integrated pressure gauge, red/green scale
VS	Cover plate

010	Secondary exhausting
	With secondary exhausting
OS	Without secondary exhaust

011	Rotary knob alternative
	None
LD	Long rotary knob

012	Lockability
	None
AS	Can be locked using accessories
E11	With integrated lock

013	Type of mounting
	Without mounting bracket
WR	Mounting bracket with knurled nut on regulator knob
WP	Mounting bracket basic design
WPM	Mounting bracket for hooking in service unit components
WB	Mounting centrally at rear (wall mounting top and bottom), connecting plates not required
WBM	Mounting centrally at rear (wall mounting top), connecting plates not required

014	EU certification
	None
EX4	II 2GD

015	UL certification
	None
UL1	cULus ordinary location for Canada and USA

016	Flow direction
	Flow direction from left to right
Z	Flow direction from right to left

## Type codes

<b>001</b>	<b>Series</b>	
<b>MS</b>	MS series	
<b>002</b>	<b>Size</b>	
<b>6</b>	Grid dimension 62 mm	
<b>003</b>	<b>Function</b>	
<b>LFR</b>	Filter regulator	
<b>004</b>	<b>Pneumatic connection</b>	
<b>1/4</b>	Female thread G1/4	
<b>3/8</b>	Female thread G3/8	
<b>1/2</b>	Female thread G1/2	
<b>AGB</b>	Sub-base G1/4	
<b>AGC</b>	Sub-base G3/8	
<b>AGD</b>	Sub-base G1/2	
<b>AGE</b>	Sub-base G3/4	
<b>AQN</b>	Sub-base 1/4 NPT	
<b>AQP</b>	Sub-base 3/8 NPT	
<b>AQR</b>	Sub-base 1/2 NPT	
<b>AQS</b>	Sub-base 3/4 NPT	
<b>005</b>	<b>Pressure regulation range</b>	
<b>D5</b>	0.3 ... 4 bar	
<b>D6</b>	0.3 ... 7 bar	
<b>D7</b>	0.5 ... 12 bar	
<b>D8</b>	0.5 ... 16 bar	
<b>006</b>	<b>Filter design</b>	
<b>C</b>	5 µm	
<b>E</b>	40 µm	
<b>007</b>	<b>Bowl</b>	
<b>R</b>	Plastic bowl with plastic bowl guard	
<b>U</b>	Metal bowl	
<b>008</b>	<b>Condensate drain</b>	
<b>M</b>	Manually	
<b>H</b>	Semi-automatic	
<b>V</b>	Automatic	
<b>E2</b>	External fully automatic condensate drain, electric, 110 V AC, terminals	
<b>E3</b>	External fully automatic condensate drain, electric, 230 V AC, terminals	
<b>E4</b>	External fully automatic condensate drain, electric, 24 V DC, terminals	

<b>009</b>	<b>Pressure gauge alternatives</b>	
	None	
<b>A4</b>	Adapter for EN pressure gauge 1/4, without pressure gauge	
<b>A8</b>	Adapter for EN pressure gauge 1/8, without pressure gauge	
<b>AD7</b>	Pressure sensor with switching display, M8 plug, threshold value comparator, PNP, N/O	
<b>AD8</b>	Pressure sensor with switching display, M8 plug, threshold value comparator, PNP, N/C	
<b>AD9</b>	Pressure sensor with switching display, M8 plug, window comparator, PNP, N/O	
<b>AD10</b>	Pressure sensor with operational status indicator, M8 plug, window comparator, PNP, N/C	
<b>AD11</b>	Pressure sensor with LCD display, M12 plug, 4-pin, IO-Link®, PNP, NPN, 0...10 V, 1...5 V, 4...20 mA	
<b>AD12</b>	Pressure sensor with LCD display, M8 plug, 4-pin, IO-Link®, PNP, NPN, 0...10 V, 1...5 V, 4...20 mA	
<b>RG</b>	Integrated pressure gauge, red/green scale	
<b>VS</b>	Cover plate	

<b>010</b>	<b>Alternative pressure gauge scale</b>	
	MS pressure gauge	
<b>PSI</b>	psi	
<b>MPA</b>	MPa	

<b>011</b>	<b>Secondary exhausting</b>	
	With secondary exhausting	
<b>OS</b>	Without secondary exhaust	

<b>012</b>	<b>Rotary knob alternative</b>	
	None	
<b>LD</b>	Long rotary knob	

<b>013</b>	<b>Lockability</b>	
	None	
<b>AS</b>	Can be locked using accessories	
<b>E11</b>	With integrated lock	

<b>014</b>	<b>Type of mounting</b>	
	Without mounting bracket	
<b>WR</b>	Mounting bracket with knurled nut on regulator knob	
<b>WP</b>	Mounting bracket basic design	
<b>WPM</b>	Mounting bracket for hooking in service unit components	
<b>WB</b>	Mounting centrally at rear (wall mounting top and bottom), connecting plates not required	

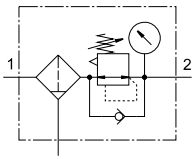
<b>015</b>	<b>EU certification</b>	
	None	
<b>EX4</b>	II 2GD	

<b>016</b>	<b>UL certification</b>	
	None	
<b>UL1</b>	cULus ordinary location for Canada and USA	

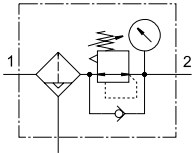
<b>017</b>	<b>Flow direction</b>	
	Flow direction from left to right	
<b>Z</b>	Flow direction from right to left	

## Datasheet





Condensate drain, manual rotary, with pressure gauge



Semi- or fully automatic condensate drain, with pressure gauge



In this device, the filter and pressure regulator are combined in one unit. The sintered filter with water separator removes contamination, pipe scale, rust and condensate from the compressed air.

-  Flow rate  
850 ... 7200 l/min
-  Temperature range  
-10 ... +60 °C
-  Operating pressure  
0.8 ... 20 bar
-  [www.festo.com](http://www.festo.com)



- Good regulation characteristics with minimal hysteresis and primary pressure compensation
- Good particle and condensate separation
- Available with or without secondary exhausting
- High flow rate
- Directly actuated diaphragm control valve
- Four pressure regulation ranges: 0.3 ... 4 bar, 0.3 ... 7 bar, 0.5 ... 12 bar and 0.5 ... 16 bar
- Actuator lock to protect the set values from being adjusted
- Return flow option for exhausting from output 2 to output 1 already integrated
- Two pressure gauge connections for different installation options
- Optional pressure sensor
- Optional device variant EX4 for use in potentially explosive areas in zones 1, 2, 21 and 22
- Choice of 5 µm or 40 µm filter inserts
- New filter cartridges → 53

General technical data		MS4	MS6
Size		MS4	MS6
Pneumatic connection 1, 2			
Female thread		G1/8 or G1/4	G1/4, G3/8 or G1/2
Connecting plate	[AG...]	G1/8, G1/4 or G3/8	G1/4, G3/8, G1/2 or G3/4
	[AQ...]	1/8 NPT, 1/4 NPT or 3/8 NPT	1/4 NPT, 3/8 NPT, 1/2 NPT or 3/4 NPT
Design		Filter regulator with/without pressure indication	
Regulator function		Output pressure constant, with return flow, with/without secondary exhausting	
Type of mounting		Via accessories	
		In-line installation	
		Front panel mounting	
Mounting position		Vertical ±5°	
Grade of filtration [µm]		5	
		40	
Air purity class at the output		Compressed air to ISO 8573-1:2010 [6:4:4] (grade of filtration 5 µm)	
		Compressed air to ISO 8573-1:2010 [7:4:4] (grade of filtration 40 µm)	
Bowl guard		Plastic bowl guard	
		Integrated as metal bowl	
Condensate drain		Manual	
		Semi-automatic	
		Fully automatic	
			Fully automatic, electrically actuated
Actuator lock		Rotary knob with latch, can be locked using accessories	
		Rotary knob with integrated lock	

† Note: This product conforms to ISO 1179-1 and ISO 228-1.

## Datasheet

General technical data				
Size	MS4		MS6	
Pressure regulation range	[D5]	[bar]	0.3 ... 4	
	[D6]	[bar]	0.3 ... 7	
	[D7]	[bar]	0.5 ... 12 (0.5 ... 10 with pressure sensor AD... or with UL certification)	
	[D8]	[bar]	–	0.5 ... 16 (0.5 ... 10 with UL certification)
Max. pressure hysteresis	[bar]	0.25		
Pressure indication	Via pressure sensor for indicating the output pressure and electrical output via LCD display			
	Via pressure sensor for indicating the output pressure and electrical output			
	Via pressure gauge for displaying the output pressure			
	Via pressure gauge with red/green scale for indicating the output pressure			
	Prepared for G1/8		–	
Prepared for G1/4				
Max. condensate volume	[ml]	19 (with plastic bowl guard)	38	
		25 (with metal bowl)		

Standard nominal flow rate $q_{N^{1}}$ [l/min]					
Size	MS4			MS6	
Pneumatic connection	G1/8	G1/4	G1/4	G3/8	G1/2
<b>[D5] Pressure regulation range 0.3 ... 4 bar</b>					
Grade of filtration	5 $\mu\text{m}$	900 <sup>2)</sup>	1800 <sup>2)</sup>	2000 <sup>2)</sup>	6900 <sup>2)</sup>
	40 $\mu\text{m}$	1100 <sup>2)</sup>	1900 <sup>2)</sup>	2200 <sup>2)</sup>	7200 <sup>2)</sup>
<b>[D6] Pressure regulation range 0.3 ... 7 bar</b>					
Grade of filtration	5 $\mu\text{m}$	900	1500	2700	5600
	40 $\mu\text{m}$	1000	1700	2800	6200
<b>[D7] Pressure regulation range 0.5 ... 12 bar</b>					
Grade of filtration	5 $\mu\text{m}$	850	1200	2200	4000
	40 $\mu\text{m}$	900	1500	2500	4500
<b>[D8] Pressure regulation range 0.5 ... 16 bar</b>					
Grade of filtration	5 $\mu\text{m}$	–	–	2000	3800
	40 $\mu\text{m}$	–	–	2300	4000

1) Measured at  $p_1 = 10$  bar and  $p_2 = 6$  bar,  $\Delta p = 1$  bar2) Measured at  $p_1 = 10$  bar and  $p_2 = 3$  bar,  $\Delta p = 1$  bar

† 125 l/min must be available for the fully automatic condensate drain to close correctly.

## Datasheet

Operating and environmental conditions							
Condensate drain	Manual		Semi-automatic		Fully automatic		Fully automatic, electrically actuated
Size	MS4	MS6	MS4	MS6	MS4	MS6	MS6
Operating pressure [bar]	0.8 ... 14 (0.8 ... 10) <sup>1)</sup>	0.8 ... 20 (0.8 ... 10) <sup>1)</sup>	1.5 ... 12 (1.5 ... 10) <sup>1)</sup>	1.5 ... 12 (1.5 ... 10) <sup>1)</sup>	2 ... 12 (2 ... 10) <sup>1)</sup>	2 ... 12 (2 ... 10) <sup>1)</sup>	0.8 ... 16 (0.8 ... 10) <sup>1)</sup>
Operating medium	Compressed air to ISO 8573-1:2010 [-:4:-]		Compressed air to ISO 8573-1:2010 [-:4:-]		Compressed air to ISO 8573-1:2010 [7:4:-]		Compressed air to ISO 8573-1:2010 [-:4:-]
	Inert gases						
Ambient temperature [°C]	-10 ... +60 (0 ... +50) <sup>2)</sup>		-10 ... +60 (+5 ... +50) <sup>2)</sup>		-10 ... +60 (+5 ... +50) <sup>2)</sup>		+1 ... +60 (+1 ... +50) <sup>2)</sup>
Temperature of medium [°C]	-10 ... +60 (0 ... +50) <sup>2)</sup>		-10 ... +60 (+5 ... +50) <sup>2)</sup>		-10 ... +60 (+5 ... +50) <sup>2)</sup>		+1 ... +60 (+1 ... +50) <sup>2)</sup>
Storage temperature [°C]	-10 ... +60		-10 ... +60		-10 ... +60		+1 ... +60
Corrosion resistance class CRC <sup>3)</sup>	2						
Food-safe <sup>4)</sup>	See supplementary material information						-
UL certification <sup>4)</sup>	c UL us - Recognized (OL)						

1) Value in brackets applies to MS4/MS6-LFR with UL certification.

2) Value in brackets applies to MS4/MS6-LFR with pressure sensor

 3) More information [www.festo.com/x/topic/crc](http://www.festo.com/x/topic/crc)

 4) More information: [www.festo.com/catalogue/ms-lfr](http://www.festo.com/catalogue/ms-lfr) → Support/Downloads.

ATEX	
EU certification	[EX4]
ATEX category for gas	II 2G
Type of (ignition) protection for gas	Ex h IIC T6 Gb X
ATEX category for dust	II 2D
Type of (ignition) protection for dust	Ex h IIIC T60°C Db X
Explosion ambient temperature	-10 °C ≤ Ta ≤ +60 °C
Explosion protection certification outside the EU	EPL Db (GB) EPL Gb (GB)
CE marking (see declaration of conformity) <sup>1)</sup>	To EU Explosion Protection Directive (ATEX)
UKCA marking (see declaration of conformity) <sup>1)</sup>	To UK regulations for explosions

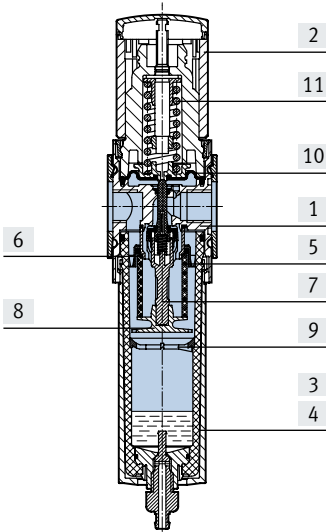
 1) More information: [www.festo.com/catalogue/ms-lfr](http://www.festo.com/catalogue/ms-lfr) → Support/Downloads.

Weight [g]				
Size	MS4		MS6	
	Without integrated lock	With integrated lock	Without integrated lock	With integrated lock
Rotary knob				
Filter regulator with plastic bowl guard	275	400	875	1145
Filter regulator with metal bowl	475	600	1087	1627
Filter regulator with metal bowl and electrically actuated condensate drain, fully automatic	-	-	1800	2070

Datasheet

Materials

Sectional view



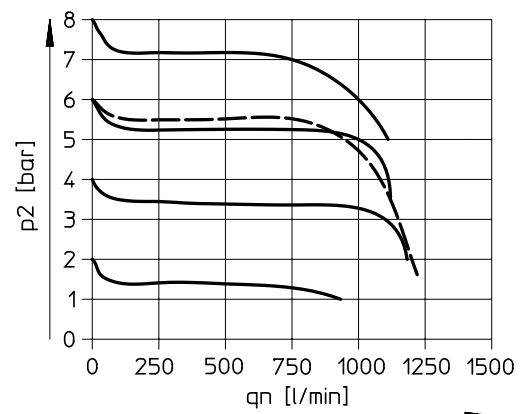
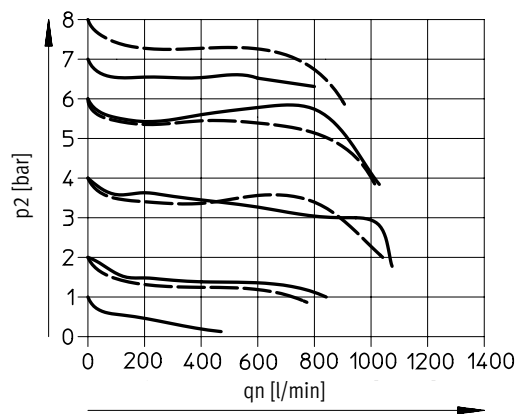
Filter regulator		
[1]	Housing	Die-cast aluminium
[2]	Rotary knob	PA, POM
	Rotary knob with integrated lock	Aluminium
[3]	Plastic bowl guard	PC
[4]	Metal bowl	Wrought aluminium alloy, die-cast aluminium
	Inspection window	PA
[5]	Filter element	PE
[6]	Spin disc	POM
[7]	Filter support	POM
[8]	Separating disc	POM
[9]	Stabilising disc	POM
[10]	Diaphragm	NBR
[11]	Spring	Steel
-	Seals	NBR
Note on materials		RoHS-compliant
LABS (PWIS) conformity		VDMA24364-B1/B2-L

Standard flow rate  $q_n$  as a function of output pressure  $p_2$  ( $p_1 = 10$  bar)

Grade of filtration 5  $\mu\text{m}$

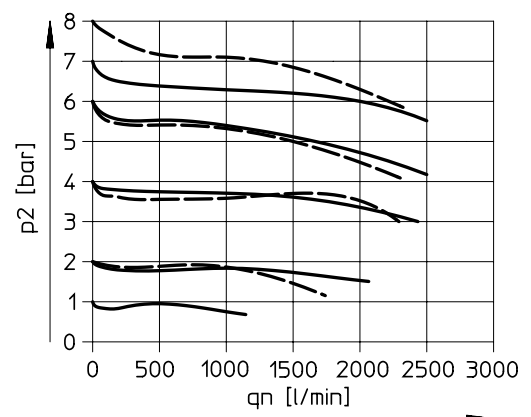
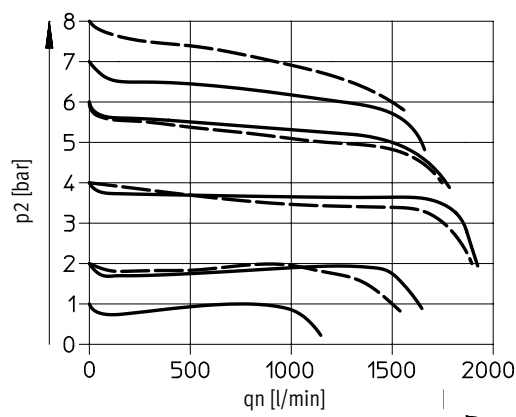
Grade of filtration 40  $\mu\text{m}$

MS4-LFR-1/8



— D6: 0.3 ... 7 bar  
 - - - D7: 0.5 ... 12 bar

MS4-LFR-1/4



— D6: 0.3 ... 7 bar  
 - - - D7: 0.5 ... 12 bar

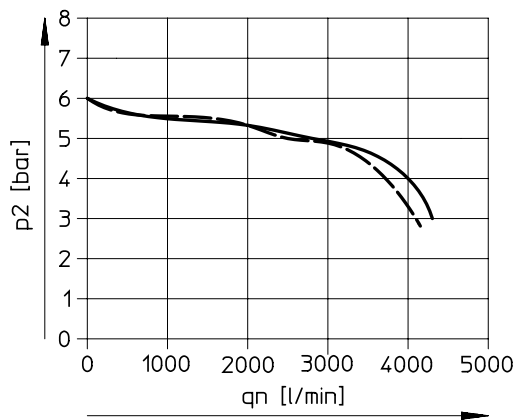
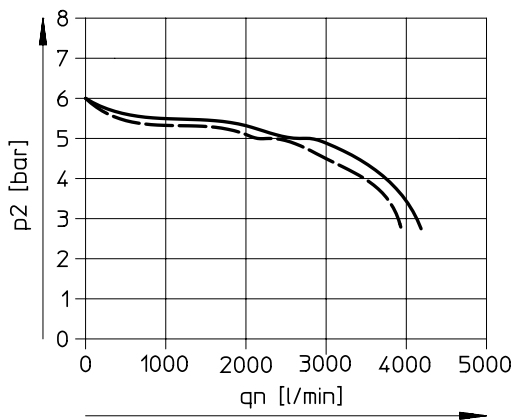
Datasheet

Standard flow rate  $q_n$  as a function of output pressure  $p_2$  ( $p_1 = 10$  bar)

Grade of filtration 5  $\mu\text{m}$

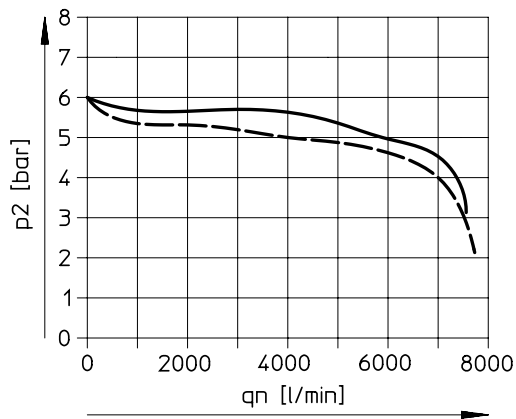
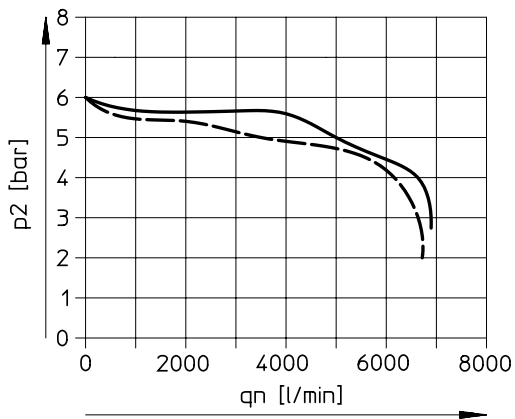
Grade of filtration 40  $\mu\text{m}$

MS6-LFR-1/4



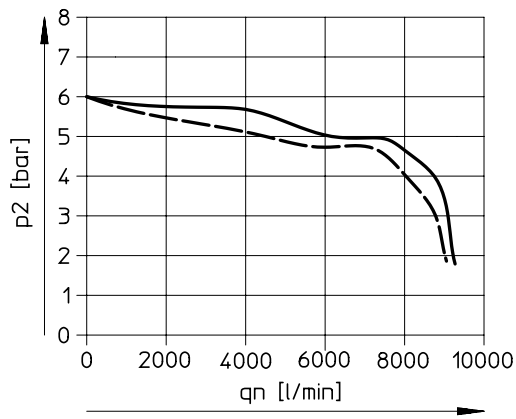
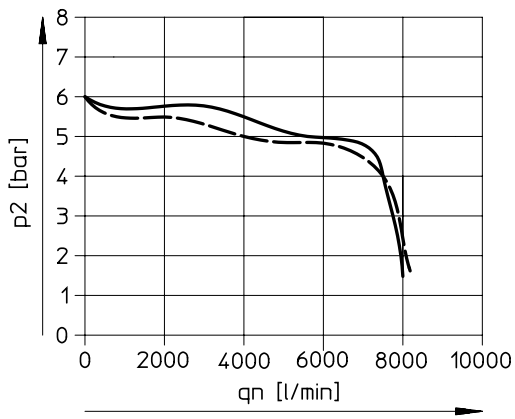
— D6: 0.3 ... 7 bar  
 - - - D7: 0.5 ... 12 bar

MS6-LFR-3/8



— D6: 0.3 ... 7 bar  
 - - - D7: 0.5 ... 12 bar

MS6-LFR-1/2



— D6: 0.3 ... 7 bar  
 - - - D7: 0.5 ... 12 bar



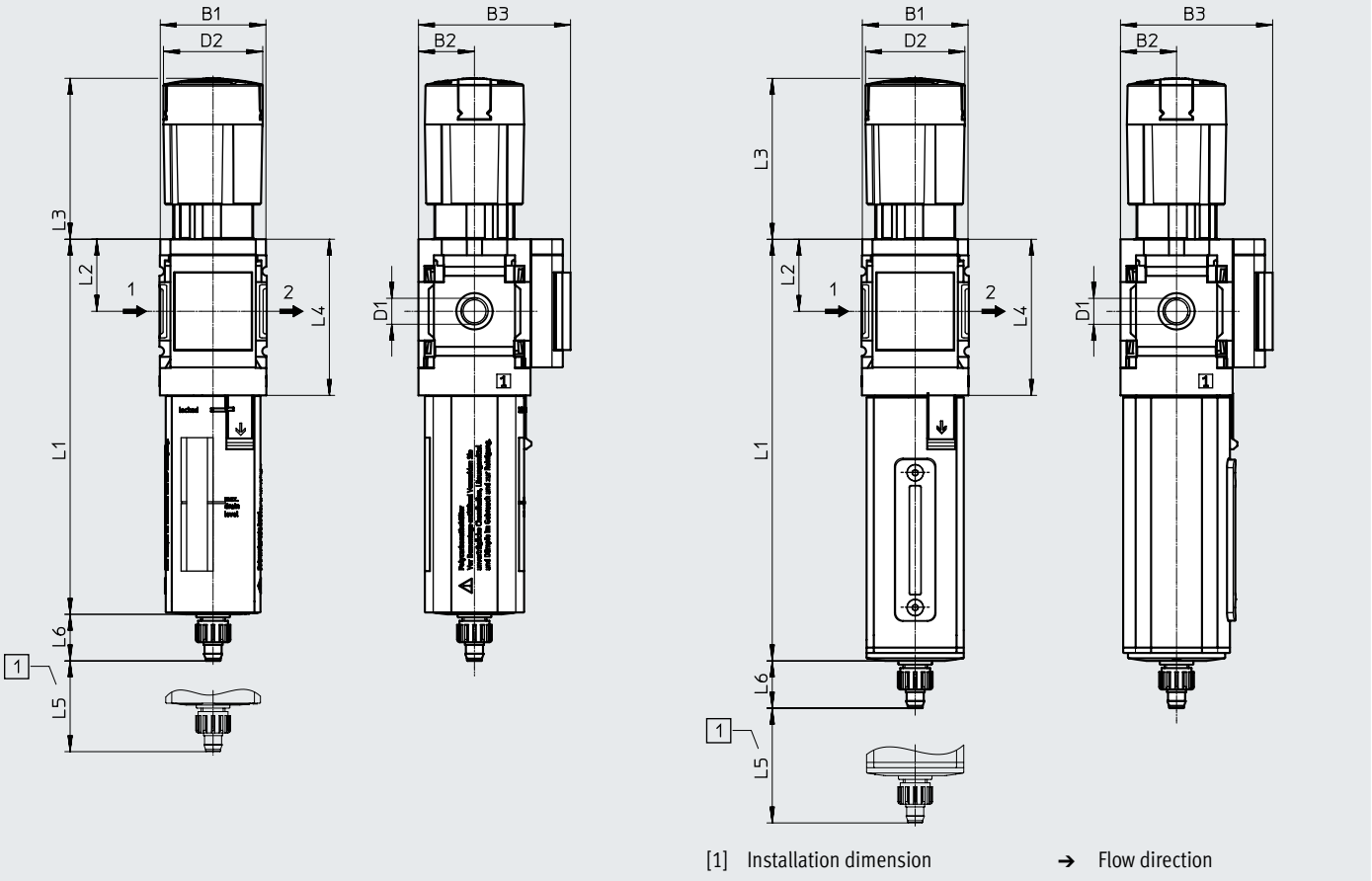
Datasheet

Dimensions – Basic version MS4-LFR

Download CAD data → [www.festo.com](http://www.festo.com)

- [ ] Integrated MS pressure gauge with standard scale
- [M] Condensate drain, manual rotary
- [AS] Rotary knob with latch, can be locked using accessories
- [R] With plastic bowl guard

- [U] With metal bowl



Type	B1	B2	B3	D1	D2	L1		L2	L3	L4	L5	L6
						Plastic bowl guard	Metal bowl					
MS4-LFR-1/8	40	21	57	G1/8	37.2	140.6	158	27	60.2	58.5	≥25	17.7
MS4-LFR-1/4				G1/4								

† Note: This product conforms to ISO 1179-1 and ISO 228-1.

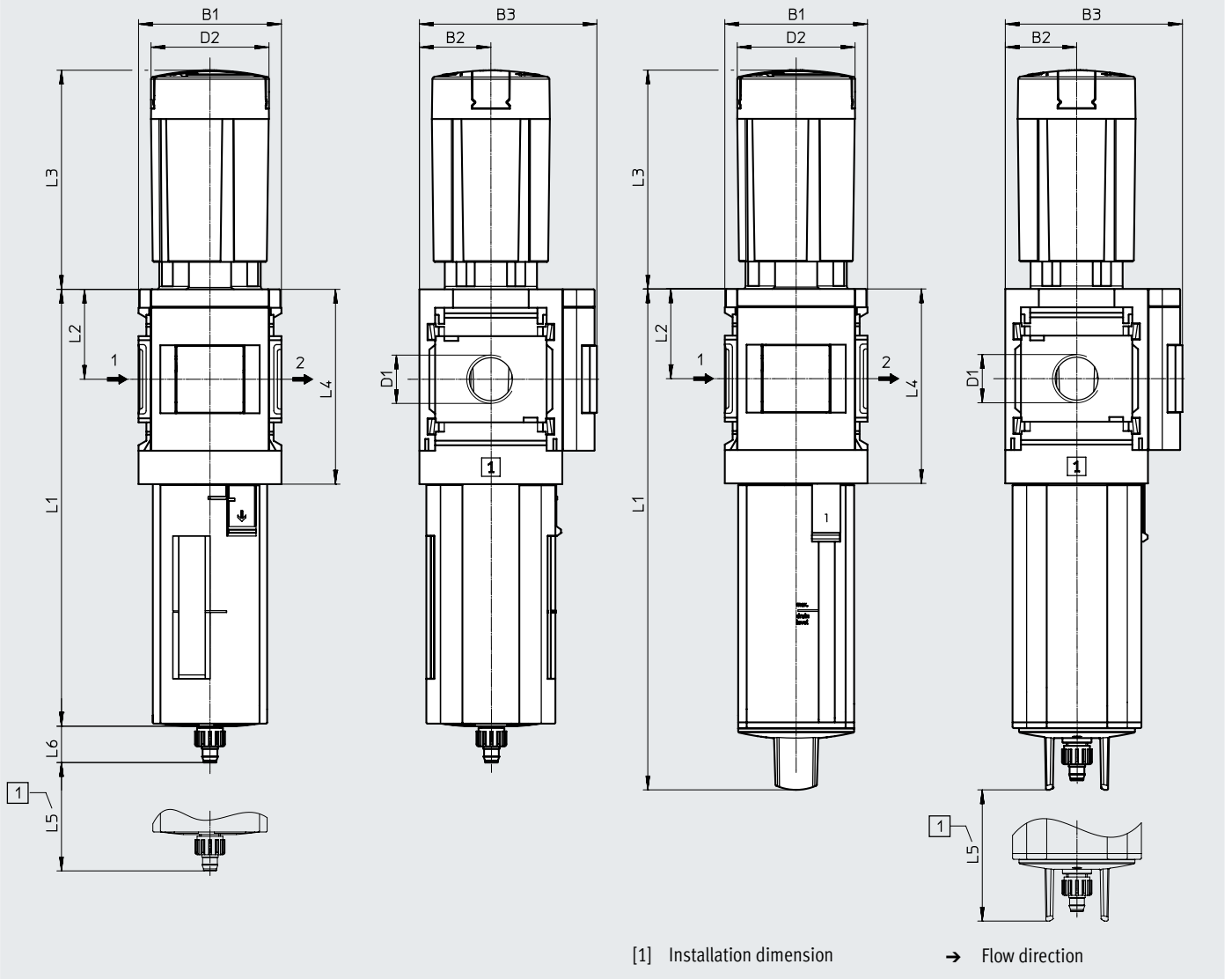
Datasheet

Dimensions – Basic version MS6-LFR

Download CAD data → [www.festo.com](http://www.festo.com)

- [ ] Integrated MS pressure gauge with standard scale
- [M] Condensate drain, manual rotary
- [AS] Rotary knob with latch, can be locked using accessories
- [R] With plastic bowl guard

[U] With metal bowl



Type	B1	B2	B3	D1	D2	L1		L2	L3	L4	L5	L6
						Plastic bowl guard	Metal bowl					
MS6-LFR-1/4	62	31	77	G1/4	51.2	190	218	39	95.1	85	68	15.8
MS6-LFR-3/8				G3/8								
MS6-LFR-1/2				G1/2								

† Note: This product conforms to ISO 1179-1 and ISO 228-1.

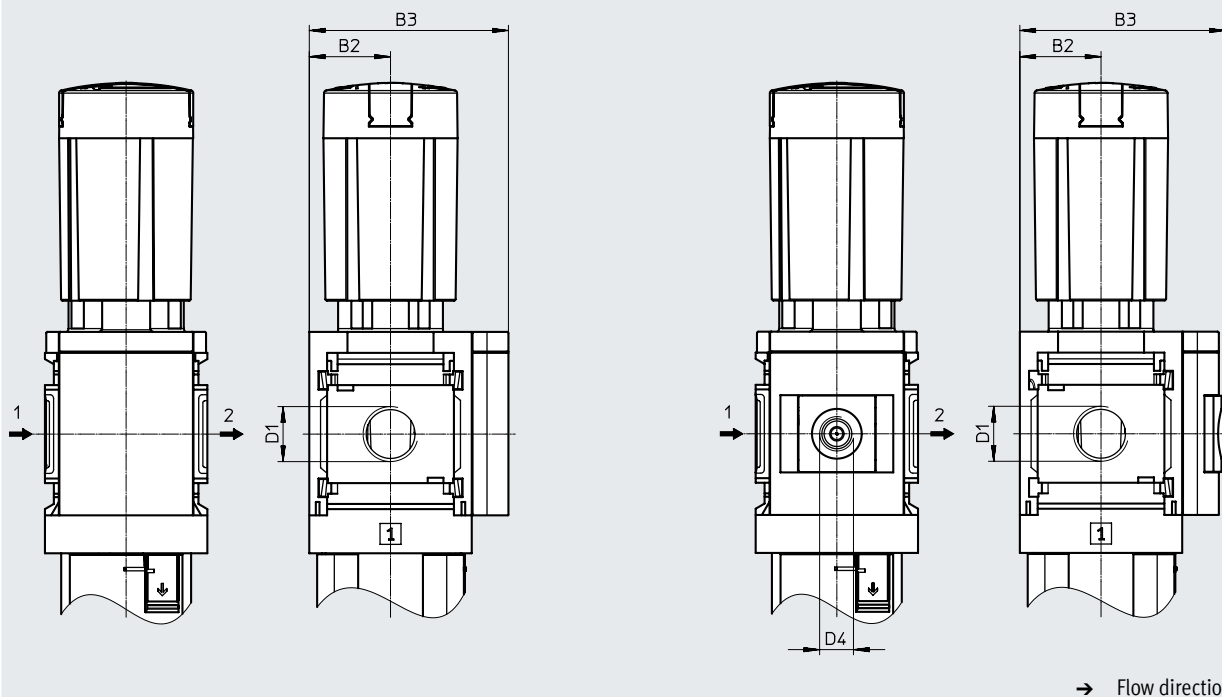
Datasheet

Dimensions – Pressure gauge alternatives

Download CAD data → [www.festo.com](http://www.festo.com)

[VS] Cover plate

- [A8] Adapter for EN pressure gauge 1/8, without pressure gauge
- [A4] Adapter for EN pressure gauge 1/4, without pressure gauge



Type	B2	B3	D1	D4
MS4-LFR-1/8-...-VS	21	54	G1/8	-
MS4-LFR-1/4-...-VS			G1/4	
MS4-LFR-1/8-...-A8	21	58.5	G1/8	G1/8
MS4-LFR-1/4-...-A8			G1/4	
MS4-LFR-1/8-...-A4	21	58.5	G1/8	G1/4
MS4-LFR-1/4-...-A4			G1/4	
MS6-LFR-1/4-...-VS	31	76	G1/4	-
MS6-LFR-3/8-...-VS			G3/8	
MS6-LFR-1/2-...-VS			G1/2	
MS6-LFR-1/4-...-A4	31	78.5	G1/4	G1/4
MS6-LFR-3/8-...-A4			G3/8	
MS6-LFR-1/2-...-A4			G1/2	

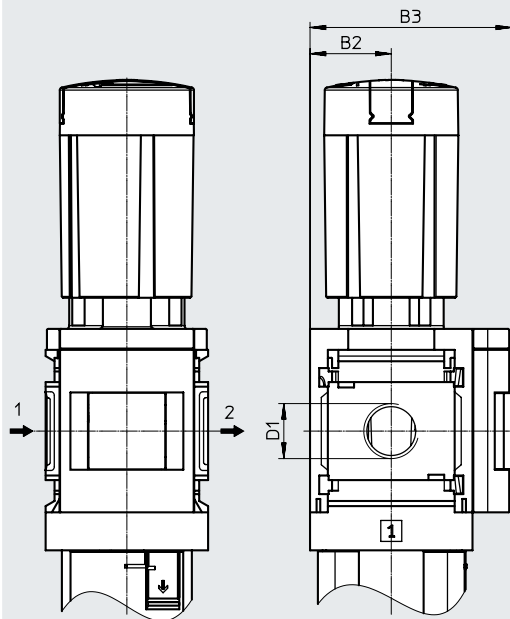
‡ Note: This product conforms to ISO 1179-1 and ISO 228-1.

## Datasheet

### Dimensions – Pressure gauge alternatives

Download CAD data → [www.festo.com](http://www.festo.com)

[RG] Integrated MS pressure gauge with red/green scale



→ Flow direction

Type	B2	B3	D1
MS4-LFR-1/8-...-RG	21	58.5	G1/8
MS4-LFR-1/4-...-RG			G1/4
MS6-LFR-1/4-...-RG	31	78.5	G1/4
MS6-LFR-3/8-...-RG			G3/8
MS6-LFR-1/2-...-RG			G1/2

† Note: This product conforms to ISO 1179-1 and ISO 228-1.

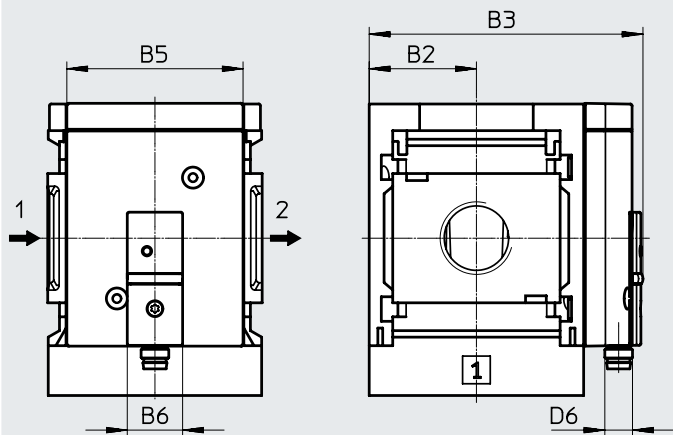
Datasheet

**Dimensions – Pressure gauge alternatives**

Download CAD data → [www.festo.com](http://www.festo.com)

[AD7 ... AD10] Pressure sensor without LCD display (switching status indicator only)

Datasheets → Internet: sde5



Variant AD7:  
SDE5-D10-O-...-P-M8 with 3-pin M8x1 plug, threshold value comparator, 1 switching output PNP, N/O contact

Variant AD9:  
SDE5-D10-O3-...-P-M8 with 3-pin M8x1 plug, window comparator, 1 switching output PNP, N/O contact

Variant AD8:  
SDE5-D10-C-...-P-M8 with 3-pin M8x1 plug, threshold value comparator, 1 switching output PNP, N/C contact

Variant AD10:  
SDE5-D10-C3-...-P-M8 with 3-pin M8x1 plug, window comparator, 1 switching output PNP, N/C contact

→ Flow direction

Type	B2	B3	B5	B6	D6
MS4-LFR-...-AD7/AD8/AD9/AD10	21	59.1	32	16	M8x1
MS6-LFR-...-AD7/AD8/AD9/AD10	31	79.1	51	16	M8x1

† Note: This product conforms to ISO 1179-1 and ISO 228-1.

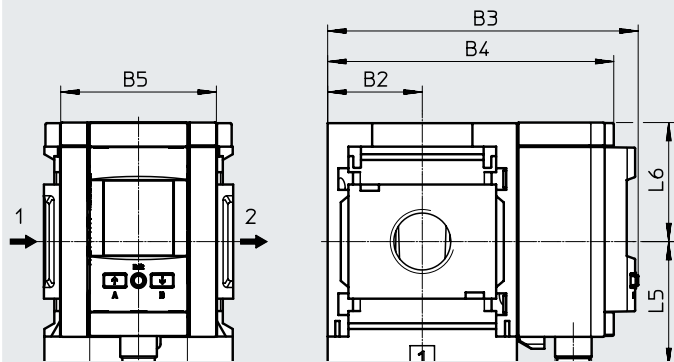
Datasheet

**Dimensions – Pressure gauge alternatives**

Download CAD data → [www.festo.com](http://www.festo.com)

[AD11/AD12] Pressure sensor with LCD display

Datasheets → Internet: spau



**Variant AD11:**

SPAU-P10R-MS-L-PNLK-M12 with M12 plug, 4-pin, IO-Link®, PNP, NPN, 0 ... 10 V, 1 ... 5 V, 4 ... 20 mA

**Variant AD12:**

SPAU-P10R-MS-L-PNLK-M8 with M8 plug, 4-pin, IO-Link®, PNP, NPN, 0 ... 10 V, 1 ... 5 V, 4 ... 20 mA

→ Flow direction

Type	B2	B3	B4	B5	B6	D6	L5	L6
MS4-LFR-...-AD11	21	81.2	73.3	32	32	M12x1	41.2	39
MS4-LFR-...-AD12	21	81.2	73.3	32	32	M8x1	37.9	39
MS6-LFR-...-AD11	31	101.8	93.7	51	32	M12x1	41.2	39
MS6-LFR-...-AD12	31	101.8	93.7	51	32	M8x1	37.9	39

† Note: This product conforms to ISO 1179-1 and ISO 228-1.

Datasheet

Dimensions – Rotary knob

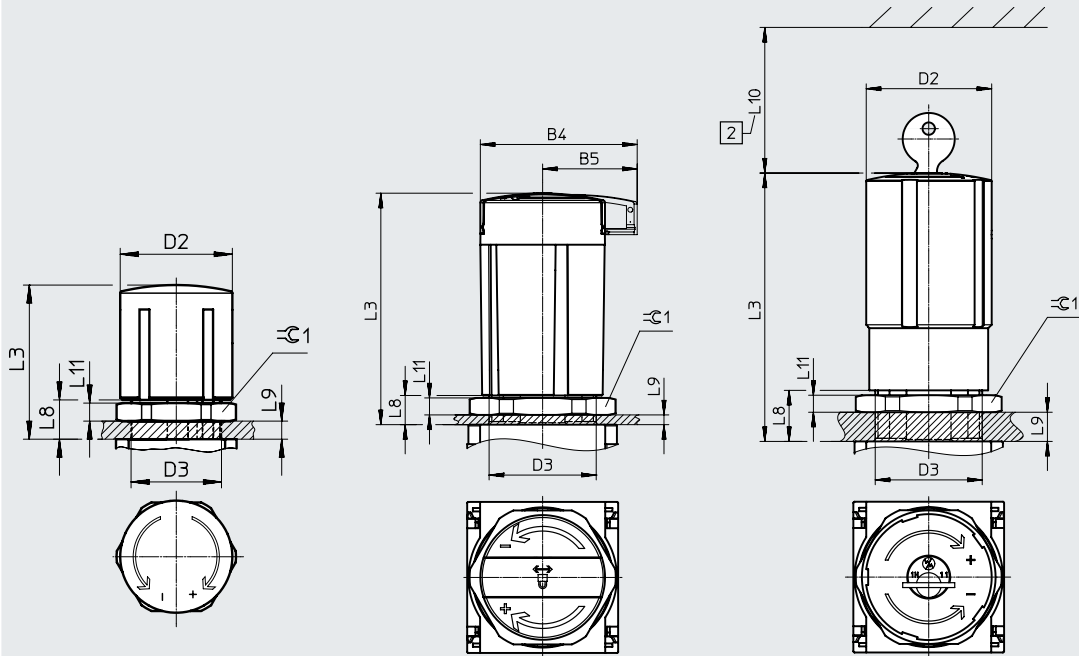
Download CAD data → [www.festo.com](http://www.festo.com)

For installation into control panel or mounting with hex nut MS4/6-WRS (not included in the scope of delivery)

[1] Rotary knob with latch

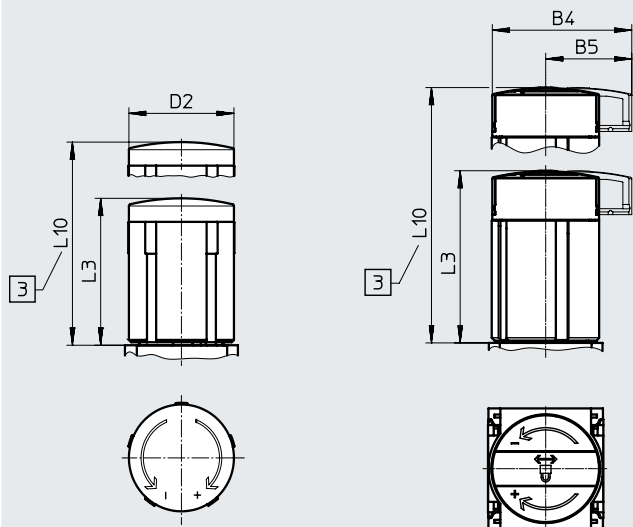
[AS] Rotary knob with latch, can be locked using accessories

[E11] Rotary knob with integrated lock



[LD] Rotary knob, long, with latch

[LD-AS] Rotary knob, long, with latch, can be locked using accessories



[2] Installation dimension  
 [3] For pressure adjustment: fully pull out telescopic rotary knob

Type	B4	B5	D2	D3	L3	L8	L9	L10	L11	⊕ 1
MS4-LFR...	-	-	37.2	M30x1.5	51.1	13	5	-	6	36
MS4-LFR...-AS	48.6	30			60.2	13	5			
MS4-LFR...-E11	-	-			76	14	6			
MS4-LFR...-LD	-	-	-	-	51.1	-	-	76.8	-	-
MS4-LFR...-LD-AS	48.6	30			60	-	-	85.7		
MS6-LFR...	-	-	51.2	M44x1	86	21	14	-	7	55
MS6-LFR...-AS	64.4	38.8			95.1	12	5			
MS6-LFR...-E11	-	-			110	21	14			
MS6-LFR...-LD	-	-	-	-	86	-	-	139	-	-
MS6-LFR...-LD-AS	64.4	38.8			95.5	-	-	148.5		

Datasheet

**Dimensions – Condensate drain**

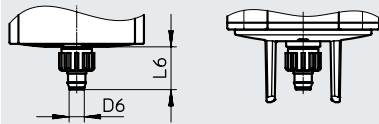
Download CAD data → [www.festo.com](http://www.festo.com)

[M] Manual rotary

MS4-...-R/U-M

MS6-...-R-M

MS6-...-U-M



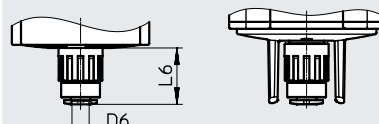
Barbed connector for plastic tubing PUN(-H)-8x1.25

[H] Semi-automatic

MS4-...-R/U-H

MS6-...-R-H

MS6-...-U-H



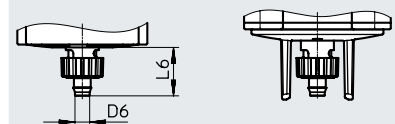
Push-in connector for plastic tubing PUN-6/PAN-6

[V] Fully automatic

MS4-...-R/U-V

MS6-...-R-V

MS6-...-U-V



Barbed connector for plastic tubing PUN(-H)-8x1.25

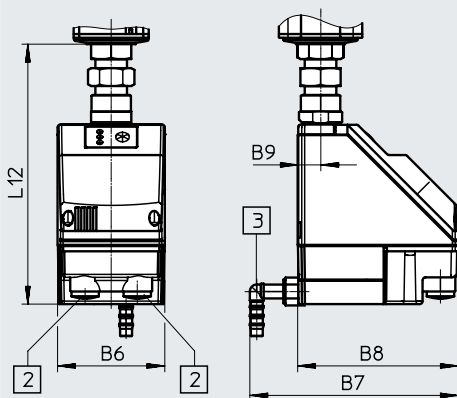
Type	D6 ∅	L6
<b>Plastic bowl guard R</b>		
MS4-LFR-...-M	5.6	17.7
MS6-LFR-...-M		15.8
<b>Metal bowl U</b>		
MS4-LFR-...-M	5.6	17.7
MS6-LFR-...-M		–

Type	D6 ∅	L6
<b>Plastic bowl guard R</b>		
MS4-LFR-...-H	6.2	22.1
MS6-LFR-...-H		20.4
<b>Metal bowl U</b>		
MS4-LFR-...-H	6.2	22.1
MS6-LFR-...-H		–

Type	D6 ∅	L6
<b>Plastic bowl guard R</b>		
MS4-LFR-...-V	5.6	20.4
MS6-LFR-...-V		18.5
<b>Metal bowl U</b>		
MS4-LFR-...-V	5.6	20.4
MS6-LFR-...-V		–

[E2]/[E3]/[E4] Fully automatic, electrically actuated

Datasheets → Internet: [pwea](http://pwea.com)



Condensate drain PWEA:

- [2] Electrical connection: screw terminal PG9
- [3] Connection can be rotated 360° for plastic tubing PUN-H-12x2

Type	B6	B7	B8	B9	L12
MS6-LFR-...-E2/E3/E4	72	140	108	15	174.5



## Datasheet

## ★ Core Range

Ordering data						
Pressure regulation range 0.3 ... 4 bar, plastic bowl guard, integrated MS pressure gauge with standard scale, display unit [bar], rotary knob with latch, with integrated lock						
Size	Connection	Condensate drain	Grade of filtration 5 µm		Grade of filtration 40 µm	
			Part no.	Type	Part no.	Type
<b>Flow direction from left to right</b>						
MS6	G3/8	Manual	–	–	8190246	MS6-LFR-3/8-D5-ERM-E11

Ordering data						
Pressure regulation range 0.3 ... 7 bar, plastic bowl guard, integrated MS pressure gauge with standard scale, display unit [bar], rotary knob with latch, can be locked using accessories or with integrated lock						
Size	Connection	Condensate drain	Grade of filtration 5 µm		Grade of filtration 40 µm	
			Part no.	Type	Part no.	Type
<b>Flow direction from left to right</b>						
MS4	G1/4	Manual	★ 529144	MS4-LFR-1/4-D6-CRM-AS	★ 529148	MS4-LFR-1/4-D6-ERM-AS
		Fully automatic	★ 529146	MS4-LFR-1/4-D6-CRV-AS	★ 529150	MS4-LFR-1/4-D6-ERV-AS
MS6	G3/8	Manual	–	–	8190247	MS6-LFR-3/8-D6-E-R-M-E11
			★ 529176	MS6-LFR-1/2-D6-CRM-AS	★ 529180	MS6-LFR-1/2-D6-ERM-AS
	–	–	589898	MS6-LFR-1/2-D6-E-R-M-RG-AS		
	Fully automatic	G1/2	★ 529178	MS6-LFR-1/2-D6-CRV-AS	★ 529182	MS6-LFR-1/2-D6-ERV-AS
			579069	MS6-LFR-1/2-D6-C-R-V-A4-AS	610054	MS6-LFR-1/2-D6-E-R-V-AS-UL1
			609971	MS6-LFR-1/2-D6-C-R-V-RG-AS	8190245	MS6-LFR-1/2-D6-E-R-V-RG-AS
594970			MS6-LFR-1/2-D6-C-R-V-RG-AS-Z	595910	MS6-LFR-1/2-D6-E-R-V-RG-AS-UL1	

Ordering data						
Pressure regulation range 0.5 ... 12 bar, plastic bowl guard, integrated MS pressure gauge with standard scale, display unit [bar], rotary knob with latch, can be locked using accessories or with integrated lock						
Size	Connection	Condensate drain	Grade of filtration 5 µm		Grade of filtration 40 µm	
			Part no.	Type	Part no.	Type
<b>Flow direction from left to right</b>						
MS4	G1/4	Manual	★ 529152	MS4-LFR-1/4-D7-CRM-AS	★ 529156	MS4-LFR-1/4-D7-ERM-AS
		Fully automatic	★ 529154	MS4-LFR-1/4-D7-CRV-AS	★ 529158	MS4-LFR-1/4-D7-ERV-AS
MS6	G3/8	Manual	–	–	611737	MS6-LFR-3/8-D7-E-R-M-E11
			★ 529184	MS6-LFR-1/2-D7-CRM-AS	★ 529188	MS6-LFR-1/2-D7-ERM-AS
	–	–	588774	MS6-LFR-1/2-D7-E-R-M		
	–	–	563024	MS6-LFR-1/2-D7-E-R-M-A4-AS		
	–	–	588899	MS6-LFR-1/2-D7-E-R-M-RG		
	–	–	579051	MS6-LFR-1/2-D7-E-R-M-RG-AS		
	Fully automatic	G1/2	★ 529186	MS6-LFR-1/2-D7-CRV-AS	★ 529190	MS6-LFR-1/2-D7-ERV-AS
			609974	MS6-LFR-1/2-D7-C-R-V-A4-AS	–	–
578836			MS6-LFR-1/2-D7-C-R-V-RG-AS	–	–	
583193			MS6-LFR-1/2-D7-C-R-V-RG-AS	–	–	

Ordering data						
Pressure regulation range 0.5 ... 12 bar, integrated as metal bowl, integrated MS pressure gauge with standard scale, display unit [bar], rotary knob with latch, can be locked using accessories						
Size	Connection	Condensate drain	Grade of filtration 5 µm		Grade of filtration 40 µm	
			Part no.	Type	Part no.	Type
<b>Flow direction from left to right</b>						
MS4	G1/4	Manual	–	–	★ 535724	MS4-LFR-1/4-D7-EUM-AS
		Fully automatic	★ 535720	MS4-LFR-1/4-D7-CUV-AS	★ 535722	MS4-LFR-1/4-D7-EUV-AS
MS6	G1/2	Manual	★ 530338	MS6-LFR-1/2-D7-CUM-AS	★ 529192	MS6-LFR-1/2-D7-EUM-AS
		Fully automatic	★ 530340	MS6-LFR-1/2-D7-CUV-AS	★ 529194	MS6-LFR-1/2-D7-EUV-AS

## Datasheet

<b>Ordering data</b>						
Pressure regulation range 0.3 ... 7 bar, plastic bowl guard, integrated MS pressure gauge with standard scale, display unit [bar], rotary knob with latch, can be locked using accessories						
Size	Connection	Condensate drain	Grade of filtration 5 µm		Grade of filtration 40 µm	
			Part no.	Type	Part no.	Type
<b>Flow direction from left to right</b>						
MS4	G1/8	Manual	529160	MS4-LFR-1/8-D6-CRM-AS	529164	MS4-LFR-1/8-D6-ERM-AS
		Fully automatic	529162	MS4-LFR-1/8-D6-CRV-AS		529166
MS6	G1/4	Manual	529196	MS6-LFR-1/4-D6-CRM-AS	529200	MS6-LFR-1/4-D6-ERM-AS
		Fully automatic	–	–	529202	MS6-LFR-1/4-D6-ERV-AS
	G3/8	Manual	529216	MS6-LFR-3/8-D6-CRM-AS	529220	MS6-LFR-3/8-D6-ERM-AS
		Fully automatic	529218	MS6-LFR-3/8-D6-CRV-AS	529222	MS6-LFR-3/8-D6-ERV-AS
<b>Flow direction from right to left</b>						
MS4	G1/4	Manual	529145	MS4-LFR-1/4-D6-CRM-AS-Z	529149	MS4-LFR-1/4-D6-ERM-AS-Z
		Fully automatic	–	–	529151	MS4-LFR-1/4-D6-ERV-AS-Z
MS6	G3/8	Fully automatic	529219	MS6-LFR-3/8-D6-CRV-AS-Z	–	–
	G1/2	Manual	529177	MS6-LFR-1/2-D6-CRM-AS-Z	529181	MS6-LFR-1/2-D6-ERM-AS-Z
		Fully automatic	–	–	529183	MS6-LFR-1/2-D6-ERV-AS-Z

## Datasheet

Ordering data							
Pressure regulation range 0.5 ... 12 bar, plastic bowl guard, integrated MS pressure gauge with standard scale, display unit [bar], rotary knob with latch, can be locked using accessories							
Size	Connection	Condensate drain	Grade of filtration 5 µm		Grade of filtration 40 µm		
			Part no.	Type	Part no.	Type	
<b>Flow direction from left to right</b>							
MS4	G1/8	Manual	529168	MS4-LFR-1/8-D7-CRM-AS		529172	MS4-LFR-1/8-D7-ERM-AS
		Fully automatic	529170	MS4-LFR-1/8-D7-CRV-AS		529174	MS4-LFR-1/8-D7-ERV-AS
MS6	G1/4	Manual	529204	MS6-LFR-1/4-D7-CRM-AS		529208	MS6-LFR-1/4-D7-ERM-AS
		Fully automatic	529206	MS6-LFR-1/4-D7-CRV-AS		529210	MS6-LFR-1/4-D7-ERV-AS
	G3/8	Manual	529224	MS6-LFR-3/8-D7-CRM-AS		529228	MS6-LFR-3/8-D7-ERM-AS
		Fully automatic	529226	MS6-LFR-3/8-D7-CRV-AS		529230	MS6-LFR-3/8-D7-ERV-AS
<b>Flow direction from right to left</b>							
MS4	G1/4	Manual	529153	MS4-LFR-1/4-D7-CRM-AS-Z		529157	MS4-LFR-1/4-D7-ERM-AS-Z
		Fully automatic	529155	MS4-LFR-1/4-D7-CRV-AS-Z		529159	MS4-LFR-1/4-D7-ERV-AS-Z
MS6	G1/4	Manual	529205	MS6-LFR-1/4-D7-CRM-AS-Z		–	–
		G1/2	Manual	529185		MS6-LFR-1/2-D7-CRM-AS-Z	529189
	Fully automatic		529187	MS6-LFR-1/2-D7-CRV-AS-Z		529191	MS6-LFR-1/2-D7-ERV-AS-Z
<b>Ordering data</b>							
Pressure regulation range 0.5 ... 12 bar, integrated as metal bowl, integrated MS pressure gauge with standard scale, display unit [bar], rotary knob with latch, can be locked using accessories							
Size	Connection	Condensate drain	Grade of filtration 5 µm		Grade of filtration 40 µm		
			Part no.	Type	Part no.	Type	
<b>Flow direction from left to right</b>							
MS6	G3/8	Manual	–	–		529232	MS6-LFR-3/8-D7-EUM-AS
		Fully automatic	530348	MS6-LFR-3/8-D7-CUV-AS		529234	MS6-LFR-3/8-D7-EUV-AS

## Ordering data – Modular product system

Ordering table		Grid dimension	[mm]	40	62	Conditions	Code	Enter code
Module no.		<b>526489</b>		<b>526490</b>				
Series		Standard					<b>MS</b>	MS
Size		4		6			...	
Function		Filter regulator					<b>-LFR</b>	-LFR
Pneumatic connection		Female thread G1/8		–		[1]	<b>-1/8</b>	
		Female thread G1/4		Female thread G1/4		[1]	<b>-1/4</b>	
		–		Female thread G3/8		[1]	<b>-3/8</b>	
		–		Female thread G1/2		[1]	<b>-1/2</b>	
		Connecting plate G1/8		–			<b>-AGA</b>	
		Connecting plate G1/4		Connecting plate G1/4			<b>-AGB</b>	
		Connecting plate G3/8		Connecting plate G3/8			<b>-AGC</b>	
		–		Connecting plate G1/2			<b>-AGD</b>	
		–		Connecting plate G3/4			<b>-AGE</b>	
		Connecting plate 1/8 NPT		–		[1]	<b>-AQK</b>	
		Connecting plate 1/4 NPT		Connecting plate 1/4 NPT		[1]	<b>-AQN</b>	
		Connecting plate 3/8 NPT		Connecting plate 3/8 NPT		[1]	<b>-AQP</b>	
		–		Connecting plate 1/2 NPT		[1]	<b>-AQR</b>	
	–		Connecting plate 3/4 NPT		[1]	<b>-AQS</b>		
Pressure regulation range		0.3 ... 4 bar					<b>-D5</b>	
		0.3 ... 7 bar					<b>-D6</b>	
		0.5 ... 12 bar					<b>-D7</b>	
		–		0.5 ... 16 bar		[1]	<b>-D8</b>	
Grade of filtration		40 µm					<b>-E</b>	
		5 µm					<b>-C</b>	
Bowl		Plastic bowl with plastic bowl guard					<b>-R</b>	
		Metal bowl					<b>-U</b>	
Condensate drain		Manual					<b>-M</b>	
		Semi-automatic (P1 max. 12 bar)				[2]	<b>-H</b>	
		Fully automatic (P1 max. 12 bar)				[2]	<b>-V</b>	
	External, fully automatic, electric	–		115 V AC, connection terminals		[1] [3]	<b>-E2</b>	
		–		230 V AC, connection terminals		[1] [3]	<b>-E3</b>	
		–		24 V DC, connection terminals		[1] [3]	<b>-E4</b>	

[1] 1/8, 1/4, 3/8, 1/2, AQK, AQN, AQP, AQR, AQS, D8, E2, E3, E4, AD7 ... AD10, AD11/AD2, E11, WPM  
Not with EU EX4 certification.

[2] H, V  
Not with pressure regulation range D8.

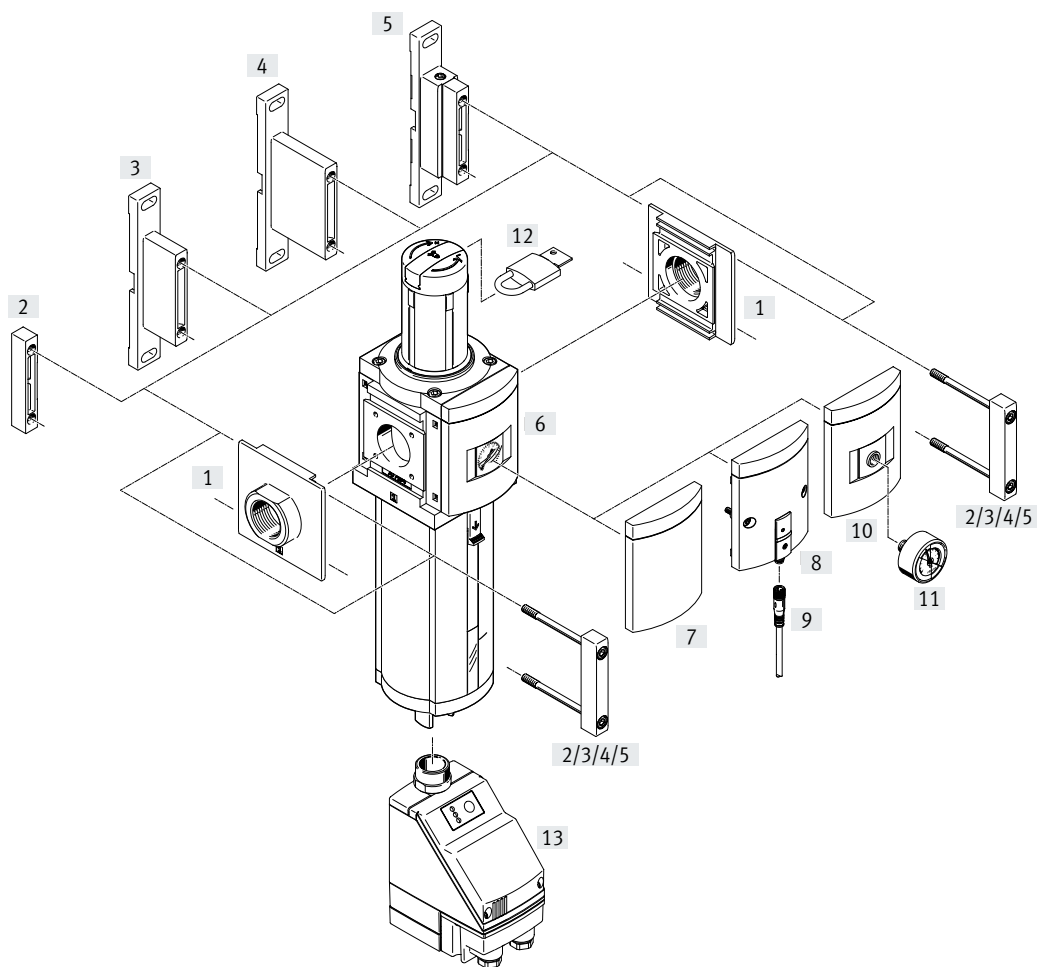
[3] E2, E3, E4  
Only with metal bowl U.


## Ordering data – Modular product system

Ordering table		Grid dimension	[mm]	40	62	Conditions	Code	Enter code
Pressure gauge alternatives	MS pressure gauge							
	Cover plate						-VS	
	Adapter for EN pressure gauge 1/8, without pressure gauge			-			-A8	
	Adapter for EN pressure gauge 1/4, without pressure gauge						-A4	
	Integrated pressure gauge, red/green scale					[4]	-RG	
	Pressure sensor with status indicator, plug M8, threshold value comparator, PNP, N/O contact					[1] [5]	-AD7	
	Pressure sensor with status indicator, plug M8, threshold value comparator, PNP, N/C contact					[1] [5]	-AD8	
	Pressure sensor with status indicator, plug M8, window comparator, PNP, N/O contact					[1] [5]	-AD9	
	Pressure sensor with status indicator, plug M8, window comparator, PNP, N/C contact					[1] [5]	-AD10	
	Pressure sensor with LCD display, M12 plug, 4-pin, IO-Link®, PNP, NPN, 0 ... 10 V, 1 ... 5 V, 4 ... 20 mA					[1] [5]	-AD11	
Pressure sensor with LCD display, M8 plug, 4-pin, IO-Link®, PNP, NPN, 0 ... 10 V, 1 ... 5 V, 4 ... 20 mA					[1] [5]	-AD12		
Alternative pressure gauge scale	MS pressure gauge, bar							
	psi					[6]	-PSI	
	MPa					[6]	-MPA	
Secondary exhausting	With secondary exhaust							
	Without secondary exhausting						-OS	
Rotary knob	Standard							
	Long rotary knob					[7]	-LD	
Locking option	None							
	Lockable using accessories						-AS	
	With integrated lock					[1]	-E11	
Type of mounting	Without mounting bracket							
	Mounting bracket with knurled nut for regulator head					[8]	-WR	
	Mounting bracket standard design					[9]	-WP	
	Mounting bracket for hooking in service unit components					[1] [9]	-WPM	
	Mounting bracket centrally at rear (wall mounting top and bottom), connecting plates not required						-WB	
	Mounting bracket centrally at rear (wall mounting top), connecting plates not required			-			-WBM	
EU certification	None							
	II 2GD to EU Explosion Protection Directive (ATEX)						-EX4	
UL certification	None							
	cULus, ordinary location for Canada and USA						-UL1	
Flow direction	Flow direction from left to right							
	Flow direction from right to left						-Z	

- [4] RG Alternative pressure gauge scale PSI to be used as auxiliary scale only.  
 [5] AD7 ... AD10, Measuring range max. 10 bar.  
 AD11/AD12 Not with pressure regulation range D8.  
 [6] PSI, MPA Not with pressure gauge alternatives VS, A8, A4, AD7 ... AD10.  
 [7] LD Not with locking option E11.  
 [8] WR Not with long rotary knob LD.  
 [9] WP, WPM Only with connecting plate AGA, AGB, AGC, AGD, AGE, AQK, AQN, AQP, AQR or AQS.

Peripherals overview



 **Note**  
 Additional accessories:  
 • Module connectors for combination with size MS6, MS9 or MS12  
 → Internet: rmv, armv

Mounting attachments and accessories

	Individual device	With connecting plate		Combination Module without connecting thread, without connecting plate	→ Page/ Internet
		With female thread	Without EU certification		
[1] Connecting plate SET MS9-AG...	–	–	■	■	ms9-ag
Connecting plate SET MS9-AQ...	–	–	■	–	ms9-aq
[2] Module connector MS9-MV	–	–	–	–	ms9-mv
[3] Mounting bracket MS9-WP	■	■	■	■	ms9-wp
[4] Mounting bracket MS9-WPB	■	■	■	■	ms9-wp
[5] Mounting bracket MS9-WPM	■	■	–	■	ms9-wp
[6] MS pressure gauge AG	■	■	■	■	42
[7] Cover plate VS	■	■	■	■	42
[8] Pressure sensor without display AD7 ... AD10	■	■	–	■	42
[9] Connecting cable NEBU-M8...-LE3	■	■	–	■	54
[10] Adapter for EN pressure gauge 1/4 A4	■	■	■	■	42
[11] Pressure gauge MA	■	■	■	■	54
[12] Padlock LRVS-D	■	■	■	■	54
[13] Electrically actuated condensate drain fully automatic E2, E3, E4	■	■	–	■	42

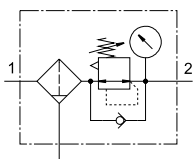
## Type codes

<b>001</b>	<b>Series</b>	
<b>MS</b>	MS series	
<b>002</b>	<b>Size</b>	
<b>9</b>	Grid dimension 90 mm	
<b>003</b>	<b>Function</b>	
<b>LFR</b>	Filter regulator	
<b>004</b>	<b>Pneumatic connection</b>	
<b>3/4</b>	Female thread G3/4	
<b>G1</b>	G1	
<b>AGD</b>	Sub-base G1/2	
<b>AGE</b>	Sub-base G3/4	
<b>AGF</b>	Sub-base G1	
<b>AGG</b>	Sub-base G11/4	
<b>AGH</b>	Sub-base G11/2	
<b>N1</b>	1 NPT	
<b>AQR</b>	Sub-base NPT1/2	
<b>AQS</b>	Sub-base NPT3/4	
<b>AQT</b>	Sub-base NPT1	
<b>AQU</b>	Sub-base NPT11/4	
<b>AQV</b>	Sub-base NPT11/2	
<b>G</b>	Module without connecting thread, without sub-base	
<b>NG</b>	Module without connecting thread, without sub-base (inch)	
<b>3/4"</b>	Female thread NPT 3/4	
<b>005</b>	<b>Pressure regulation range</b>	
<b>D5</b>	0.3 ... 4 bar	
<b>D6</b>	0.3 ... 7 bar	
<b>D7</b>	0.5 ... 12 bar	
<b>D8</b>	0.5 ... 16 bar	
<b>006</b>	<b>Grade of filtration</b>	
<b>C</b>	5 µm	
<b>E</b>	40 µm	
<b>007</b>	<b>Bowl</b>	
<b>U</b>	Metal bowl	
<b>008</b>	<b>Condensate drain</b>	
<b>M</b>	Manually	
<b>H</b>	Semi-automatic	
<b>V</b>	Automatic	
<b>E2</b>	External fully automatic condensate drain, electric, 110 V AC, terminals	
<b>E3</b>	External fully automatic condensate drain, electric, 230 V AC, terminals	
<b>E4</b>	External fully automatic condensate drain, electric, 24 V DC, terminals	

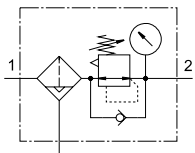
<b>009</b>	<b>Regulator type</b>	
	Pilot actuated	
<b>DI</b>	Directly actuated	
<b>010</b>	<b>Pressure gauge alternatives</b>	
	None	
<b>AG</b>	MS pressure gauge	
<b>VS</b>	Cover plate	
<b>A8</b>	Adapter for EN pressure gauge 1/8, without pressure gauge	
<b>A4</b>	Adapter for EN pressure gauge 1/4, without pressure gauge	
<b>RG</b>	Integrated pressure gauge, red/green scale	
<b>AD7</b>	Pressure sensor with switching display, M8 plug, threshold value comparator, PNP, N/O	
<b>ADB</b>	Pressure sensor with switching display, M8 plug, threshold value comparator, PNP, N/C	
<b>AD9</b>	Pressure sensor with switching display, M8 plug, window comparator, PNP, N/O	
<b>AD10</b>	Pressure sensor with operational status indicator, M8 plug, window comparator, PNP, N/C	
<b>011</b>	<b>Alternative pressure gauge scale</b>	
	MS pressure gauge	
<b>PSI</b>	psi	
<b>BAR</b>	bar	
<b>MPA</b>	MPa	
<b>012</b>	<b>Secondary exhausting</b>	
	With secondary exhausting	
<b>OS</b>	Without secondary exhaust	
<b>013</b>	<b>Lockability</b>	
	None	
<b>AS</b>	Can be locked using accessories	
<b>E11</b>	With integrated lock	
<b>014</b>	<b>Type of mounting</b>	
	Without mounting bracket	
<b>WP</b>	Mounting bracket basic design	
<b>WPM</b>	Mounting bracket for hooking in service unit components	
<b>WPB</b>	Mounting bracket for large wall gap	
<b>015</b>	<b>EU certification</b>	
	None	
<b>EX4</b>	II 2GD	
<b>016</b>	<b>UL certification</b>	
	None	
<b>UL1</b>	cULus ordinary location for Canada and USA	
<b>017</b>	<b>Flow direction</b>	
	Flow direction from left to right	
<b>Z</b>	Flow direction from right to left	

## Datasheet





Condensate drain, manual rotary, with pressure gauge



Semi- or fully automatic condensate drain, with pressure gauge



In this device, the filter and pressure regulator are combined in one unit. The sintered filter with water separator removes contamination, pipe scale, rust and condensate from the compressed air.

-  Flow rate  
10000 ... 23000 l/min
-  Temperature range  
-10 ... +60 °C
-  Operating pressure  
1 ... 20 bar
-  [www.festo.com](http://www.festo.com)



- Good regulation characteristics with minimal hysteresis and primary pressure compensation
- Good particle and condensate separation
- Piloted or directly actuated filter-diaphragm regulator
- High flow rate
- Available with or without secondary exhausting
- Four pressure regulation ranges: 0.5 ... 4 bar, 0.5 ... 7 bar, 0.5 ... 12 bar and 0.5 ... 16 bar
- Pressure gauge connection for different mounting options
- Optionally with manual, semi-automatic, fully automatic or fully automatic, electrically actuated condensate drain
- Actuator lock to protect the set values from being adjusted
- Optional pressure sensor
- Choice of 5 µm or 40 µm filter inserts
- New filter cartridges → 53
- Optional device variant EX4 for use in potentially explosive areas in zones 1, 2, 21 and 22

### General technical data

Pneumatic connection 1, 2	Female thread		G3/4, G1, 3/4 NPT or 1 NPT
Connecting plate	[AG...]	G1/2, G3/4, G1, G1 1/4 or G1 1/2	
	[AQ...]	1/2 NPT, 3/4 NPT, 1 NPT, 1 1/4 NPT or 1 1/2 NPT	
Module without connecting thread/connecting plate	[G]/[ING]	-	
Design	Piloted filter-diaphragm regulator		
	Directly actuated filter-diaphragm regulator		
Regulator function	Piloted	Output pressure constant, with return flow, with input pressure compensation, with secondary exhausting	
	Directly actuated	Output pressure constant, with return flow, with/without secondary exhausting	
Type of mounting	Via accessories		
	In-line installation		
Mounting position	Vertical ±5°		
Grade of filtration [µm]	5		
	40		
Air purity class at the output	Compressed air to ISO 8573-1:2010 [6:4:4] (grade of filtration 5 µm)		
	Compressed air to ISO 8573-1:2010 [7:4:4] (grade of filtration 40 µm)		
Bowl guard	Integrated as metal bowl		
Condensate drain	Manual		
	Semi-automatic		
	Fully automatic		
	Fully automatic, electrically actuated		
Actuator lock	Rotary knob with latch, can be locked using accessories		
	Rotary knob with integrated lock		
Pressure regulation range/actuation	[D5]	[bar]	0.5 ... 4, manually actuated
	[D6]	[bar]	0.5 ... 7, manually actuated
	[D7]	[bar]	0.5 ... 12, manually actuated (0.5 ... 10 with pressure sensor variant)
	[D8]	[bar]	0.5 ... 16, manually actuated (0.5 ... 10 with pressure sensor variant)

† Note: This product conforms to ISO 1179-1 and ISO 228-1.



## Datasheet

General technical data	
Max. pressure hysteresis [bar]	0.4
Pressure indication	Via pressure sensor for indicating the output pressure and electrical output
	Via pressure gauge for displaying the output pressure
	Via pressure gauge with red/green scale for indicating the output pressure
	Prepared for G1/4
Max. condensate volume [ml]	220

Standard nominal flow rate $q_{nN}^{1)2)}$ [l/min]					
Design	Piloted filter-diaphragm regulator			Directly actuated filter-diaphragm regulator	
Pneumatic connection	G3/4, 3/4 NPT	G1, 1 NPT	G3/4, 3/4 NPT	G1, 1 NPT	
<b>[D5] Pressure regulation range 0.5 ... 4 bar</b>					
Grade of filtration	5 $\mu\text{m}$	17000 <sup>3)</sup>	20000 <sup>3)</sup>	16000 <sup>3)</sup>	18000 <sup>3)</sup>
	40 $\mu\text{m}$	18000 <sup>3)</sup>	23000 <sup>3)</sup>	16000 <sup>3)</sup>	20000 <sup>3)</sup>
<b>[D6] Pressure regulation range 0.5 ... 7 bar</b>					
Grade of filtration	5 $\mu\text{m}$	15000	18000	12000	10000
	40 $\mu\text{m}$	16000	20000	12000	10000
<b>[D7] Pressure regulation range 0.5 ... 12 bar</b>					
Grade of filtration	5 $\mu\text{m}$	15000	18000	–	–
	40 $\mu\text{m}$	16000	20000	–	–
<b>[D8] Pressure regulation range 0.5 ... 16 bar</b>					
Grade of filtration	5 $\mu\text{m}$	15000	18000	–	–
	40 $\mu\text{m}$	16000	20000	–	–

1) All values  $\pm 15\%$ 2) Measured at  $p_1 = 10$  bar and  $p_2 = 6$  bar,  $\Delta p = 1$  bar3) Measured at  $p_1 = 10$  bar and  $p_2 = 4$  bar,  $\Delta p = 1$  bar

† 125 l/min must be available for the fully automatic condensate drain to close correctly.

Operating and environmental conditions				
Condensate drain	Manual	Semi-automatic	Fully automatic	Fully automatic, electrically actuated
Operating pressure [bar]	1 ... 20	1.5 ... 12	2 ... 12	1 ... 16
Operating medium	Compressed air to ISO 8573-1:2010 [-:4:-]	Compressed air to ISO 8573-1:2010 [-:4:-]	Compressed air to ISO 8573-1:2010 [7:4:-]	Compressed air to ISO 8573-1:2010 [-:4:-]
	Inert gases			
Ambient temperature [°C]	-10 ... +60	-10 ... +60	-10 ... +60	+1 ... +60
Ambient temperature with pressure sensor [°C]	0 ... +50	+5 ... +50	+5 ... +50	+1 ... +50
Temperature of medium [°C]	-10 ... +60	-10 ... +60	-10 ... +60	+1 ... +60
Temperature of medium with pressure sensor [°C]	0 ... +50	+5 ... +50	+5 ... +50	+1 ... +50
Storage temperature [°C]	-10 ... +60	+5 ... +60	+5 ... +60	+1 ... +60
Corrosion resistance class CRC <sup>1)</sup>	2			
UL certification <sup>2)</sup>	c UL us - Recognized (OL)			

1) More information [www.festo.com/x/topic/crc](http://www.festo.com/x/topic/crc)2) More information: [www.festo.com/catalogue/ms9-lfr](http://www.festo.com/catalogue/ms9-lfr) → Support/Downloads.

## Datasheet

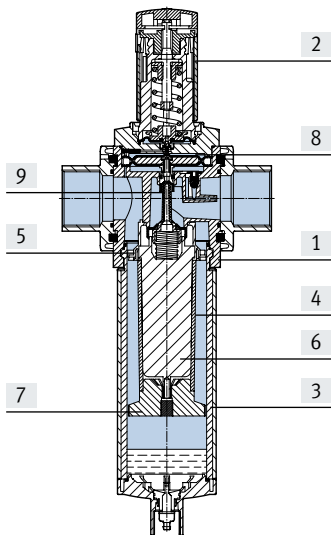
ATEX	
EU certification	[EX4]
ATEX category for gas	II 2G
Type of (ignition) protection for gas	Ex h IIC T6 Gb X
ATEX category for dust	II 2D
Type of (ignition) protection for dust	Ex h IIIC T60°C Db X
Explosion ambient temperature	-10 °C ≤ Ta ≤ +60 °C
Explosion protection certification outside the EU	EPL Db (GB) EPL Gb (GB)
CE marking (see declaration of conformity) <sup>1)</sup>	To EU Explosion Protection Directive (ATEX)
UKCA marking (see declaration of conformity) <sup>1)</sup>	To UK EX instructions

1) More information: [www.festo.com/catalogue/ms9-lfr](http://www.festo.com/catalogue/ms9-lfr) → Support/Downloads.

Weight [g]		
Rotary knob	Without integrated lock	With integrated lock
Filter regulator with metal bowl	2400	2700
Filter regulator with metal bowl and electrically actuated condensate drain, fully automatic	2800	3100

### Materials

#### Sectional view



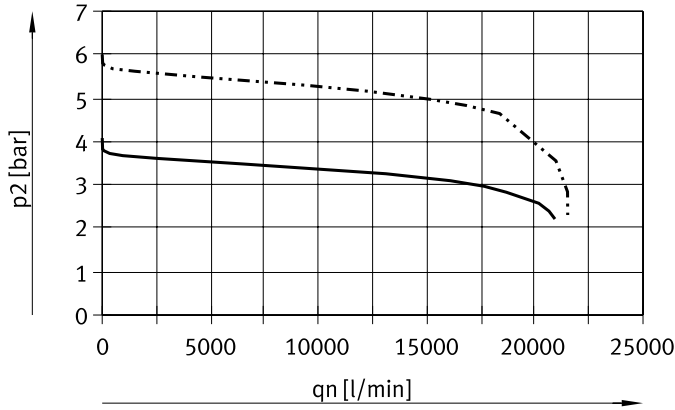
Filter regulator		
[1]	Housing	Die-cast aluminium
[2]	Rotary knob	PA
	Rotary knob with integrated lock	Aluminium
[3]	Bowl	Wrought aluminium alloy
	Inspection window	PA
[4]	Filter element	PE
[5]	Spin disc	POM
[6]	Filter support	POM
[7]	Separating disc	POM
[8]	Diaphragm	NBR
[9]	Valve tappet	Wrought aluminium alloy, NBR, POM
-	Covering	Reinforced PA
-	Connecting plate, module connector, mounting bracket	Die-cast aluminium
-	Seals	NBR
	Note on materials	RoHS-compliant
	LABS (PWIS) conformity	VDMA24364-B1/B2-L

Datasheet

**Standard flow rate  $q_n$  as a function of output pressure  $p_2$  ( $p_1 = 10$  bar)**

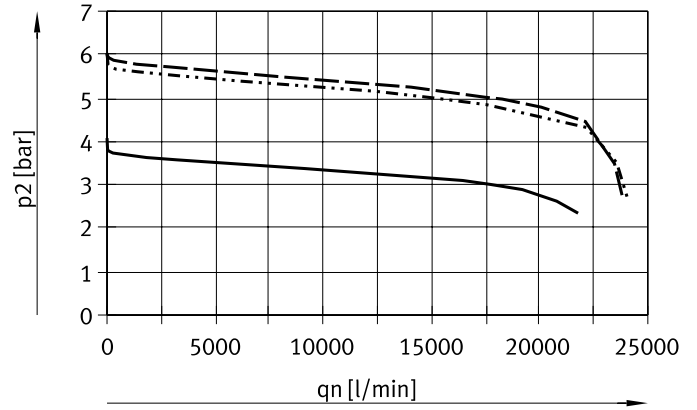
Piloted filter-diaphragm regulator

Grade of filtration 5  $\mu\text{m}$ , pneumatic connection G3/4 or 3/4 NPT



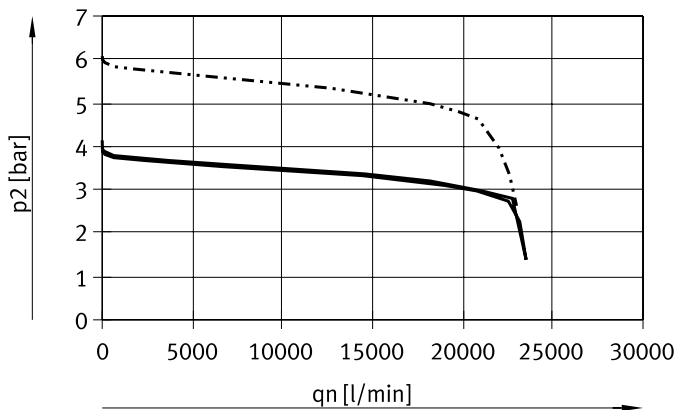
- MS9-LFR...-D5
- · - · MS9-LFR...-D6/D7/D8

Grade of filtration 40  $\mu\text{m}$ , pneumatic connection G3/4 or 3/4 NPT



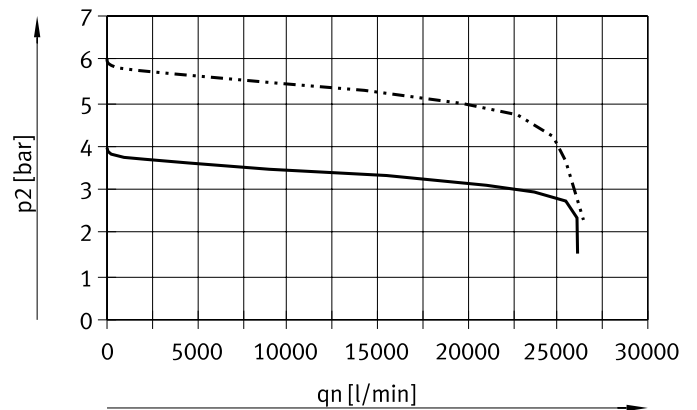
- MS9-LFR...-D5
- · - · MS9-LFR...-D6/D8
- - - MS9-LFR...-D7

Grade of filtration 5  $\mu\text{m}$ , pneumatic connection G1 or 1 NPT



- MS9-LFR...-D5
- · - · MS9-LFR...-D6/D7/D8

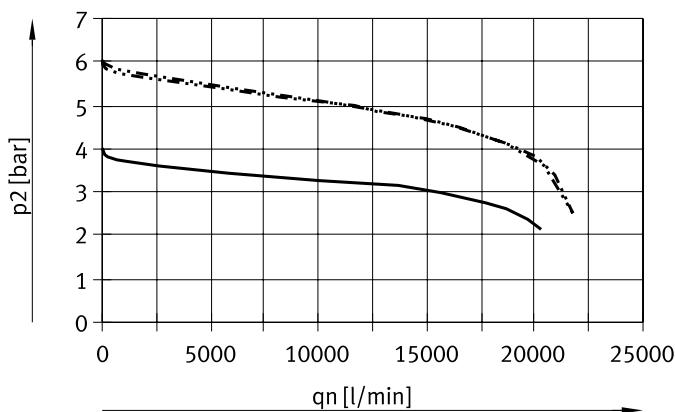
Grade of filtration 40  $\mu\text{m}$ , pneumatic connection G1 or 1 NPT



**Standard flow rate  $q_n$  as a function of output pressure  $p_2$  at operating pressure  $p_1 = 10$  bar**

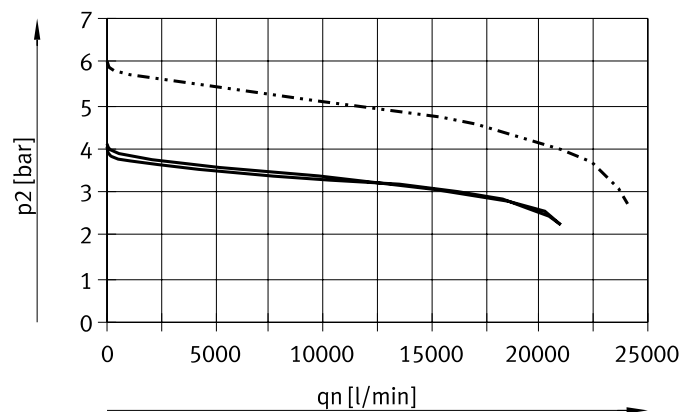
Directly actuated filter-diaphragm regulator

Grade of filtration 5  $\mu\text{m}$ , pneumatic connection G3/4 or 3/4 NPT



- MS9-LFR...-D5
- · - · MS9-LFR...-D6

Grade of filtration 40  $\mu\text{m}$ , pneumatic connection G3/4 or 3/4 NPT

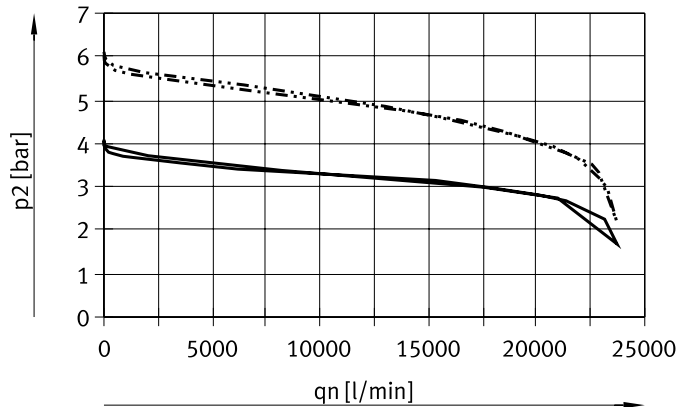


Datasheet

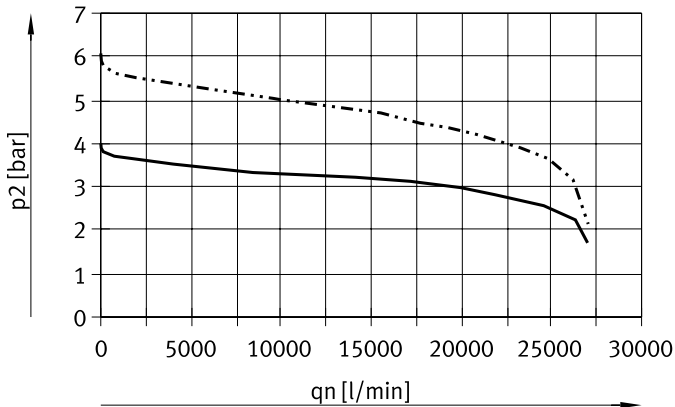
Standard flow rate  $q_n$  as a function of output pressure  $p_2$  ( $p_1 = 10$  bar)

Directly actuated filter-diaphragm regulator

Grade of filtration 5  $\mu\text{m}$ , pneumatic connection G1 or 1 NPT



Grade of filtration 40  $\mu\text{m}$ , pneumatic connection G1 or 1 NPT



— MS9-LFR-...-D5  
 - - - MS9-LFR-...-D6

Dimensions – Basic version

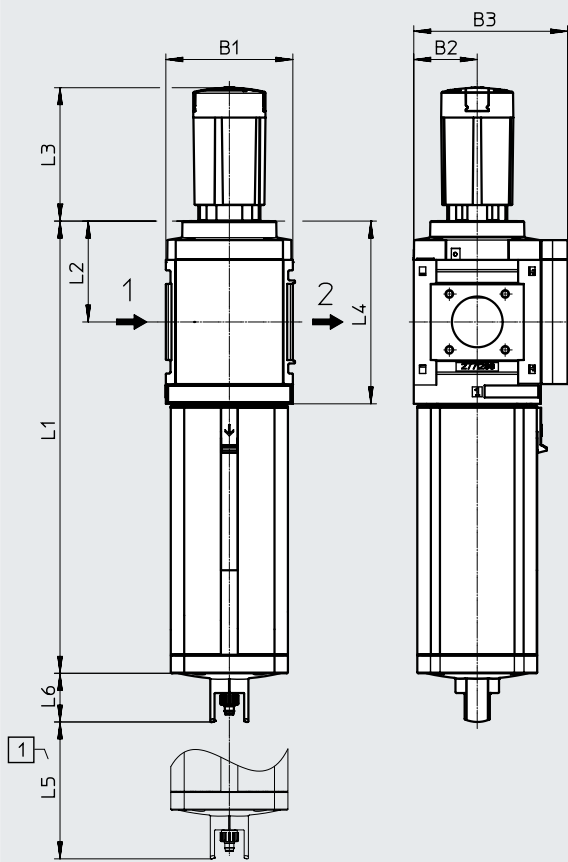
Download CAD data → [www.festo.com](http://www.festo.com)

[G]/[NG] Module without connecting thread, without connecting plate (inch)

[M]/[V] Rotary condensate drain, manual/fully automatic

[VS] Cover plate

[AS] Rotary knob with latch, can be locked using accessories



[1] Installation dimension

→ Flow direction

Type	B1	B2	B3	L1	L2	L3	L4	L5	L6
MS9-LFR-G/NG	90	45	109	320.5	71.5	94.5	127	150	34.5

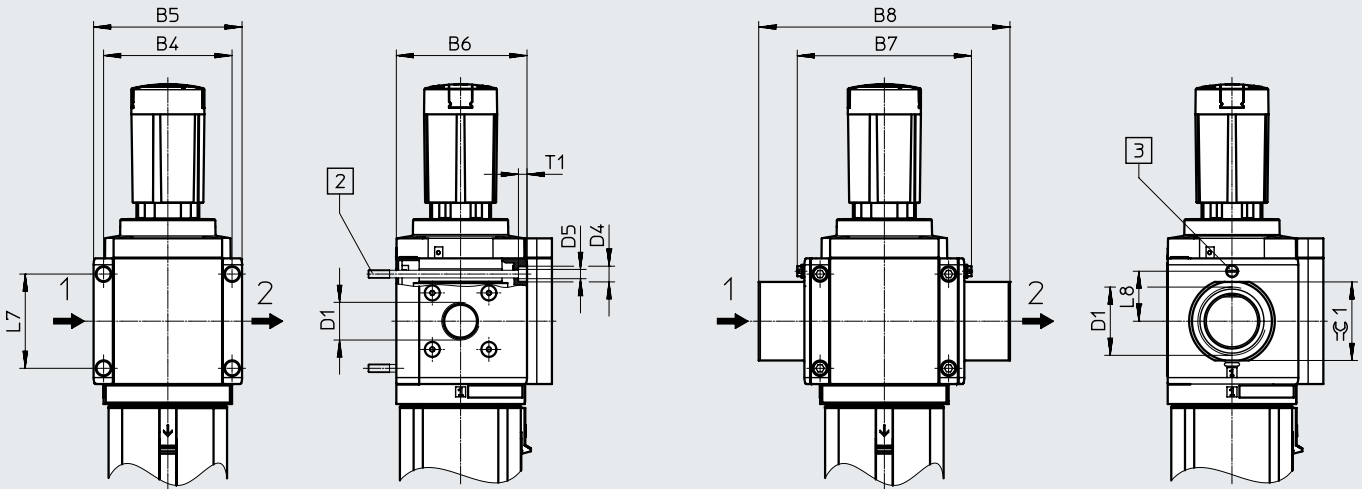
Datasheet

Dimensions – Connecting thread/connecting plate

Download CAD data → [www.festo.com](http://www.festo.com)

[3/4]/[1]/[N3/4]/[N1] Female thread

[AG...]/[AQ...] Connecting plate



[2] Retaining screw M6xmin. 90 to DIN 912 (not included in the scope of delivery) for wall mounting without mounting bracket

[3] Earthing screw M4x8 (only with MS9-...-EX4)

→ Flow direction

Type	B4	B5	B6	B7		B8	D1	D4	D5	L7	L8		T1	≅C
					[EX4]							[EX4]		
MS9-LFR-3/4	90	104	91.5	-	-	-	G3/4	11	6.5	66	-	6	-	
MS9-LFR-1							G1							
MS9-LFR-AGD	-	-	-	112	122	132	G1/2	-	-	-	35	-	-	
MS9-LFR-AGE							G3/4							
MS9-LFR-AGF							G1							
MS9-LFR-AGG							G1 1/4							
MS9-LFR-AGH							G1 1/2							
MS9-LFR-N3/4	90	104	91.5	-	-	-	3/4 NPT	11	6.5	66	-	6	-	
MS9-LFR-N1							1 NPT							
MS9-LFR-AQR	-	-	-	112	-	132	1/2 NPT	-	-	-	-	-	-	
MS9-LFR-AQS							3/4 NPT							
MS9-LFR-AQT							1 NPT							
MS9-LFR-AQU							1 1/4 NPT							
MS9-LFR-AQV							1 1/2 NPT							

† Note: This product conforms to ISO 1179-1 and ISO 228-1.

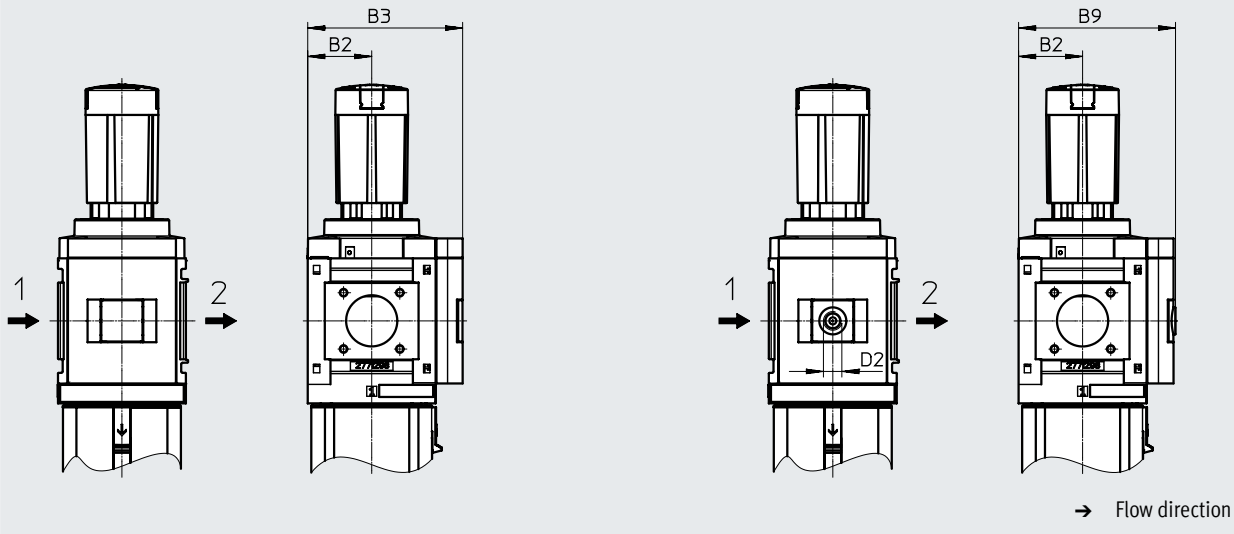
Datasheet

Dimensions – Pressure gauge alternatives

Download CAD data → [www.festo.com](http://www.festo.com)

- [AG] Integrated MS pressure gauge with standard scale
- [RG] Integrated MS pressure gauge with red/green scale

- [A4] Adapter for EN pressure gauge 1/4, without pressure gauge



Type	B2	B3	B9	D2
MS9-LFR-...-AG/RG	45	109	-	-
MS9-LFR-...-A4		-	110	G1/4

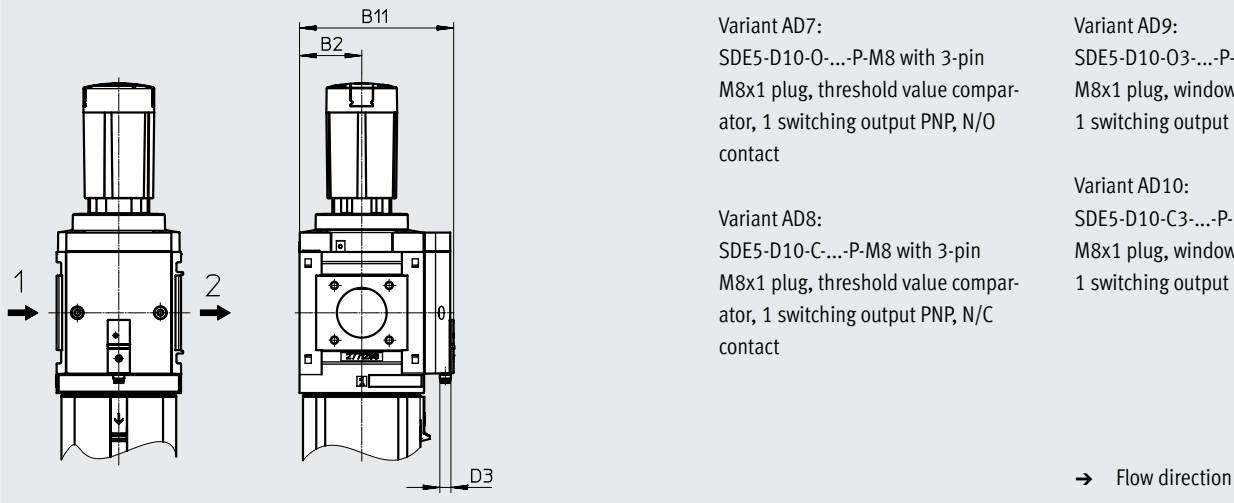
† Note: This product conforms to ISO 1179-1 and ISO 228-1.

Dimensions – Pressure gauge alternatives

Download CAD data → [www.festo.com](http://www.festo.com)

- [AD7 ... AD10] Pressure sensor without LCD display (switching status indicator only)

Datasheets → Internet: sde5



Variant AD7:  
SDE5-D10-O-...-P-M8 with 3-pin M8x1 plug, threshold value comparator, 1 switching output PNP, N/O contact

Variant AD9:  
SDE5-D10-O3-...-P-M8 with 3-pin M8x1 plug, window comparator, 1 switching output PNP, N/O contact

Variant AD8:  
SDE5-D10-C-...-P-M8 with 3-pin M8x1 plug, threshold value comparator, 1 switching output PNP, N/C contact

Variant AD10:  
SDE5-D10-C3-...-P-M8 with 3-pin M8x1 plug, window comparator, 1 switching output PNP, N/C contact

Type	B2	B11	D3
MS9-LFR-...-AD7/AD8/AD9/AD10	45	112	M8x1

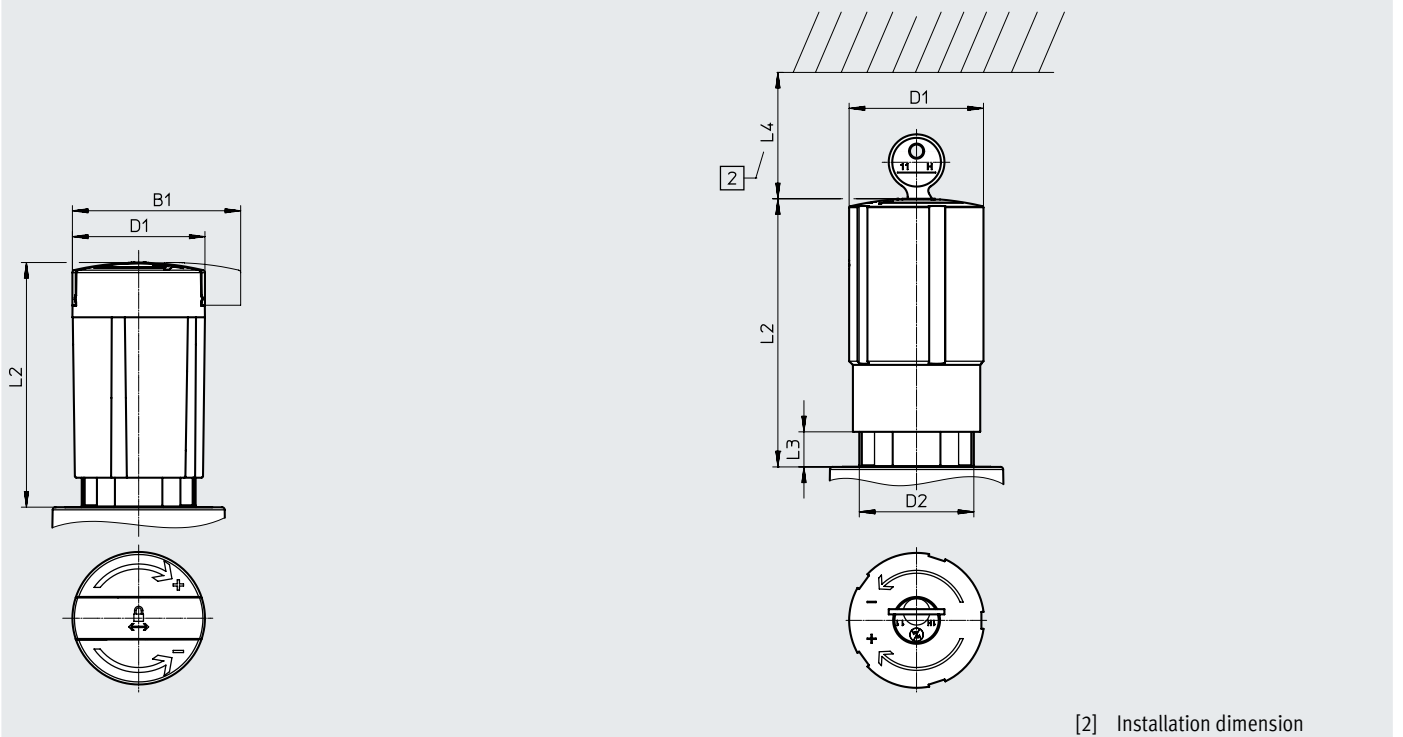
Datasheet

**Dimensions – Rotary knob**

Download CAD data → [www.festo.com](http://www.festo.com)

[AS] Rotary knob with latch, can be locked using accessories

[E11] Rotary knob with integrated lock



[2] Installation dimension

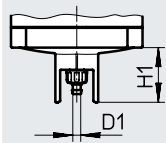
Type	B1	D1	D2	L2	L3	L4
MS9-LFR...-AS	64.4	51.2	M44x1	94.5	-	-
MS9-LFR...-E11	-			103.5	13.5	60

Datasheet

Dimensions – Condensate drain

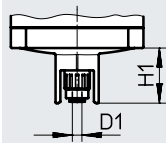
Download CAD data → [www.festo.com](http://www.festo.com)

[M]/[V] Manual/fully automatic



Barbed connector for plastic tubing  
PUN(-H)-8x1.25

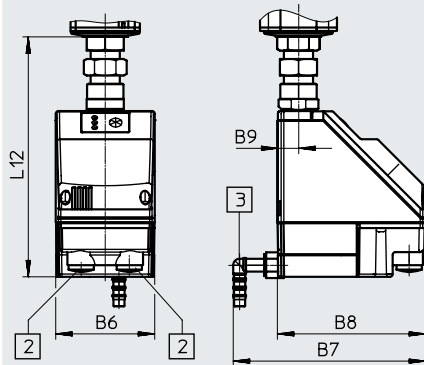
[H] Semi-automatic



Push-in connector for plastic tubing  
PUN-6/PAN-6

[E2]/[E3]/[E4] Fully automatic, electrically actuated

Datasheets → Internet: [pwea](http://pwea.com)



Condensate drain PWEA:

- [2] Electrical connection: screw terminal PG9
- [3] Connection can be rotated 360° for plastic tubing PUN-H-12x2

Type	B6	B7	B8	B9	D1	H1	L12
MS9-LFR-...-M/V	-				5.6	34.5	-
MS9-LFR-...-H					6.2		
MS9-LFR-...-E2/E3/E4	72	140	108	15	-		178



## Datasheet

Ordering data					
Size	Condensate drain	Grade of filtration 5 µm		Grade of filtration 40 µm	
		Part no.	Type	Part no.	Type
<b>Pressure regulation range 0.5 ... 7 bar, piloted filter diaphragm regulator, integrated MS pressure gauge with standard scale, display unit [bar], rotary knob with latch, can be locked using accessories</b>					
MS9	Manual	564114	MS9-LFR-G-D6-CUM-AG-BAR-AS	564110	MS9-LFR-G-D6-EUM-AG-BAR-AS
	Fully automatic	564115	MS9-LFR-G-D6-CUV-AG-BAR-AS	564111	MS9-LFR-G-D6-EUV-AG-BAR-AS
<b>Pressure regulation range 0.5 ... 7 bar, directly actuated filter diaphragm regulator, integrated MS pressure gauge with standard scale, display unit [bar], rotary knob with latch, can be locked using accessories</b>					
MS9	Manual	564116	MS9-LFR-G-D6-CUM-DI-AG-BAR-AS	564112	MS9-LFR-G-D6-EUM-DI-AG-BAR-AS
	Fully automatic	564117	MS9-LFR-G-D6-CUV-DI-AG-BAR-AS	564113	MS9-LFR-G-D6-EUV-DI-AG-BAR-AS
<b>Pressure regulation range 0.5 ... 7 bar, directly actuated filter diaphragm regulator, integrated MS pressure gauge with standard scale, display unit [psi], rotary knob with latch, can be locked using accessories</b>					
MS9	Manual	564128	MS9-LFR-NG-D6-CUM-DI-AG-PSI-AS	564124	MS9-LFR-NG-D6-EUM-DI-AG-PSI-AS
	Fully automatic	564129	MS9-LFR-NG-D6-CUV-DI-AG-PSI-AS	564125	MS9-LFR-NG-D6-EUV-DI-AG-PSI-AS
<b>Pressure regulation range 0.5 ... 12 bar, piloted filter diaphragm regulator, integrated MS pressure gauge with standard scale, display unit [bar], rotary knob with latch, can be locked using accessories</b>					
MS9	Manual	564120	MS9-LFR-G-D7-CUM-AG-BAR-AS	564118	MS9-LFR-G-D7-EUM-AG-BAR-AS
	Fully automatic	564121	MS9-LFR-G-D7-CUV-AG-BAR-AS	564119	MS9-LFR-G-D7-EUV-AG-BAR-AS

Ordering data – Modular product system

Ordering table		Grid dimension [mm]	90	Conditions	Code	Enter code	
Module no.	<b>562531</b>						
Series	Standard				<b>MS</b>	MS	
Size	9				<b>9</b>	9	
Function	Filter regulator				<b>-LFR</b>	-LFR	
Pneumatic connection	Female thread G3/4		[1]		<b>-3/4</b>		
	Female thread G1		[1]		<b>-1</b>		
	Connecting plate G1/2				<b>-AGD</b>		
	Connecting plate G3/4				<b>-AGE</b>		
	Connecting plate G1				<b>-AGF</b>		
	Connecting plate G1 1/4				<b>-AGG</b>		
	Connecting plate G1 1/2				<b>-AGH</b>		
	Female thread 3/4 NPT		[1]		<b>-N3/4</b>		
	Female thread 1 NPT		[1]		<b>-N1</b>		
	Connecting plate 1/2 NPT		[1]		<b>-AQR</b>		
	Connecting plate 3/4 NPT		[1]		<b>-AQS</b>		
	Connecting plate 1 NPT		[1]		<b>-AQT</b>		
	Connecting plate 1 1/4 NPT		[1]		<b>-AQU</b>		
	Connecting plate 1 1/2 NPT		[1]		<b>-AQV</b>		
	Module without connecting thread, without connecting plate		[1]		<b>-G</b>		
	Module without connecting thread, without connecting plate (inch)		[1]		<b>-NG</b>		
Pressure regulation range/actuation	0.5 ... 4 bar, manually actuated				<b>-D5</b>		
	0.5 ... 7 bar, manually actuated				<b>-D6</b>		
	0.5 ... 12 bar, manually actuated				<b>-D7</b>		
	0.5 ... 16 bar, manually actuated		[1]		<b>-D8</b>		
Grade of filtration	40 µm				<b>-E</b>		
	5 µm				<b>-C</b>		
Bowl	Metal bowl				<b>-U</b>	-U	
Condensate drain	Manual				<b>-M</b>		
	Semi-automatic (P1 max. 12 bar)				<b>-H</b>		
	Fully automatic (P1 max. 12 bar)				<b>-V</b>		
	External, fully automatic, electric	115 V AC, connection terminals (P1 max. 16 bar)		[1]		<b>-E2</b>	
		230 V AC, connection terminals (P1 max. 16 bar)		[1]		<b>-E3</b>	
24 V DC, connection terminals (P1 max. 16 bar)		[1]		<b>-E4</b>			

[1] 3/4, 1, N3/4, N1, Not with EU EX4 certification.  
 AQR, AQS, AQT,  
 AQU, AQV, G, NG,  
 D8, E2, E3, E4,  
 AD7, AD8, AD9,  
 AD10, E11, WPM

## Ordering data – Modular product system

Ordering table		Grid dimension	[mm]	90	Conditions	Code	Enter code
Regulator type	Piloted						
	Directly actuated				[2]	-DI	
Pressure gauge/pressure gauge alternatives	MS pressure gauge					-AG	
	Cover plate					-VS	
	Adapter for EN pressure gauge 1/4, without pressure gauge					-A4	
	Integrated pressure gauge, red/green scale				[3]	-RG	
	Pressure sensor with status indicator, plug M8, threshold value comparator, PNP, N/O contact				[1] [4]	-AD7	
	Pressure sensor with status indicator, plug M8, threshold value comparator, PNP, N/C contact				[1] [4]	-AD8	
	Pressure sensor with status indicator, plug M8, window comparator, PNP, N/O contact				[1] [4]	-AD9	
	Pressure sensor with status indicator, plug M8, window comparator, PNP, N/C contact				[1] [4]	-AD10	
Alternative pressure gauge scale	psi				[5]	-PSI	
	MPa				[5]	-MPA	
	bar				[5]	-BAR	
Secondary exhausting	With secondary exhaust						
	Without secondary exhausting				[6]	-OS	
Locking option	Lockable using accessories					-AS	
	With integrated lock				[1]	-E11	
Type of mounting	Without mounting bracket						
	Mounting bracket standard design				[7]	-WP	
	Mounting bracket for hooking in service unit components				[1] [7]	-WPM	
	Mounting bracket for large wall gap				[7]	-WPB	
EU certification	None						
	II 2GD to EU Explosion Protection Directive (ATEX)					-EX4	
UL certification	None						
	cULus, ordinary location for Canada and USA					-UL1	
Flow direction	Flow direction from left to right						
	Flow direction from right to left					-Z	

[1] 3/4, 1, N3/4, N1, Not with EU EX4 certification.

AQR, AQS, AQT,  
AQU, AQW, G, NG,  
D8, E2, E3, E4,  
AD7, AD8, AD9,  
AD10, E11, WPM

[2] DI Not with pressure regulation range D7, D8.

[3] RG Not with alternative pressure gauge scale PSI.

PSI scale serves only as an auxiliary scale.

[4] AD7 ... AD10 Measuring range max. 10 bar.

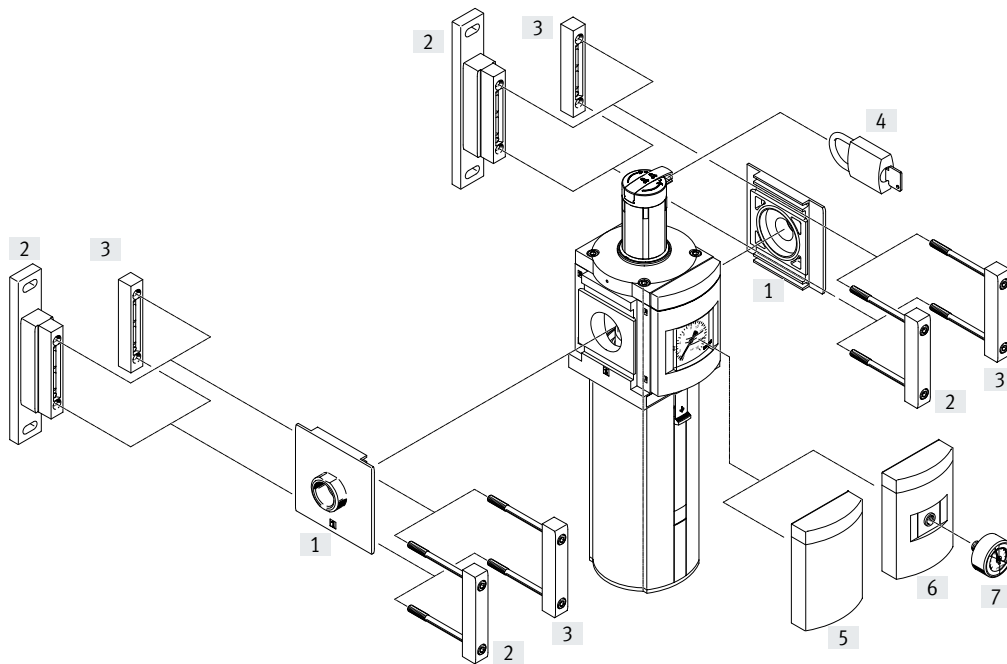
[5] PSI, MPA, BAR Not with pressure gauge alternatives VS, A4, AD7, AD8, AD9, AD10.

[6] OS Only with regulator type DI.

[7] WP, WPM, WPB Not with pneumatic connection G, NG.

## Peripherals overview

### Filter regulator MS12-LFR



**Note**  
 Additional accessories:  
 • Module connectors for combination with size MS9 → Internet: armv

#### Mounting attachments and accessories

		→ Page/Internet
[1]	Connecting plate SET MS12-AG...	ms12-ag
[2]	Mounting bracket MS12-WP	ms12-wp
[3]	Module connector MS12-MV	ms12-mv
[4]	Padlock LRVS-D	54
[5]	Cover plate VS	52
[6]	Adapter for EN pressure gauge 1/4 A4	52
[7]	Pressure gauge MA	54

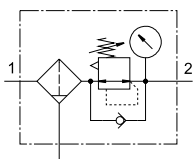
## Type codes

<b>001</b>	<b>Series</b>	
<b>MS</b>	MS series	
<b>002</b>	<b>Size</b>	
<b>12</b>	Grid dimension 124 mm	
<b>003</b>	<b>Function</b>	
<b>LFR</b>	Filter regulator	
<b>004</b>	<b>Pneumatic connection</b>	
<b>AGF</b>	Sub-base G1	
<b>AGG</b>	Sub-base G11/4	
<b>AGH</b>	Sub-base G11/2	
<b>AGI</b>	Sub-base G2	
<b>G</b>	Module without connecting thread, without sub-base	
<b>005</b>	<b>Pressure regulation range</b>	
<b>D6</b>	0.3 ... 7 bar	
<b>D7</b>	0.5 ... 12 bar	
<b>D8</b>	0.5 ... 16 bar	
<b>006</b>	<b>Filter version</b>	
<b>C</b>	5 µm	
<b>E</b>	40 µm	
<b>007</b>	<b>Bowl</b>	
<b>U</b>	Metal bowl	

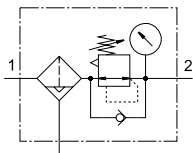
<b>008</b>	<b>Condensate drain</b>	
<b>M</b>	Manually	
<b>V</b>	Automatic	
<b>E2</b>	External fully automatic condensate drain, electric, 110 V AC, terminals	
<b>E3</b>	External fully automatic condensate drain, electric, 230 V AC, terminals	
<b>E4</b>	External fully automatic condensate drain, electric, 24 V DC, terminals	
<b>009</b>	<b>Pressure gauge alternatives</b>	
	None	
<b>VS</b>	Cover plate	
<b>A4</b>	Adapter for EN pressure gauge 1/4, without pressure gauge	
<b>010</b>	<b>Alternative pressure gauge scale</b>	
	MS pressure gauge	
<b>PSI</b>	psi	
<b>MPA</b>	MPa	
<b>011</b>	<b>Rotary knob</b>	
<b>LD</b>	Long rotary knob	
<b>012</b>	<b>Lockability</b>	
	None	
<b>AS</b>	Can be locked using accessories	
<b>E11</b>	With integrated lock	
<b>013</b>	<b>Type of mounting</b>	
	Without mounting bracket	
<b>WP</b>	Mounting bracket basic design	
<b>014</b>	<b>Flow direction</b>	
	Flow direction from left to right	
<b>Z</b>	Flow direction from right to left	





## Datasheet

Condensate drain, manual rotary, with pressure gauge



Condensate drain fully automatic, with pressure gauge



-  Flow rate  
11000 ... 17000 l/min
-  Temperature range  
-10 ... +60 °C
-  Operating pressure  
0.8 ... 20 bar
-  [www.festo.com](http://www.festo.com)



In this device, the filter and pressure regulator are combined in one unit. The sintered filter with water separator removes contamination, pipe scale, rust and condensate from the compressed air.

- Good regulation characteristics with minimal hysteresis and primary pressure compensation
- Good particle and condensate separation
- High flow rate
- Pilot actuated diaphragm regulator without internal air consumption
- Three pressure regulation ranges: 0.3 ... 7 bar, 0.5 ... 12 bar and 0.5 ... 16 bar
- Pressure gauge connection for different mounting options
- Available with manual, fully automatic or fully automatic, electrically actuated condensate drain
- Actuator lock to protect the set values from being adjusted
- Choice of 5 µm or 40 µm filter inserts
- New filter cartridges → 53

### General technical data

Pneumatic connection 1, 2		
Connecting plate [AG...]	G1, G1 1/4, G1 1/2 or G2	
Module without connecting thread/connecting plate [G]	-	
Design	Filter regulator with/without pressure gauge	
	Sintered filter with centrifugal separator	
	Piloted diaphragm regulator	
Regulator function	Constant output pressure with primary pressure compensation and secondary exhausting	
Type of mounting	Via accessories	
	In-line installation	
Mounting position	Vertical ±5°	
Grade of filtration [µm]	5	
	40	
Air purity class at the output	Compressed air to ISO 8573-1:2010 [6:4:4] (grade of filtration 5 µm)	
	Compressed air to ISO 8573-1:2010 [7:4:4] (grade of filtration 40 µm)	
Bowl guard	Integrated as metal bowl	
Condensate drain	Manual	
	Fully automatic	
	Fully automatic, electrically actuated	
Actuator lock	Rotary knob with latch, can be locked using accessories	
	Rotary knob with integrated lock	
Pressure regulation range	[D6] [bar]	0.3 ... 7
	[D7] [bar]	0.5 ... 12
	[D8] [bar]	0.5 ... 16
Max. pressure hysteresis [bar]	0.4	
Pressure indication	with pressure gauge	
Max. condensate volume [cm³]	400	

## Datasheet

Standard nominal flow rate $q_{nN}^{(1)}$ [l/min]					
Pneumatic connection	G1	G1 1/4	G1 1/2	G2	
Grade of filtration	5 $\mu\text{m}$	11000	11500	12000	14000
	40 $\mu\text{m}$	12000	12500	13000	17000

1) Dependent on the selected connecting plate; must be ordered separately as an accessory → Internet: ms12-ag  
 Measured at  $p_1 = 10$  bar and  $p_2 = 6$  bar,  $\Delta p = 0.5$  bar

• 125 l/min must be available for the fully automatic condensate drain to close correctly.

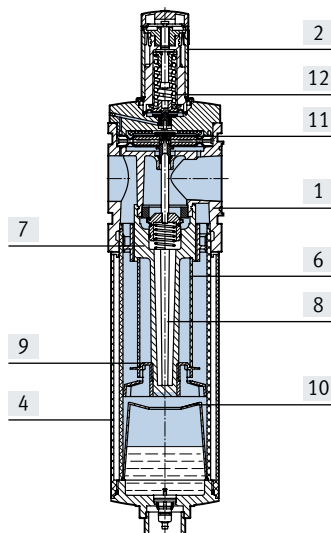
Operating and environmental conditions			
Condensate drain	Manual	Fully automatic	Fully automatic, electrically actuated
Operating pressure [bar]	0.8 ... 20	2 ... 12	0.8 ... 16
Operating medium	Compressed air to ISO 8573-1:2010 [–:4:–]	Compressed air to ISO 8573-1:2010 [7:4:–]	Compressed air to ISO 8573-1:2010 [–:4:–]
	Inert gases		
Ambient temperature [°C]	–10 ... +60	+5 ... +60	+1 ... +60
Temperature of medium [°C]	–10 ... +60	+5 ... +60	+1 ... +60
Storage temperature [°C]	–10 ... +60	–10 ... +60	+1 ... +60
Corrosion resistance class CRC <sup>1)</sup>	2		

1) More information: [www.festo.com/catalogue/ms-lfr](http://www.festo.com/catalogue/ms-lfr) → Support/Downloads.

Weight [g]		
Rotary knob	Without integrated lock	With integrated lock
Filter regulator with metal bowl	7000	7300
Filter regulator with metal bowl and electrically actuated condensate drain, fully automatic	7700	8000

### Materials

#### Sectional view



Filter regulator		
[1]	Housing	Die-cast aluminium
[2]	Rotary knob	PA
	Rotary knob with integrated lock	Aluminium
[4]	Metal bowl	Wrought aluminium alloy
[6]	Filter element	Sintered bronze
[7]	Spin disc	POM
[8]	Filter support	POM
[9]	Separating disc	POM
[10]	Stabilising disc	POM
[11]	Diaphragm	NBR
[12]	Spring	Steel
–	Seals	NBR

Datasheet

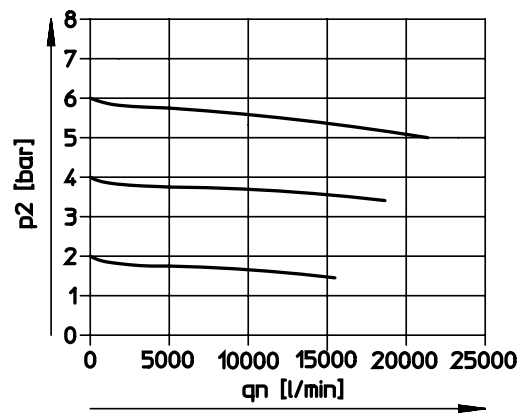
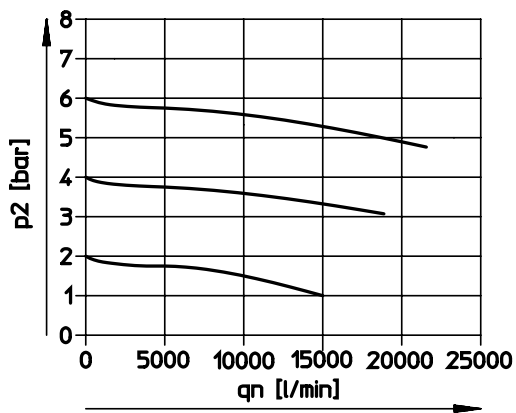
**Standard flow rate  $q_n$  as a function of output pressure  $p_2$  ( $p_1 = 10$  bar)**

Grade of filtration 40  $\mu$ m

Pneumatic connection G1 with connecting plate MS12-AGF

Pneumatic connection G1 1/4 with connecting plate MS12-AGG

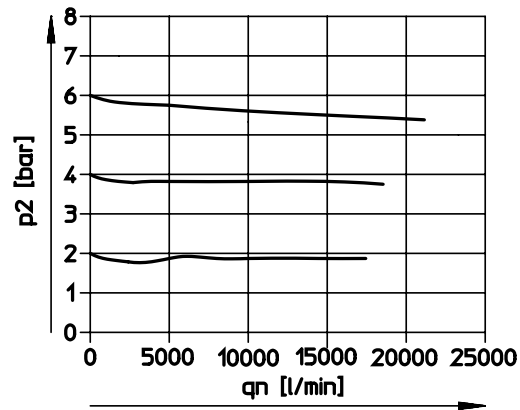
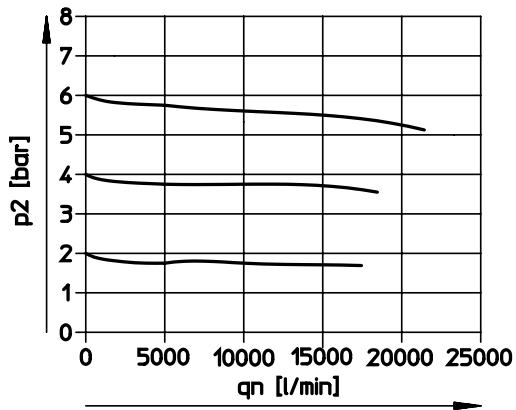
Input pressure  $p_1 = 10$  bar



Pneumatic connection G1 1/2 with connecting plate MS12-AGH

Pneumatic connection G2 with connecting plate MS12-AGI

Input pressure  $p_1 = 10$  bar



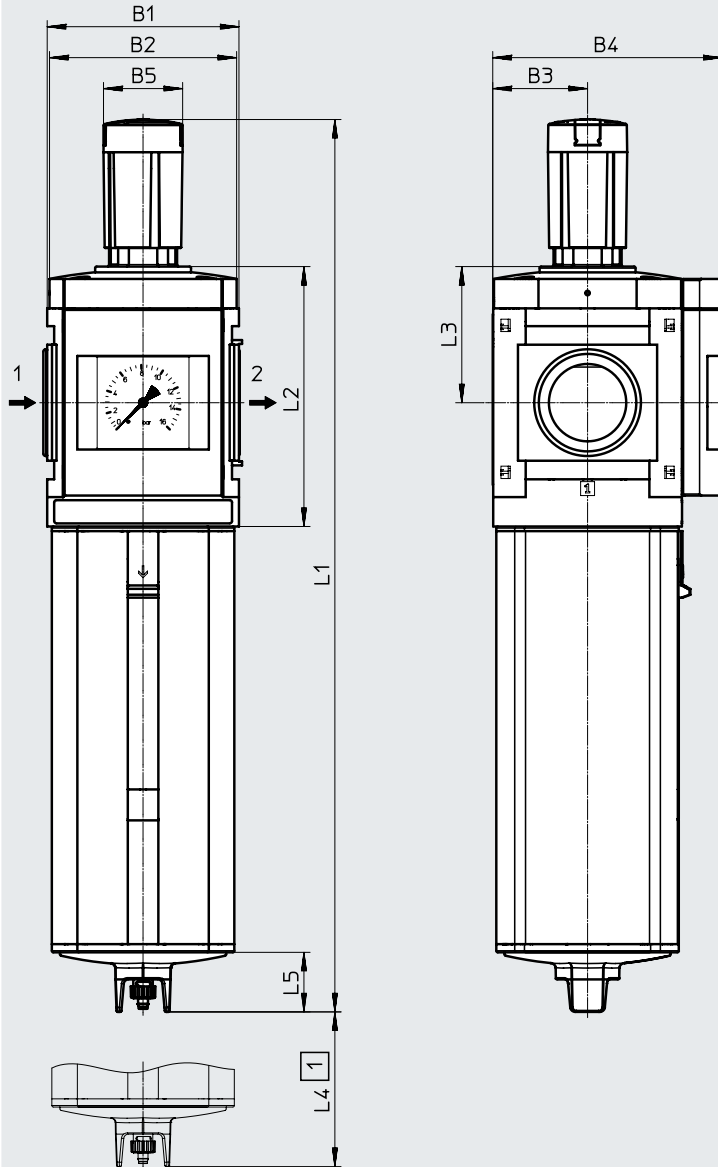


Datasheet

Dimensions – Basic version

Download CAD data → [www.festo.com](http://www.festo.com)

- [G] Module without connecting thread, without connecting plate
- [ ] Integrated MS pressure gauge with standard scale
- [AS] Rotary knob, long, with latch, can be locked using accessories



[1] Installation dimension

→ Flow direction

Type	B1	B2	B3	B4	B5 ∅	L1	L2	L3	L4	L5
MS12-LFR-G	124	122	61	148	51.2	577	168	88	250	39

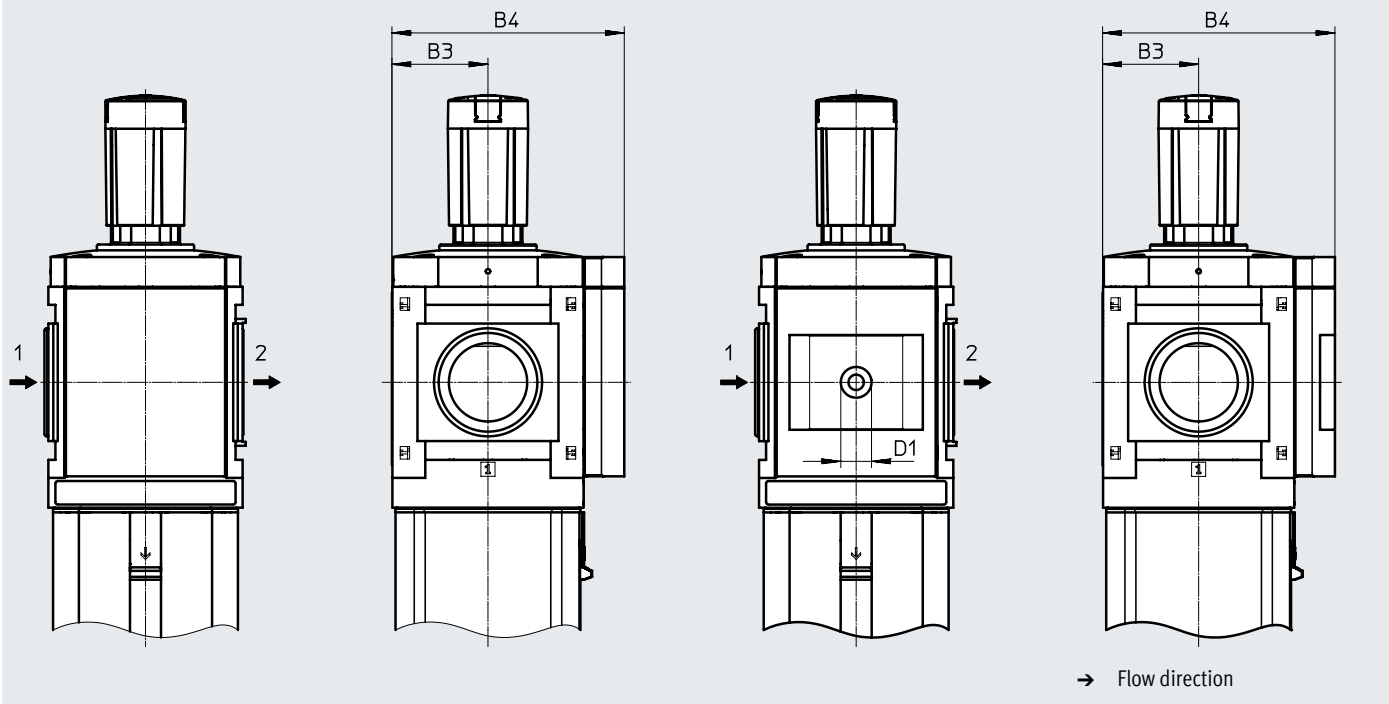
Datasheet

Dimensions – Pressure gauge alternatives

Download CAD data → [www.festo.com](http://www.festo.com)

[VS] Cover plate

[A4] Adapter for EN pressure gauge 1/4, without pressure gauge



Type	B3	B4	D1
MS12-LFR...-VS	61	148	-
MS12-LFR...-A4	61	148	G1/4

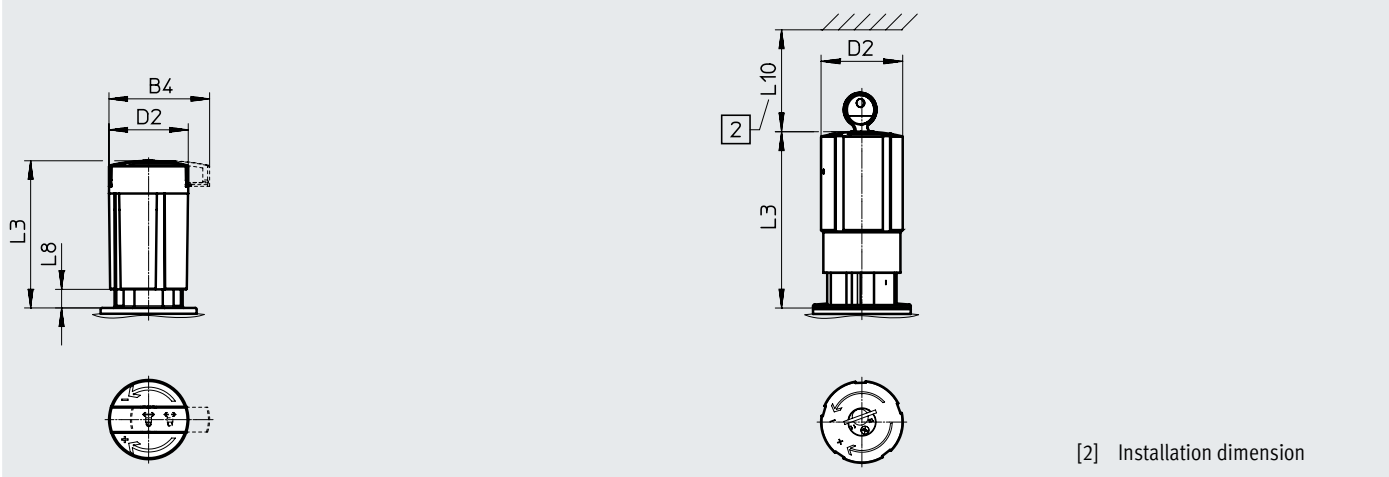
† Note: This product conforms to ISO 1179-1 and ISO 228-1.

Dimensions – Rotary knob

Download CAD data → [www.festo.com](http://www.festo.com)

[LD-AS] Rotary knob, long, with latch, can be locked using accessories

[E11] Rotary knob with integrated lock



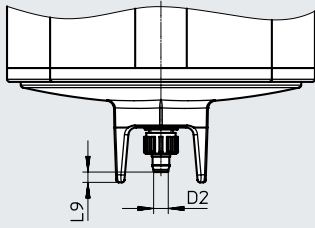
Type	B4	D2 ø	L3	L8	L10
MS12-LFR...-LD-AS	64.4	51.2	95	12	-
MS12-LFR...-E11	-	51.8	112	-	60

Datasheet

Dimensions – Condensate drain

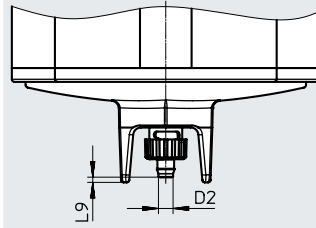
Download CAD data → [www.festo.com](http://www.festo.com)

[M] Manual rotary



Barbed connector for plastic tubing  
PUN(-H)-8x1.25

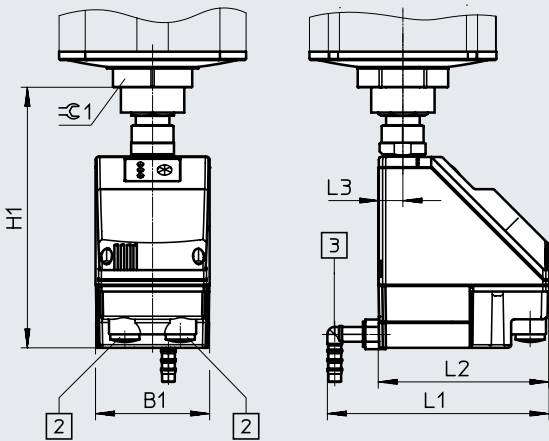
[V] Fully automatic



Barbed connector for plastic tubing  
PUN(-H)-8x1.25

[E2]/[E3]/[E4] Fully automatic, electrically actuated

Datasheets → Internet: [pwea](http://pwea)



Condensate drain PWEA:

- [2] Electrical connection: screw terminal PG9
- [3] Connection can be rotated 360° for plastic tubing PUN-H-12x2

Type	B1	D2 ∅	H1	L1	L2	L3	L9	⊕ 1
MS12-LFR...-M	-	5.6	-	-	-	-	4	-
MS12-LFR...-V	-	5.6	-	-	-	-	2	-
MS12-LFR...-E2/E3/E4	72	-	164	140	108	15	-	50

Ordering data

Size	Condensate drain	Grade of filtration 5 µm		Grade of filtration 40 µm	
		Part no.	Type	Part no.	Type

Pressure regulation range 0.5 ... 12 bar, metal bowl, integrated MS pressure gauge with standard scale, display unit [bar], rotary knob, long, with latch, can be locked using accessories

MS12	Fully automatic	537150	MS12-LFR-G-D7-CUV-LD-AS	537149	MS12-LFR-G-D7-EUV-LD-AS
------	-----------------	--------	-------------------------	--------	-------------------------

## Ordering data – Modular product system

Ordering table		Grid dimension [mm]	124	Conditions	Code	Enter code
Module no.	<b>535022</b>					
Series	Standard				<b>MS</b>	MS
Size	12				<b>12</b>	12
Function	Filter regulator				<b>-LFR</b>	-LFR
Pneumatic connection	Connecting plate G1				<b>-AGF</b>	
	Connecting plate G1 1/4				<b>-AGG</b>	
	Connecting plate G1 1/2				<b>-AGH</b>	
	Connecting plate G2				<b>-AGI</b>	
	Module without connecting thread, without connecting plate				<b>-G</b>	
Pressure regulation range	0.3 ... 7 bar				<b>-D6</b>	
	0.5 ... 12 bar				<b>-D7</b>	
	0.5 ... 16 bar				<b>-D8</b>	
Grade of filtration	40 µm				<b>-E</b>	
	5 µm				<b>-C</b>	
Bowl	Metal bowl				<b>-U</b>	-U
Condensate drain	Manual				<b>-M</b>	
	Fully automatic (P1 max. 12 bar)		[1]		<b>-V</b>	
	External fully automatic condensate drain, electric, 115 V AC, connection terminals				<b>-E2</b>	
	External fully automatic condensate drain, electric, 230 V AC, connection terminals				<b>-E3</b>	
	External fully automatic condensate drain, electric, 24 V DC, connection terminals				<b>-E4</b>	
Pressure gauge alternatives	MS pressure gauge					
	Cover plate				<b>-VS</b>	
	Adapter for EN pressure gauge 1/4, without pressure gauge				<b>-A4</b>	
Alternative pressure gauge scale	MS pressure gauge, bar					
	psi		[2]		<b>-PSI</b>	
	MPa		[2]		<b>-MPA</b>	
Rotary knob	None					
	Long rotary knob		[3]		<b>-LD</b>	
Locking option	Lockable using accessories		[4]		<b>-AS</b>	
	With integrated lock				<b>-E11</b>	
Type of mounting	Without mounting bracket					
	Mounting bracket standard design		[5]		<b>-WP</b>	
Flow direction	Flow direction from left to right					
	Flow direction from right to left				<b>-Z</b>	

- [1] V Not with pressure regulation range D8.  
 [2] PSI, MPA Not with pressure gauge alternatives VS, A4.  
 [3] LD Not with locking option E11.  
 [4] AS Only with rotary knob LD.  
 [5] WP Only with connecting plate AGF, AGG, AGH or AGI.

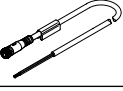

## Accessories

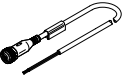

## Filter cartridge MS-LFP



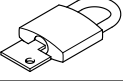
Ordering data			
Size	Grade of filtration [μm]	Part no.	Type
MS4	5 (colour: blue)	<b>534501</b>	<b>MS4-LFP-C</b>
	40 (colour: white)	<b>534502</b>	<b>MS4-LFP-E</b>
MS6	5 (colour: blue)	<b>534499</b>	<b>MS6-LFP-C</b>
	40 (colour: white)	<b>534500</b>	<b>MS6-LFP-E</b>
MS9	5	<b>570309</b>	<b>MS9-LFP-C</b>
	40	<b>570310</b>	<b>MS9-LFP-E</b>
MS12	5	<b>537143</b>	<b>MS12-LFP-C</b>
	40	<b>537144</b>	<b>MS12-LFP-E</b>

## Accessories

Ordering data – Connecting cable NEBU-M8					Datasheets → Internet: nebu	
	Electrical connection	Number of cores	Cable length [m]	Part no.	Type	
	M8x1, straight socket	3	2.5	★ 541333	NEBU-M8G3-K-2.5-LE3	
			5	★ 541334	NEBU-M8G3-K-5-LE3	
		4	2.5	541342	NEBU-M8G4-K-2.5-LE4	
	M8x1, angled socket	3	2.5	★ 541338	NEBU-M8W3-K-2.5-LE3	
			5	★ 541341	NEBU-M8W3-K-5-LE3	
		4	2.5	541344	NEBU-M8W4-K-2.5-LE4	

Ordering data – Connecting cable NEBU-M12					Datasheets → Internet: nebu	
	Electrical connection	Number of cores	Cable length [m]	Part no.	Type	
	M12x1, straight socket	4	2.5	★ 550326	NEBU-M12G5-K-2.5-LE4	
			5	★ 541328	NEBU-M12G5-K-5-LE4	
	M12x1, angled socket	4	2.5	550325	NEBU-M12W5-K-2.5-LE4	
			5	541329	NEBU-M12W5-K-5-LE4	

Ordering data – Pressure gauge MA						
	Nominal size	Pneumatic connection	Display range		Part no.	Type
			[bar]	[psi]		
	<b>Pressure gauge MA, DIN EN 837-1</b>					Datasheets → Internet: ma
	40	R1/4	0 ... 16	0 ... 232	187080	MA-40-16-R1/4-EN
		G1/4	0 ... 16	0 ... 232	183901	MA-40-16-G1/4-EN
	<b>Pressure gauge MA, DIN EN 837-1, with red-green range</b>					Datasheets → Internet: ma
	40	R1/8	0 ... 16	–	525726	MA-40-16-R1/8-E-RG
50	R1/4	0 ... 16	–	525729	MA-50-16-R1/4-E-RG	

Ordering data – Padlock LRVS-D			
	Weight [g]	Part no.	Type
	120	193786	LRVS-D