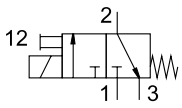



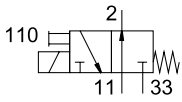
## Datasheet



MCH-3-1/8

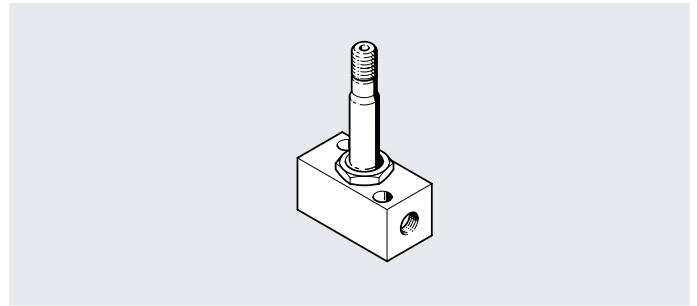


-  - Flow rate  
70 l/min  
160 l/min

MOCH-3-1/8



-  - Temperature range  
-5 ... +40°C
-  - Pressure  
0 ... 0.7 MPa



## Operation with different pressures

## Duty cycle

Up to an operating pressure of 5.5 MPa, 100% duty cycle is permissible; for the pressure range 0.55 ... 0.7 MPa the value is reduced to 40%.

General technical data	MOCH-3-1/8	MCH-3-1/8
Valve function	3/2, normally open, single solenoid	3/2, normally closed, single solenoid
Design	Poppet valve with spring return	
Sealing principle	Soft	
Reset method	Mechanical spring	
Actuation type	Electrical	
Type of control	Direct	
Direction of flow	Not reversible	
Manual override	Detenting	
Nominal width	[mm] 2.5	
Standard nominal flow rate	[l/min] 70	160
Type of mounting	Via through-hole	
Pneumatic connection	1	G1/8
	2	G1/8
	3	G1/8
Note on materials	RoHS-compliant	

## Operating and environmental conditions

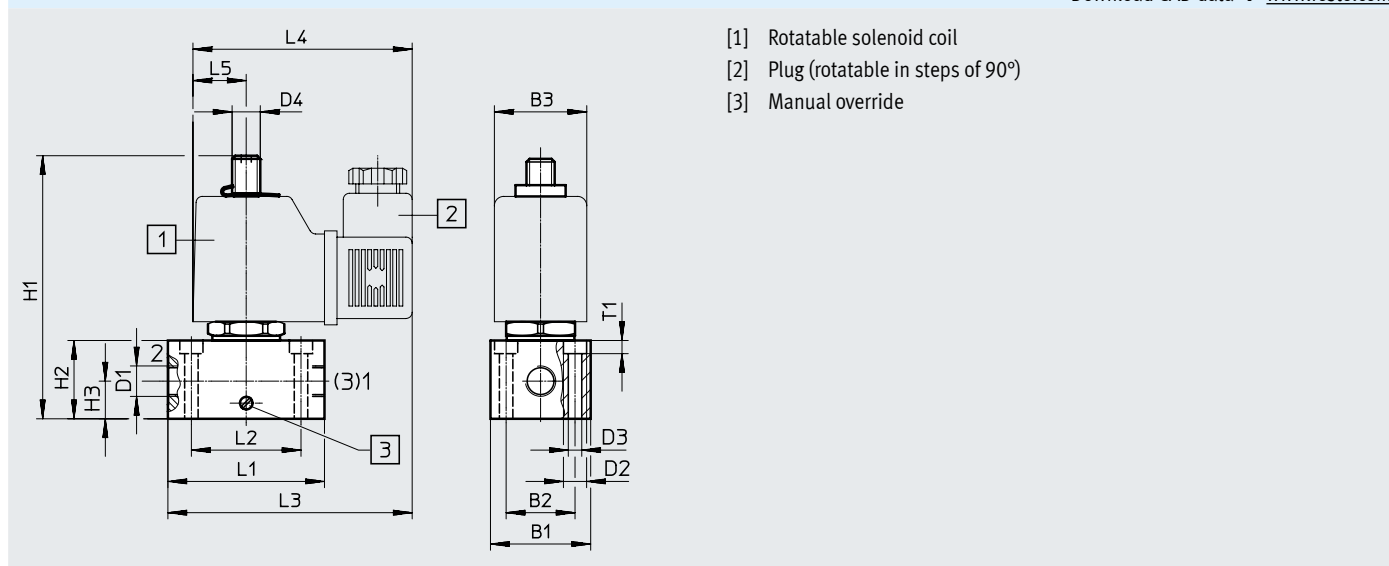
Operating medium		Compressed air to ISO 8573-1:2010 [7:4:4]
Operating pressure	[MPa]	0 ... 0.7
	[bar]	0 ... 7
Ambient temperature	[°C]	-5 ... +40
Temperature of medium	[°C]	-10 ... +60
Storage temperature	[°C]	-40 ... +100

## Datasheet

Electrical data											
Direct voltage	Operating voltage	[V DC]	12	24	42	96	110	220	240		
	Power consumption	[W]	11.7	11	12	11	12.7	15	17.9		
Alternating voltage	Operating voltage	[V AC]	12	24	42	48	110	120	220	240	380
		[Hz]	50	50	50/60	50	50/60	60	50/60	50	50/60
	Pick-up power	[VA]	30								
	Holding power	[VA]	22								
Duty cycle		[%]	100								
Degree of protection	IP65										

Switching times and frequencies			
Switching time	On	[ms]	12
	Off	[ms]	13

### Dimensions Download CAD data → [www.festo.com](http://www.festo.com)



Type	B1	B2	B3	D1	D2 ∅	D3 ∅	D4	H1	H2	H3	L1	L2	L3	L4	L5	T1
MCH-3-1/8	32	22	29.5	G1/8	8	4.5	G1/8	83	25	12	50	35	78	70	17	4.7
MOCH-3-1/8	32	22	29.5	G1/8	8	4.5	G1/8	84	25	12	50	35	78	70	17	4.8

Ordering data		Part no.	Type	
12		3/2-way solenoid valve, normally closed, single solenoid	2199	MCH-3-1/8
110		3/2-way solenoid valve, normally open, single solenoid	2211	MOCH-3-1/8