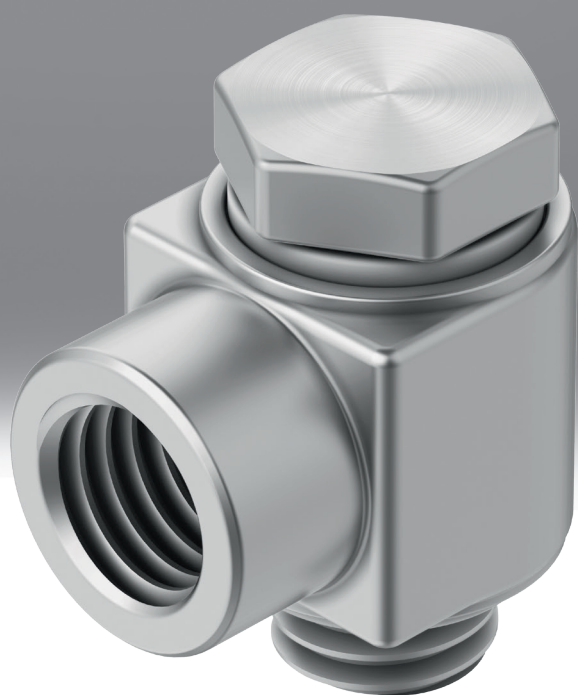


Fitting LJK, TJK

FESTO



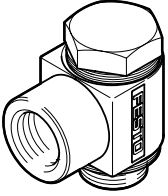
Characteristics

At a glance

Fitting with sealing ring.

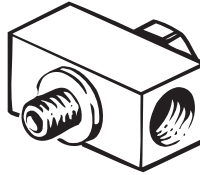
Series

[LJK] L-fitting



Elbow fitting with female thread

[TJK] T-fitting



T-fitting, swivelling, with female thread

Datasheet

General technical data

Pneumatic connection, port 1	Male thread M3	Male thread G1/8	Male thread G1/4	Male thread G3/8	Male thread G1/2
Pneumatic connection, port 2	Female thread M3	Female thread G1/8	Female thread G1/4	Female thread G3/8	Female thread G1/2

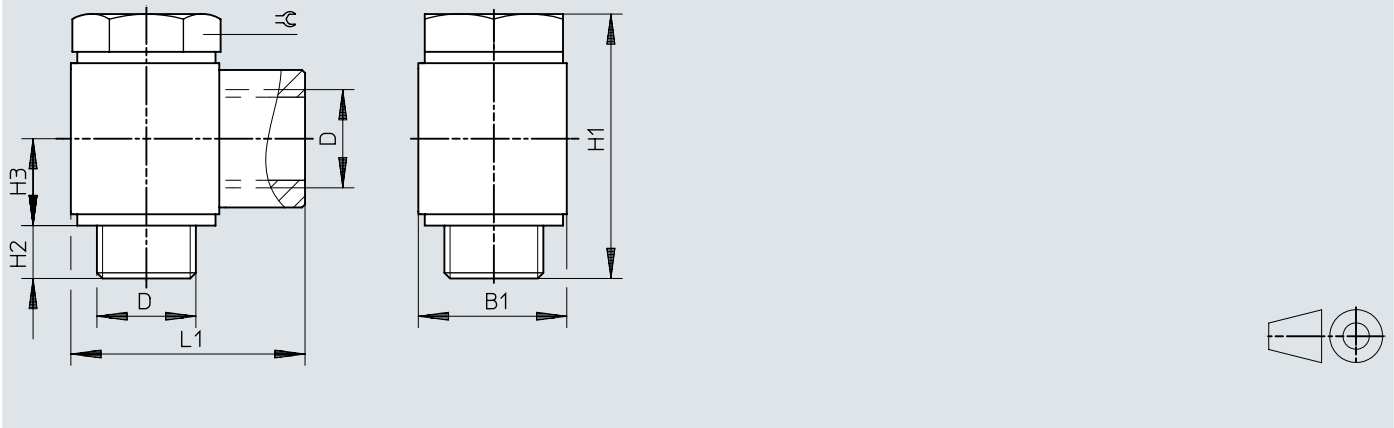
Materials

Material housing	Brass, nickel-plated, Die-cast zinc
Material hollow bolt	Anodised aluminium, Nickel-plated brass
Note on materials	RoHS-compliant
LABS (PWIS) conformity	VDMA24364-B1/B2-L

Dimensions

Dimensions – Elbow fitting LJK

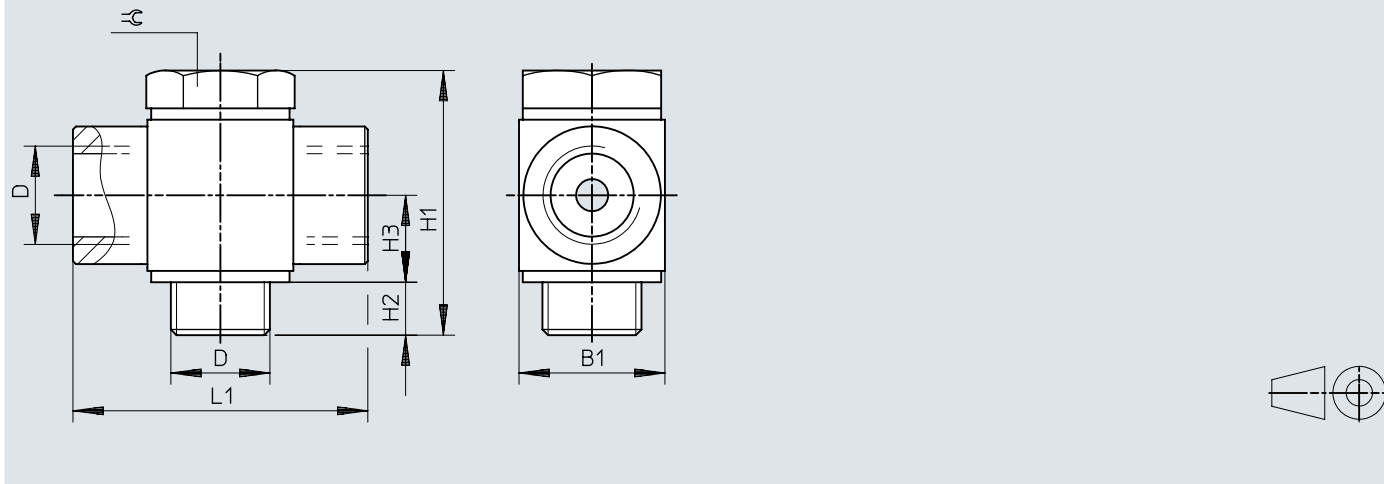
Download CAD data → www.festo.com



	D	B1	H1	H2	H3	L1	≅
LJK-1/8	G1/8	16	27,1	4,7	9,2	23,5	13
LJK-1/4	G1/4	20	34,3	5,7	11,8	31	17
LJK-3/8	G3/8	25	41,3	6,7	14,3	36,5	22
LJK-1/2	G1/2	30	46,6	7,5	17,05	44	27

Dimensions


Dimensions – T-fitting TJK

Download CAD data → www.festo.com


	D	B1	H1	H2	H3	L1	≡C
TJK-M3	M3	5	10	2	3,3	10	4,5
TJK-1/8	G1/8	16	27,1	4,7	9,2	28	13
TJK-1/4	G1/4	20	34,3	5,7	11,8	39	17
TJK-3/8	G3/8	25	41,3	6,7	14,3	43	22
TJK-1/2	G1/2	30	46,6	7,5	17,05	52	27

Ordering data

Ordering data – LJK

	Short type code	Pneumatic connection, port 1	Pneumatic connection, port 2	Part no.	Type
	LJK	Male thread G1/8	Female thread G1/8	4945	LJK-1/8
		Male thread G1/4	Female thread G1/4	4946	LJK-1/4
		Male thread G3/8	Female thread G3/8	4947	LJK-3/8
		Male thread G1/2	Female thread G1/2	4948	LJK-1/2

Ordering data – TJK

	Short type code	Pneumatic connection, port 1	Pneumatic connection, port 2	Part no.	Type
	TJK	Male thread M3	Female thread M3	15874	TJK-M3
		Male thread G1/8	Female thread G1/8	4949	TJK-1/8
		Male thread G1/4	Female thread G1/4	4950	TJK-1/4
		Male thread G3/8	Female thread G3/8	4951	TJK-3/8
		Male thread G1/2	Female thread G1/2	4952	TJK-1/2