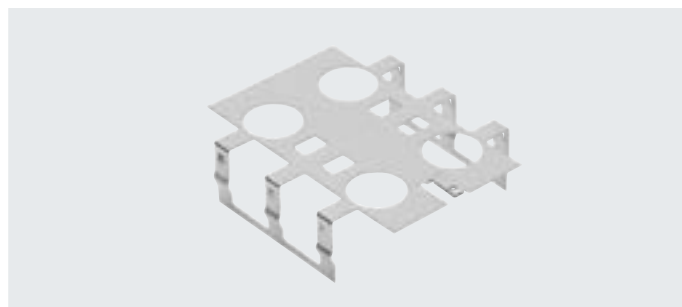


## Data sheet

## Screening plate CPX-AB-S

Protective devices provide the valve terminals with protection against environmental influences



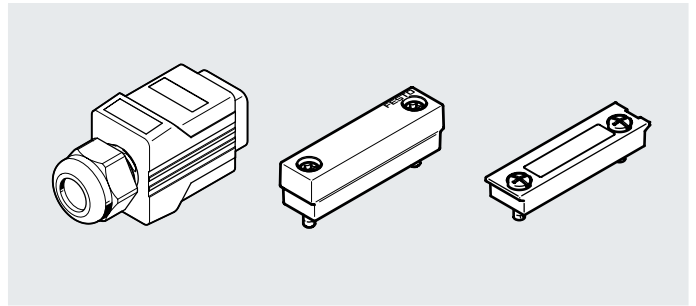
## Ordering data

Function	Weight [g]	Material	Dimensions [mm]	Part no.	Type
Screening plate, is placed on a CPX module and screens it electromagnetically.	20	Tin-plated bronze	59.9x50.5x16 (LxWxH)	<b>526184</b>	<b>CPX-AB-S-4-M12</b>

## Data sheet

### Cover CPX-...-AK

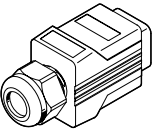
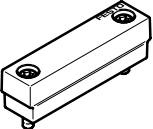
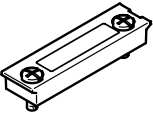
Protective devices provide the valve terminals with protection against environmental influences



General technical data		CPX-M-AK-C	CPX-M-AK-M	CPX-AK-P
Type				
Width	[mm]	30	12	–
Height	[mm]	58	13	–
Length	[mm]	22	49	–
Degree of protection to EN 60529		IP65, IP67 (assembled)		
Product weight	[g]	54	15	4

Materials		CPX-M-AK-C	CPX-M-AK-M	CPX-AK-P
Type				
Housing		Nickel-plated die-cast zinc	Die-cast aluminium	PA
Screws		–	Galvanised steel	Galvanised steel
Seal		NBR		
Note on materials		RoHS-compliant		

Operating and environmental conditions		CPX-M-AK-C	CPX-M-AK-M	CPX-AK-P
Type				
Ambient temperature	[°C]	–5 ... +50		
Storage temperature	[°C]	–40 ... +70	–	–
Relative humidity	[%]	5 ... 90, non-condensing		
Certification		UL94 V0	–	–

Ordering data		Part no.	Type
	Cover cap for RJ45 push-pull connection, for fieldbus node of electrical terminal CPX with RJ45 connection	548753	CPX-M-AK-C
	Cover for DIL switch and memory card, for fieldbus node of electrical terminal CPX in metal design with memory card	548754	CPX-M-AK-M
	Transparent cover for DIL switch and memory card, for fieldbus node of electrical terminal CPX in polymer design with memory card	548757	CPX-AK-P