

Solenoid valves VZWM-L

FESTO



Festo Core Range
Solves the majority of your automation tasks

With the Festo Core Range, we have selected the most important products and functions from our broad product catalogue, and added the quickest delivery.

Worldwide: Quickest delivery – wherever, whenever
Simply good: Expected high Festo quality
Fast: Easy and fast to select

The Core Range offers you the best value for your automation tasks.

Just look
for the
star!

Key features and type codes

General

- Indirectly actuated poppet valve with diaphragm seal
- Pipe connection G14 ... G2
- Flow rate 1400 ... 31000 l/min
- Available in brass or stainless steel casting
- Wide range of coils

001	Series
VZWM	Solenoid valve, process directional control valve

002	Directional control valve type
L	In-line valve

003	Valve function
M22C	2/2-way valve, normally closed

004	Pipe connection
G14	G1/4
G38	G3/8
G12	G1/2
G34	G3/4
G1	G1
G114	G1 1/4
G112	G1 1/2
G2	G2



005	Electrical connection
F4	Electric with armature tube for solenoid coil 8
F5	Electric with armature tube for solenoid valve 13

006	Corrosion protection
	Standard
R1	Stainless steel

Data sheet

Function



-  - Flow rate
1400 ... 31000 l/min
-  - Voltage
24 V DC
110, 230 V AC



General technical data		G1/4	G3/8	G1/2	G3/4	G1	G1 1/4	G1 1/2	G2	
Pipe connection		G1/4	G3/8	G1/2	G3/4	G1	G1 1/4	G1 1/2	G2	
Nominal width DN, brass housing		13.5	13.5	13.5	27.5	27.5	40	40	50	
Nominal width DN, stainless steel cast housing		13	13	13	25	25	40	40	50	
Valve function		2/2-way, single solenoid								
Design		Poppet valve with diaphragm seal								
Sealing principle		Soft								
Actuation type		Electrical								
Reset method		Pneumatic spring								
Type of control		Piloted								
Flow direction		Non-reversible								
Exhaust air function		Cannot be throttled								
Manual override		None								
Type of mounting		In-line installation								
Mounting position		Preferably upright								
Standard nominal flow rate	[l/min]	1400	2100	2400	10000	11700	24000	26400	31000	
Flow rate Kv	[m ³ /h]	1.6	2	2.4	8.5	10.7	21.3	27.4	39	
c value	[l/sbar]	6	8.8	9.8	39	41	75	82	110	
b value		0.3	0.35	0.37	0.5	0.57	0.6	0.67	0.68	
Pressure difference	[bar]	0.5	0.5	0.5	0.5	0.7	0.7	0.7	0.7	
Max. tightening torque	Connecting thread	[Nm]	35	60	105	200	350	450	540	620
	Cover screw	[Nm]	20	20	20	30	30	30	30	30
	Coil mounting	[Nm]	2	2	2	2	2	2	2	2

Data sheet

Materials											
Housing	Brass or stainless steel casting										
Diaphragm	NBR										
Armature tube	High-alloy steel										
Note on materials	Contains paint-wetting impairment substances										
Operating and environmental conditions											
Pipe connection			G1/4	G3/8	G1/2	G3/4	G1	G1 1/4	G1 1/2	G2	
Medium	Compressed air to ISO 8573-1:2010 [7:4:4]										
	Neutral fluids										
	Inert gases										
	Water										
Ambient temperature ¹⁾	[°C]	-10 ... +60									
Medium pressure	Gases	[bar]	0.5 ... 10				0.7 ... 10				
	Liquids	[bar]	0.5 ... 6				0.7 ... 6				
Temperature of medium	Gases	[°C]	-10 ... +60								
	Liquids	[°C]	5 ... 50								
Max. viscosity	[mm ² /s]	22									
CE marking (see declaration of conformity)	To EU Pressure Equipment Directive										
Corrosion resistance class CRC ²⁾	Brass	1									
	Stainless steel casting	3									

1) Note ambient temperature of solenoid coils

2) Corrosion resistance class CRC 1 to Festo standard FN 940070

Low corrosion stress. Dry indoor application or transport and storage protection. Also applies to parts behind covers, in the non-visible interior area, and parts which are covered in the application (e.g. drive trunnions).

Corrosion resistance class CRC 3 to Festo standard FN 940070

High corrosion stress. Outdoor exposure under moderate corrosive conditions. Externally visible parts with primarily functional surface requirements which are in direct contact with a normal industrial environment.

Valve switching times										
Pipe connection			G1/4	G3/8	G1/2	G3/4	G1	G1 1/4	G1 1/2	G2
Gases										
Switching time	Off	[ms]	10	10	10	12	12	20	20	21
	On	[ms]	8	8	8	15	15	26	26	62
Liquids										
Switching time	Off	[ms]	200	210	220	930	930	1900	2000	2800
	On	[ms]	100	110	110	400	400	1400	1400	2100
Switching time of variant R1	Off	[ms]	210	190	200	950	950	1900	2000	2800
	On	[ms]	80	110	110	420	300	1400	1400	2100

Electrical data										
Pipe connection			G1/4	G3/8	G1/2	G3/4	G1	G1 1/4	G1 1/2	G2
Electrical connection	F4, with armature tube for solenoid coil MD-2- ... -PA, order separately						F5, with armature tube for solenoid coil MH-2- ... -PA, order separately			
Operating voltage	Direct voltage	[V DC]	24							
	Alternating voltage	[V AC]	110/230 (50 ... 60 Hz)							
Characteristic coil data	Direct voltage	[W]	6.8							7.9
	Alternating voltage	[VA]	Pull: 14.5 Hold: 10.5						14	
Degree of protection to EN 60529	IP65 (with plug socket)									

Data sheet

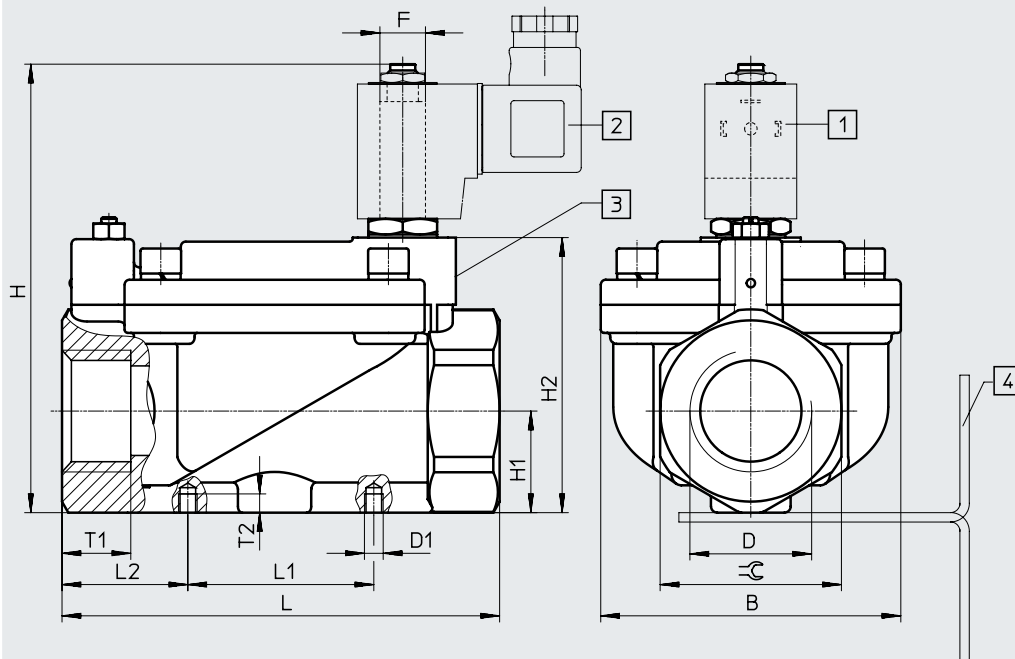
Weight [g]			
Brass housing		Stainless steel cast housing	
VZWM-...-G14-F4	500	VZWM-...-G14-F5-R1	400
VZWM-...-G38-F4	480	VZWM-...-G38-F5-R1	400
VZWM-...-G12-F4	450	VZWM-...-G12-F5-R1	360
VZWM-...-G34-F4	1270	VZWM-...-G34-F5-R1	1200
VZWM-...-G1-F4	1200	VZWM-...-G1-F5-R1	1100
VZWM-...-G114-F5	2850	VZWM-...-G114-F5-R1	2650
VZWM-...-G112-F5	2570	VZWM-...-G112-F5-R1	2400
VZWM-...-G2-F5	3800	VZWM-...-G2-F5-R1	3660

Data sheet

Dimensions

Download CAD data → www.festo.com

2/2-way valve



- [1] Plug socket connection to DIN EN 17301-803, type A
- [2] Plug socket MSSD-N
- [3] Space for inscription labels
- [4] Mounting bracket HRM-...

Type	B ±1.5	D	D1	H ±2	H1 ±1.5	H2 ±1	L ±2	L1 ±1.5	L2	F	T1	T2 ±0.5	≙
VZWM-...-G14-F4	48	G1/4	M4	85.5	15	49	67	25	21	F4	12	4	27
VZWM-...-G38-F4	48	G3/8	M4	85.5	15	49	67	25	21	F4	12	4	27
VZWM-...-G12-F4	48	G1/2	M4	85	15	49	67	25	21	F4	12	4	27
VZWM-...-G34-F4	70	G3/4	M6	107	24.2	70.5	96	40	28	F4	16	6	41
VZWM-...-G1-F4	70	G1	M6	107	24.2	70.5	96	40	28	F4	16	6	41
VZWM-...-G114-F5	96	G1 1/4	M6	143.5	32.5	88	140	59.5	40.25	F5	22	6	58
VZWM-...-G112-F5	96	G1 1/2	M6	143.5	32.5	88	140	59.5	40.25	F5	22	6	58
VZWM-...-G2-F5	112	G2	M6	159	38.5	103.5	168	59.5	54.25	F5	25	6	70
VZWM-...-G14-F5-R1	44	G1/4	M4	106	15.6	51	67	25	21	F5	-	4	27
VZWM-...-G38-F5-R1	44	G3/8	M4	106	15.6	51	67	25	21	F5	-	4	27
VZWM-...-G12-F5-R1	44	G1/2	M4	106	15.6	51	67	25	21	F5	-	4	27
VZWM-...-G34-F5-R1	70	G3/4	M6	126	24.2	70	96	40	28	F5	-	6	41
VZWM-...-G1-F5-R1	70	G1	M6	126	24.2	70	96	40	28	F5	-	6	41
VZWM-...-G114-F5-R1	96	G1 1/4	M6	145	34	89.5	140	59.5	40.25	F5	-	6	58
VZWM-...-G112-F5-R1	96	G1 1/2	M6	145	34	89.5	140	59.5	40.25	F5	-	6	58
VZWM-...-G2-F5-R1	112	G2	M6	159	38.5	104	168	59.5	54.25	F5	-	6	70

Data sheet

★ Core product range

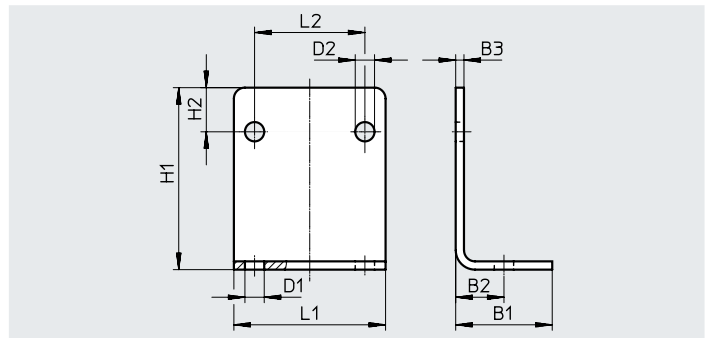
Ordering data		
Pipe connection	Part no.	Type
Brass housing		
G1/4	★ 546146	VZWM-L-M22C-G14-F4
G3/8	★ 546147	VZWM-L-M22C-G38-F4
G1/2	★ 546148	VZWM-L-M22C-G12-F4
G3/4	★ 546149	VZWM-L-M22C-G34-F4
G1	★ 546150	VZWM-L-M22C-G1-F4

Ordering data		
Pipe connection	Part no.	Type
Brass housing		
G1 1/4	546151	VZWM-L-M22C-G114-F5
G1 1/2	546152	VZWM-L-M22C-G112-F5
G2	546153	VZWM-L-M22C-G2-F5
Stainless steel cast housing		
G1/4	546162	VZWM-L-M22C-G14-F5-R1
G3/8	546163	VZWM-L-M22C-G38-F5-R1
G1/2	546164	VZWM-L-M22C-G12-F5-R1
G3/4	546165	VZWM-L-M22C-G34-F5-R1
G1	546166	VZWM-L-M22C-G1-F5-R1
G1 1/4	546167	VZWM-L-M22C-G114-F5-R1
G1 1/2	546168	VZWM-L-M22C-G112-F5-R1
G2	546169	VZWM-L-M22C-G2-F5-R1

Accessories

Mounting bracket HRM

Material:
Galvanised steel

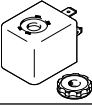
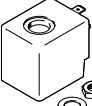


Dimensions and ordering data

B1	B2	B3	D1 ∅	D2 ∅	H1	H2	L1	L2 ±0.1	Weight [g]	Part no.	Type
25	12.5	2	6	5	37	10	40	25	39	9769	HRM-1
35	17.5	3	7	7	66	16	55	40	130	9770	HRM-2
47	23.5	3	9	7	87	23	75	59.5	246	9771	HRM-3

Ordering data – Solenoid coils

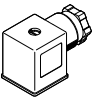
Data sheets → Internet: solenoid coil

Voltage		Part no.	Type
Solenoid coil for VZWM- ... -F4- ... ¹⁾			
	24 V DC	★ 549903	MD-2-24VDC-PA
	110 V AC, 50 ... 60 Hz	549904	MD-2-110VAC-PA
	230 V AC, 50 ... 60 Hz	549905	MD-2-230VAC-PA
Solenoid coil for VZWM- ... -F5- ... ¹⁾			
	24 V DC	549906	MH-2-24VDC-PA
	110 V AC, 50 ... 60 Hz	549907	MH-2-110VAC-PA
	230 V AC, 50 ... 60 Hz	549908	MH-2-230VAC-PA

1) Ambient temperature -20 ... 50°C

Ordering data – Plug socket

Data sheets → Internet: mssd-n

	Part no.	Type
 3-pin, square design, plug pattern to EN 175301-803, type A	★ 550067	MSSD-N