

## Limit switch attachments SRBE

**FESTO**



## Key features and product range overview

### Function

Limit switch attachments SRBE are used for electrical feedback and control of the position of process valves actuated using pneumatic quarter turn actuators. They are suitable for use in potentially explosive environments. They can be mounted

quickly and easily on quarter turn actuators with a port pattern to VDI/VDE 3845 using mounting adapters.

### Innovative

- Pre-assembled mounting adapter for ease of installation
- The trip cams can be set easily without additional tools
- Sturdy, corrosion-resistant design, ideal for use in harsh operating conditions
- Clearly visible 3D position indicator allows the current position of the quarter turn actuator to be quickly detected

### Versatile

- Worldwide certifications (ATEX, IECEX, cCSAus, INMETRO) for use in potentially explosive environments
- The type of protection of the flame-proof enclosure enables installation without safety barriers or NAMUR amplifier in potentially explosive environments
- Weather-tight housing for outdoor applications too
- Mechanical, inductive or magnetic switch variants for virtually all areas of application
- Two cable inputs for common power supply for the limit switch attachment and solenoid valve as standard

### Design

- Sturdy aluminium housing with two cable inputs
- Captive stainless steel screws on the housing cover
- Pre-assembled stainless steel mounting adapter 30x80 mm, shaft height 20 mm for ease of mounting on standard actuators to VDI/VDE 3845

- 3D OPEN/CLOSED position indicator
- Mechanical, inductive or magnetic switch variants
- Number of switches: 2
- IP67, NEMA 4/4x
- ATEX, IECEX, cCSAus, INMETRO
- SIL 2 to IEC 61508



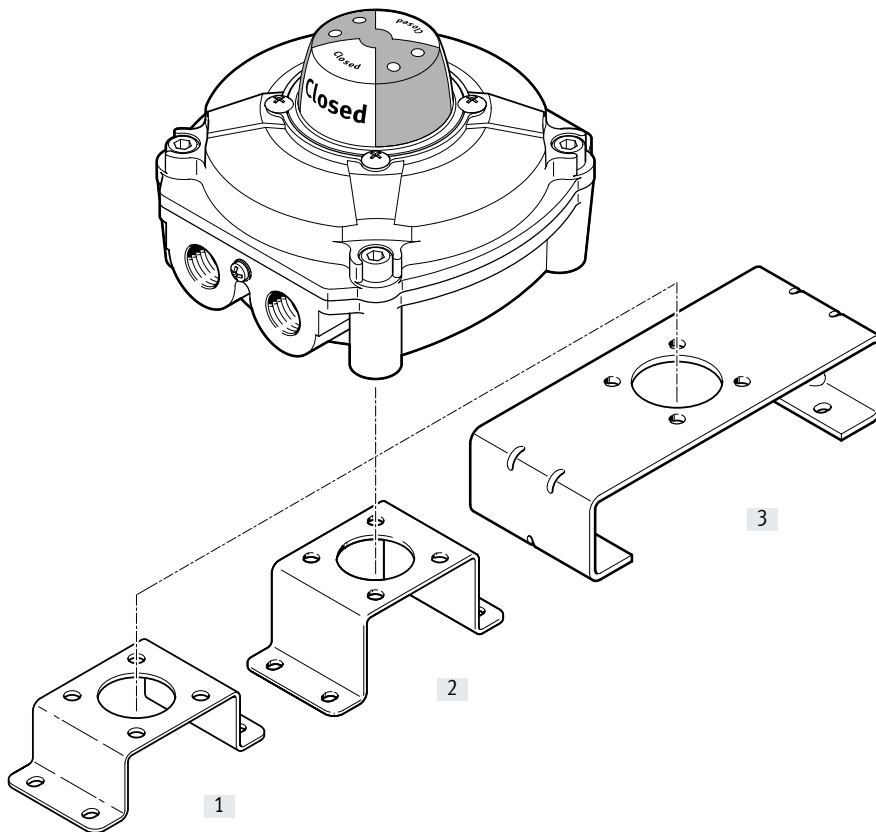
## Key features and product range overview

## Product range overview



| Measuring principle | Type                      | EX certifications    | Operating voltage range | Switching output    | Switching element function        |
|---------------------|---------------------------|----------------------|-------------------------|---------------------|-----------------------------------|
| Electromechanical   | SRBE-...-MW-22A-1W-...-EX | ATEX, IECEX, INMETRO | 0 ... 250 V AC          | Contacting          | Toggle switch, single-pole (SPDT) |
|                     | SRBE-...-MW-22A-1W-...-C1 | cCSAus               | 0 ... 30 V DC           |                     |                                   |
| Electromechanical   | SRBE-...-MW-22A-2W-...-EX | ATEX, IECEX, INMETRO | 0 ... 250 V AC          | Contacting          | Toggle switch, double-pole (DPDT) |
|                     | SRBE-...-MW-22A-2W-...-C1 | cCSAus               | 0 ... 30 V DC           |                     |                                   |
| Magnetic reed       | SRBE-...-R-2A-1W-...-EX   | ATEX, IECEX, INMETRO | 0 ... 240 V AC          | Contacting          | Toggle switch, single-pole (SPDT) |
|                     | SRBE-...-R-2A-1W-...-C1   | cCSAus               | 0 ... 30 V DC           |                     |                                   |
| Inductive           | SRBE-...-N-20N-ZC-...-EX  | ATEX, IECEX, INMETRO | 8.2 V DC                | NAMUR               | N/C contact                       |
|                     | SRBE-...-N-20N-ZC-...-C1  | cCSAus               |                         |                     |                                   |
| Inductive           | SRBE-...-N-1-P-...-EX     | ATEX, IECEX, INMETRO | 10 ... 30 V DC          | PNP                 | N/O contact                       |
|                     | SRBE-...-N-1-P-...-C1     | cCSAus               |                         |                     |                                   |
| Inductive           | SRBE-...-N-1-N-...-EX     | ATEX, IECEX, INMETRO | 10 ... 30 V DC          | NPN                 | N/O contact                       |
|                     | SRBE-...-N-1-N-...-C1     | cCSAus               |                         |                     |                                   |
| Inductive           | SRBE-...-N-1-ZU-...-EX    | ATEX, IECEX, INMETRO | 5 ... 60 V DC           | Contactless, 2-wire | N/O contact                       |
|                     | SRBE-...-N-1-ZU-...-C1    | cCSAus               |                         |                     |                                   |

Peripherals overview



| Accessories                                    | Brief description   | → Page/Internet |
|--|---|-----------------|
| [1] Mounting adapter<br>DARQ-K-X1-A1-F05-20-R1 | <ul style="list-style-type: none"> <li>• Mounting adapter for mounting limit switch attachments on quarter turn actuators with hole pattern 30 x 80 mm, shaft height 20 mm</li> <li>• Included in the scope of delivery of the limit switch attachment and pre-assembled</li> </ul> | 16              |
| [2] Mounting adapter<br>DARQ-K-X1-A1-F05-30-R1 | <ul style="list-style-type: none"> <li>• Mounting adapter for mounting limit switch attachments on quarter turn actuators with hole pattern 30 x 80 mm, shaft height 30 mm</li> <li>• Can be ordered separately as an accessory</li> </ul>  | 16              |
| [3] Mounting adapter<br>DARQ-K-X1-A2-F05-30-R1 | <ul style="list-style-type: none"> <li>• Mounting adapter for mounting limit switch attachments on quarter turn actuators with hole pattern 30 x 130 mm, shaft height 30 mm</li> <li>• Can be ordered separately as an accessory</li> </ul>   | 16              |

## Type codes SRBE

|      |                         |
|------|-------------------------|
| 001  | Series                  |
| SRBE | Limit switch attachment |

|     |             |
|-----|-------------|
| 002 | Design type |
| C   | Sensor box  |

|     |  |
|-----|--|
| 003 | Mechanical interface   |
| A3  | Mounting bridge, hole pattern 30 x 80 mm, shaft height 20 mm |

|     |                               |
|-----|-------------------------------|
| 004 | Display type                  |
| YR  | Position indicator yellow/red |

|     |                 |
|-----|-----------------|
| 005 | Measuring range |
| 90  | 0 ... 90°       |

|     |                                      |
|-----|--------------------------------------|
| 006 | Sensor principle                     |
| MW  | Floating contact, changeover contact |
| N   | Proximity sensor, inductive          |
| R   | With contacts (reed)                 |

|     |                           |
|-----|---------------------------|
| 007 | Nominal operating voltage |
| 1   | 24 V DC                   |
| 2A  | 110 V AC/50-60 Hz         |
| 20N | 8.2 V DC (Namur)          |
| 22A | 250 V AC                  |

|     |                     |
|-----|---------------------|
| 008 | Electrical output 1 |
| N   | NPN                 |
| P   | PNP                 |
| 1W  | 1-pin toggle switch |
| 2W  | 2-pin toggle switch |
| ZC  | 2-wire N/C contact  |
| ZU  | 2-wire N/O contact  |

|     |                       |
|-----|-----------------------|
| 009 | Electrical connection |
| C2  | Screw terminal        |

|     |                   |
|-----|-------------------|
| 010 | Connecting thread |
| M20 | M20               |
| N12 | 1/2 NPT           |

|     |                         |
|-----|-------------------------|
| 011 | Certification           |
| C1  | CSA mark (Canada)       |
| EX  | EX certification (ATEX) |

## Data sheet

- Measuring principle:  
electromagnetic or magnetic reed
- Switching element function:  
toggle switch, single-pole (SPDT)  
and double-pole (DPDT)
- For DC and AC voltage
- Pre-assembled mounting adapter  
30 x 80 mm, shaft height 20 mm



| General technical data              |     |                       |            |              |
|-------------------------------------|-----|-----------------------|------------|--------------|
| Type SRBE-...                       |     | -MW-...-1W            | -MW-...-2W | -R           |
| Setting range for angular detection | [°] | 0 ... 90              |            |              |
| Based on standard                   |     | ISO 5211              |            |              |
|                                     |     | VDI/VDE 3845          |            |              |
|                                     |     |                       |            | EN 60947-5-2 |
| Type of mounting                    |     | On flange to ISO 5211 |            |              |
|                                     |     | With mounting bracket |            |              |

| Electrical characteristic data |      |                            |                            |                            |
|--------------------------------|------|----------------------------|----------------------------|----------------------------|
| Type SRBE-...                  |      | -MW-...-1W                 | -MW-...-2W                 | -R                         |
| Measuring principle            |      | Mechanical/electrical      |                            | Magnetic reed              |
| Switching output               |      | Contacting                 |                            |                            |
| Switching element function     |      | Toggle switch, single-pole | Toggle switch, double-pole | Toggle switch, single-pole |
| Operating voltage range        | [V]  | 0 ... 250                  |                            | 0 ... 240                  |
| Alternating current AC         |      |                            |                            |                            |
| Max. output current AC         | [mA] | 3000 (at 250 V)            |                            | 416 (at 240 V)             |
| Operating voltage range        | [V]  | 0 ... 30                   |                            |                            |
| Direct current DC              |      |                            |                            |                            |
| Max. output current DC         | [mA] | 6000 (at 30 V)             |                            | 3000 (at 30 V)             |

| Electromechanics                                      |                    |                           |            |        |
|---|--------------------|---------------------------|------------|--------|
| Type SRBE-...   |                    | -MW-...-1W                | -MW-...-2W | -R     |
| Electrical connection                                 |                    | 10-pin                    | 14-pin     | 10-pin |
|   |                    | Screw terminal            |            |        |
| Nominal conductor cross section that can be connected | [mm <sup>2</sup> ] | 0.25 ... 2.5              |            |        |
| Cable connector                                       |                    | M20x1.5 for ...-C2M20-... |            |        |
|   |                    | 1/2 NPT for ...-C2N12-... |            |        |

| Materials         |  |
|-------------------|--|
| Housing           | Epoxy-coated die-cast aluminium              |
| Shaft             | High-alloy stainless steel                   |
| Screws            | High-alloy stainless steel                   |
| Mounting bracket  | High-alloy stainless steel                   |
| Seals             | NBR  |
| Pointer           | PC   |
| Note on materials | RoHS-compliant                               |
|                   | Contains paint-wetting impairment substances |

## Data sheet

| Operating and environmental conditions            |              |  |             |                      |
|---|--------------|--|-------------|----------------------|
| Type SRBE-...                                     |              | -MW-...-1W   | -MW-...-2W  | -R                   |
| Ambient temperature                               | [°C]         | -20 ... +60  |             |                      |
| Storage temperature                               | [°C]         | -20 ... +60  |             |                      |
| Shock resistance                                  |              | Shock test with severity level 2 to FN 942017-5 and EN 60068-2-27                |             |                      |
| Vibration resistance                              |              | Transport application test with severity level 2 to FN 942017-4 and EN 60068-2-6 |             |                      |
| CE marking  |              | To EU Low Voltage Directive <sup>1)</sup>  |             |                      |
| Safety Integrity Level (SIL)                      |              | SIL 2  |             |                      |
|   |              |  |             |                      |
| Certifications for EX variants                    |              | -MW-...-1W   | -MW-...-2W  | -R                   |
| Degree of protection                              |              | IP67   |             |                      |
| CE marking  |              | To EU Explosion Protection Directive (ATEX)                                      |             |                      |
| ATEX category gas                                 |              | II 2G  |             |                      |
| ATEX category for dust                            |              | II 2D  |             |                      |
| Explosion-proof ambient temperature               |              | -20 ... +60  |             |                      |
| Type of ignition protection for gas               |              | Ex d IIC T6 Gb   |             |                      |
| Type of ignition protection for dust              |              | Ex tb IIIC T75°C Db  |             | Ex tb IIIC T61°C Db  |
| Explosion protection certification outside the EU |              | EPL Db (IEC Ex)  |             |                      |
|   |              | EPL Db (BR)  |             |                      |
|   |              | EPL Db (CN)  |             |                      |
|   |              | EPL Gb (IECEX)   |             |                      |
|   |              | EPL Gb (BR)  |             |                      |
|   |              | EPL Gb (CN)  |             |                      |
| Certificate issuing authority                     |              | 18-GA4BO-0430X   |             | -                    |
|   |              | 18-GA4BO-0431X   |             | -                    |
|   |              | -  |             | 18-GA4BO-0518X       |
|   |              | -  |             | 18-GA4BO-0519X       |
|   |              | DNV 16.0067X   |             |                      |
|   |              | FTZU 15 ATEX 0095X   |             |                      |
|   |              | GYJ 16.1497X   |             |                      |
|   |              | IECEX FTZU 15.0014X  |             |                      |
|   | KCC-18-GA4BO |  |             |                      |
|   |              |  |             |                      |
| Certifications for ...C1 variants                 |              | -MW-...-1W   | -MW-...-2W  | -R                   |
| Degree of protection                              |              | IP67   |             |                      |
|   |              | NEMA 4/4X  |             |                      |
| Type of ignition protection for gas               |              | AEx d IIB T5 Gb  |             |                      |
|   |              | Ex d IIB T5 Gb   |             |                      |
|   |              |  |             | AEx nA IIC T5 Gc     |
|   |              |  |             | Ex nA IIC T5 Gc      |
| Type of ignition protection for dust              |              | AEx tb IIIC T108°C Db  |             |                      |
|   |              | Ex tb IIIC T108°C Db   |             |                      |
| Explosion protection certification outside the EU |              | Class I, Div. 1 (CA)   |             |                      |
|   |              | Class I, Div. 1 (US)   |             |                      |
|   |              |  |             | Class I, Div. 2 (CA) |
|   |              |  |             | Class I, Div. 2 (US) |
|   |              | Class II, Div. 1 (CA)  |             |                      |
|   |              | Class II, Div. 1 (US)  |             |                      |
|   |              | Class III (CA)   |             |                      |
|   |              | Class III (US)   |             |                      |
|   |              | EPL Db (CA)  |             |                      |
|   |              | EPL Db (US)  |             |                      |
|   |              | EPL Gb (CA)  |             |                      |
|   |              | EPL Gb (US)  |             |                      |
|   |              |  |             | EPL Gc (CA)          |
|   |              |  | EPL Gc (US) |                      |
| Certificate issuing authority                     |              | CSA 263311   |             |                      |

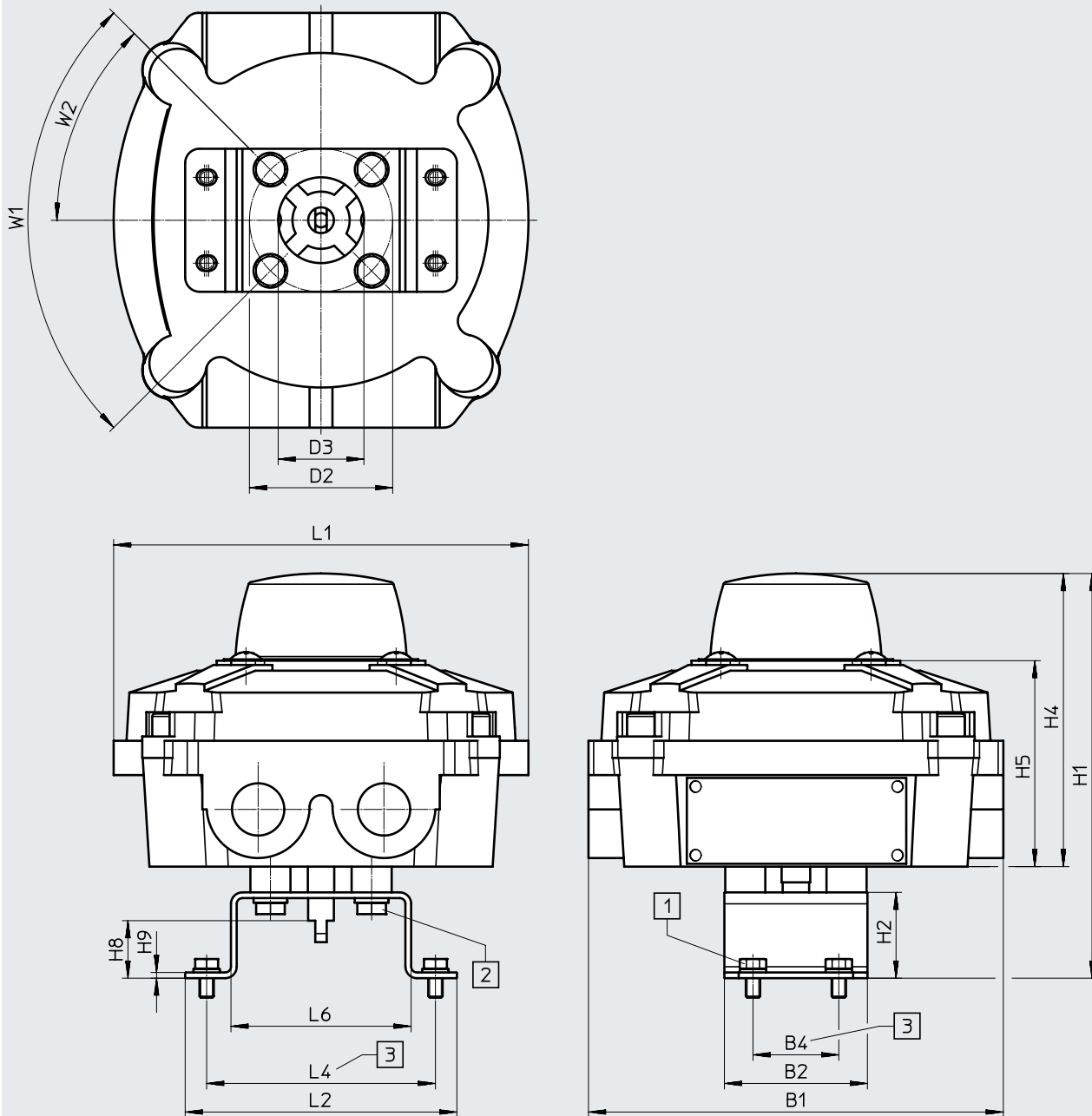
1) For information about the area of use, see the EC declaration of conformity at: [www.festo.com/catalogue/SRBE](http://www.festo.com/catalogue/SRBE) → Support/Downloads.

If the devices are subject to usage restrictions in residential, commercial or light-industrial environments, further measures for the reduction of the emitted interference may be necessary.

Data sheet

Dimensions

Download CAD data → [www.festo.com](http://www.festo.com)



[1] Screw M5x8 (4x)

[2] Screw M6x10 (4x)

[3] Flange hole pattern F05 to ISO 5211

| SRBE                       | B1  | B2 | B4 | D2<br>∅ | D3<br>∅ | H1    | H2<br>+0.5 | H4    |
|----------------------------|-----|----|----|---------|---------|-------|------------|-------|
| With DARQ-KX1-A1-F05-20-R1 | 145 | 50 | 30 | 50      | 30      | 141.5 | 30         | 102.5 |
| With DARQ-KX1-A1-F05-30-R1 |     |    |    |         |         | 151.5 | 40         |       |

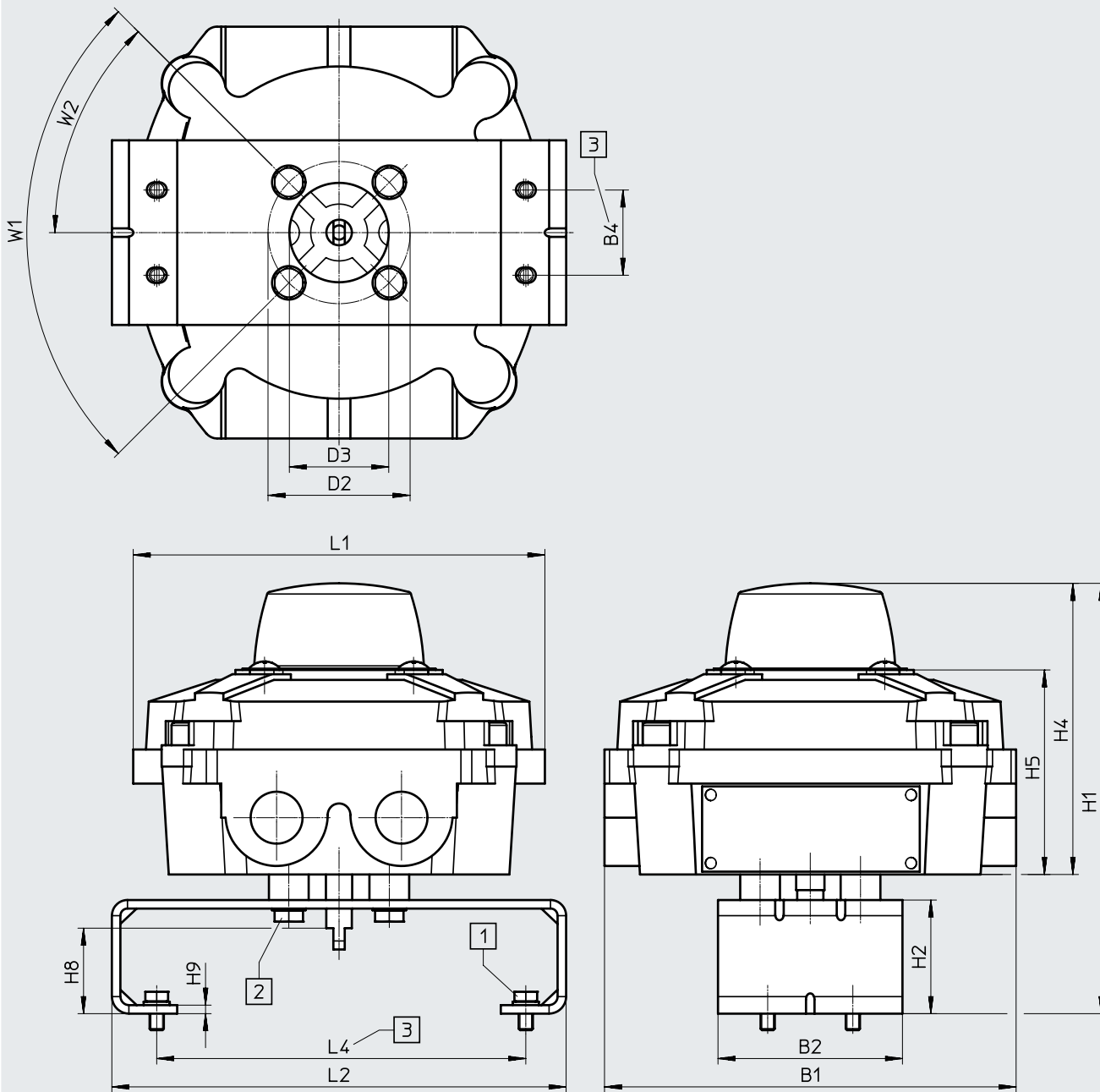
| SRBE                       | H5 | H8 | H9 | L1  | L2 | L4 | L6 | W1  | W2  |
|----------------------------|----|----|----|-----|----|----|----|-----|-----|
| With DARQ-KX1-A1-F05-20-R1 | 72 | 20 | 2  | 145 | 95 | 80 | 63 | 90° | 45° |
| With DARQ-KX1-A1-F05-30-R1 |    | 30 |    |     |    |    |    |     |     |



Data sheet

Dimensions

Download CAD data → [www.festo.com](http://www.festo.com)



[1] Screw M5x8 (4x)

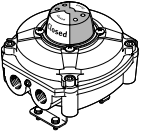
[2] Screw M6x10 (4x)

[3] Flange hole pattern F05 to ISO 5211

| SRBE                       | B1  | B2 | B4 | D2<br>∅ | D3<br>∅ | H1    | H2<br>+0.5 | H4    |
|----------------------------|-----|----|----|---------|---------|-------|------------|-------|
| With DARQ-KX1-A2-F05-30-R1 | 145 | 65 | 30 | 50      | 35      | 151.5 | 40         | 102.5 |

| SRBE                       | H5 | H8 | H9 | L1  | L2  | L4  | W1  | W2  |
|----------------------------|----|----|----|-----|-----|-----|-----|-----|
| With DARQ-KX1-A2-F05-30-R1 | 72 | 30 | 3  | 145 | 160 | 130 | 90° | 45° |

## Data sheet

| Ordering data  | Brief description  | Dimensions<br>Mounting adapter<br>[mm] | Weight<br>[g] | Part no.       | Type                                    |
|--|--|--|---------------|----------------|---|
|  | Limit switch attachment including pre-assembled mounting adapter | 30x80, H: 20                           | 1700          | <b>3471008</b> | <b>SRBE-CA3-YR90-MW-22A-1W-C2N12-EX</b> |
|  |  |  |               | <b>3471009</b> | <b>SRBE-CA3-YR90-MW-22A-1W-C2M20-EX</b> |
|  |  |  |               | <b>3471010</b> | <b>SRBE-CA3-YR90-MW-22A-2W-C2N12-EX</b> |
|  |  |  |               | <b>3471011</b> | <b>SRBE-CA3-YR90-MW-22A-2W-C2M20-EX</b> |
|  |  |  |               | <b>3471020</b> | <b>SRBE-CA3-YR90-R-2A-1W-C2N12-EX</b>   |
|  |  |  |               | <b>3471021</b> | <b>SRBE-CA3-YR90-R-2A-1W-C2M20-EX</b>   |
|  |  |  |               | <b>3998917</b> | <b>SRBE-CA3-YR90-MW-22A-1W-C2N12-C1</b> |
|  |  |  |               | <b>3998918</b> | <b>SRBE-CA3-YR90-MW-22A-2W-C2N12-C1</b> |
|  |  |  |               | <b>3998923</b> | <b>SRBE-CA3-YR90-R-2A-1W-C2N12-C1</b>   |

## Data sheet

- Inductive measuring principle
- Switching outputs PNP, NPN, 2-wire DC, NAMUR
- Pre-assembled mounting adapter  
30 x 80 mm, shaft height 20 mm



| General technical data              |     | -1-P                  | -1-N | -1-ZU | -20N         |
|-------------------------------------|-----|-----------------------|------|-------|--------------|
| Type SRBE-...                       |     |                       |      |       |              |
| Setting range for angular detection | [°] | 0 ... 90              |      |       |              |
| Based on standard                   |     | ISO 5211              |      |       |              |
|                                     |     | VDI/VDE 3845          |      |       |              |
|                                     |     | EN 60947-5-2          |      |       | EN 60947-5-6 |
| Type of mounting                    |     | On flange to ISO 5211 |      |       |              |
|                                     |     | With mounting bracket |      |       |              |

| Electrical characteristic data |        | -1-P                           | -1-N | -1-ZU               | -20N  |
|--------------------------------|--------|--------------------------------|------|---------------------|-------|
| Type SRBE-...                  |        |                                |      |                     |       |
| Measuring principle            |        | Inductive                      |      |                     |       |
| Switching output               |        | PNP                            | NPN  | Contactless, 2-wire | NAMUR |
| Switching element function     |        | N/O contact                    |      |                     |       |
| Operating voltage range        | [V DC] | 10 ... 30                      |      | 5 ... 60            | 8.2   |
| Voltage drop                   | [V]    | ≤ 3                            |      | ≤ 5                 | –     |
| Max. output current            | [mA]   | 100                            |      |                     |       |
| No-load supply current         | [mA]   | ≤ 15                           |      | –                   | 3     |
| Residual current               | [mA]   | 0 ... 0.5                      |      | 0 ... 1             | –     |
| Minimum load current           | [mA]   | –                              |      | 4                   | –     |
| Reverse polarity protection    |        | For all electrical connections |      |                     |       |
| Short circuit current rating   |        | Pulsed                         |      | –                   | –     |

| Electromechanics                                      |                                 |
|---|---------------------------------|
| Electrical connection                                 | 10-pin                          |
|   | Screw terminal                  |
| Nominal conductor cross section that can be connected | [mm <sup>2</sup> ] 0.25 ... 2.5 |
| Cable connector                                       | M20x1.5 for ...-C2M20-...       |
|   | 1/2 NPT for ...-C2N12-...       |

| Materials         |  |
|-------------------|--|
| Housing           | Epoxy-coated die-cast aluminium              |
| Shaft             | High-alloy stainless steel                   |
| Screws            | High-alloy stainless steel                   |
| Mounting bracket  | High-alloy stainless steel                   |
| Seals             | NBR  |
| Pointer           | PC   |
| Note on materials | RoHS-compliant                               |
|                   | Contains paint-wetting impairment substances |

## Data sheet

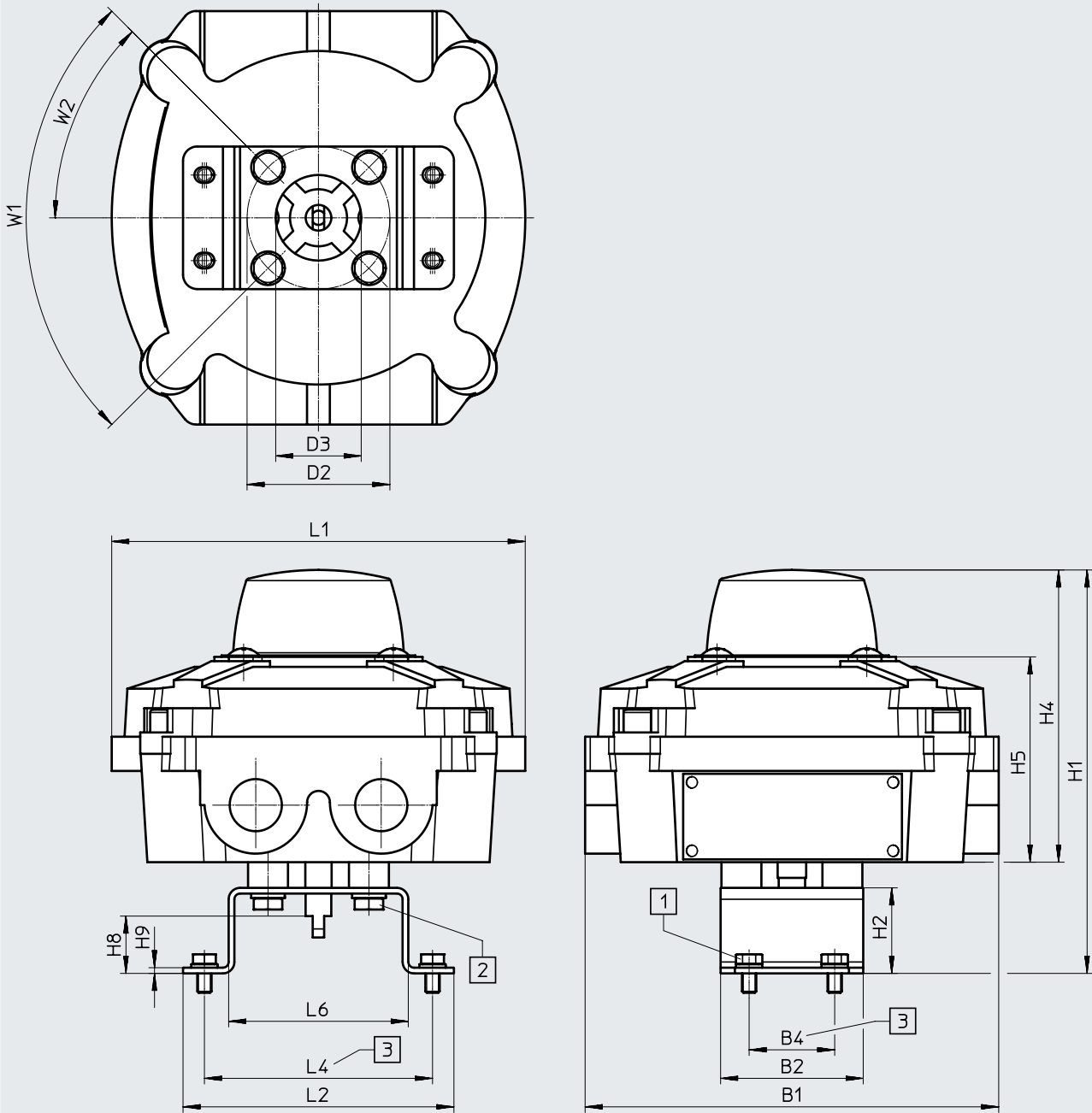
| Operating and environmental conditions            |                     |  |
|---|---------------------|--|
| Type SRBE-...                                     |                     |  |
| Ambient temperature                               | [°C]                | -20 ... +60  |
| Storage temperature                               | [°C]                | -20 ... +60  |
| CE marking  |                     | To EU EMC Directive <sup>1)</sup>  |
| Certification                                     |                     | RCM  |
| Shock resistance                                  |                     | Shock test with severity level 2 to FN 942017-5 and EN 60068-2-27                |
| Vibration resistance                              |                     | Transport application test with severity level 2 to FN 942017-4 and EN 60068-2-6 |
| Safety Integrity Level (SIL)                      |                     | SIL 2  |
|   |                     |  |
| Certifications for EX variants                    |                     | -1-ZU  |
| Degree of protection                              |                     | IP67   |
| CE marking  |                     | To EU Explosion Protection Directive (ATEX)                                      |
| ATEX category gas                                 |                     | II 2G  |
| ATEX category for dust                            |                     | II 2D  |
| Explosion-proof ambient temperature               |                     | -20 ... +60  |
| Type of ignition protection for gas               |                     | Ex d IIC T6 Gb   |
| Type of ignition protection for dust              |                     | Ex tb IIIC T61°C Db  |
| Explosion protection certification outside the EU |                     | Ex tb IIIC T75°C Db  |
|   |                     | EPL Db (IEC Ex)  |
|   |                     | EPL Db (BR)  |
|   |                     | EPL Db (CN)  |
|   |                     | EPL Gb (IECEX)   |
|   |                     | EPL Gb (BR)  |
| Certificate issuing authority                     |                     | EPL Gb (CN)  |
|   |                     | 18-GA4BO-0516X   |
|   |                     | 18-GA4BO-0517X   |
|   |                     | DNV 16.0067X   |
|   |                     | FTZU 15 ATEX 0095X   |
|   |                     | GYJ 16.1497X   |
|   | IECEX FTZU 15.0014X |  |
|   | KCC-18-GA4BO        |  |
|   |                     |  |
| Certifications for ...-C1 variants                |                     |  |
| Degree of protection                              |                     | IP67   |
|   |                     | NEMA 4/4X  |
| Type of ignition protection for gas               |                     | AEx d IIB T5 Gb  |
|   |                     | Ex d IIB T5 Gb   |
|   |                     | AEx nA IIC T5 Gc   |
|   |                     | Ex nA IIC T5 Gc  |
| Type of ignition protection for dust              |                     | AEx tb IIIC T108°C Db  |
|   |                     | Ex tb IIIC T108°C Db   |
| Explosion protection certification outside the EU |                     | Class I, Div. 1 (CA)   |
|   |                     | Class I, Div. 1 (US)   |
|   |                     | Class I, Div. 2 (CA)   |
|   |                     | Class I, Div. 2 (US)   |
|   |                     | Class II, Div. 1 (CA)  |
|   |                     | Class II, Div. 1 (US)  |
|   |                     | Class III (CA)   |
|   |                     | Class III (US)   |
|   |                     | EPL Db (CA)  |
|   |                     | EPL Db (US)  |
|   |                     | EPL Gb (CA)  |
|   |                     | EPL Gb (US)  |
|   |                     | EPL Gc (CA)  |
|   |                     | EPL Gc (US)  |
| Certificate issuing authority                     |                     | CSA 263311   |

1) For information about the area of use, see the EC declaration of conformity at: [www.festo.com/catalogue/SRBE](http://www.festo.com/catalogue/SRBE) → Support/Downloads.  
If the devices are subject to usage restrictions in residential, commercial or light-industrial environments, further measures for the reduction of the emitted interference may be necessary.

Data sheet

Dimensions

Download CAD data → [www.festo.com](http://www.festo.com)



[1] Screw M5x8 (4x)

[2] Screw M6x10 (4x)

[3] Flange hole pattern F05 to ISO 5211

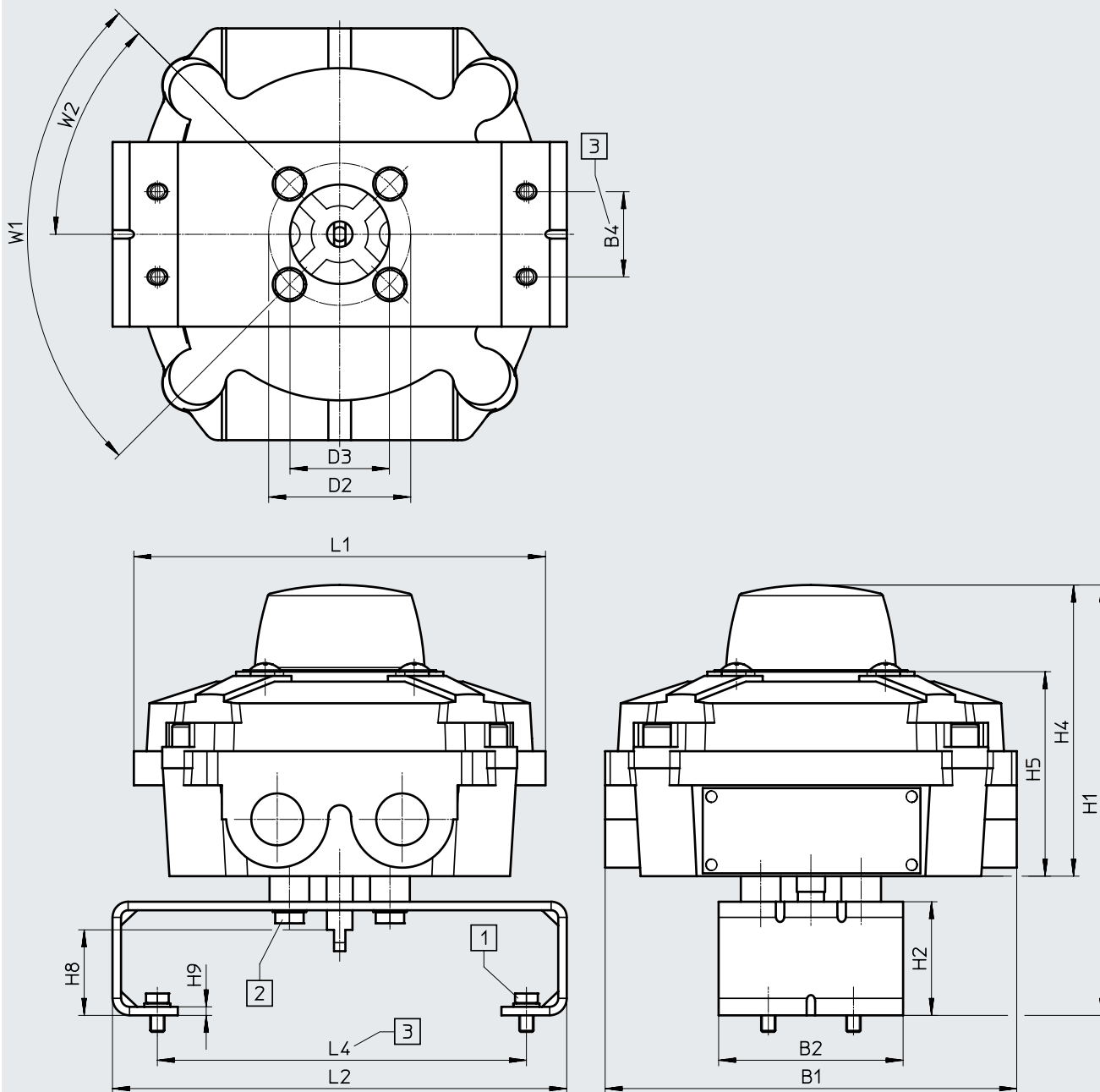
| SRBE                       | B1  | B2 | B4 | D2<br>∅ | D3<br>∅ | H1    | H2<br>+0.5 | H4    |
|----------------------------|-----|----|----|---------|---------|-------|------------|-------|
| With DARQ-KX1-A1-F05-20-R1 | 145 | 50 | 30 | 50      | 30      | 141.5 | 30         | 102.5 |
| With DARQ-KX1-A1-F05-30-R1 |     |    |    |         |         | 151.5 | 40         |       |

| SRBE                       | H5 | H8 | H9 | L1  | L2 | L4 | L6 | W1  | W2  |
|----------------------------|----|----|----|-----|----|----|----|-----|-----|
| With DARQ-KX1-A1-F05-20-R1 | 72 | 20 | 2  | 145 | 95 | 80 | 63 | 90° | 45° |
| With DARQ-KX1-A1-F05-30-R1 |    | 30 |    |     |    |    |    |     |     |

Data sheet

Dimensions

Download CAD data → [www.festo.com](http://www.festo.com)



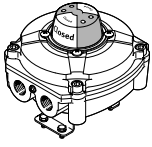
[1] Screw M5x8 (4x)

[2] Screw M6x10 (4x)

[3] Flange hole pattern F05 to ISO 5211

|                             |     |    |    |         |         |       |            |       |
|-----------------------------|-----|----|----|---------|---------|-------|------------|-------|
| SRBE                        | B1  | B2 | B4 | D2<br>∅ | D3<br>∅ | H1    | H2<br>+0.5 | H4    |
| With DARQ-K-X1-A2-F05-30-R1 | 145 | 65 | 30 | 50      | 35      | 151.5 | 40         | 102.5 |
| SRBE                        | H5  | H8 | H9 | L1      | L2      | L4    | W1         | W2    |
| With DARQ-K-X1-A2-F05-30-R1 | 72  | 30 | 3  | 145     | 160     | 130   | 90°        | 45°   |

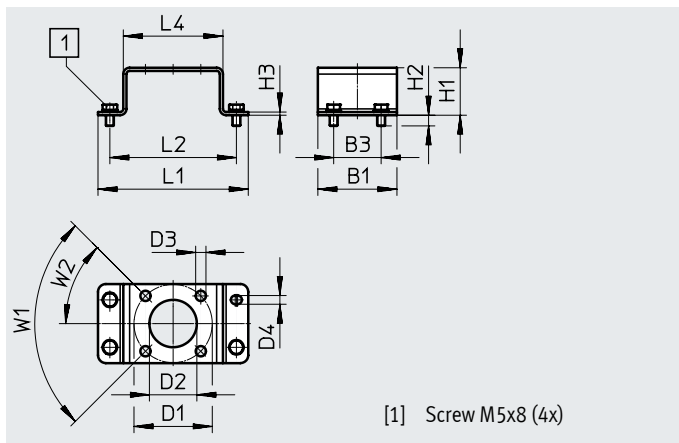
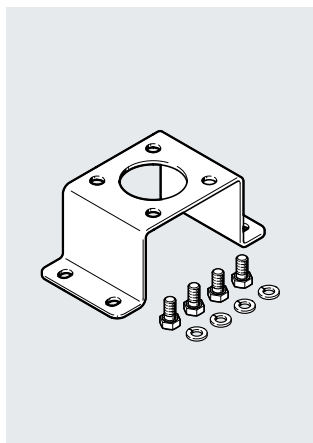
## Data sheet

| Ordering data   | Brief description  | Dimensions<br>Mounting adapter<br>[mm] | Weight<br>[g] | Part no. | Type                            |
|---|--|--|---------------|----------|---------------------------------|
|  | Limit switch attachment including pre-assembled mounting adapter | 30x80, H: 20                           | 1700          | 3471012  | SRBE-CA3-YR90-N-20N-ZC-C2N12-EX |
|   |  |  |               | 3471013  | SRBE-CA3-YR90-N-20N-ZC-C2M20-EX |
|   |  |  |               | 3471014  | SRBE-CA3-YR90-N-1-P-C2N12-EX    |
|   |  |  |               | 3471015  | SRBE-CA3-YR90-N-1-P-C2M20-EX    |
|   |  |  |               | 3471016  | SRBE-CA3-YR90-N-1-N-C2N12-EX    |
|   |  |  |               | 3471017  | SRBE-CA3-YR90-N-1-N-C2M20-EX    |
|   |  |  |               | 3471018  | SRBE-CA3-YR90-N-1-ZU-C2N12-EX   |
|   |  |  |               | 3471019  | SRBE-CA3-YR90-N-1-ZU-C2M20-EX   |
|   |  |  |               | 3998919  | SRBE-CA3-YR90-N-20N-ZC-C2N12-C1 |
|   |  |  |               | 3998920  | SRBE-CA3-YR90-N-1-P-C2N12-C1    |
|   |  |  |               | 3998921  | SRBE-CA3-YR90-N-1-N-C2N12-C1    |
|   |  |  |               | 3998922  | SRBE-CA3-YR90-N-1-ZU-C2N12-C1   |

## Accessories

### Mounting adapter DARQ-K-X1-A1-...

- Mounting adapter for mounting on standard actuators to VDI/VDE 3845
- Retaining screws included in the scope of delivery
- Size 30x80
- Material: High-alloy stainless steel
- Contains paint-wetting impairment substances, RoHS-compliant



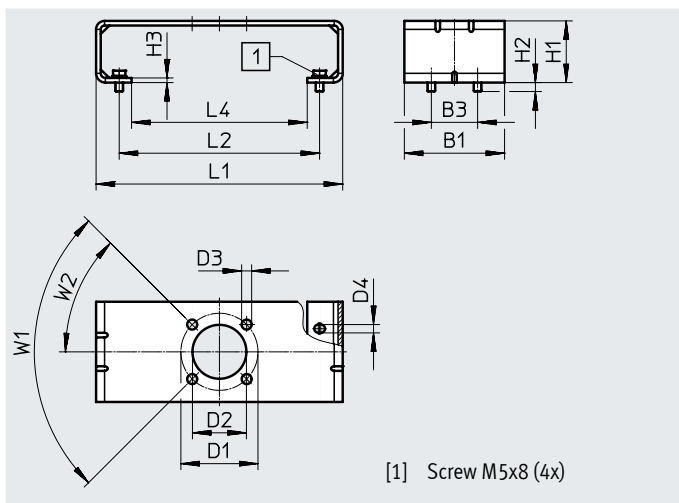
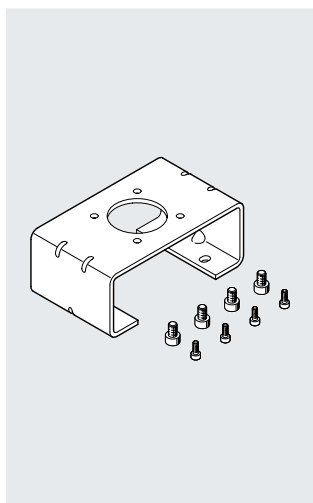
[1] Screw M5x8 (4x)

#### Dimensions and ordering data

| B1 | B3 | D1<br>∅ | D2<br>∅ | D3<br>∅ | D4<br>∅ | H1<br>+0.5 | H2  | H3 | L1 | L2 | L4 | W1  | W2  | Weight<br>[g] | Part no. | Type                   |
|----|----|---------|---------|---------|---------|------------|-----|----|----|----|----|-----|-----|---------------|----------|------------------------|
| 50 | 30 | 50      | 30      | 6.5     | 5.5     | 30         | 6.8 | 2  | 95 | 80 | 63 | 90° | 45° | 350           | 3636269  | DARQ-K-X1-A1-F05-20-R1 |
|    |    |         |         |         |         | 40         |     |    |    |    |    |     |     | 380           | 3636270  | DARQ-K-X1-A1-F05-30-R1 |

### Mounting adapter DARQ-K-X1-A2-...

- Mounting adapter for mounting on standard actuators to VDI/VDE 3845
- Retaining screws included in the scope of delivery
- Size 30x130
- Material: High-alloy stainless steel
- Contains paint-wetting impairment substances, RoHS-compliant



[1] Screw M5x8 (4x)

#### Dimensions and ordering data

| B1 | B3 | D1<br>∅ | D2<br>∅ | D3<br>∅ | D4<br>∅ | H1<br>+0.5 | H2  | H3 | L1  | L2  | L4  | W1  | W2  | Weight<br>[g] | Part no. | Type                   |
|----|----|---------|---------|---------|---------|------------|-----|----|-----|-----|-----|-----|-----|---------------|----------|------------------------|
| 65 | 30 | 50      | 35      | 6.5     | 5.4     | 40         | 5.8 | 3  | 160 | 130 | 114 | 90° | 45° | 460           | 3886114  | DARQ-K-X1-A2-F05-30-R1 |