

## Branching modules/distributor blocks MS-FRM, MS series

**FESTO**



Festo Core Range  
Solves the majority of your automation tasks

With the Festo Core Range, we have selected the most important products and functions from our broad product catalogue, and added the quickest delivery.

Worldwide: Quickest delivery – wherever, whenever  
Simply good: Expected high Festo quality  
Fast: Easy and fast to select

The Core Range offers you the best value for your automation tasks.

Just look  
for the  
star!

## Key features

### Service unit components of the MS series

Solutions for every application

With its large product range, highly effective components and a wide choice of functions, the MS series from Festo offers a complete concept for compressed air preparation. It is suitable for simple standard applications as well as for application-specific solutions with very high quality requirements.

Available as individual components, pre-assembled combinations ex-stock, application-specific combinations or complete turnkey solutions. The five sizes in the MS series achieve maximum flow rates with minimum space requirements.

Freely combinable functional modules

Pressure regulators, on/off and soft-start valves with safety function, filters, pressure and flow sensors, dryers, sensors and lubricators can be assembled into a suitable solution for every task. Thanks to the modular structure the components can be combined as required. The simple connection system saves time because there is no need to disassemble the entire combi-

nation when replacing individual modules.

Many of the components are also UL and ATEX certified.

CAD models and configurator

Convenient tools for planning and selecting application-specific individual devices and combinations. The product configurator can be used to configure customised solutions quickly and to transfer the order data without any hassle.

Engineering tools

Selection tool for choosing the right service unit combination without oversizing, and with the right air purity class:

→ [www.festo.com/engineering/service-unit](http://www.festo.com/engineering/service-unit)

#### Air quality

This program supports configuring an appropriate service unit. Please insert the required air cleanliness either by your application or an ISO code or by direct selection of air filters.

**Selection criteria: Application**

Filter combination is proposed based upon your selected application

- standard pneumatics operation of valves and cylinders, e.g. in automotive industry, secondary packaging
- mining and building industry applications without special air cleanliness requirements
- application of pressure operated tools and machines: pneumatic hammer, air engine, positioning with proportional valve
- electronic, flatpanel and solar industry, textile and paper production application with residual oil content <math>< 0.5 \text{ mg/m}^3</math>
- painting, powder coating, air bearing application with residual oil content <math>< 0.01 \text{ mg/m}^3</math>
- food and beverage industry, optics application with residual oil content <math>< 0.003 \text{ mg/m}^3</math> reduction of oil vapours and aromas

**Selection criteria: ISO-class**

Filter combination is proposed based upon the air cleanliness class according to ISO 8573-1:2010

particle : 4 \* : oil

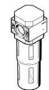
**ISO**

\* Downstream from the compressor the water content is assumed to be ISO class 4. Better classes can be achieved by applying an adsorption dryer PDAD or a membrane dryer LDM1

**Direct filter selection**

Independent selection of filter combination

- 40 µm Filter
- 5 µm Filter
- 1 µm Fine Filter
- 0.01 µm Micro Filter \*
- Active Carbon Filter



\* To enhance the filter lifetime and in consequence the maintenance interval arrange a 1 µm Fine Filter in front of the 0.01 µm Micro Filter as a preliminary filter.

### Integrated sensors

Pressure and flow sensors



- Maximum machine availability thanks to controlled processes
- Reliable compressed air preparation and system supply
- Integrated or stand-alone
- Easy to connect with M8/M12 plug

### Safety functions

Soft-start/quick exhaust valves

MS6-SV/MS9-SV



- Fast and reliable exhausting of systems up to Performance Level e, certified to EN ISO 13849-1
- Integrated soft-start function

### Saving energy

Service unit combinations MSE6



- Fully automatic monitoring and regulation of the compressed air supply
- Compressed air automatically shut off in stand-by mode
- Detection and notification of leakages
- Condition monitoring of relevant process data

Intelligent mix of sizes



- Optimum flow rate with a size that is up to 18% smaller
- Excellent energy efficiency
- Cost-optimised combinations – save up to 30%!

### Size differences

Size	MS2	MS4	MS6	MS9	MS12
Grid dimension [mm]	25	40	62	90	124
Connection sizes	M5, QS-6	G1/8, G1/4, G3/8	G1/4, G3/8, G1/2, G3/4	G1/2, G3/4, G1, G1 1/4, G1 1/2	G1, G1 1/4, G1 1/2, G2
Standard nominal flow rate $q_{nN}^{1)}$ [l/min]	350	1800	6500	20000	22000

1) Using pressure regulator MS-LR as an example

## Key features

### Note

#### Information

The next few pages provide a brief overview of the product range for the MS series service unit components.

You can find detailed information and all the technical data in the documentation for the relevant service unit component.

Accessories such as connecting plates or mounting brackets can be ordered either via the configurator or separately.

#### Design of a service unit combination





The order of the individual components within a service unit is relevant for safety and functionality. The service unit components cannot be combined in any order in the flow direction. They are subject to restrictions and rules.

The configurator for the service unit MSB is a reliable and convenient way of combining the individual service unit components and ensures compliance with the applicable rules. As a result, you get a fully assembled unit, including UL or ATEX certification, if necessary.







When combining a unit from individually configured and ordered service unit components, the points on the right must be adhered to under all circumstances.

- Regulators MS-LFR/LR/LRP are only permissible in the flow direction with the same or decreasing pressure regulation range
- Filters MS-LFR/LF/LFM/LFX are only permissible in the flow direction with an increasing grade of filtration
- Lubricators MS-LOE are not permitted in the flow direction upstream of a filter MS-LFR/LFM/LF/LFX, water separator MS-LWS or membrane air dryer MS-LDM1







- A micro filter MS-LFM must be installed in the flow direction upstream of an activated carbon filter MS-LFX or membrane air dryer MS-LDM1
- A flow sensor SFAM cannot be installed directly downstream of a regulator MS-LFR/LR; a branching module MS-FRM must be positioned between them
- A soft-start/quick exhaust valve MS-SV must be the last service unit component in the flow direction

Product range for service unit components MS series								
Type	Description	Size	Pneumatic connection					
			Push-in connector	Female thread			Connecting plate with thread	
				M	G	NPT	G	NPT
<b>Combinations</b>								
<b>Service unit combinations MSB-FRC</b>								Datasheets → Internet: msb
	Combinations of filter regulator and lubricator	4	–	–	1/8, 1/4	–	–	–
		6	–	–	1/4, 3/8, 1/2	–	–	–
<b>Service unit combinations MSB</b>								
<b>Service unit combinations MSB</b>								Datasheets → Internet: msb
	Certain predefined combinations	4	–	–	1/4	–	–	–
		6	–	–	1/2	–	–	–
	Freely configurable combinations	4	–	–	1/8, 1/4	–	1/8, 1/4, 3/8	1/8, 1/4, 3/8
		6	–	–	1/4, 3/8, 1/2	–	1/4, 3/8, 1/2, 3/4	1/4, 3/8, 1/2, 3/4
		9	–	–	3/4, 1	3/4, 1	1/2, 3/4, 1, 1 1/4, 1 1/2	1/2, 3/4, 1, 1 1/4, 1 1/2
<b>Service unit combinations MSE6</b>								
<b>Service unit combinations MSE6</b>								Datasheets → Internet: mse6
	Combinations with fieldbus connection for measuring pressure, flow rate and consumption	6	–	–	–	–	1/2	–


## Key features

Product range for service unit components MS series								
Type	Description	Size	Pneumatic connection					
			Push-in connector	Female thread			Connecting plate with thread	
				M	G	NPT	G	NPT
<b>Individual devices</b>								
<b>Filter regulators MS-LFR</b> <span style="float: right;">Datasheets → Internet: ms2-lfr; ms4-lfr; ms6-lfr; ms9-lfr; ms12-lfr</span>								
	Filter and pressure regulator in a single device, grade of filtration 5 or 40 µm	2	QS-6	M5	–	–	–	–
		4	–	–	1/8, 1/4	–	1/8, 1/4, 3/8	1/8, 1/4, 3/8
		6	–	–	1/4, 3/8, 1/2	–	1/4, 3/8, 1/2, 3/4	1/4, 3/8, 1/2, 3/4
		9	–	–	3/4, 1	3/4, 1	1/2, 3/4, 1, 1 1/4, 1 1/2	1/2, 3/4, 1, 1 1/4, 1 1/2
		12	–	–	–	–	1, 1 1/4, 1 1/2, 2	–
<b>Filter regulators MS-LFR-B</b> <span style="float: right;">Datasheets → Internet: ms4-lfr-b; ms6-lfr-b</span>								
	Filter and pressure regulator in a single device in polymer housing, grade of filtration 5 or 40 µm	4	–	–	1/4	–	–	–
		6	–	–	1/2	–	–	–
<b>Filters MS-LF</b> <span style="float: right;">Datasheets → Internet: ms4-lf; ms6-lf; ms9-lf; ms12-lf</span>								
	Grade of filtration 5 or 40 µm	4	–	–	1/8, 1/4	–	1/8, 1/4, 3/8	1/8, 1/4, 3/8
		6	–	–	1/4, 3/8, 1/2	–	1/4, 3/8, 1/2, 3/4	1/4, 3/8, 1/2, 3/4
		9	–	–	3/4, 1	3/4, 1	1/2, 3/4, 1, 1 1/4, 1 1/2	1/2, 3/4, 1, 1 1/4, 1 1/2
		12	–	–	–	–	1, 1 1/4, 1 1/2, 2	–
<b>Fine and micro filters MS-LFM</b> <span style="float: right;">Datasheets → Internet: ms4-lfm; ms6-lfm; ms9-lfm; ms12-lfm</span>								
	Grade of filtration 0.01 or 1 µm	4	–	–	1/8, 1/4	–	1/8, 1/4, 3/8	1/8, 1/4, 3/8
		6	–	–	1/4, 3/8, 1/2	–	1/4, 3/8, 1/2, 3/4	1/4, 3/8, 1/2, 3/4
		9	–	–	3/4, 1	3/4, 1	1/2, 3/4, 1, 1 1/4, 1 1/2	1/2, 3/4, 1, 1 1/4, 1 1/2
		12	–	–	–	–	1, 1 1/4, 1 1/2, 2	–
<b>Activated carbon filters MS-LFX</b> <span style="float: right;">Datasheets → Internet: ms4-lfx; ms6-lfx; ms9-lfx; ms12-lfx</span>								
	For removing liquid and gaseous oil particles	4	–	–	1/8, 1/4	–	1/8, 1/4, 3/8	1/8, 1/4, 3/8
		6	–	–	1/4, 3/8, 1/2	–	1/4, 3/8, 1/2, 3/4	1/4, 3/8, 1/2, 3/4
		9	–	–	3/4, 1	3/4, 1	1/2, 3/4, 1, 1 1/4, 1 1/2	1/2, 3/4, 1, 1 1/4, 1 1/2
		12	–	–	–	–	1, 1 1/4, 1 1/2, 2	–
<b>Water separators MS-LWS</b> <span style="float: right;">Datasheets → Internet: ms6-lws; ms9-lws; ms12-lws</span>								
	Remove condensate from compressed air, maintenance-free	6	–	–	1/4, 3/8, 1/2	–	1/4, 3/8, 1/2, 3/4	1/4, 3/8, 1/2, 3/4
		9	–	–	3/4, 1	3/4, 1	1/2, 3/4, 1, 1 1/4, 1 1/2	1/2, 3/4, 1, 1 1/4, 1 1/2
		12	–	–	–	–	1, 1 1/4, 1 1/2, 2	–





## Key features

Product range for service unit components MS series								
Type	Description	Size	Pneumatic connection					
			Push-in connector	Female thread			Connecting plate with thread	
				M	G	NPT	G	NPT
<b>Individual devices</b>								
<b>Pressure regulators MS-LR</b> <span style="float: right;">Datasheets → Internet: ms2-lr; ms4-lr; ms6-lr; ms9-lr; ms12-lr</span>								
	For setting the required operating pressure, 4 pressure regulation ranges	2	QS-6	M5	–	–	–	–
		4	–	–	1/8, 1/4	–	1/8, 1/4, 3/8	1/8, 1/4, 3/8
		6	–	–	1/4, 3/8, 1/2	–	1/4, 3/8, 1/2, 3/4	1/4, 3/8, 1/2, 3/4
		9	–	–	3/4, 1	3/4, 1	1/2, 3/4, 1, 1 1/4, 1 1/2	1/2, 3/4, 1, 1 1/4, 1 1/2
		12	–	–	–	–	1, 1 1/4, 1 1/2, 2	–
<b>Pressure regulators MS-LR-B</b> <span style="float: right;">Datasheets → Internet: ms4-lr-b; ms6-lr-b</span>								
	For setting the required operating pressure, in polymer housing	4	–	–	1/4	–	–	–
		6	–	–	1/2	–	–	–
<b>Pressure regulators MS-LRB</b> <span style="float: right;">Datasheets → Internet: ms4-lrb; ms6-lrb</span>								
	For configuring a regulator manifold with independent pressure regulation ranges. Pressure output is at the front or rear.	4	–	–	1/4	–	1/8, 1/4, 3/8	–
		6	–	–	1/2	–	1/4, 3/8, 1/2, 3/4	–
<b>Precision pressure regulators MS-LRP</b> <span style="float: right;">Datasheets → Internet: ms6-lrp</span>								
	For precisely setting the required operating pressure, 4 pressure regulation ranges, pressure hysteresis 0.02 bar	6	–	–	1/4, 3/8, 1/2	–	1/4, 3/8, 1/2, 3/4	1/4, 3/8, 1/2, 3/4
<b>Precision pressure regulators MS-LRPB</b> <span style="float: right;">Datasheets → Internet: ms6-lrpb</span>								
	For configuring a regulator manifold with independent pressure regulation ranges. Pressure output is at the front or rear.	6	–	–	1/2	–	1/4, 3/8, 1/2, 3/4	–
<b>Lubricators MS-LOE</b> <span style="float: right;">Datasheets → Internet: ms4-loe; ms6-loe; ms9-loe; ms12-loe</span>								
	Add a precisely dosed amount of oil to the compressed air. The amount of oil mist is proportional to the compressed air flow rate.	4	–	–	1/8, 1/4	–	1/8, 1/4, 3/8	1/8, 1/4, 3/8
		6	–	–	1/4, 3/8, 1/2	–	1/4, 3/8, 1/2, 3/4	1/4, 3/8, 1/2, 3/4
		9	–	–	3/4, 1	3/4, 1	1/2, 3/4, 1, 1 1/4, 1 1/2	1/2, 3/4, 1, 1 1/4, 1 1/2
		12	–	–	–	–	1, 1 1/4, 1 1/2, 2	–

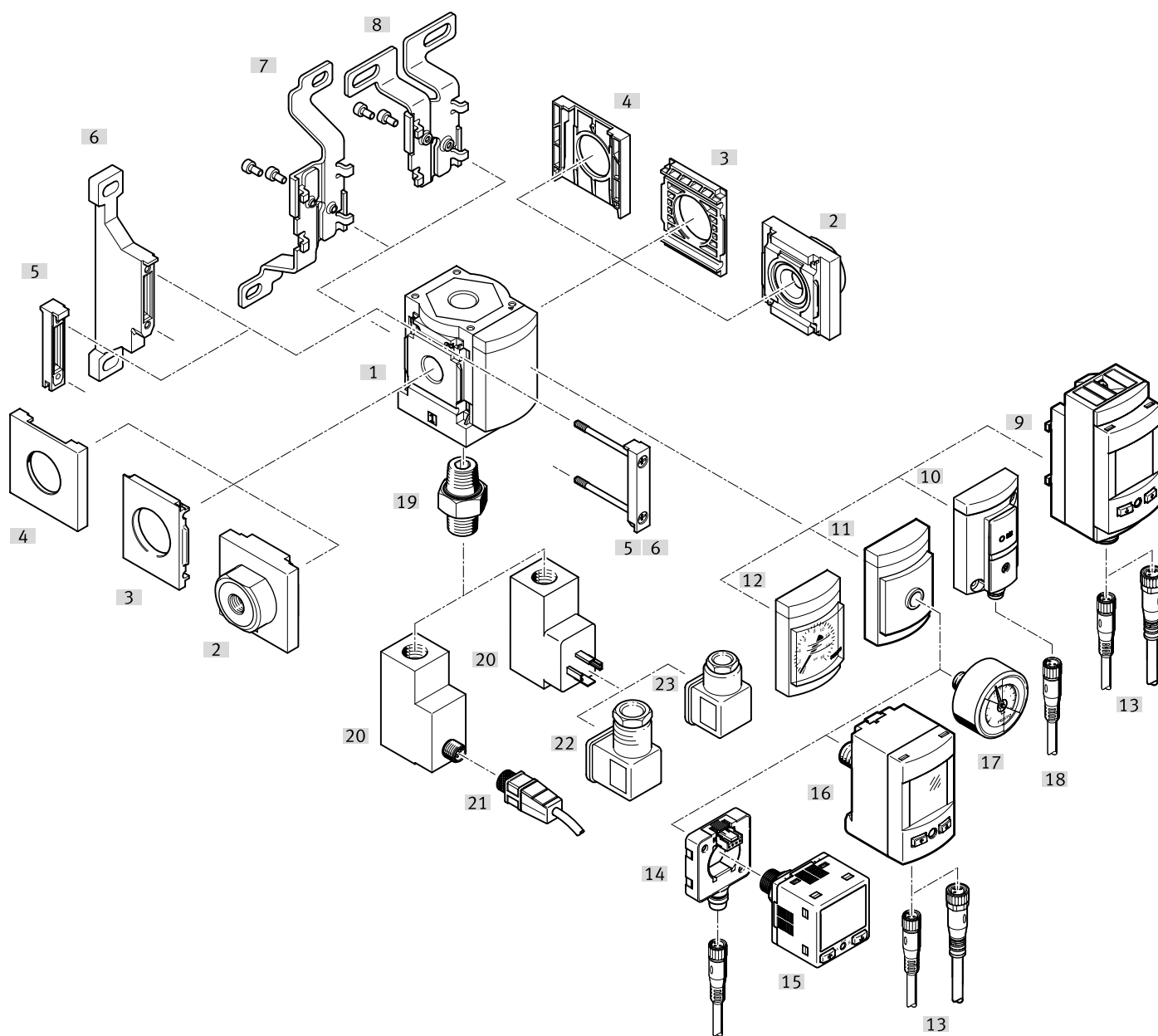
## Key features

Product range for service unit components MS series								
Type	Description	Size	Pneumatic connection			Connecting plate with thread		
			Push-in connector	Female thread		G		NPT
			M	G	NPT	G	NPT	
<b>Individual devices</b>								
<b>On/off valves MS-EM</b>						Datasheets → Internet: ms4-em; ms6-em; ms9-em; ms12-em		
	Manually actuated on/off valve for pressurising and exhausting pneumatic systems.	4	–	–	1/8, 1/4	–	1/8, 1/4, 3/8	1/8, 1/4, 3/8
		6	–	–	1/4, 3/8, 1/2	–	1/4, 3/8, 1/2, 3/4	1/4, 3/8, 1/2, 3/4
		9	–	–	3/4, 1	3/4, 1	1/2, 3/4, 1, 1 1/4, 1 1/2	1/2, 3/4, 1, 1 1/4, 1 1/2
		12	–	–	–	–	1, 1 1/4, 1 1/2, 2	–
<b>On/off valves MS-EE</b>						Datasheets → Internet: ms4-ee; ms6-ee; ms9-ee; ms12-ee		
	Electrically actuated on/off valve for pressurising and exhausting pneumatic systems.	4	–	–	1/8, 1/4	–	1/8, 1/4, 3/8	1/8, 1/4, 3/8
		6	–	–	1/4, 3/8, 1/2	–	1/4, 3/8, 1/2, 3/4	1/4, 3/8, 1/2, 3/4
		9	–	–	3/4, 1	3/4, 1	1/2, 3/4, 1, 1 1/4, 1 1/2	1/2, 3/4, 1, 1 1/4, 1 1/2
		12	–	–	–	–	1, 1 1/4, 1 1/2, 2	–
<b>On/off valves MS-EE-B</b>						Datasheets → Internet: ms4-ee-b; ms6-ee-b		
	Electrically actuated on/off valve in polymer housing for pressurising and exhausting pneumatic systems.	4	–	–	1/4	–	–	–
		6	–	–	1/2	–	–	–
<b>Soft-start valves MS-DL</b>						Datasheets → Internet: ms4-dl; ms6-dl; ms12-dl		
	Pneumatically actuated soft-start valve for slowly pressurising and exhausting pneumatic systems.	4	–	–	1/8, 1/4	–	1/8, 1/4, 3/8	1/8, 1/4, 3/8
		6	–	–	1/4, 3/8, 1/2	–	1/4, 3/8, 1/2, 3/4	1/4, 3/8, 1/2, 3/4
		12	–	–	–	–	1, 1 1/4, 1 1/2, 2	–
<b>Soft-start valves MS-DE</b>						Datasheets → Internet: ms4-de; ms6-de; ms12-de		
	Electrically actuated soft-start valve for slowly pressurising and exhausting pneumatic systems.	4	–	–	1/8, 1/4	–	1/8, 1/4, 3/8	1/8, 1/4, 3/8
		6	–	–	1/4, 3/8, 1/2	–	1/4, 3/8, 1/2, 3/4	1/4, 3/8, 1/2, 3/4
		12	–	–	–	–	1, 1 1/4, 1 1/2, 2	–
<b>On/off valves MS-EDE-B</b>						Datasheets → Internet: ms4-ed-e-b; ms6-ed-e-b		
	Electrically actuated soft-start valve in polymer housing for slowly pressurising and exhausting pneumatic systems.	4	–	–	1/4	–	–	–
		6	–	–	1/2	–	–	–
<b>Soft-start/quick exhaust valves MS-SV</b>						Datasheets → Internet: ms6-sv; ms9-sv		
	For building up pressure gradually and reducing pressure quickly and safely in pneumatic piping systems. Up to category 1, PL c.	6	–	–	1/2	–	1/4, 3/8, 1/2, 3/4	1/4, 3/8, 1/2, 3/4
		9	–	–	3/4, 1	3/4, 1	1/2, 3/4, 1, 1 1/4, 1 1/2	1/2, 3/4, 1, 1 1/4, 1 1/2
	Up to category 3, PL d. Up to category 4, PL e in the case of optional extension.	6	–	–	1/2	–	1/4, 3/8, 1/2, 3/4	1/4, 3/8, 1/2, 3/4
	Up to category 4, PL e.	6	–	–	1/2	–	1/4, 3/8, 1/2, 3/4	–

## Key features

Product range for service unit components MS series								
Type	Description	Size	Pneumatic connection					
			Push-in connector	Female thread			Connecting plate with thread	
				M	G	NPT	G	NPT
<b>Individual devices</b>								
<b>Membrane air dryer MS-LDM1</b> <span style="float: right;">Datasheets → Internet: ms4-ldm; ms6-ldm</span>								
	Wear-free membrane dryer with internal air consumption	4	–	–	1/8, 1/4	–	1/8, 1/4, 3/8	1/8, 1/4, 3/8
		6	–	–	1/4, 3/8, 1/2	–	1/4, 3/8, 1/2, 3/4	1/4, 3/8, 1/2, 3/4
<b>Branching modules MS-FRM</b> <span style="float: right;">Datasheets → Internet: ms4-frm; ms6-frm; ms9-frm; ms12-frm</span>								
	Compressed air distributors with 4 connections	4	–	–	1/8, 1/4	–	1/8, 1/4, 3/8	–
		6	–	–	1/4, 3/8, 1/2	–	1/4, 3/8, 1/2, 3/4	–
		9	–	–	3/4, 1	3/4, 1	1/2, 3/4, 1, 1 1/4, 1 1/2	1/2, 3/4, 1, 1 1/4, 1 1/2
		12	–	–	–	–	1, 1 1/4, 1 1/2, 2	–
<b>Distributor blocks MS-FRM-FRZ</b> <span style="float: right;">Datasheets → Internet: ms4-frm-frz; ms6-frm-frz</span>								
	Compressed air distributors with 4 connections and half the grid width	4	–	–	–	–	–	–
		6	–	–	–	–	–	–
<b>Flow sensors SFAM</b> <span style="float: right;">Datasheets → Internet: sfam</span>								
	For absolute flow rate information and cumulative air consumption measurement	6	–	–	–	–	1/2	1/2
		9	–	–	–	–	1, 1 1/2	1, 1 1/2

Peripherals overview



**Note**

Additional accessories:

- Module connectors for combination with size MS4/MS6 or size MS9  
→ Internet: amv, rmv, armv
- Adapters for mounting on profiles  
→ Internet: ipm-80, ipm-40-80, ipm-80-80



## Peripherals overview

Mounting attachments and accessories		Order code	→ Page/Internet
[1]	Branching modules MS4/6-FRM		8
<b>Can be ordered via the modular product system</b>			
[2]	Connecting plate SET <sup>1)</sup>	[AG...]	18
[6]	Mounting bracket	[WP]	
	Mounting bracket (not shown)	[WPM]	
[7]	Mounting bracket	[WB]	
[8]	Mounting bracket	[WBM]	
[9]	Pressure sensor SPAU with LCD display	[AD11]/[AD12]	
[10]	Pressure sensor SDE5 with status indicator	[AD7]/[AD8]/[AD9]/[AD10]	
[11]	Adapter for EN pressure gauge 1/8, 1/4	[A8]/[A4]	
[12]	MS pressure gauge	[AG]/[RG]	
[20]	Pressure switch PEV <sup>2)</sup>	[X]/[Y]/[M12]	
<b>Can be ordered as accessories</b>			
[2]	Connecting plate SET <sup>3)</sup>	MS4/6-AG...	ms4-ag, ms6-ag
[3]	Mounting plate <sup>3)</sup>	MS4/6-AEND	ms4-aend, ms6-aend
[4]	Cover cap	MS4/6-END	ms4-end, ms6-end
[5]	Module connector	MS4/6-MV1	ms4-mv1, ms6-mv1
[6]	Mounting bracket	MS4/6-WP	ms4-wp, ms6-wp
	Mounting bracket (not shown)	MS4/6-WPB/WPE/WPM	ms4-wp, ms6-wp
[7]	Mounting bracket	MS4/6-WB	ms4-wb, ms6-wb
[8]	Mounting bracket	MS4-WBM	ms4-wbm
[13]	Connecting cable	NEBU-M8...-LE4/NEBU-M12...-LE4	37
[14]	Electrical adapter	SASC	36
[15]	Pressure sensor	SPAN	36
[16]	Pressure sensor	SPAU...T	36
[17]	Pressure gauge	MA	36
[18]	Connecting cable	NEBU-M8...-LE3	37
[19]	Double nipple	ESK	37
[21]	Connecting cable	NEBU-M12...-LE4	37
[22]	Angled plug socket	PEV-1/4-WD-LED-...	37
[23]	Plug socket	MSSD-C-4P	37

1) Module connector [4] is included in the scope of delivery.

2) Double nipple [20] is included in the scope of delivery.

3) Module connector MS4/6-MV [4] or mounting bracket MS4/6-WP/WPB/WPE/WPM [5] is required for mounting.

Type codes – MS4-FRM

<b>001</b>	<b>Series</b>	
<b>MS4</b>	MS series, size 4	
<b>002</b>	<b>Size</b>	
<b>4</b>	Grid dimension 40 mm	
<b>003</b>	<b>Function</b>	
<b>FRM</b>	Branching module	
<b>004</b>	<b>Pneumatic connection</b>	
<b>1/8</b>	Female thread G1/8	
<b>1/4</b>	Female thread G1/4	
<b>AGA</b>	Sub-base G1/8	
<b>AGB</b>	Sub-base G1/4	
<b>AGC</b>	Sub-base G3/8	
<b>005</b>	<b>Additional function</b>	
	None	
<b>I</b>	With integrated non-return function	
<b>006</b>	<b>Pressure gauge alternatives</b>	
	None	
<b>A4</b>	Adapter for EN pressure gauge 1/4, without pressure gauge	
<b>A8</b>	Adapter for EN pressure gauge 1/8, without pressure gauge	
<b>AD7</b>	Pressure sensor with switching display, M8 plug, threshold value comparator, PNP, N/O	
<b>AD8</b>	Pressure sensor with switching display, M8 plug, threshold value comparator, PNP, N/C	
<b>AD9</b>	Pressure sensor with switching display, M8 plug, window comparator, PNP, N/O	
<b>AD10</b>	Pressure sensor with operational status indicator, M8 plug, window comparator, PNP, N/C	
<b>AD11</b>	Pressure sensor with LCD display, M12 plug, 4-pin, IO-Link®, PNP, NPN, 0...10 V, 1...5 V, 4...20 mA	
<b>AD12</b>	Pressure sensor with LCD display, M8 plug, 4-pin, IO-Link®, PNP, NPN, 0...10 V, 1...5 V, 4...20 mA	
<b>AG</b>	MS pressure gauge	
<b>RG</b>	Integrated pressure gauge, red/green scale	

<b>007</b>	<b>Alternative pressure gauge scale</b>	
	MS pressure gauge	
<b>PSI</b>	psi	
<b>MPA</b>	MPa	
<b>008</b>	<b>Pressure switch</b>	
	None	
<b>X</b>	Pressure switch PEV with display, plug socket, EN 175301, type A, cube	
<b>Y</b>	Pressure switch PEV without display, plug socket, EN 175301, type A, cube	
<b>M12</b>	Pressure switch PEV without display, plug socket, round, M12, 4-pin	
<b>009</b>	<b>Type of mounting</b>	
	Without mounting bracket	
<b>WP</b>	Mounting bracket basic design	
<b>WPM</b>	Mounting bracket for hooking in service unit components	
<b>WB</b>	Mounting centrally at rear (wall mounting top and bottom), connecting plates not required	
<b>WBM</b>	Mounting centrally at rear (wall mounting top), connecting plates not required	
<b>010</b>	<b>EU certification</b>	
	None	
<b>EX4</b>	II 2GD	
<b>011</b>	<b>UL certification</b>	
	None	
<b>UL1</b>	cULus ordinary location for Canada and USA	
<b>012</b>	<b>Flow direction</b>	
	Flow direction from left to right	
<b>Z</b>	Flow direction from right to left	
<b>013</b>	<b>Special material properties</b>	
	None	
<b>F1A</b>	Recommended for production facilities for the manufacture of lithium-ion batteries	

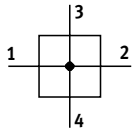
## Type codes – MS6-FRM

<b>001</b>	<b>Series</b>
<b>MS6</b>	MS-series, size 6
<b>002</b>	<b>Size</b>
<b>6</b>	Grid dimension 62 mm
<b>003</b>	<b>Function</b>
<b>FRM</b>	Branching module
<b>004</b>	<b>Pneumatic connection</b>
<b>1/4</b>	Female thread G1/4
<b>3/8</b>	Female thread G3/8
<b>1/2</b>	Female thread G1/2
<b>AGB</b>	Sub-base G1/4
<b>AGC</b>	Sub-base G3/8
<b>AGD</b>	Sub-base G1/2
<b>AGE</b>	Sub-base G3/4
<b>005</b>	<b>Additional function</b>
	None
<b>I</b>	With integrated non-return function
<b>006</b>	<b>Pressure gauge alternatives</b>
	None
<b>A4</b>	Adapter for EN pressure gauge 1/4, without pressure gauge
<b>A8</b>	Adapter for EN pressure gauge 1/8, without pressure gauge
<b>AD7</b>	Pressure sensor with switching display, M8 plug, threshold value comparator, PNP, N/O
<b>AD8</b>	Pressure sensor with switching display, M8 plug, threshold value comparator, PNP, N/C
<b>AD9</b>	Pressure sensor with switching display, M8 plug, window comparator, PNP, N/O
<b>AD10</b>	Pressure sensor with operational status indicator, M8 plug, window comparator, PNP, N/C
<b>AD11</b>	Pressure sensor with LCD display, M12 plug, 4-pin, IO-Link®, PNP, NPN, 0...10 V, 1...5 V, 4...20 mA
<b>AD12</b>	Pressure sensor with LCD display, M8 plug, 4-pin, IO-Link®, PNP, NPN, 0...10 V, 1...5 V, 4...20 mA
<b>AG</b>	MS pressure gauge
<b>RG</b>	Integrated pressure gauge, red/green scale

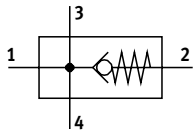
<b>007</b>	<b>Alternative pressure gauge scale</b>
	MS pressure gauge
<b>PSI</b>	psi
<b>MPA</b>	MPa
<b>008</b>	<b>Pressure switch</b>
	None
<b>X</b>	Pressure switch PEV with display, plug socket, EN 175301, type A, cube
<b>Y</b>	Pressure switch PEV without display, plug socket, EN 175301, type A, cube
<b>M12</b>	Pressure switch PEV without display, plug socket, round, M12, 4-pin
<b>009</b>	<b>Type of mounting</b>
	Without mounting bracket
<b>WP</b>	Mounting bracket basic design
<b>WPM</b>	Mounting bracket for hooking in service unit components
<b>WB</b>	Mounting centrally at rear (wall mounting top and bottom), connecting plates not required
<b>010</b>	<b>EU certification</b>
	None
<b>EX4</b>	II 2GD
<b>011</b>	<b>UL certification</b>
	None
<b>UL1</b>	cULus ordinary location for Canada and USA
<b>012</b>	<b>Flow direction</b>
	Flow direction from left to right
<b>Z</b>	Flow direction from right to left
<b>013</b>	<b>Special material properties</b>
	None
<b>F1A</b>	Recommended for production facilities for the manufacture of lithium-ion batteries




## Datasheet

Function  
Standard



With integrated non-return function



-  - Flow rate  
1200 ... 14700 l/min
-  - Temperature range  
-10 ... +60°C
-  - Operating pressure  
0 ... 20 bar



- Compressed air distributors with 4 connections
- Can be used as an intermediate distributor for varying air qualities
- Support for auxiliary modules
- Outlet at the top and underneath
- An integrated check valve prevents the return flow, e.g. of lubricated compressed air
- Optional pressure sensor
- Optional device variant EX4 for use in potentially explosive areas in zones 1, 2, 21 and 22

### General technical data

Size	MS4	MS6
Pneumatic connection 1, 2		
Female thread	G1/8 or G1/4	G1/4, G3/8 or G1/2
Connecting plate [AG...]	G1/8, G1/4 or G3/8	G1/4, G3/8, G1/2 or G3/4
Pneumatic connection 3, 4	G1/4	G1/2
Design	Branching module Branching module with non-return function	
Type of mounting	With accessories In-line installation	
Mounting position	Any <sup>1)</sup>	
Pressure indication	With pressure sensor for indicating the output pressure via LCD display and electrical output With pressure sensor for indicating the output pressure via status indicator and electrical output Via pressure gauge for displaying the output pressure With pressure gauge with red/green scale for indicating the output pressure Prepared for G1/8 Prepared for G1/4	

1) The branching module must be mounted vertically when combined with a pressure sensor as condensate must not collect in the pressure sensor.

† Note: This product conforms to ISO 1179-1 and ISO 228-1.

### Standard nominal flow rate $q_{nN}^{1)}$ [l/min]

Size	MS4		MS6		
Pneumatic connection 1, 2	G1/8	G1/4	G1/4	G3/8	G1/2
<b>Standard</b>					
In main flow direction 1 → 2	1800	4600	4200	9200	14700
Outlet at the top	1600	1500	6000	4700	4400
Outlet underneath	1700	1500	6400	4800	4600
<b>With non-return function</b>					
In main flow direction 1 → 2	1200	1750	3200	5500	6000
Outlet at the top	500	500	2700	2900	3100
Outlet underneath	500	500	2800	3200	3300

1) Measured at  $p_1 = 6$  bar and  $p_2 = 5$  bar,  $\Delta p = 1$  bar

### Electrical data<sup>1)</sup>

Operating voltage range AC	[V]	0 ... 250
Operating voltage range DC	[V]	0 ... 125

1) Only in combination with pressure switch

## Datasheet

Operating and environmental conditions						
Size	MS4			MS6		
Branching module	Without pressure switch/pressure sensor	With pressure switch	With pressure sensor	Without pressure switch/pressure sensor	With pressure switch	With pressure sensor
Operating pressure [bar]	0 ... 14 (0 ... 10) <sup>1)</sup>	0 ... 12 (0 ... 10) <sup>1)</sup>	0 ... 10	0 ... 20 (0 ... 10) <sup>1)</sup>	0 ... 12 (0 ... 10) <sup>1)</sup>	0 ... 10
Operating medium	Compressed air to ISO 8573-1:2010 [7:4:4] Inert gases					
Note on the operating/pilot medium	Lubricated operation possible (in which case lubricated operation will always be required)					
Ambient temperature [°C]	-10 ... +60		0 ... +50	-10 ... +60		0 ... +50
Temperature of medium [°C]	-10 ... +60		0 ... +50	-10 ... +60		0 ... +50
Storage temperature [°C]	-10 ... +60					
Corrosion resistance class CRC <sup>2)</sup>	2					
Suitability for the food industry <sup>3)</sup>	See supplementary material information					
UL certification <sup>3)</sup>	c UL us - Recognized (OL)					
Application note <sup>4)</sup>	Foreign particles can adhere to the product or form during installation. Depending on the application, it may be necessary to purge the product with clean compressed air, to clean it after installation and operate it with ducted exhaust air.					

1) Value in brackets applies to MS4-FRM with non-return function or to MS4/MS6-FRM with UL certification.

2) More information [www.festo.com/x/topic/crc](http://www.festo.com/x/topic/crc)

3) More information: [www.festo.com/catalogue/ms-fm](http://www.festo.com/catalogue/ms-fm) → Support/Downloads.

4) Applies to products for battery production (F1A)

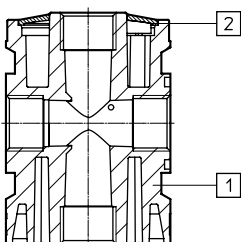
ATEX	
EU certification	EX4
ATEX category for gas	II 2G
Type of ignition protection for gas	Ex h IIC T6 Gb X
ATEX category for dust	II 2D
Type of ignition protection for dust	Ex h IIIC T60°C Db X
Explosion-proof ambient temperature	-10°C ≤ Ta ≤ +60°C
Explosion protection certification outside the EU	EPL Db (GB) EPL Gb (GB)
CE marking (see declaration of conformity) <sup>1)</sup>	To EU Explosion Protection Directive (ATEX)
UKCA marking (see declaration of conformity) <sup>1)</sup>	To UK explosion regulations

1) More information: [www.festo.com/catalogue/ms-fm](http://www.festo.com/catalogue/ms-fm) → Support/Downloads.

Weight [g]		
Size	MS4	MS6
Branching module	165	458
Branching module with non-return function	160	400
Branching module with pressure sensor for LCD display	245	528
Branching module with pressure sensor for status indicator	182	488
Branching module with pressure switch	405	736

## Materials

## Sectional view



Branching module		
[1]	Housing	Die-cast aluminium
[2]	Cover	Reinforced PA
Note on materials		RoHS-compliant
LABS (PWIS) conformity		VDMA24364-B1/B2-L
Suitable for the production of Li-ion batteries <sup>1)</sup>		Metals with more than 1% by mass of copper, zinc or nickel are excluded from use. Exceptions are nickel in steel, chemically nickel-plated surfaces, printed circuit boards, cables, electrical plug connectors and coils

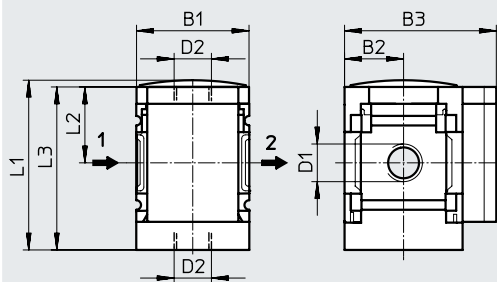
1) Applies to products for battery production (F1A)

Datasheet

Dimensions – Basic version

Download CAD data → [www.festo.com](http://www.festo.com)

With female thread, with cover plate



→ Flow direction

Type	B1	B2	B3	D1	D2	L1	L2	L3
MS4-FRM-1/8	40	21	54	G1/8	G1/4	60.4	27	58
MS4-FRM-1/4				G1/4				
MS6-FRM-1/4	62	31	76	G1/4	G1/2	87.2	39	84.5
MS6-FRM-3/8				G3/8				
MS6-FRM-1/2				G1/2				

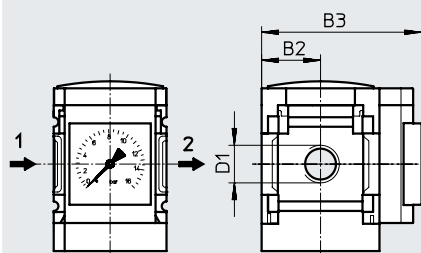
Note: This product conforms to ISO 1179-1 and ISO 228-1.

Dimensions – Pressure gauges/adapters

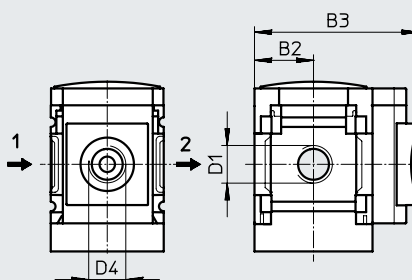
Download CAD data → [www.festo.com](http://www.festo.com)

[AG] Integrated MS pressure gauge with standard scale  
 [RG] Integrated MS pressure gauge with red/green scale

[A8] Adapter for EN pressure gauge 1/8, without pressure gauge  
 [A4] Adapter for EN pressure gauge 1/4, without pressure gauge



→ Flow direction



→ Flow direction

Type	B2	B3		D1	D4
		Standard	With integrated non-return function		
MS4-FRM-1/8-...-AG	21	65		G1/8	-
MS4-FRM-1/4-...-AG		66.5		G1/4	
MS4-FRM-1/8-...-RG	21	58.5		G1/8	G1/8
MS4-FRM-1/4-...-RG		58.5		G1/4	
MS4-FRM-1/8-...-A8	21	58.5		G1/8	G1/4
MS4-FRM-1/4-...-A8		58.5		G1/4	
MS4-FRM-1/8-...-A4	21	77		G1/8	-
MS4-FRM-1/4-...-A4		77		G1/4	
MS6-FRM-1/4-...-AG	31	78.5	86.5	G1/4	-
MS6-FRM-3/8-...-AG				G3/8	
MS6-FRM-1/2-...-AG				G1/2	
MS6-FRM-1/4-...-RG	31	78.5	86.5	G1/4	-
MS6-FRM-3/8-...-RG				G3/8	
MS6-FRM-1/2-...-RG				G1/2	
MS6-FRM-1/4-...-A8	31	78.5	86.5	G1/4	G1/8
MS6-FRM-3/8-...-A8				G3/8	
MS6-FRM-1/2-...-A8				G1/2	
MS6-FRM-1/4-...-A4	31	78.5	86.5	G1/4	G1/4
MS6-FRM-3/8-...-A4				G3/8	
MS6-FRM-1/2-...-A4				G1/2	

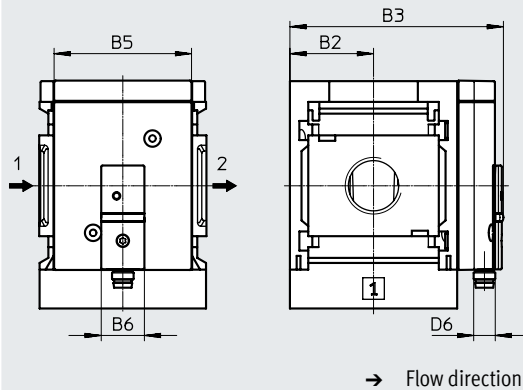
Datasheet

**Dimensions – Pressure sensor**

Download CAD data → [www.festo.com](http://www.festo.com)

[AD7]/[AD8]/[AD9]/[AD10] Pressure sensor with status indicator

Datasheets → Internet: sde5



[AD7]:  
SDE5-D10-O-...-P-M8 with 3-pin M8x1 plug, threshold value comparator, 1 switching output PNP, N/O contact

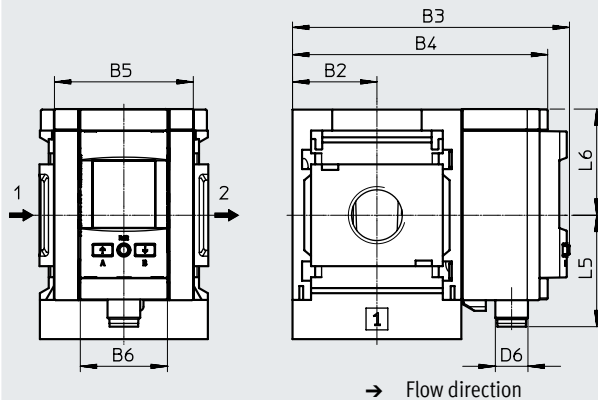
[AD9]:  
SDE5-D10-O3-...-P-M8 with 3-pin M8x1 plug, window comparator, 1 switching output PNP, N/O contact

[AD8]:  
SDE5-D10-C-...-P-M8 with 3-pin M8x1 plug, threshold value comparator, 1 switching output PNP, N/C contact

[AD10]:  
SDE5-D10-C3-...-P-M8 with 3-pin M8x1 plug, window comparator, 1 switching output PNP, N/C contact

[AD11]/[AD12] Pressure sensor with LCD display

Datasheets → Internet: spau



[AD11]:  
SPAU-P10R-MS...-L-PNLK-M12D with 4-pin M12x1 plug, A-coded, switching output 2x PNP or 2x NPN switchable and 0 ... 10 V, 1 ... 5 V, 4 ... 20 mA analogue

[AD12]:  
SPAU-P10R-MS...-L-PNLK-M8D with 4-pin M8x1 plug, A-coded, switching output 2x PNP or 2x NPN switchable and 0 ... 10 V, 1 ... 5 V, 4 ... 20 mA analogue

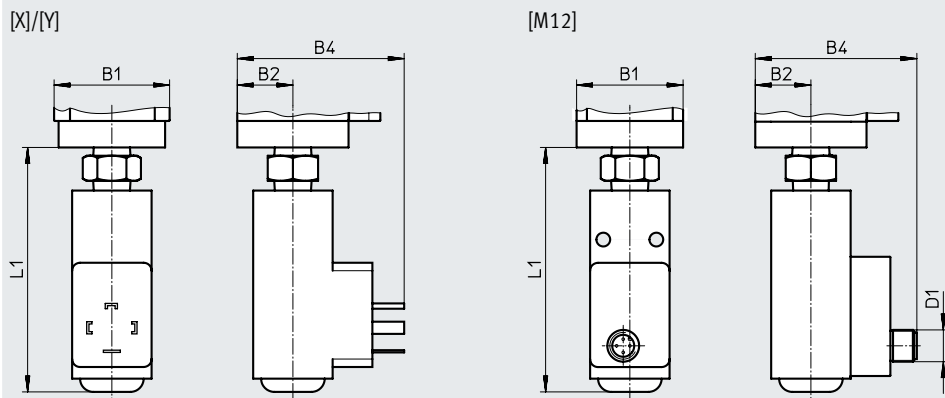
Type	B2	B3	B4	B5	B6	D6	L5	L6
MS4-...AD7/AD8/AD9/AD10	21	59.1	–	~32	16	M8x1	–	–
MS4-...AD11	21	81.2	73.3	32	32	M12x1	41.2	39
MS4-...AD12						M8x1	37.9	
MS6-...AD7/AD8/AD9/AD10	31	79.1	–	~51	16	M8x1	–	–
MS6-...AD11	31	101.8	93.7	51	32	M12x1	41.2	39
MS6-...AD12						M8x1	37.9	

Datasheet

**Dimensions – Pressure switch**

[X]/[Y]/[M12] Pressure switch with adjustable pressure switching point

Download CAD data → [www.festo.com](http://www.festo.com)  
 Datasheets → Internet: pev-1/4



[X]:  
 PEV-1/4-SC-0D with display, plug, square design to EN 175 301, type A

[Y]:  
 PEV-1/4-B-0D, plug, square design to EN 175 301, type A

[M12]:  
 PEV-1/4-B-M12 with 4-pin plug M12x1

Type	B1	B2	B4	D1	L1
MS4-FRM-...-X/Y	40	21	63	–	91.8
MS4-FRM-...-M12	40	21	61	M12x1	91.8
MS6-FRM-...-X/Y	62	31	73	–	99
MS6-FRM-...-M12	62	31	71	M12x1	99



## Datasheet

## ★ Core Range

Ordering data					
Size	Port 1, 2	Port 3, 4	Flow direction	Part no.	Type
MS6	G1/4	G thread	From left to right	★ 529857	MS6-FRM-1/4
	G1/2	G thread	From left to right	★ 529853	MS6-FRM-1/2

Ordering data					
Size	Port 1, 2	Port 3, 4	Flow direction	Part no.	Type
MS4	G1/8	G thread	From left to right	529559	MS4-FRM-1/8
	G1/4	G thread	From left to right	529555	MS4-FRM-1/4
			From right to left	529558	MS4-FRM-1/4-Z
MS6	G3/8	G thread	From left to right	529861	MS6-FRM-3/8
	G1/2	G thread	From right to left	529856	MS6-FRM-1/2-Z

With integrated non-return function					
MS4	G1/4	G thread	From left to right	536966	MS4-FRM-1/4-I
			From right to left	536971	MS4-FRM-1/4-I-Z
MS6	G1/4	G thread	From left to right	536967	MS6-FRM-1/4-I
	G1/2	G thread	From left to right	536969	MS6-FRM-1/2-I

With pressure switch PEV-1/4-B-0D					
MS4	G1/4	G thread	From left to right	529556	MS4-FRM-1/4-Y
			From right to left	529557	MS4-FRM-1/4-Y-Z
MS6	G1/4	G thread	From left to right	529858	MS6-FRM-1/4-Y
	G3/8	G thread	From left to right	529862	MS6-FRM-3/8-Y
	G1/2	G thread	From left to right	529854	MS6-FRM-1/2-Y
			From right to left	529855	MS6-FRM-1/2-Y-Z

Ordering data – Products for battery production (F1A)					
Size	Port 1, 2	Pressure gauge alternatives	Flow direction	Part no.	Type
MS4	G1/4	Adapter for EN pressure gauge 1/8, without pressure gauge	From left to right	8183570	MS4-FRM-1/4-A8-F1A
MS6	G1/2	Adapter for EN pressure gauge 1/4, without pressure gauge	From left to right	8183566	MS6-FRM-1/2-A4-F1A
		Adapter for EN pressure gauge 1/8, without pressure gauge		8183567	MS6-FRM-1/2-A8-F1A

Ordering data – Modular product system

Ordering table						
Grid dimension	[mm]	40	62	Conditions	Code	Enter code
Module no.		<b>527703</b>	<b>527676</b>			
Series		Standard			<b>MS</b>	MS
Size		4	6		...	
Function		Branching module			<b>-FRM</b>	-FRM
Pneumatic connection	Female thread G1/8	–		[1]	<b>-1/8</b>	
	Female thread G1/4	Female thread G1/4		[1]	<b>-1/4</b>	
	–	Female thread G3/8		[1]	<b>-3/8</b>	
	–	Female thread G1/2		[1]	<b>-1/2</b>	
	Connecting plate G1/8	–			<b>-AGA</b>	
	Connecting plate G1/4	Connecting plate G1/4			<b>-AGB</b>	
	Connecting plate G3/8	Connecting plate G3/8			<b>-AGC</b>	
	–	Connecting plate G1/2			<b>-AGD</b>	
	–	Connecting plate G3/4			<b>-AGE</b>	
Additional function	None					
	With integrated non-return function				<b>-I</b>	
Pressure gauge/adapter	None					
	MS pressure gauge, bar				<b>-AG</b>	
	Adapter for EN pressure gauge 1/8, without pressure gauge				<b>-A8</b>	
	Adapter for EN pressure gauge 1/4, without pressure gauge				<b>-A4</b>	
	Integrated pressure gauge, red/green scale				<b>-RG</b>	
	Pressure sensor with status indicator, plug M8, threshold value comparator, PNP, N/O contact			[1]	<b>-AD7</b>	
	Pressure sensor with status indicator, plug M8, threshold value comparator, PNP, N/C contact			[1]	<b>-AD8</b>	
	Pressure sensor with status indicator, M8 plug, window comparator, PNP, N/O contact			[1]	<b>-AD9</b>	
	Pressure sensor with status indicator, M8 plug, window comparator, PNP, N/C contact			[1]	<b>-AD10</b>	
	Pressure sensor with LCD display, plug M12, 4-pin, IO-Link®, PNP, NPN, 0... 10 V, 1 ... 5 V, 4 ... 20 mA			[1]	<b>-AD11</b>	
	Pressure sensor with LCD display, plug M8, 4-pin, IO-Link®, PNP, NPN, 0... 10 V, 1 ... 5 V, 4 ... 20 mA			[1]	<b>-AD12</b>	
Alternative pressure gauge scale	None					
	psi			[2]	<b>-PSI</b>	
	MPa			[2]	<b>-MPA</b>	

[1] 1/8, 1/4, 3/8, Not with EU EX4 certification.  
1/2, AD7 ... AD12,  
X, Y, M12, WPM

[2] PSI, MPA Only in combination with pressure gauge AG.

## Ordering data – Modular product system

Ordering table		Grid dimension	[mm]	40	62	Conditions	Code	Enter code
Pressure switch	Without pressure switch							
	Pressure switch PEV with display, plug socket, EN 175301, type A, square					[1] [3] [4]	-X	
	Pressure switch PEV without display, plug socket, EN 175301, type A, square					[1] [3] [4]	-Y	
	Pressure switch PEV without display, plug socket, round, M12, 4-pin					[1] [3] [4]	-M12	
Type of mounting	Without mounting bracket							
	Mounting bracket standard design					[5]	-WP	
	Mounting bracket for hooking in service unit components					[1] [5]	-WPM	
	Mounting bracket centrally at rear (wall mounting top and bottom), connecting plates not required						-WB	
	Mounting bracket centrally at the rear (wall mounting top), connecting plates not required						-WBM	
EU certification	None							
	II 2GD to EU Explosion Protection Directive (ATEX)						-EX4	
UL certification	None							
	cULus, ordinary location for Canada and USA						-UL1	
Special	None							
Material properties	Recommended for production facilities for the manufacture of lithium-ion batteries (Cu<=1%, Zn<=1%, Ni<=1%)					[6]	-F1A	
	Flow direction from left to right							
Flow direction	Flow direction from right to left						-Z	

[1] 1/8, 1/4, 3/8, Not with EU EX4 certification.  
1/2, AD7 ... AD12,  
X, Y, M12, WPM

[3] X, Y, M12 Max. permissible operating pressure P1 = 12 bar.

[4] X, Y, M12 Not in combination with AD5 or AD6.

[5] WP, WPM Only with connecting plate AGA, AGB, AGC, AGD or AGE.

[6] F1A Only with 1/4, 1/2, A8, A4

Only these are permitted:

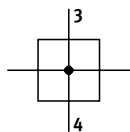
8183566 MS6-FRM-1/2-A4-F1A




8183567 MS6-FRM-1/2-A8-F1A

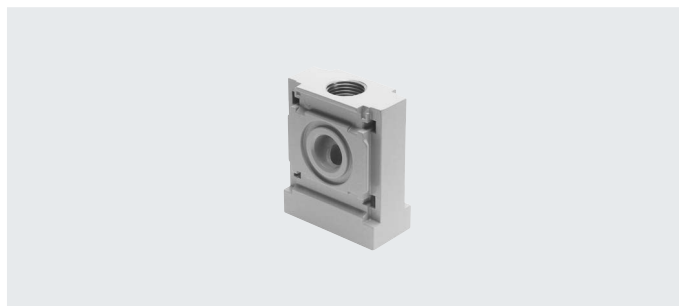
8183570 MS4-FRM-1/4-A8-F1A

## Datasheet

### Function



-  - Flow rate  
2900 ... 14600 l/min
-  - Temperature range  
-10 ... +60°C
-  - Operating pressure  
0 ... 20 bar



### Note

The distributor block MS4/6-FRM-FRZ has half the normal grid dimension.

- Compressed air distributors with 4 connections
- Outlet at the top and underneath
- Can be used as an intermediate distributor for varying air qualities
- Can be used as an adapter for size MS4 between two pressure regulators with pressure gauge with large rotary knob

### General technical data

Size	MS4	MS6
Pneumatic connection 3, 4	G1/4	G1/2
Design	Branching module	
Type of mounting	With accessories	
	In-line installation	
Mounting position	Any	

† Note: This product conforms to ISO 1179-1 and ISO 228-1.

### Standard nominal flow rate $q_{nN}^{1)}$ [l/min]

Size	MS4	MS6
In main flow direction 1 → 2	4050	14600
Outlet at the top	3250	10400
Outlet underneath	2900	9850

1) Measured at  $p_1 = 6$  bar and  $p_2 = 5$  bar,  $\Delta p = 1$  bar

### Operating and environmental conditions

Size	MS4	MS6
Operating pressure [bar]	0 ... 14 (0 ... 10) <sup>1)</sup>	0 ... 20 (0 ... 10) <sup>1)</sup>
Operating medium	Compressed air to ISO 8573-1:2010 [7:4:4]	
	Inert gases	
Note on the operating/pilot medium	Lubricated operation possible (in which case lubricated operation will always be required)	
Ambient temperature [°C]	-10 ... +60	
Temperature of medium [°C]	-10 ... +60	
Storage temperature [°C]	-10 ... +60	
Corrosion resistance class CRC <sup>2)</sup>	2	
UL certification <sup>3)</sup>	c UL us - Recognized (OL)	

1) Value in brackets applies to installation in a service unit MS4/MS6 with UL certification.

2) More information [www.festo.com/x/topic/crc](http://www.festo.com/x/topic/crc)

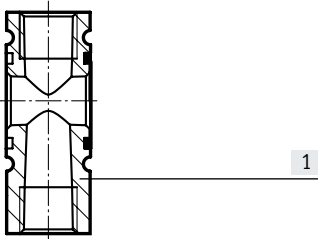
3) More information: [www.festo.com/catalogue/ms-frm](http://www.festo.com/catalogue/ms-frm) → Support/Downloads.

## Datasheet

<b>Weight [g]</b>		
Size	MS4	MS6
Distributor block	60	163

### Materials

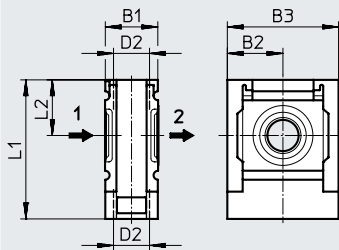
#### Sectional view



Distributor block	
[1] Housing	Die-cast aluminium
Note on materials	RoHS-compliant
LABS (PWIS) conformity	VDMA24364-B1/B2-L

### Dimensions

Download CAD data → [www.festo.com](http://www.festo.com)



Type	B1	B2	B3	D2	L1	L2
MS4-FRM-FRZ	20	21	42	G1/4	52.5	21
MS6-FRM-FRZ	31	31	62	G1/2	76.5	31

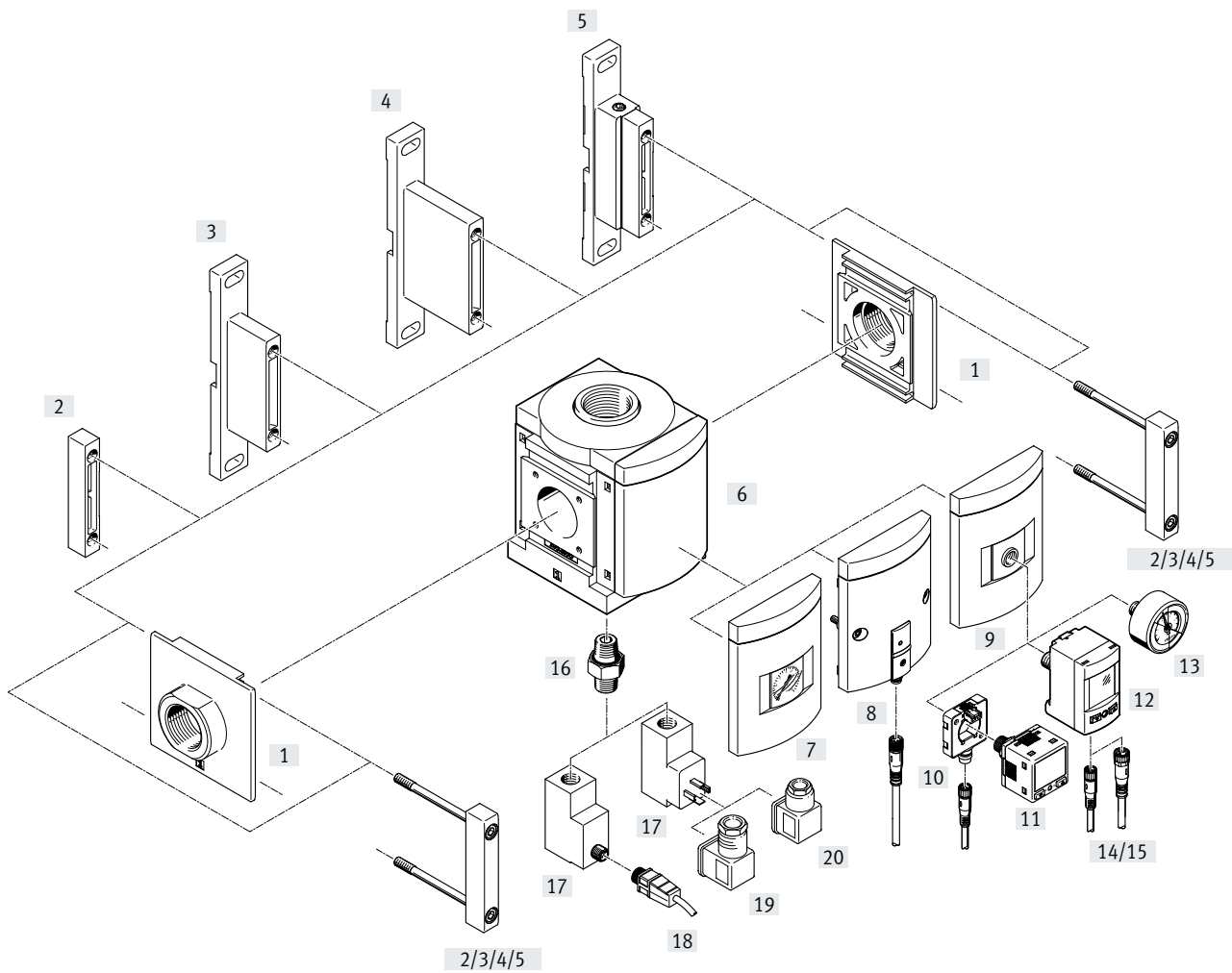
† Note: This product conforms to ISO 1179-1 and ISO 228-1.


### ★ Core Range

#### Ordering data

Size	Port 1, 2	Port 3, 4	Flow direction	Part no.	Type
MS4	Without connecting thread	G thread	–	★ 549336	MS4-FRM-FRZ
MS6		G thread	–	★ 549337	MS6-FRM-FRZ

Peripherals overview



 - **Note**

Additional accessories:

- Module connectors for combination with size MS6, MS9 or MS12  
→ Internet: rmv, armv

## Peripherals overview

Mounting attachments and accessories		Order code	→ Page/Internet
<b>Can be ordered via the modular product system</b>			
[1]	Connecting plate SET <sup>1)</sup>	[AG...]	30
	Connecting plate SET <sup>1)</sup>	[AQ...]	
[3]	Mounting bracket	[WP]	
[4]	Mounting bracket	[WPB]	
[5]	Mounting bracket	[WPM]	
[6]	Cover plate	[VS]	
[7]	MS pressure gauge	[AG]/[RG]	
[8]	Pressure sensor SDE5 with status indicator	[AD7]/[AD8]/[AD9]/[AD10]	
[9]	Adapter for EN pressure gauge 1/8, 1/4	[A8]/[A4]	
[17]	Pressure switch PEV <sup>2)</sup>	[X]/[Y]/[M12]	
<b>Can be ordered as accessories</b>			
[1]	Connecting plate SET	MS9-AG...	ms9-ag
	Connecting plate SET	MS9-AQ...	ms9-aq
[2]	Module connector	MS9-MV	ms9-mv
[3]	Mounting bracket	MS9-WP	ms9-wp
[4]	Mounting bracket	MS9-WPB	ms9-wp
[5]	Mounting bracket	MS9-WPM	ms9-wp
[10]	Electrical adapter	SASC	36
[11]	Pressure sensor	SPAN	36
[12]	Pressure sensor	SPAU-...T	36
[13]	Pressure gauge	MA	36
[14]	Connecting cable	NEBU-M8...-LE3	37
[15]	Connecting cable	NEBU-M8...-LE4/NEBU-M12...-LE4	37
[18]	Connecting cable	NEBU-M12...-LE4	37
[19]	Angled plug socket	PEV-1/4-WD-LED-...	37
[20]	Plug socket	MSSD-C-4P	37

1) Module connector [2] is included in the scope of delivery.

2) Double nipple [16] is included in the scope of delivery.

## Type codes

<b>001</b>	<b>Series</b>	
<b>MS</b>	MS series	

<b>002</b>	<b>Size</b>	
<b>9</b>	Grid dimension 90 mm	

<b>003</b>	<b>Function</b>	
<b>FRM</b>	Branching module	

<b>004</b>	<b>Pneumatic connection</b>	
<b>3/4</b>	Female thread G3/4	
<b>1</b>	Female thread G1	
<b>AGD</b>	Sub-base G1/2	
<b>AGE</b>	Sub-base G3/4	
<b>AGF</b>	Sub-base G1	
<b>AGG</b>	Sub-base G11/4	
<b>AGH</b>	Sub-base G11/2	
<b>N3/4</b>	3/4 NPT	
<b>N1</b>	1 NPT	
<b>AQR</b>	Sub-base 1/2 NPT	
<b>AQS</b>	Sub-base 3/4 NPT	
<b>AQT</b>	Sub-base 1 NPT	
<b>AQU</b>	Sub-base 1 1/4 NPT	
<b>AQV</b>	Sub-base 1 1/2 NPT	
<b>G</b>	Module without connecting thread, without sub-base	
<b>NG</b>	Module without connecting thread, without sub-base (inch)	

<b>005</b>	<b>Pressure gauge alternatives</b>	
<b>AG</b>	MS pressure gauge	
<b>VS</b>	Cover plate	
<b>A8</b>	Adapter for EN pressure gauge 1/8, without pressure gauge	
<b>A4</b>	Adapter for EN pressure gauge 1/4, without pressure gauge	
<b>RG</b>	Integrated pressure gauge, red/green scale	
<b>AD7</b>	Pressure sensor with switching display, M8 plug, threshold value comparator, PNP, N/O	
<b>AD8</b>	Pressure sensor with switching display, M8 plug, threshold value comparator, PNP, N/C	
<b>AD9</b>	Pressure sensor with switching display, M8 plug, window comparator, PNP, N/O	
<b>AD10</b>	Pressure sensor with operational status indicator, M8 plug, window comparator, PNP, N/C	

<b>006</b>	<b>Alternative pressure gauge scale</b>	
	MS pressure gauge	
<b>PSI</b>	psi	
<b>MPA</b>	MPa	
<b>BAR</b>	bar	

<b>007</b>	<b>Pressure switch</b>	
	None	
<b>X</b>	Pressure switch PEV with display, plug socket, EN 175301, type A, cube	
<b>Y</b>	Pressure switch PEV without display, plug socket, EN 175301, type A, cube	
<b>M12</b>	Pressure switch PEV without display, plug socket, round, M12, 4-pin	

<b>008</b>	<b>Type of mounting</b>	
	Without mounting bracket	
<b>WP</b>	Mounting bracket basic design	
<b>WPM</b>	Mounting bracket for hooking in service unit components	
<b>WPB</b>	Mounting bracket for large wall gap	

<b>009</b>	<b>EU certification</b>	
	None	
<b>EX4</b>	II 2GD	

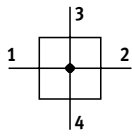
<b>010</b>	<b>UL certification</b>	
	None	
<b>UL1</b>	cULus ordinary location for Canada and USA	





<b>011</b>	<b>Flow direction</b>	
	Flow direction from left to right	
<b>Z</b>	Flow direction from right to left	



## Datasheet

## Function



-  Flow rate  
10000 ... 50000 l/min
-  Temperature range  
-10 ... +60°C
-  Operating pressure  
0 ... 20 bar
-  [www.festo.com](http://www.festo.com)



- Compressed air distributors with 4 connections
- Support for auxiliary modules
- Outlet at the top and underneath
- Can be used as an intermediate distributor for varying air qualities
- Optional device variant EX4 for use in potentially explosive areas in zones 1, 2, 21 and 22
- Optional pressure sensor

**General technical data**

Pneumatic connection 1, 2	
Female thread	G3/4, G1, 3/4 NPT or 1 NPT
Connecting plate [AG...]	G1/2, G3/4, G1, G1 1/4 or G1 1/2
[AQ...]	1/2 NPT, 3/4 NPT, 1 NPT, 1 1/4 NPT or 1 1/2 NPT
Module without connecting thread/connecting plate [G]/[NG]	–
Pneumatic connection 3, 4	
[3/4]/[1]/[AG...]/[G]	G1
[N3/4]/[N1]/[AQ...]/[NG]	1 NPT
Design	Branching module
Type of mounting	With accessories In-line installation Front panel mounting
Mounting position	Any <sup>1)</sup>
Pressure indication	With pressure sensor for indicating the output pressure via status indicator and electrical output Via pressure gauge for displaying the output pressure With pressure gauge with red/green scale for indicating the output pressure Prepared for G1/8 Prepared for G1/4

1) The branching module must be mounted vertically when combined with a pressure sensor as condensate must not collect in the pressure sensor.

† Note: This product conforms to ISO 1179-1 and ISO 228-1.

**Standard nominal flow rate  $q_{nN}^{1)}$  [l/min]**

Pneumatic connection 1, 2	G1/2, 1/2 NPT	G3/4, 3/4 NPT	G1, 1 NPT	G1 1/4, 1 1/4 NPT	G1 1/2, 1 1/2 NPT
In main flow direction 1 → 2	10000	25000	45000	47000	50000
Outlet at the top	13000				
Outlet underneath	13000				

1) Measured at  $p_1 = 6$  bar and  $p_2 = 5$  bar,  $\Delta p = 1$  bar.

**Electrical data<sup>1)</sup>**

Operating voltage range AC [V]	0 ... 250
Operating voltage range DC [V]	0 ... 125

1) Only in combination with pressure switch

## Datasheet

Operating and environmental conditions				
		Without pressure switch/pressure sensor	Pressure switch	Pressure sensor
Operating pressure	[bar]	0 ... 20	0 ... 12	0 ... 10
Operating medium		Compressed air to ISO 8573-1:2010 [7:4:4]		
Note on the operating/pilot medium		Lubricated operation possible		
Ambient temperature	[°C]	-10 ... +60	-10 ... +60	0 ... +50
Temperature of medium	[°C]	-10 ... +60	-10 ... +60	0 ... +50
Storage temperature	[°C]	-10 ... +60	-10 ... +60	-10 ... +60
Corrosion resistance class CRC <sup>1)</sup>		2		
UL certification <sup>2)</sup>		c UL us - Recognized (OL)		

1) More information [www.festo.com/x/topic/crc](http://www.festo.com/x/topic/crc)

2) More information: [www.festo.com/catalogue/ms-frm](http://www.festo.com/catalogue/ms-frm) → Support/Downloads.

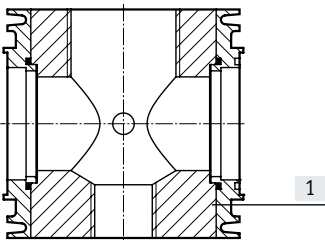
ATEX	
EU certification	[EX4]
ATEX category for gas	II 2G
Type of ignition protection for gas	Ex h IIC T6 Gb X
ATEX category for dust	II 2D
Type of ignition protection for dust	Ex h IIIC T60°C Db X
Explosion-proof ambient temperature	-10°C ≤ Ta ≤ +60°C
Explosion protection certification outside the EU	EPL Db (GB) EPL Gb (GB)
CE marking (see declaration of conformity) <sup>1)</sup>	To EU Explosion Protection Directive (ATEX)
UKCA marking (see declaration of conformity) <sup>1)</sup>	To UK explosion regulations

1) More information: [www.festo.com/catalogue/ms-frm](http://www.festo.com/catalogue/ms-frm) → Support/Downloads.

Weight [g]	
Branching module	1000
Branching module with pressure switch	1100

## Materials

### Sectional view



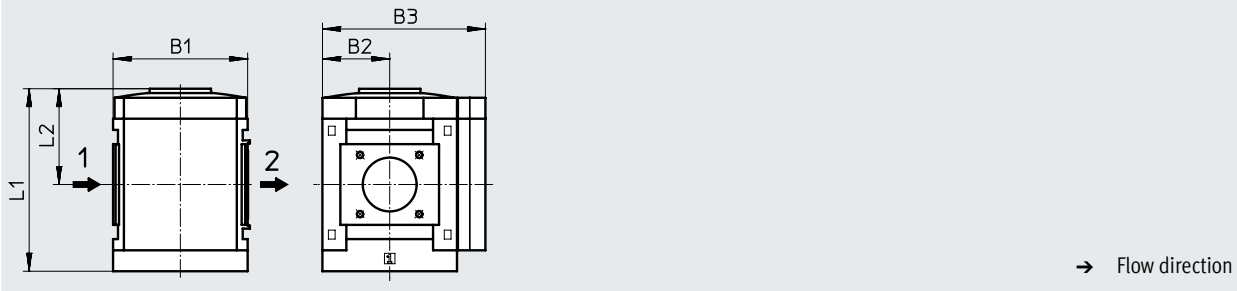
Branching module		
[1]	Housing	Die-cast aluminium
-	Covering	Reinforced PA
-	Connecting plate, module connector, mounting bracket	Die-cast aluminium
Note on materials		RoHS-compliant
LABS (PWIS) conformity		VDMA24364-B1/B2-L

Datasheet

Dimensions – Basic version

Download CAD data → [www.festo.com](http://www.festo.com)

[G]/[NG] Module without connecting thread, without connecting plate  
 [VS] Cover plate

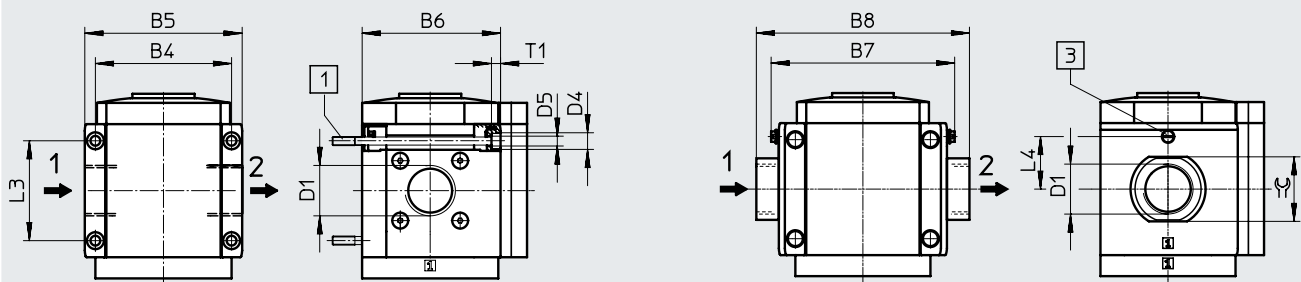


Type	B1	B2	B3	L1	L2
MS9-FRM-G/NG-VS	90	45	109	122	64

Dimensions – Female thread/connecting plate

Download CAD data → [www.festo.com](http://www.festo.com)

[3/4]/[1]/[N3/4]/[N1] Female thread [AG...]/[AQ...] Connecting plate



[1] Retaining screw M6xmin. 90 to DIN 912 (not included in the scope of delivery) for wall mounting without mounting bracket

[3] Earthing screw M4x8 (only with MS9-...-EX4)

→ Flow direction

Type	B4	B5	B6	B7		B8	D1	D4	D5	L3	L4		T1	≙
					[EX4]							[EX4]		
MS9-FRM-3/4	90	104	91.5	-	-	-	G3/4	11	6.5	66	-	6	-	
MS9-FRM-1						-	G1							
MS9-FRM-AGD	-	-	-	112	122	132	G1/2	-	-	-	35	-	30	
MS9-FRM-AGE						132	G3/4						36	
MS9-FRM-AGF						142	G1						41	
MS9-FRM-AGG						162	G1 1/4						50	
MS9-FRM-AGH						176	G1 1/2						55	
MS9-FRM-N3/4	90	104	91.5	-	-	-	3/4 NPT	11	6.5	66	-	6	-	
MS9-FRM-N1						-	1 NPT							
MS9-FRM-AQR	-	-	-	112	-	132	1/2 NPT	-	-	-	-	-	30	
MS9-FRM-AQS						132	3/4 NPT						36	
MS9-FRM-AQT						142	1 NPT						41	
MS9-FRM-AQU						162	1 1/4 NPT						50	
MS9-FRM-AQV						176	1 1/2 NPT						55	

Note: This product conforms to ISO 1179-1 and ISO 228-1.

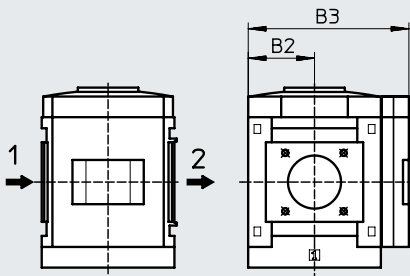
Datasheet

**Dimensions – Pressure gauges/adapters**

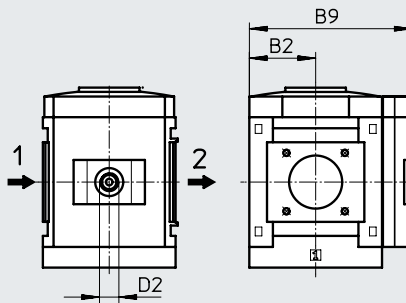
Download CAD data → [www.festo.com](http://www.festo.com)

- [AG] Integrated MS pressure gauge with standard scale
- [RG] Integrated MS pressure gauge with red/green scale

- [A8] Adapter for EN pressure gauge 1/8, without pressure gauge
- [A4] Adapter for EN pressure gauge 1/4, without pressure gauge



→ Flow direction



→ Flow direction

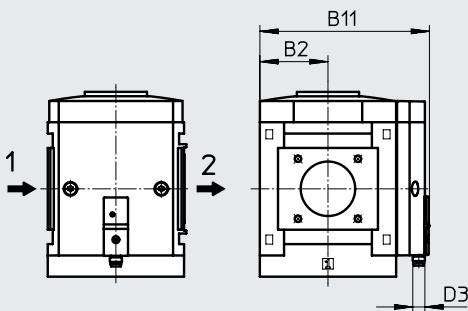
Type	B2	B3	B9	D2
MS9-FRM-...-AG/RG	45	109	–	–
MS9-FRM-...-A8		–	110	G1/8
MS9-FRM-...-A4				G1/4

**Dimensions – Pressure sensor**

Download CAD data → [www.festo.com](http://www.festo.com)

- [AD7]/[AD8]/[AD9]/[AD10] Pressure sensor with status indicator

Datasheets → Internet: sde5



→ Flow direction

[AD7]:  
SDE5-D10-O-...-P-M8 with 3-pin M8x1 plug, threshold value comparator, 1 switching output PNP, N/O contact

[AD8]:  
SDE5-D10-C-...-P-M8 with 3-pin M8x1 plug, threshold value comparator, 1 switching output PNP, N/C contact

[AD9]:  
SDE5-D10-O3-...-P-M8 with 3-pin M8x1 plug, window comparator, 1 switching output PNP, N/O contact

[AD10]:  
SDE5-D10-C3-...-P-M8 with 3-pin M8x1 plug, window comparator, 1 switching output PNP, N/C contact

Type	B2	B11	D3
MS9-FRM-...-AD7/AD8/AD9/AD10	45	112	M8

## Datasheet

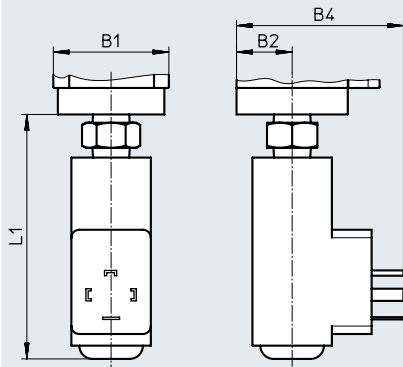
**Dimensions – Pressure switch**

 Download CAD data → [www.festo.com](http://www.festo.com)

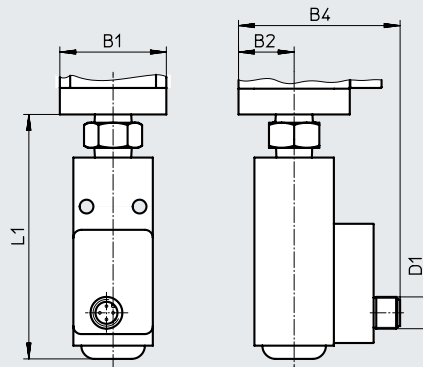
Datasheets → Internet: pev-1/4

[X]/[Y]/[M12] Pressure switch with adjustable pressure switching point

[X]/[Y]



[M12]



[X]:

PEV-1/4-SC-0D with display, plug, square design to EN 175 301, type A

[Y]:

PEV-1/4-B-0D, plug, square design to EN 175 301, type A

[M12]:

PEV-1/4-B-M12 with 4-pin plug M12x1

Type	B1	B2	B4	D1	L1
MS9-FRM-...-X/Y	90	45	87	–	105
MS9-FRM-...-M12	90	45	85	M12x1	105

**Ordering data**

## Cover plate

Size	Port 1, 2	Port 3, 4	Flow direction	Part no.	Type
MS9	Without connecting thread	G thread	From left to right	<b>564145</b>	<b>MS9-FRM-G-VS</b>
		NPT thread	From left to right	<b>564148</b>	<b>MS9-FRM-NG-VS</b>
<b>With pressure switch PEV-1/4-B-0D</b>					
MS9	Without connecting thread	G thread	From left to right	<b>564147</b>	<b>MS9-FRM-G-VS-Y</b>
		NPT thread	From left to right	<b>564150</b>	<b>MS9-FRM-NG-VS-Y</b>

## Ordering data – Modular product system

Ordering table		Grid dimension	[mm]	90	Conditions	Code	Enter code
Module no.	<b>562534</b>						
Series	Standard					<b>MS</b>	MS
Size	9					<b>9</b>	9
Function	Branching module					<b>-FRM</b>	-FRM
Pneumatic connection	Female thread G3/4	[1]				<b>-3/4</b>	
	Female thread G1	[1]				<b>-1</b>	
	Connecting plate G1/2					<b>-AGD</b>	
	Connecting plate G3/4					<b>-AGE</b>	
	Connecting plate G1					<b>-AGF</b>	
	Connecting plate G1 1/4					<b>-AGG</b>	
	Connecting plate G1 1/2					<b>-AGH</b>	
	Female thread 3/4 NPT	[1]				<b>-N3/4</b>	
	Female thread 1 NPT	[1]				<b>-N1</b>	
	Connecting plate 1/2 NPT	[1]				<b>-AQR</b>	
	Connecting plate 3/4 NPT	[1]				<b>-AQS</b>	
	Connecting plate 1 NPT	[1]				<b>-AQT</b>	
	Connecting plate 1 1/4 NPT	[1]				<b>-AQU</b>	
	Connecting plate 1 1/2 NPT	[1]				<b>-AQV</b>	
	Module without connecting thread, without connecting plate	[1]				<b>-G</b>	
	Module without connecting thread, without connecting plate (pneumatic connections 3 and 4 in NPT)	[1]				<b>-NG</b>	
Pressure gauge/adapter	MS pressure gauge					<b>-AG</b>	
	Cover plate					<b>-VS</b>	
	Adapter for EN pressure gauge 1/8, without pressure gauge					<b>-A8</b>	
	Adapter for EN pressure gauge 1/4, without pressure gauge					<b>-A4</b>	
	Integrated pressure gauge, red/green scale	[2]				<b>-RG</b>	
	Pressure sensor with status indicator, plug M8, threshold value comparator, PNP, N/O contact	[1] [3]				<b>-AD7</b>	
	Pressure sensor with status indicator, plug M8, threshold value comparator, PNP, N/C contact	[1] [3]				<b>-AD8</b>	
	Pressure sensor with status indicator, M8 plug, window comparator, PNP, N/O contact	[1] [3]				<b>-AD9</b>	
	Pressure sensor with status indicator, M8 plug, window comparator, PNP, N/C contact	[1] [3]				<b>-AD10</b>	
Alternative pressure gauge scale	None	[4]					
	psi	[5]				<b>-PSI</b>	
	MPa	[5]				<b>-MPA</b>	
	bar	[5]				<b>-BAR</b>	
Pressure switch	Without pressure switch						
	Pressure switch PEV with display, plug socket, EN 175301, type A, square	[1] [6]				<b>-X</b>	
	Pressure switch PEV without display, plug socket, EN 175301, type A, square	[1] [6]				<b>-Y</b>	
	Pressure switch PEV without display, plug socket, round, M12, 4-pin	[1] [6]				<b>-M12</b>	
Type of mounting	Without mounting bracket						
	Mounting bracket standard design	[7]				<b>-WP</b>	
	Mounting bracket for hooking in service unit components	[1] [7]				<b>-WPM</b>	
	Mounting bracket for large wall gap	[7]				<b>-WPB</b>	
EU certification	None						
	II 2GD to EU Explosion Protection Directive (ATEX)					<b>-EX4</b>	
UL certification	None						
	cULus, ordinary location for Canada and USA					<b>-UL1</b>	
Flow direction	Flow direction from left to right						
	Flow direction from right to left					<b>-Z</b>	

[1] 3/4, 1, N3/4, N1, Not with EU EX4 certification.

AQR, AQS, AQT,  
AQU, AQV, G, NG,  
AD7 ... AD10, X, Y,  
M12, WPM

[2] RG Not with alternative pressure gauge scale PSI, PSI scale is only used as an auxiliary scale.

[3] AD7 ... AD10 Measuring range max. 10 bar.

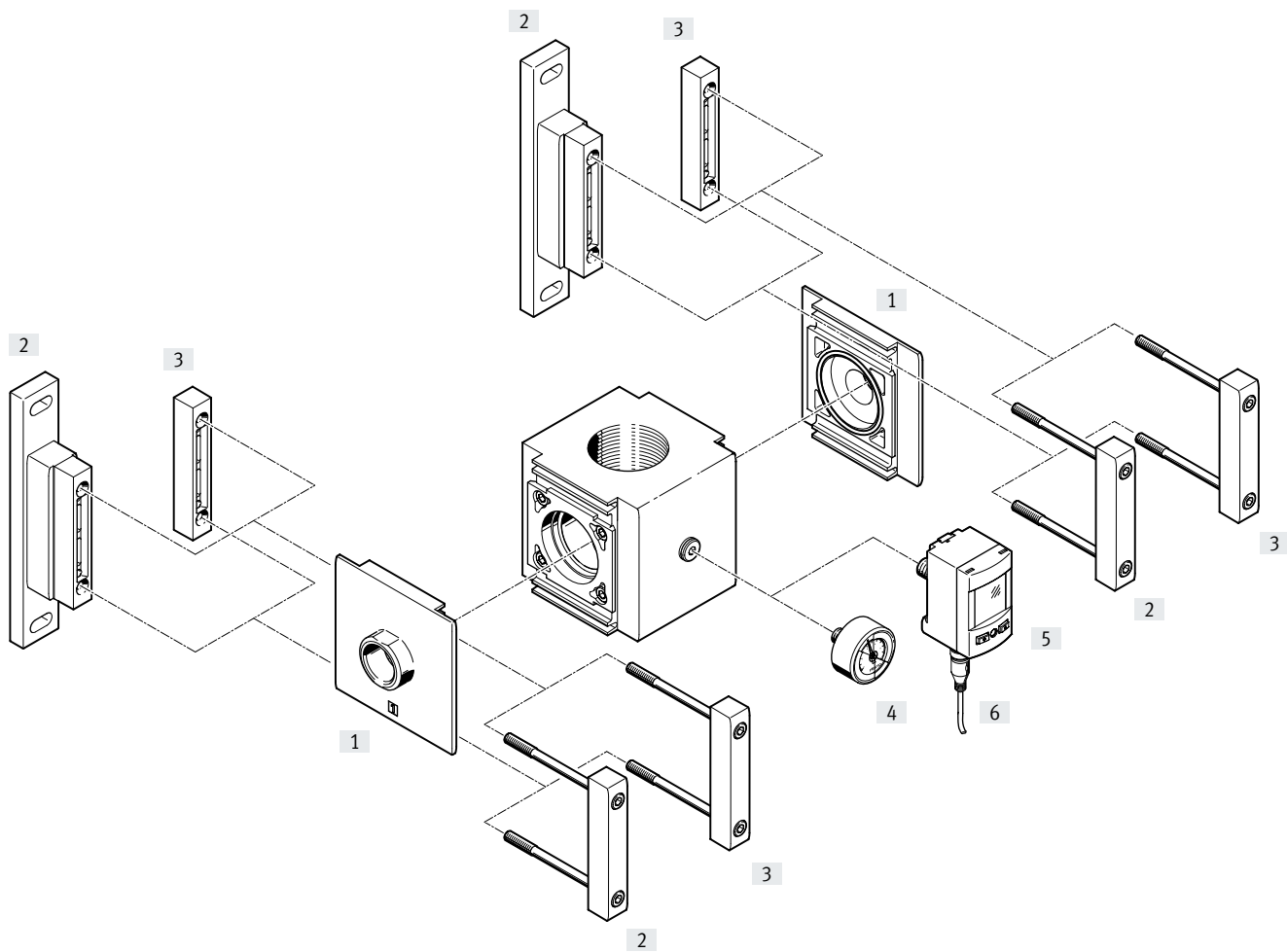
[4] – Not with pressure gauge AG, RG.

[5] PSI, MPA, BAR Not with adapter VS, A8, A4, AD7, AD8, AD9, AD10.

[6] X, Y, M12 Max. permissible operating pressure P1 = 12 bar.

[7] WP, WPM, WPB Not with pneumatic connection G, NG.

## Peripherals overview



**Note**  
 Additional accessories:  
 • Module connector for combination with size MS9  
 → Internet: armv

Mounting attachments and accessories		Order code	→ Page/Internet
<b>Can be ordered via the modular product system</b>			
[1]	Connecting plate SET <sup>1)</sup>	[AG...]	35
[2]	Mounting bracket	[WP]	
<b>Can be ordered as accessories</b>			
[1]	Connecting plate SET	MS12-AG...	ms12-ag
[2]	Mounting bracket	MS12-WP	ms12-wp
[3]	Module connector	MS12-MV	ms12-mv
[4]	Pressure gauge	MA-...-G1/4, MA-...-R1/4	36
[5]	Pressure sensor	SPAU-...-TR14M	36
[6]	Connecting cable	NEBU-M8...-LE4, NEBU-M12...-LE4	37

1) Module connector [3] is included in the scope of delivery.

## Type codes

001	Series
MS	MS series

002	Size
12	Grid dimension 124 mm

003	Function
FRM	Branching module

004	Pneumatic connection
AGF	Sub-base G1
AGG	Sub-base G1 1/4
AGH	Sub-base G1 1/2
AGI	Sub-base G2
G	Module without connecting thread, without sub-base

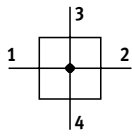
  





005	Type of mounting
	Without mounting bracket
WP	Mounting bracket basic design



## Datasheet

## Function



-  - Flow rate  
25000 ... 42000 l/min
-  - Temperature range  
-10 ... +60°C
-  - Operating pressure  
0 ... 20 bar
-  - [www.festo.com](http://www.festo.com)



- Compressed air distributors with 4 connections
- Support for auxiliary modules
- Outlet at the top and underneath
- Can be used as an intermediate distributor for varying air qualities

**General technical data**

Pneumatic connection 1, 2	
Connecting plate [AG...]	G1, G1 1/4, G1 1/2 or G2
Module without connecting thread/connecting plate [G]	-
Pneumatic connection 3	G2
Pneumatic connection 4	G1
Design	Branching module
Type of mounting	With accessories In-line installation
Mounting position	Any

† Note: This product conforms to ISO 1179-1 and ISO 228-1.

**Standard nominal flow rate  $q_{nN}^{1)}$  [l/min]**

In main flow direction 1 → 2	25000 ... 42000
------------------------------	-----------------

1) Dependent on the connecting plate selected. Must be ordered separately as an accessory → Internet: ms12-ag  
Measured at  $p_1 = 6$  bar and  $p_2 = 5$  bar,  $\Delta p = 1$  bar.

**Operating and environmental conditions**

Operating pressure [bar]	0 ... 20
Operating medium	Compressed air to ISO 8573-1:2010 [---:--]
Ambient temperature [°C]	-10 ... +60
Temperature of medium [°C]	-10 ... +60
Storage temperature [°C]	-10 ... +60
Corrosion resistance class CRC <sup>1)</sup>	2

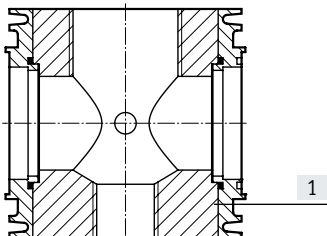
1) More information [www.festo.com/x/topic/crc](http://www.festo.com/x/topic/crc)

## Datasheet

<b>Weight [g]</b>	
Branching module	3000

### Materials

Sectional view

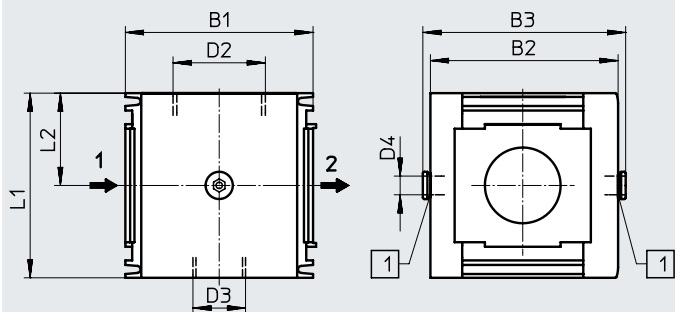


Branching module		
[1]	Housing	Die-cast aluminium
-	Seals	NBR
-	Connecting plate, module connector, mounting bracket	Die-cast aluminium
LABS (PWIS) conformity		VDMA24364-B1/B2-L

### Dimensions – Basic version

Download CAD data → [www.festo.com](http://www.festo.com)

[G] Module without connecting thread, without connecting plate



[1] Female thread G1/4 in housing, sealed with plug screw as standard

→ Flow direction

Type	B1	B2	B3	D2	D3	D4	L1	L2
MS12-FRM-G	124	124	134	G2	G1	G1/4	122	61

† Note: This product conforms to ISO 1179-1 and ISO 228-1.

### Ordering data


Size	Port 1, 2	Port 3, 4	Flow direction	Part no.	Type
MS12	Without connecting thread	G thread	From left to right	<b>541681</b>	<b>MS12-FRM-G</b>



## Ordering data – Modular product system


Ordering table		Grid dimension	[mm]	124	Conditions	Code	Enter code
Module no.		<b>535035</b>					
Series		Standard				<b>MS</b>	MS
Size		12				<b>12</b>	12
Function		Branching module				<b>-FRM</b>	-FRM
Pneumatic connection		Connecting plate G1				<b>-AGF</b>	
		Connecting plate G1 1/4				<b>-AGG</b>	
		Connecting plate G1 1/2				<b>-AGH</b>	
		Connecting plate G2				<b>-AGI</b>	
		Module without connecting thread, without connecting plate				<b>-G</b>	
Type of mounting		Without mounting bracket					
		Mounting bracket standard design			[1]	<b>-WP</b>	


[1] WP Only with connecting plate AGF, AGG, AGH or AGI.

## Accessories

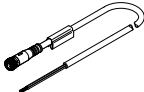
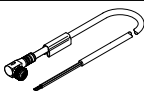
Ordering data – Pressure gauge MA						
	Nominal size	Pneumatic connection	Indicator range		Part no.	Type
			[bar]	[psi]		
	<b>Pressure gauge MA, EN 837-1</b> <span style="float: right;">Datasheets → Internet: ma</span>					
	40	R1/4	0 ... 16	0 ... 232	<b>187080</b>	<b>MA-40-16-R1/4-EN</b>
		G1/4	0 ... 16	0 ... 232	<b>183901</b>	<b>MA-40-16-G1/4-EN</b>
	<b>Pressure gauge MA, EN 837-1, with red/green range</b> <span style="float: right;">Datasheets → Internet: ma</span>					
40	R1/8	0 ... 16	–	<b>525726</b>	<b>MA-40-16-R1/8-E-RG</b>	
50	R1/4	0 ... 16	–	<b>525729</b>	<b>MA-50-16-R1/4-E-RG</b>	

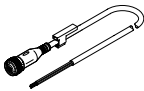
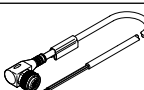
Ordering data – Pressure sensor SPAU						
	Pneumatic connection	Display type	Switching output	Electrical connection	Part no.	Type
	Male thread R1/8	Illuminated LCD	2x PNP or 2x NPN switchable	M8x1, 4-pin	<b>8001203</b>	<b>SPAU-P10R-T-R18M-L-PNLK-PNVBA-M8D</b>
				M12x1, 4-pin	<b>8001206</b>	<b>SPAU-P10R-T-R18M-L-PNLK-PNVBA-M12D</b>
	Male thread R1/4			M8x1, 4-pin	<b>8001209</b>	<b>SPAU-P10R-T-R14M-L-PNLK-PNVBA-M8D</b>
				M12x1, 4-pin	<b>8001208</b>	<b>SPAU-P10R-T-R14M-L-PNLK-PNVBA-M12D</b>
<b>Order code from modular product system [AD11]/[AD12]: for mounting on flange, pressure measuring range 0 ... 10 bar, relative pressure measurement</b>						
	Flange MS4	Illuminated LCD	2x PNP or 2x NPN switchable	M8x1, 4-pin	<b>8035302</b>	<b>SPAU-P10R-MS4-F-L-PNLK-PNVBA-M8D</b>
				M12x1, 4-pin	<b>8035304</b>	<b>SPAU-P10R-MS4-F-L-PNLK-PNVBA-M12D</b>
	Flange MS6			M8x1, 4-pin	<b>8035303</b>	<b>SPAU-P10R-MS6-F-L-PNLK-PNVBA-M8D</b>
				M12x1, 4-pin	<b>8074906</b>	<b>SPAU-P10R-MS6-F-L-PNLK-PNVBA-M12D</b>

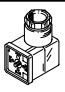
Ordering data – Electrical adapter SASC						
	Description	Electrical connection	Part no.	Type		
	For pressure sensor SPAN	M8x1, 4-pin	<b>8000326</b>	<b>SASC-P4-A-M8-A</b>		

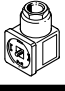
Ordering data – Pressure sensor SPAN						
	Pneumatic connection	Display type	Switching output	Analogue output	Part no.	Type
	Male thread G1/8	Illuminated LCD	2x PNP or 2x NPN switchable	–	★ <b>8035544</b>	<b>SPAN-P10R-G18M-PN-PN-L1</b>
				0 ... 10 V, 0 ... 5 V, 4 ... 20 mA	<b>8035533</b>	<b>SPAN-P10R-G18M-PNLK-PNVBA-L1</b>
	Male thread R1/8			–	★ <b>8035547</b>	<b>SPAN-P10R-R18M-PN-PN-L1</b>
				0 ... 10 V, 0 ... 5 V, 4 ... 20 mA	<b>8035536</b>	<b>SPAN-P10R-R18M-PNLK-PNVBA-L1</b>


## Accessories


Ordering data – Connecting cable NEBU-M8					Datasheets → Internet: nebu
	Electrical connection	Number of wires	Cable length [m]	Part no.	Type
	M8x1, straight socket	3	2.5	★ 541333	NEBU-M8G3-K-2.5-LE3
			5	★ 541334	NEBU-M8G3-K-5-LE3
		4	2.5	541342	NEBU-M8G4-K-2.5-LE4
			5	541343	NEBU-M8G4-K-5-LE4
	M8x1, angled socket	3	2.5	★ 541338	NEBU-M8W3-K-2.5-LE3
			5	★ 541341	NEBU-M8W3-K-5-LE3
		4	2.5	541344	NEBU-M8W4-K-2.5-LE4
			5	541345	NEBU-M8W4-K-5-LE4

Ordering data – Connecting cable NEBU-M12					Datasheets → Internet: nebu
	Electrical connection	Number of wires	Cable length [m]	Part no.	Type
	M12x1, straight socket	3	2.5	★ 541363	NEBU-M12G5-K-2.5-LE3
			5	★ 541364	NEBU-M12G5-K-5-LE3
		4	2.5	★ 550326	NEBU-M12G5-K-2.5-LE4
			5	★ 541328	NEBU-M12G5-K-5-LE4
	M12x1, angled socket	3	2.5	541367	NEBU-M12W5-K-2.5-LE3
			5	541370	NEBU-M12W5-K-5-LE3
		4	2.5	550325	NEBU-M12W5-K-2.5-LE4
			5	541329	NEBU-M12W5-K-5-LE4

Ordering data – Angled plug socket PEV					Datasheets → Internet: pev-1/4	
	Description	Operating voltage range	Electrical connection	Switching status indication	Part no.	Type
	For PEV-1/4-...-OD	15 .... 30 V DC	4-pin	Yellow LED	164274	PEV-1/4-WD-LED-24
		≤ 230 V AC ≤ 180 V DC	4-pin	Yellow LED	164275	PEV-1/4-WD-LED-230

Ordering data – Plug socket MSSD					Datasheets → Internet: mssd-c-4p	
	Description	Operating voltage range	Electrical connection	Type of mounting for cable connection	Part no.	Type
	For PEV-1/4-...-OD	≤ 250 V AC/DC	3-pin	Clamping screws	171157	MSSD-C-4P

Ordering data – Double nipple ESK					Datasheets → Internet: esk
	Description	Pneumatic connection		Part no.	Type
	For subsequent mounting of pressure switch PEV on branching module MS-FRM	R1/4	R1/4	151521	ESK-1/4-1/4
			R1/2	534153	ESK-1/4-1/2

Ordering data – Plug screw NPQR-BK					Datasheets → Internet: npqr
	Description	Pneumatic connection Anschluss	Part no.	Type	
	For branching modules MS4-FRM-1/4-...-F1A	G1/4	8085674	NPQR-BK-G14	
	For branching modules MS6-FRM-1/2-...-F1A	G1/2	8085676	NPQR-BK-G12	