

Flanged precision pressure gauge FMAP, MAP

FESTO



Characteristics

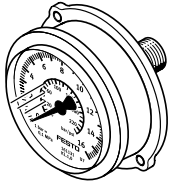
At a glance

Precision pressure gauge to DIN EN 837-1 for front panel (FMAP) or line installation (MAP).

- Pneumatic connection via R or G thread
- Display units bar, psi

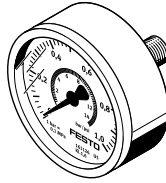
Series

[FMAP] Flanged precision pressure gauge FMAP



Intended for front panel mounting.

[MAP] Precision pressure gauge MAP



Intended for direct mounting.

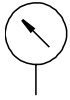
Type code

001	Series
FMAP	Flanged precision pressure gauge FMAP
MAP	Precision pressure gauge MAP
002	Measurement accuracy
1	1 FS
1.6	1.6 FS
003	Size
40	Diameter 40 mm
63	Diameter 63 mm

004	Display range
1	0 ... 1
4	0 ... 4
6	0 ... 6
16	0 ... 16
005	Pneumatic connection
G14	G1/4
R18	R1/8
006	Pressure gauge type
EN	Round pressure gauge according to standard

Datasheet

General technical data



Nominal size of pressure gauge	40	63
Pneumatic connection	R1/8	G1/4
Design	Bourdon tube pressure gauge	
Type of mounting	In-line installation	Front panel mounting
Position of connection	Centred, rear side	
Alternating load factor	0.66	
Measurement accuracy class	1.6	1
Degree of protection	IP43	
Conforms to standard	EN 837-1	

Operating and environmental conditions

Operating pressure	0 ... 1.6 MPa	
Operating pressure	0 ... 16 bar	
Operating pressure	0 ... 232 psi	
Operating medium	Inert gases, Neutral fluids	
Note on operating and pilot medium	No acetylene, No oxygen	
Ambient temperature	-20 ... 60°C	
Media temperature	-20 ... 60°C	

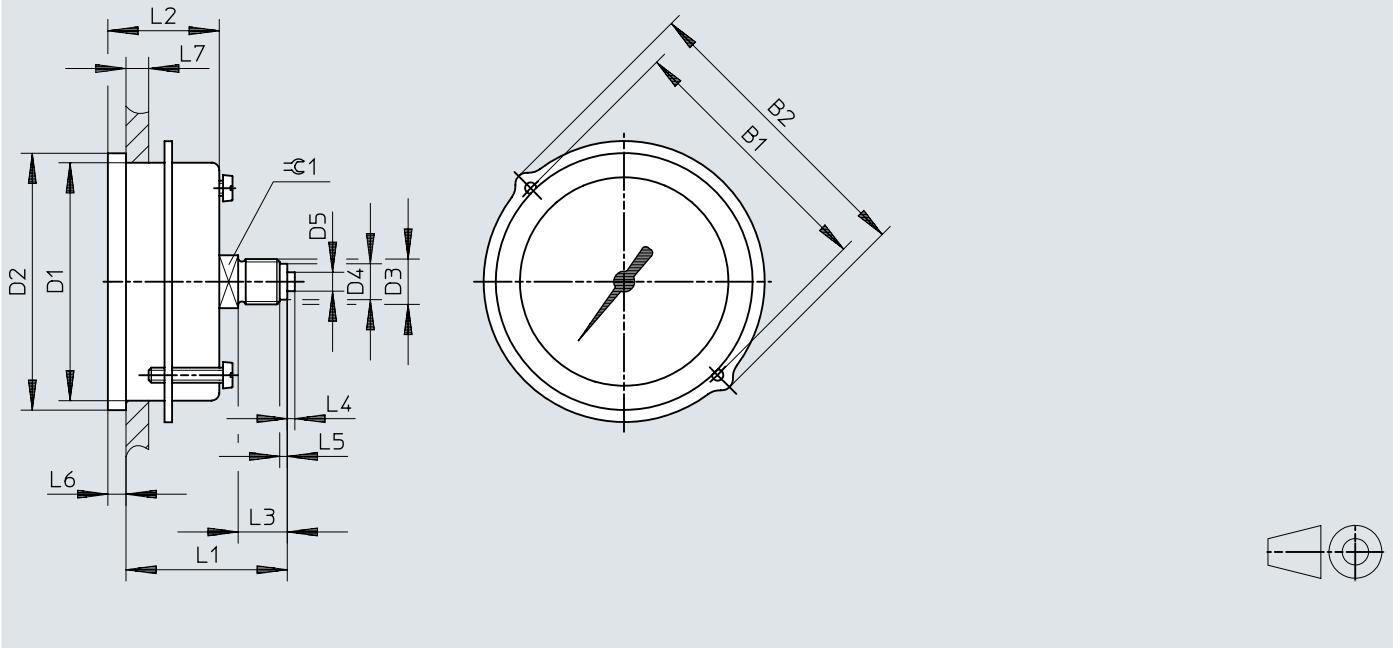
Materials

Nominal size of pressure gauge	40	63
Material housing	PBT	ABS
Material screen	PS	SAN
Material screwed plug	Brass	
Material in contact with the medium	Brass	
Housing colour	Black	
LABS (PWS) conformity	VDMA24364-B1/B2-L	

Dimensions

Dimensions – FMAP-63-...-EN

Download CAD data → www.festo.com

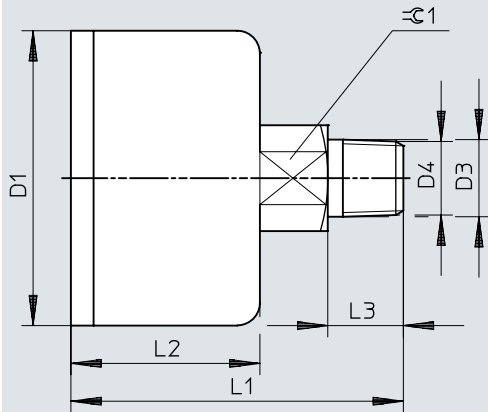


	B1	B2	D1 ∅	D2 ∅	D3	D4 ∅	D5 ∅	L1	L2	L3	L4	L5	L6	L7 max.	≈∅ 1
FMAP-63-...-EN	70 +0,3	79	63 +0,2	68 -0,2	G1/4	9,5	5	42,5 ±1	29,5 +0,3	13 +0,3	2	2	4,8	15	14

Dimensions

Dimensions – Precision pressure gauge MAP

Download CAD data → www.festo.com



	D1 ∅ +0,1/-0,2	D3	D4 ∅	L1	L2 +0,5	L3	≈ 1
MAP-40-...-EN	39	R1/8	10,2	44	25	10	14

Ordering data

Ordering data – nominal size 40					
Pneumatic connection	Indicating range	Indicating range	Product weight	Part no.	Type
R1/8	0 ... 1 bar	0 ... 14.5 psi	60 g	161126	MAP-40-1-1/8-EN
	0 ... 4 bar	1 ... 58 psi		162842	MAP-40-4-1/8-EN
	0 ... 6 bar	1 ... 87 psi		161127	MAP-40-6-1/8-EN
	0 ... 16 bar	0 ... 232 psi		161128	MAP-40-16-1/8-EN

Ordering data – nominal size 63					
Pneumatic connection	Indicating range	Indicating range	Product weight	Part no.	Type
G1/4	0 ... 1 bar	0 ... 14.5 psi	120 g	161129	FMAP-63-1-1/4-EN
	0 ... 4 bar	1 ... 58 psi		162843	FMAP-63-4-1/4-EN
	0 ... 6 bar	1 ... 87 psi		161130	FMAP-63-6-1/4-EN
	0 ... 16 bar	0 ... 232 psi		161131	FMAP-63-16-1/4-EN