

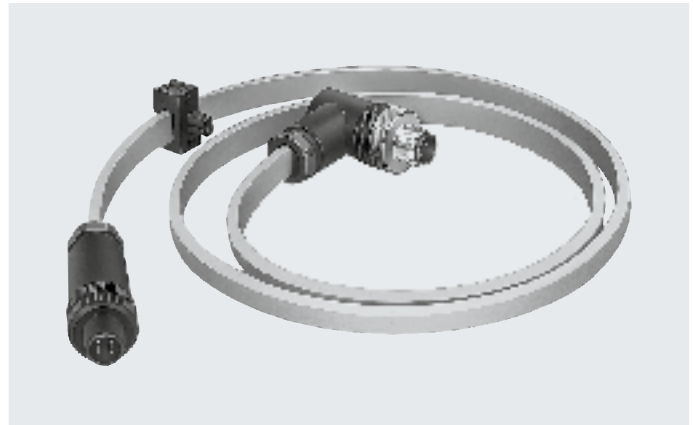
Type codes

001	Series	002	Use
KASI	Connecting cable for AS-Interface	ADR	Addressing cable

Data sheet

Addressing cable KASI-ADR

- T-distributor
- Pre-assembled at three ends
- For connecting the AS-Interface addressing device to any AS-Interface slaves
- Cable length 2.5 m



General technical data

Distributor type	2 to 1
Protocol	AS-Interface
Design	T-distributor with cable at both ends
Cable designation	Without inscription label holder

Technical data – Electrical connection 1

Function	Field device side
Connection type	Socket
Cable outlet	Angled
Design	Rectangular
Connection technology	AS-Interface
Number of pins/wires	2
Assigned pins/wires	2
Type of mounting	Plug-in

Technical data – Electrical connection 2

Function	Field device side
Connection type	Socket
Cable outlet	Straight
Design	Round
Connection technology	M12x1, A-coded to EN 61076-2-101
Number of pins/wires	4
Assigned pins/wires	2
Type of mounting	Plug-in

Technical data – Electrical connection 3

Function	Controller side
Connection type	Plug
Cable outlet	Angled
Design	Round
Connection technology	M12x1, A-coded to EN 61076-2-101
Number of pins/wires	4
Assigned pins/wires	2
Type of mounting	Plug-in

Technical data – Electrics

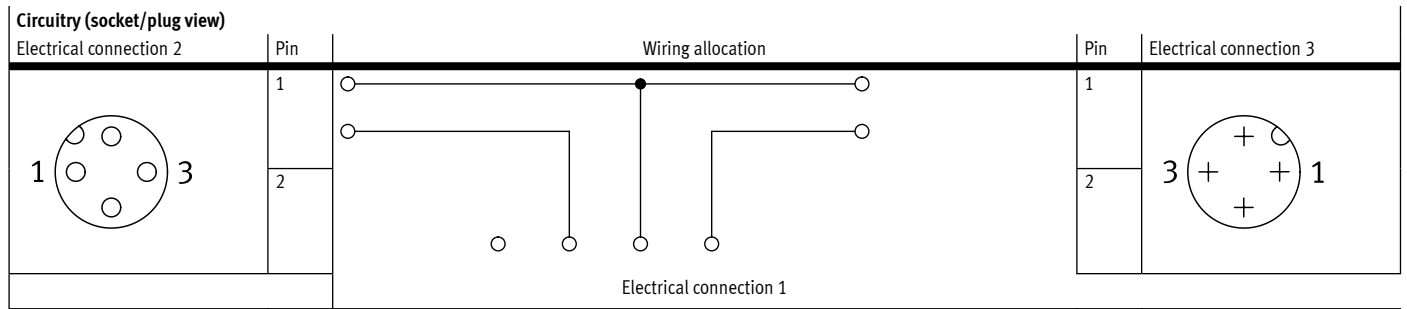
Operating voltage range	[V DC]	0 ... 48
	[V AC]	0 ... 48
Surge resistance	[kV]	0.5
Acceptable current load at 40°C	[A]	3
Pollution degree		2
Additional functions	Connecting the programming device to an AS-Interface component via AS-i flat cable.	

Data sheet

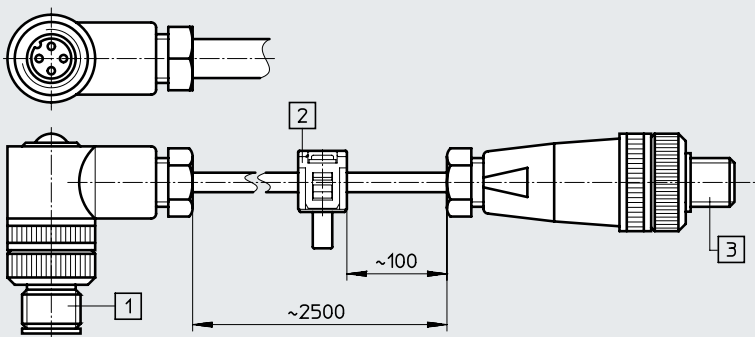
Technical data – Cable		
Cable length 1	[m]	2.4
Cable length 2	[m]	0.1
Cable composition	[mm ²]	2x1.5
Nominal conductor cross section	[mm ²]	1.5
Cable characteristic		Standard
Cable test conditions		Test conditions on request

Materials	
Housing colour	Black
Cable sheath	Rubber compound
Cable sheath colour	Yellow
Note on materials	RoHS-compliant

Operating and environmental conditions		
Ambient temperature	[°C]	-40 ... +85
Ambient temperature with flexible cable installation	[°C]	-25 ... +80
Degree of protection		IP20
Note on degree of protection		In assembled state



Dimensions



Download CAD data → www.festo.com

- [1] Connection for addressing device
- [2] Connection for AS-Interface slave
- [3] Connection for AS-Interface slave, M12x1

Ordering data	Cable length [m]	Part no.	Type
Socket M12x1, 4-pin – AS-Interface socket, 2-pin – plug M12x1, 4-pin	2.5	18960	KASI-ADR