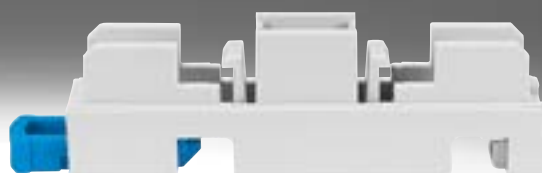


Mounting plates VN-T

FESTO



Mounting plates VN-T

Data sheet

Mounting plate VN-T...-NRH

For vacuum generator VN

→ Internet: vn

For mounting on H-rail or via through-hole

Ambient temperature: 0 ... +60°C

Material:

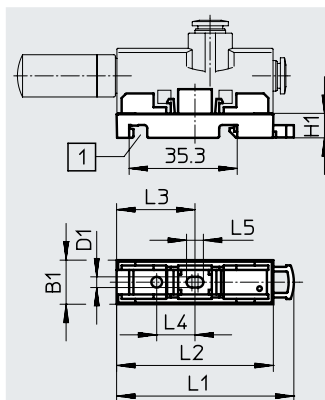
Plate VN-T2/T3/T4: Reinforced POM

Plate VN-T6: Reinforced PA

Slide: POM

RoHS-compliant

Free of copper and PTFE



Note
Horizontal wall mounting is not permitted with mounting plate VN-T6-BP-NRH.

[1] Suitable for H-rail 35x7.5 to DIN EN 50 022

Dimensions and ordering data

Width [mm]	B1	D1	H1	L1	L2	L3	L4	L5	CRC ¹⁾	Weight [g]	Part no.	Type
10	10.4	3.5	8	56.5	51	25.5	12.5	5.5	2	3.5	196951	VN-T2-BP-NRH
14	14.4	3.5	8	57.9	51.2	25.6	12.5	5.5	2	4.5	193641	VN-T3-BP-NRH
18	18.4									5.5	195279	VN-T4-BP-NRH
24	24	4.3	7.3	98	91	45.5	32.5	6.3	2	12.4	196956	VN-T6-BP-NRH

1) Corrosion resistance class CRC 2 to Festo standard FN 940070

Moderate corrosion stress. Indoor applications in which condensation can occur. External visible parts with primarily decorative surface requirements which are in direct contact with a normal industrial environment.

Mounting plate VN-T

For vacuum generator VN-A/B/M

→ Internet: vn

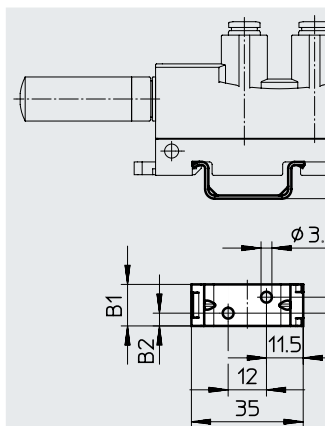
For wall mounting via through-hole for housing type T3/T4

Material:

Plate: Galvanised steel

RoHS-compliant

Free of copper and PTFE



Note

Mounting plate VN-T6-BP-NRH should be used for housing type T6.

Dimensions and ordering data

Width [mm]	B1	B2	CRC ¹⁾	Weight [g]	Part no.	Type
14	13	4	2	4.8	547436	VN-T3-BP
18	17	6		6.4	547437	VN-T4-BP

1) Corrosion resistance class CRC 2 to Festo standard FN 940070

Moderate corrosion stress. Indoor applications in which condensation can occur. External visible parts with primarily decorative surface requirements which are in direct contact with a normal industrial environment.