

## Hand lever valve VHER

**FESTO**



## Characteristics

### At a glance

**Powerful:**

- Flow rate 170 ... 3800 l/min

**Flexible:**

- Connection M5, G1/8, G1/4, G1/2
- 3/3-way valve; the hand lever valves VHER can be used as a 3/3-way valve by closing port 2

**Practical:**

- These valves can be used to stop single-acting cylinders (3/3-way valve) or double-acting cylinders within the stroke range.
- With the mid-position closed, the piston of the drive moves until the forces are in equilibrium.
- In the mid-position exhausting, the piston can be moved manually, only the frictional forces have to be overcome.
- In the mid-position exhausting, the same pressure is applied to port 2 and 4. The piston is not moved (with the same surface areas).

**Operation with different pressures (vacuum operation):**

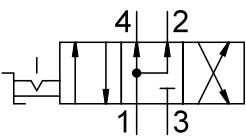
- The direction of flow of the valves VHER-B43 is clearly defined and cannot be reversed. Vacuum must only be connected to port 3 in order to maintain the flow direction. Vacuum operation at port 3: -0.95 ... 0 bar
- During vacuum operation, the valve function changes from exhausted (VHER...-B43E...) to pressurised (VHER....-B43U...) and vice versa.
- Note: A filter must be installed upstream of valves operated in vacuum mode. This prevents any foreign matter in the intake air getting into the valve (e.g. when operating a suction cup).
- Note: Vacuum must not be connected to port 1.

**Two-pressure operation:**

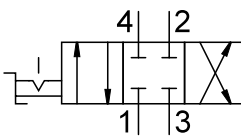
- The VHER-B43 valves are suitable for dual-pressure operation. Please note that for design reasons compressed air may only be applied to port 1 and 3.
- Note: In the case of dual-pressure operation, the higher pressure must always be applied to port 1.

### Valve function

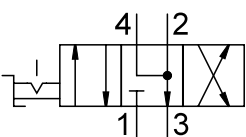
[B43U] 4/3-way valve, detenting, mid-position pressurised



[B43C] 4/3-way valve, detenting, mid-position closed



[B43E] 4/3-way valve, detenting, mid-position exhausted



### Product segmentation



**Festo Core Range**

Solves the majority of your automation tasks

With the Festo Core Range, we have selected the most important products and functions from our broad product catalogue, and added the quickest delivery. The Core Range offers you the best value with the expected high Festo quality.

- Quickest delivery, worldwide – wherever, whenever
- Expected high Festo quality
- Easy and fast to select

## Type code

001	Series
VHER	Hand lever valve with detent

002	Product version
	Standard
P	Mainly polymer

003	Actuation type
H	Hand lever, top

004	Valve function
B43C	4/3-way valve, detenting, mid-position closed
B43E	4/3-way valve, detenting, mid-position exhausted
B43U	4/3-way valve, detenting, mid-position pressurised

005	Flow direction
	Standard

006	Connection direction
	On the side
B	Underneath

007	Pneumatic connection
G18	G1/8
G14	G1/4
G12	G1/2
M5	M5

## Datasheet

**General technical data Metal lever G1/2**

Standard nominal flow rate	3,200 l/min	3,800 l/min
Valve function	4/3-way, pressurised, 4/3 exhausted, 4/3 closed	
Design	Rotary gate valve	
Sealing principle	Hard	
Type of mounting	Either:, Front panel mounting, With through-hole	
Type of piloting	Direct	
Type of actuation	Manual	
Actuator lock	–	
Switching position indicator	With accessories	
Mounting position	–	
Flow direction	Non-reversible	
Freedom from overlap	yes	
Exhaust-air function	With flow control option	
Nominal size	12 mm	
Actuating torque	5 Nm	

**General technical data Metal lever G1/4**

Standard nominal flow rate	1,150 l/min	1,500 l/min
Valve function	4/3-way, pressurised, 4/3 exhausted, 4/3 closed	
Design	Rotary gate valve	
Sealing principle	Hard	
Type of mounting	Either:, Front panel mounting, With through-hole	
Type of piloting	Direct	
Type of actuation	Manual	
Actuator lock	–	
Switching position indicator	With accessories	
Mounting position	–	
Flow direction	Non-reversible	
Freedom from overlap	yes	
Exhaust-air function	With flow control option	
Nominal size	8 mm	
Actuating torque	2 Nm	

**General technical data Metal lever G1/8**

Standard nominal flow rate	600 l/min	800 l/min
Valve function	4/3-way, pressurised, 4/3 exhausted, 4/3 closed	
Design	Rotary gate valve	
Sealing principle	Hard	
Type of mounting	Either:, Front panel mounting, With through-hole	
Type of piloting	Direct	
Type of actuation	Manual	
Actuator lock	–	
Switching position indicator	With accessories	
Mounting position	–	
Flow direction	Non-reversible	
Freedom from overlap	yes	
Exhaust-air function	With flow control option	
Nominal size	6 mm	
Actuating torque	0.9 Nm	

## Datasheet

**General technical data polymer lever M5**

Standard nominal flow rate	170 l/min	260 l/min
Valve function	4/3-way, pressurised, 4/3 exhausted, 4/3 closed	
Design	Rotary gate valve	
Sealing principle	Hard	
Type of mounting	Either., Front panel mounting, With through-hole	
Type of piloting	Direct	
Type of actuation	Manual	
Actuator lock	can be closed with accessories	
Switching position indicator	With accessories	
Mounting position	–	
Flow direction	Non-reversible	
Freedom from overlap	yes	
Exhaust-air function	With flow control option	
Nominal size	4 mm	
Actuating torque	0.5 Nm	

**General technical data Polymer lever G1/2**

Standard nominal flow rate	3,200 l/min	3,800 l/min
Valve function	4/3-way, pressurised, 4/3 exhausted, 4/3 closed	
Design	Rotary gate valve	
Sealing principle	Hard	
Type of mounting	Either., Front panel mounting, With through-hole	
Type of piloting	Direct	
Type of actuation	Manual	
Actuator lock	can be closed with accessories	
Switching position indicator	With accessories	
Mounting position	–	
Flow direction	Non-reversible	
Freedom from overlap	yes	
Exhaust-air function	With flow control option	
Nominal size	12 mm	
Actuating torque	5 Nm	

**General technical data Polymer lever G1/4**

Standard nominal flow rate	1,150 l/min	1,500 l/min
Valve function	4/3-way, pressurised, 4/3 exhausted, 4/3 closed	
Design	Rotary gate valve	
Sealing principle	Hard	
Type of mounting	Either., Front panel mounting, With through-hole	
Type of piloting	Direct	
Type of actuation	Manual	
Actuator lock	can be closed with accessories	
Switching position indicator	With accessories	
Mounting position	–	
Flow direction	Non-reversible	
Freedom from overlap	yes	
Exhaust-air function	With flow control option	
Nominal size	8 mm	
Actuating torque	2 Nm	

## Datasheet

**General technical data Polymer lever G1/8**

Standard nominal flow rate	600 l/min	800 l/min
Valve function	4/3-way, pressurised, 4/3 exhausted, 4/3 closed	
Design	Rotary gate valve	
Sealing principle	Hard	
Type of mounting	Either:, Front panel mounting, With through-hole	
Type of piloting	Direct	
Type of actuation	Manual	
Actuator lock	can be closed with accessories	
Switching position indicator	With accessories	
Mounting position	–	
Flow direction	Non-reversible	
Freedom from overlap	yes	
Exhaust-air function	With flow control option	
Nominal size	6 mm	
Actuating torque	0.9 Nm	

**Operating and ambient conditions Metal lever**

Operating medium	Compressed air to ISO 8573-1:2010 [7:4:4]	
Note on operating and pilot medium	Lubricated operation possible (in which case lubricated operation will always be required)	
Operating pressure	0 ... 10 bar	
Ambient temperature	-20 ... 80°C	
Media temperature	-20 ... 80°C	
Corrosion resistance class CRC <sup>1)</sup>	2 - Moderate corrosion stress	

<sup>1)</sup> Corrosion resistance class 2 according to Festo standard 940 070. Components with moderate corrosion stress. External visible parts with primarily decorative surface requirements that are in direct contact with the surrounding industrial atmosphere or media such as coolants and lubricants.

**Operating and ambient conditions polymer lever**

Operating medium	Compressed air to ISO 8573-1:2010 [7:4:4]	
Note on operating and pilot medium	Lubricated operation possible (in which case lubricated operation will always be required)	
Operating pressure	0 ... 10 bar	
Ambient temperature	-20 ... 80°C	
Media temperature	-20 ... 80°C	
Corrosion resistance class CRC <sup>1)</sup>	2 - Moderate corrosion stress	

<sup>1)</sup> Corrosion resistance class 2 according to Festo standard 940 070. Components with moderate corrosion stress. External visible parts with primarily decorative surface requirements that are in direct contact with the surrounding industrial atmosphere or media such as coolants and lubricants.

**Materials metal lever**

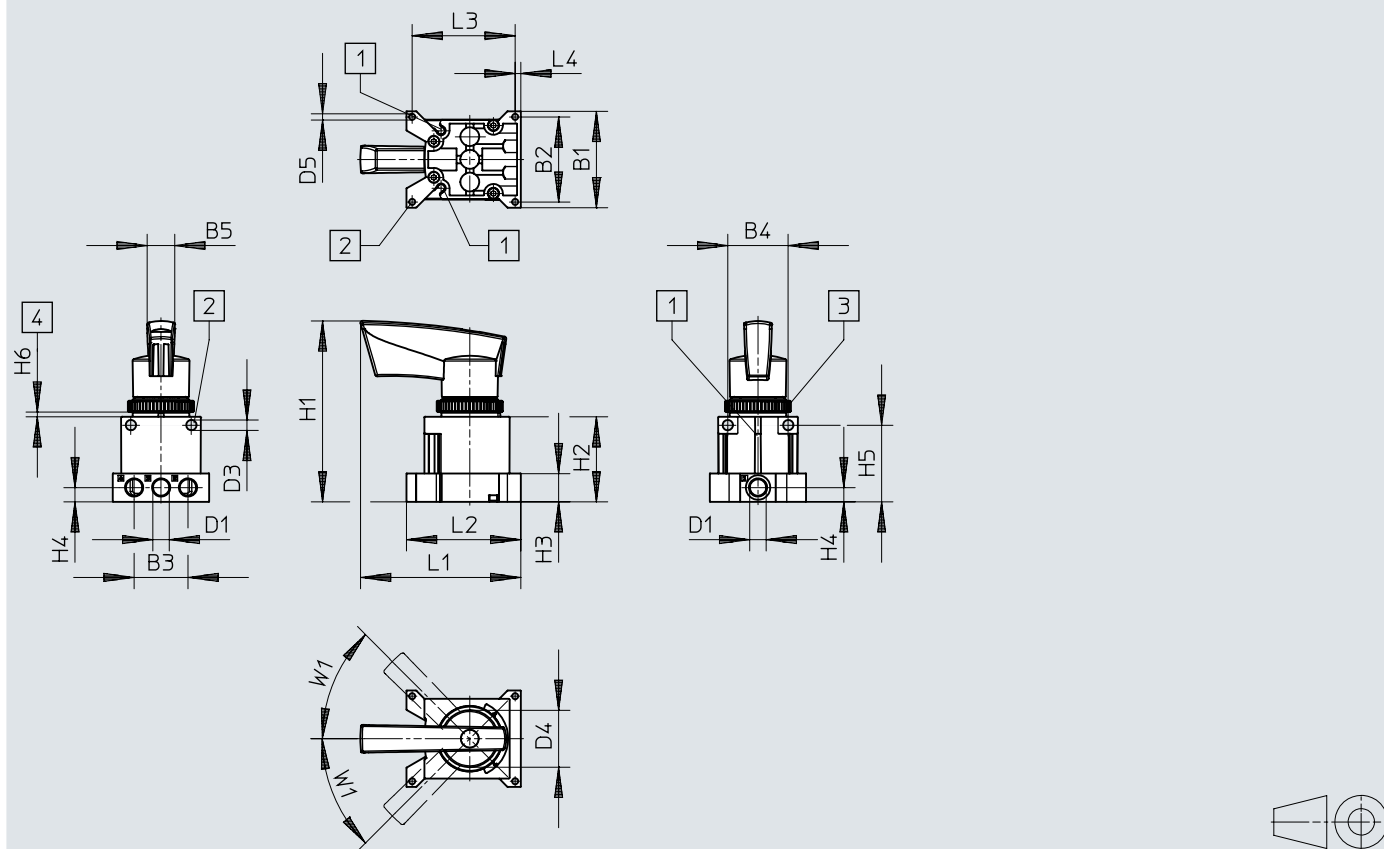
Material housing	Die-cast aluminium
Material lever	Die-cast aluminium
Material seals	NBR
Note on materials	RoHS-compliant

**Materials polymer lever**

Material housing	Die-cast aluminium, PA
Material lever	PA
Material seals	NBR
Note on materials	RoHS-compliant

## Dimensions

Dimensions – Metal lever version, pneumatic connection G1/8, lateral

Download CAD data → [www.festo.com](http://www.festo.com)

- [1] Slot for proximity switch SM...-10...  
 [2] Mounting hole  
 [3] Knurled nut M30  
 [4] Control panel/panel

	B1	B2	B3	B4	B5	D1	D3 ∅	D4 ∅	D5 ∅
VHER-H-B43...-G18	51	45	28,5	32	14,6	G1/8	5,5	30,2	3,3

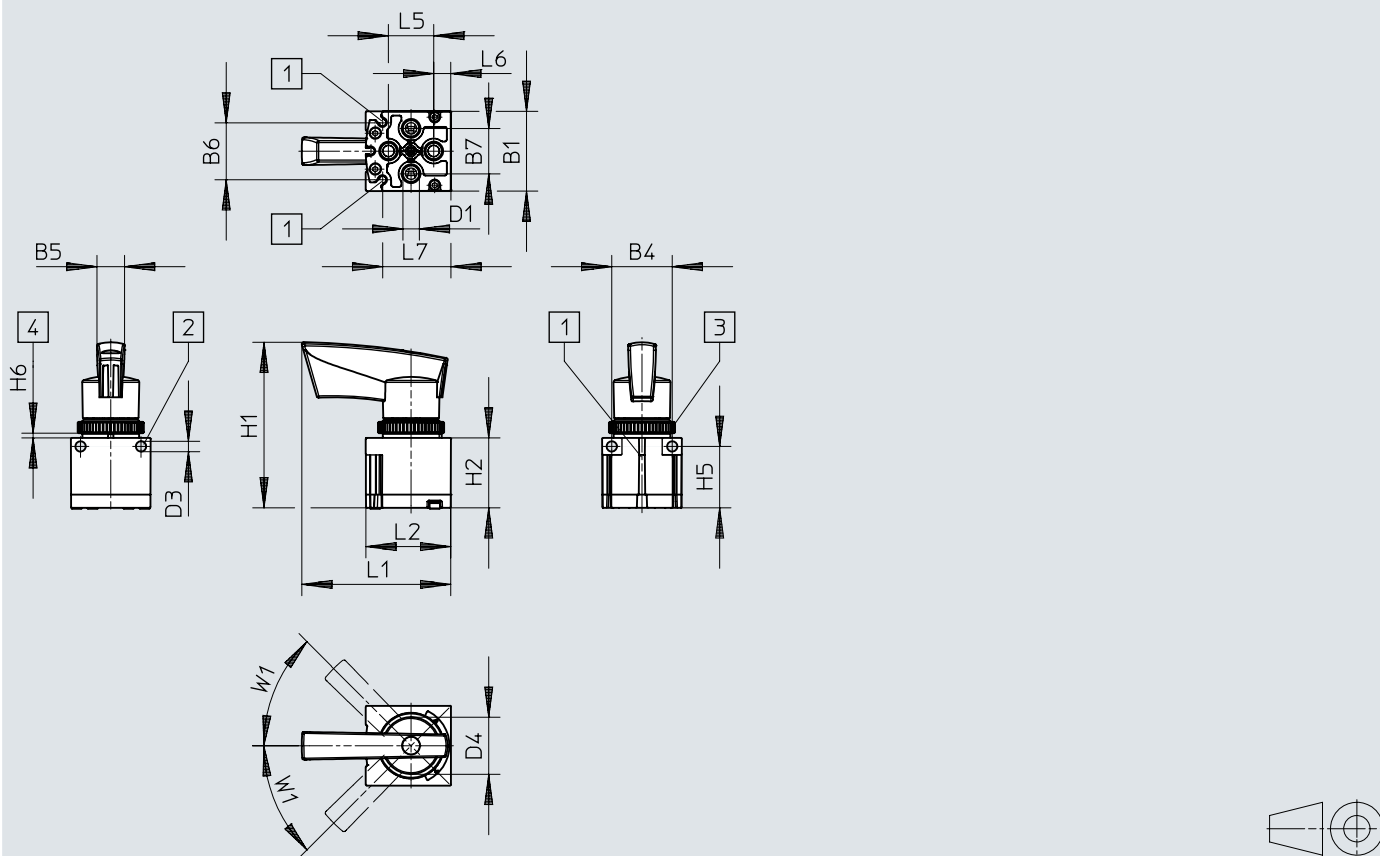
  

	H1	H2	H3	H4	H5	H6		L1	L2	L3	L4	W1
						min.	max.					
VHER-H-B43...-G18	95,6	45	15	7,5	40,5	2	4	84,9	60,5	54,5	3	45°

## Dimensions

Dimensions – Metal lever version, pneumatic connection G1/8, underneath

Download CAD data → [www.festo.com](http://www.festo.com)



- [1] Slot for proximity switch SM...-10...
- [2] Mounting hole
- [3] Knurled nut M30
- [4] Control panel/panel

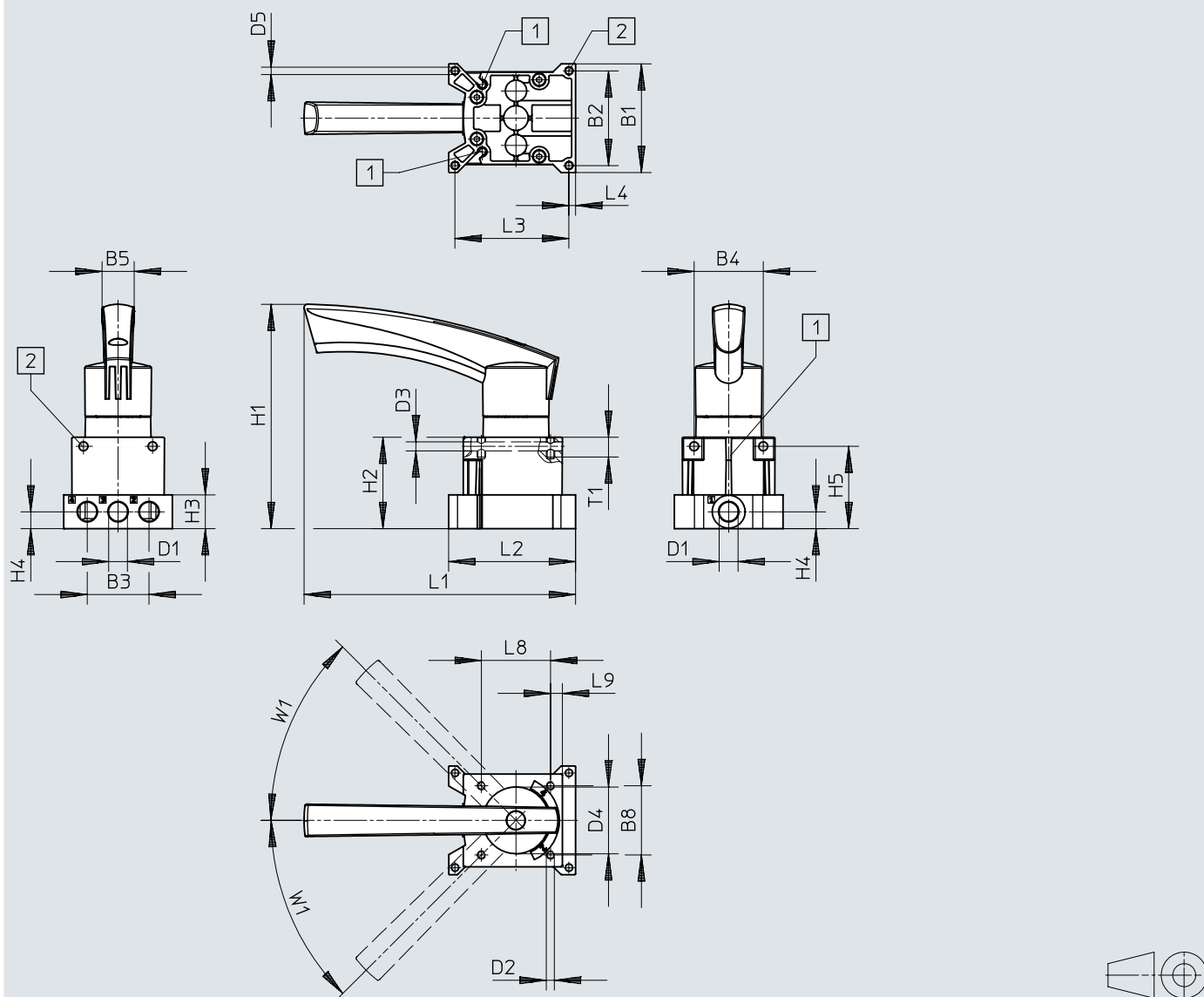
	B1	B4	B5	B6	B7	D1	D3 ∅	D4 ∅
VHER-H-B43...-B-G18	42,2	32	14,6	30,4	24	G1/8	5,5	30,2

	H1	H2	H5	H6		L1	L2	L5	L6	L7	W1
				min.	max.						
VHER-H-B43...-B-G18	87,6	37	32,5	2	4	78,6	44,9	24	9	36,2	45°



## Dimensions

Dimensions – Metal lever version, pneumatic connection G1/4, lateral

Download CAD data → [www.festo.com](http://www.festo.com)

- [1] Slot for proximity switch SM...-10...  
 [2] Mounting hole

	B1	B2	B3	B4	B5	B8	D1	D2	D3 ∅	D4 ∅	D5 ∅
VHER-H-B43...-G14	66	57,5	37,5	42	19,5	42	G1/4	M5	5,5	40,5	4,5

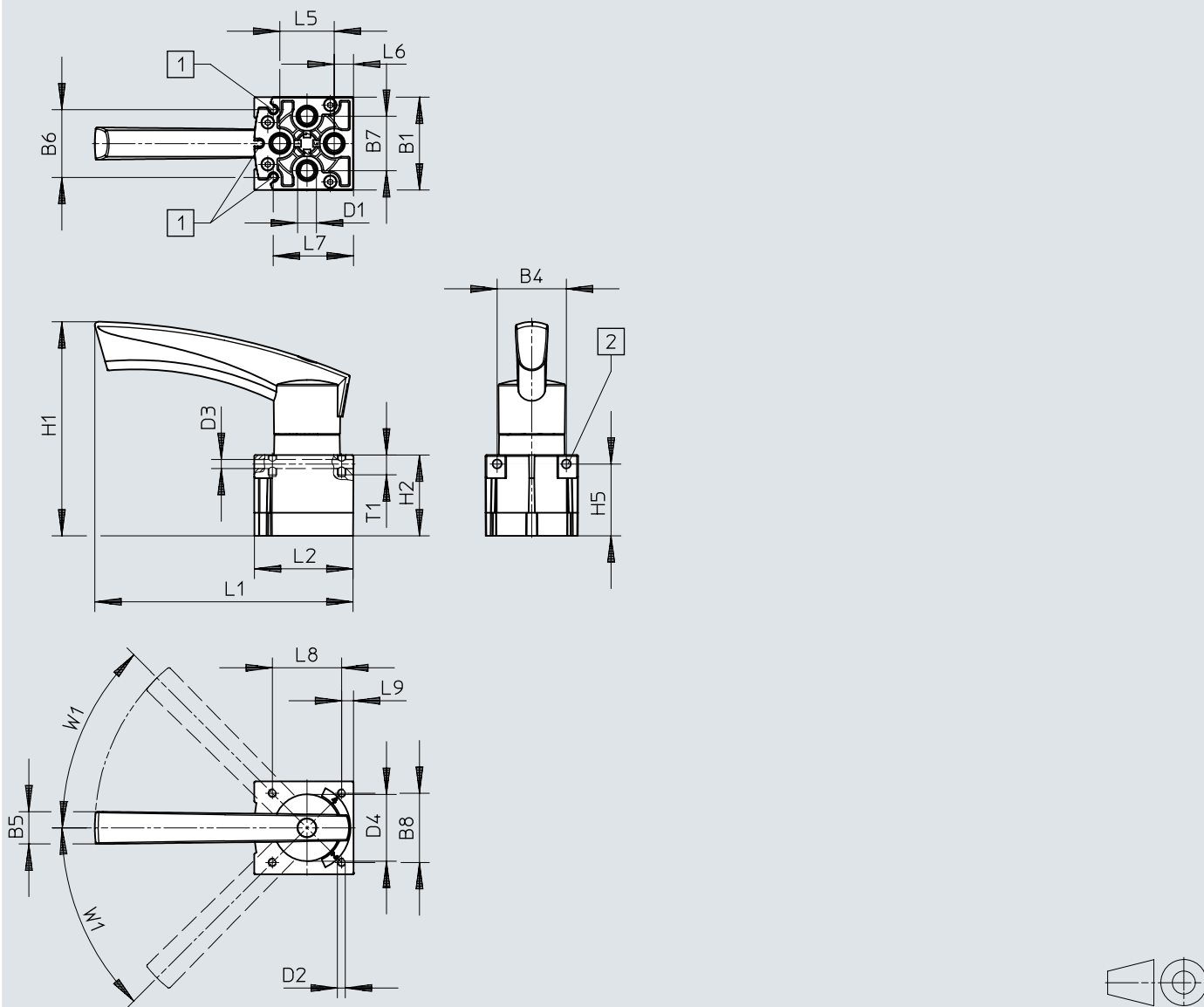
  

	H1	H2	H3	H4	H5	L1	L2	L3	L4	L8	L9	T1	W1
VHER-H-B43...-G14	136,3	55,5	20,5	10,3	50	164,8	77	69,2	4	42	7,2	12	45°

## Dimensions

Dimensions – Metal lever version, pneumatic connection G1/4, underneath

Download CAD data → [www.festo.com](http://www.festo.com)



[1] Slot for proximity switch SM...-10...

[2] Mounting hole

	B1	B4	B5	B6	B7	B8	D1	D2	D3 ∅	D4 ∅
VHER-H-B43...-B-G14	56,3	42	19,5	40,4	33	42	G1/4	M5	5,5	40,5

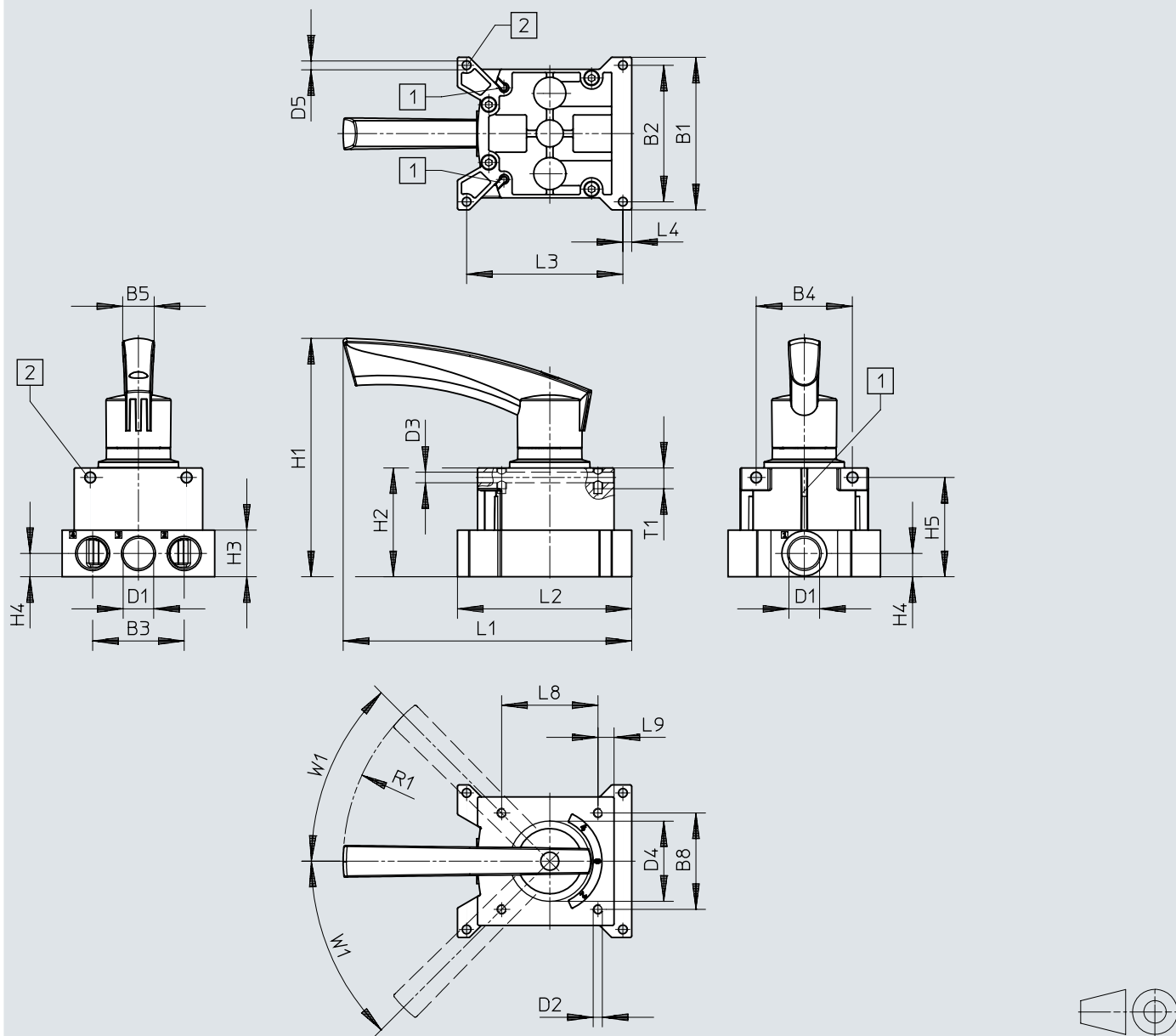
  

	H1	H2	H5	L1	L2	L5	L6	L7	L8	T1	W1
VHER-H-B43...-B-G14	129,8	49	43,5	156,6	59,8	33	11	48,2	42	12	45°

## Dimensions

Dimensions – Metal lever version, pneumatic connection G1/2, lateral

Download CAD data → [www.festo.com](http://www.festo.com)



[1] Slot for proximity switch SM...-10...

[2] Mounting hole

	B1	B2	B3	B4	B5	B8	D1	D2	D3	D4	D5
VHER-H-B43-...-G12	95	85	57	60	19,5	60	G1/2	M5	6,6	51	5,5

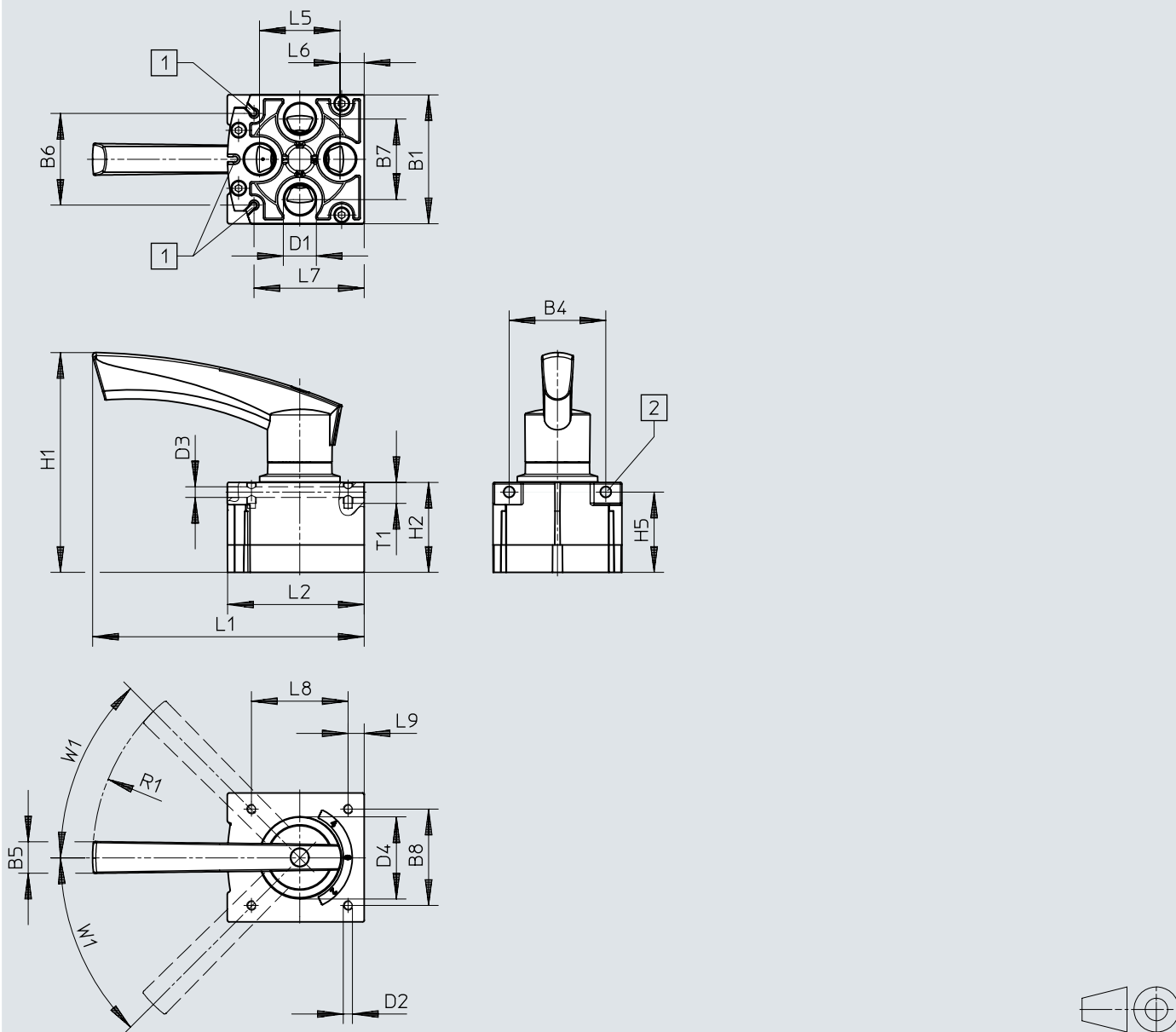
  

	H1	H2	H3	H4	H5	L1	L2	L3	L4	L8	L9	R1	T1	W1
VHER-H-B43-...-G12	149	68	29	14,5	61,8	180	108,8	97,3	5,5	60	10	128	13	45°

## Dimensions

Dimensions – Metal lever version, pneumatic connection G1/2, underneath

Download CAD data → [www.festo.com](http://www.festo.com)



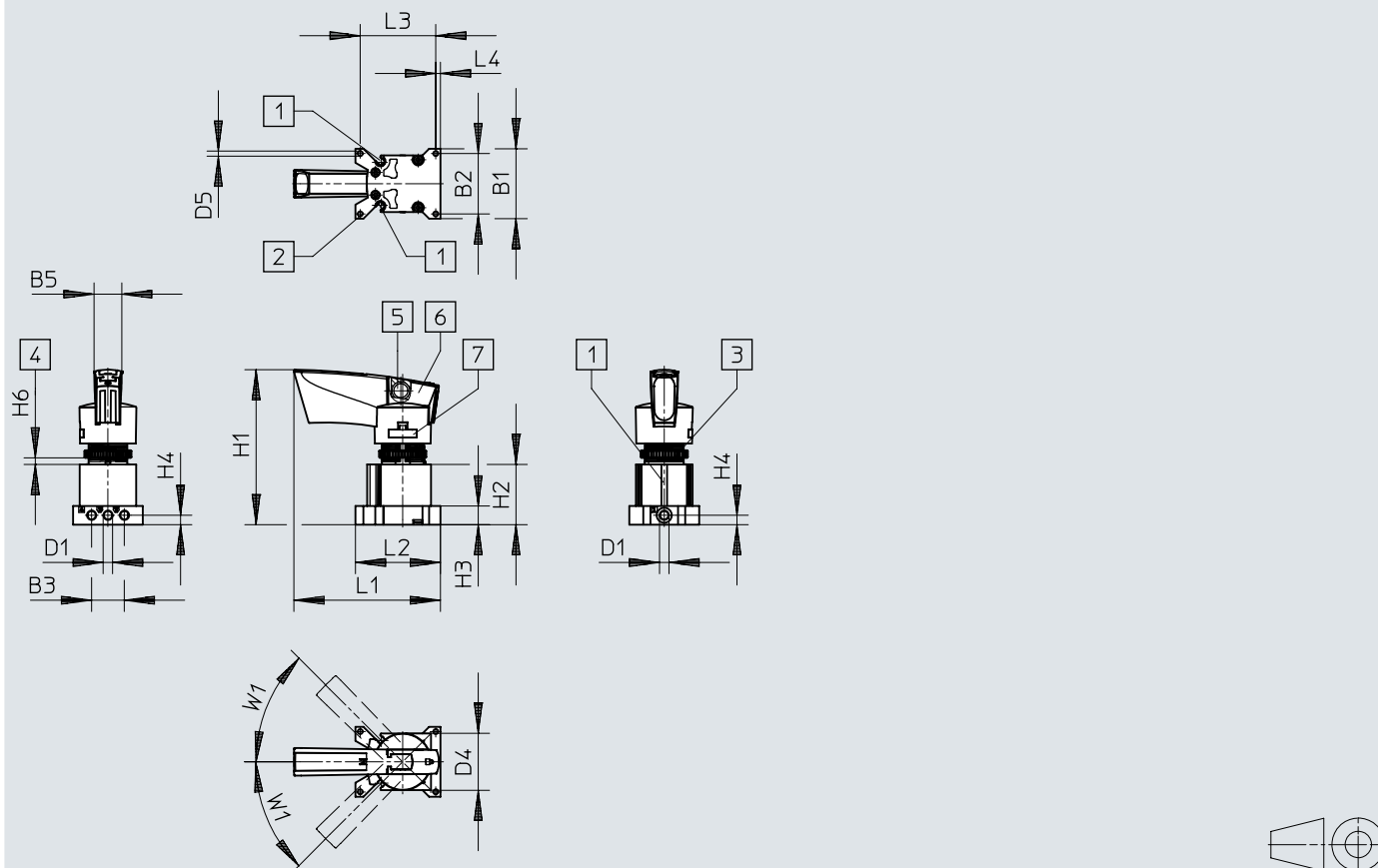
- [1] Slot for proximity switch SM...-10...
- [2] Mounting hole

	B1	B4	B5	B6	B7	B8	D1	D2	D3 ∅	D4 ∅
VHER-H-B43-...-B-G12	80	60	19,5	56,9	50	60	G1/2	M5	6,6	51

	H1	H2	H5	L1	L2	L5	L6	L7	L8	L9	R1	T1	W1
VHER-H-B43-...-B-G12	136,5	55,8	49,8	168,8	84,8	50	15	68,5	60	10	128	13	45°

## Dimensions

Dimensions – Polymer lever version, pneumatic connection M5, lateral

Download CAD data → [www.festo.com](http://www.festo.com)

- [1] Slot for proximity switch SM...-10...
- [2] Mounting hole
- [3] Knurled nut M22
- [4] Control panel/panel
- [5] Hole for locking  $\varnothing 7.5$  mm
- [6] Latching button with lock
- [7] Detachable lever attachment

	B1	B2	B3	B5	D1	D4 $\varnothing$	D5 $\varnothing$
VHER-P-H-B43...-M5	37	32	17,4	14,6	M5	30,2	2,7

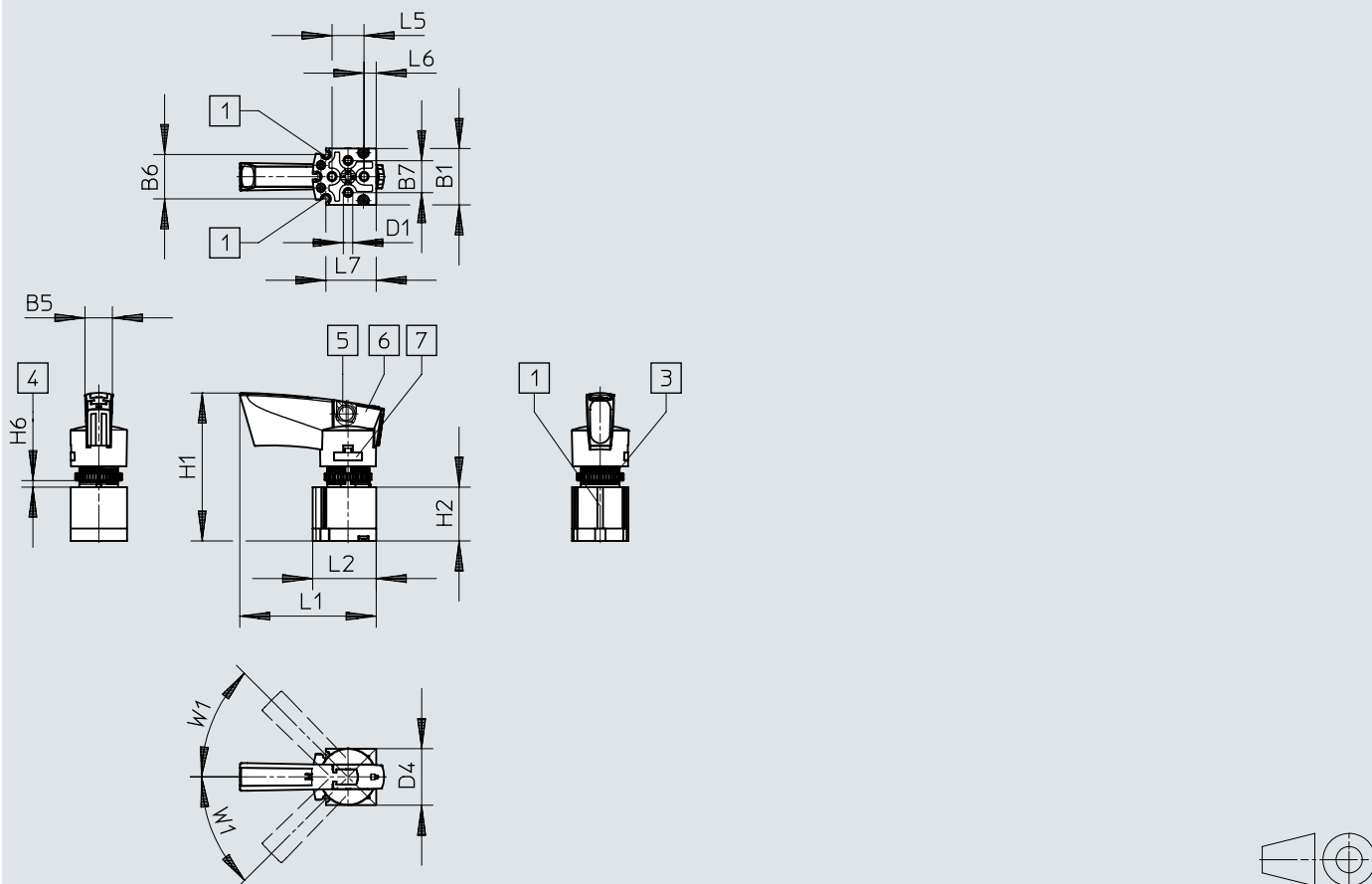
  

	H1	H2	H3	H4	H6		L1	L2	L3	L4	W1
					min.	max.					
VHER-P-H-B43...-M5	82,1	32	10	5	1,5	5,5	77,6	45	40	2,5	45°

## Dimensions

Dimensions – Polymer lever version, pneumatic connection M5, underneath

Download CAD data → [www.festo.com](http://www.festo.com)



- [1] Slot for proximity switch SM...-10...
- [3] Knurled nut M22
- [4] Control panel/panel
- [5] Hole for locking  $\varnothing 7.5$  mm
- [6] Latching button with lock
- [7] Detachable lever attachment

	B1	B5	B6	B7	D1	D4 $\varnothing$
VHER-P-H-B43...-M5	30	14,6	23,7	17	M5	30,2

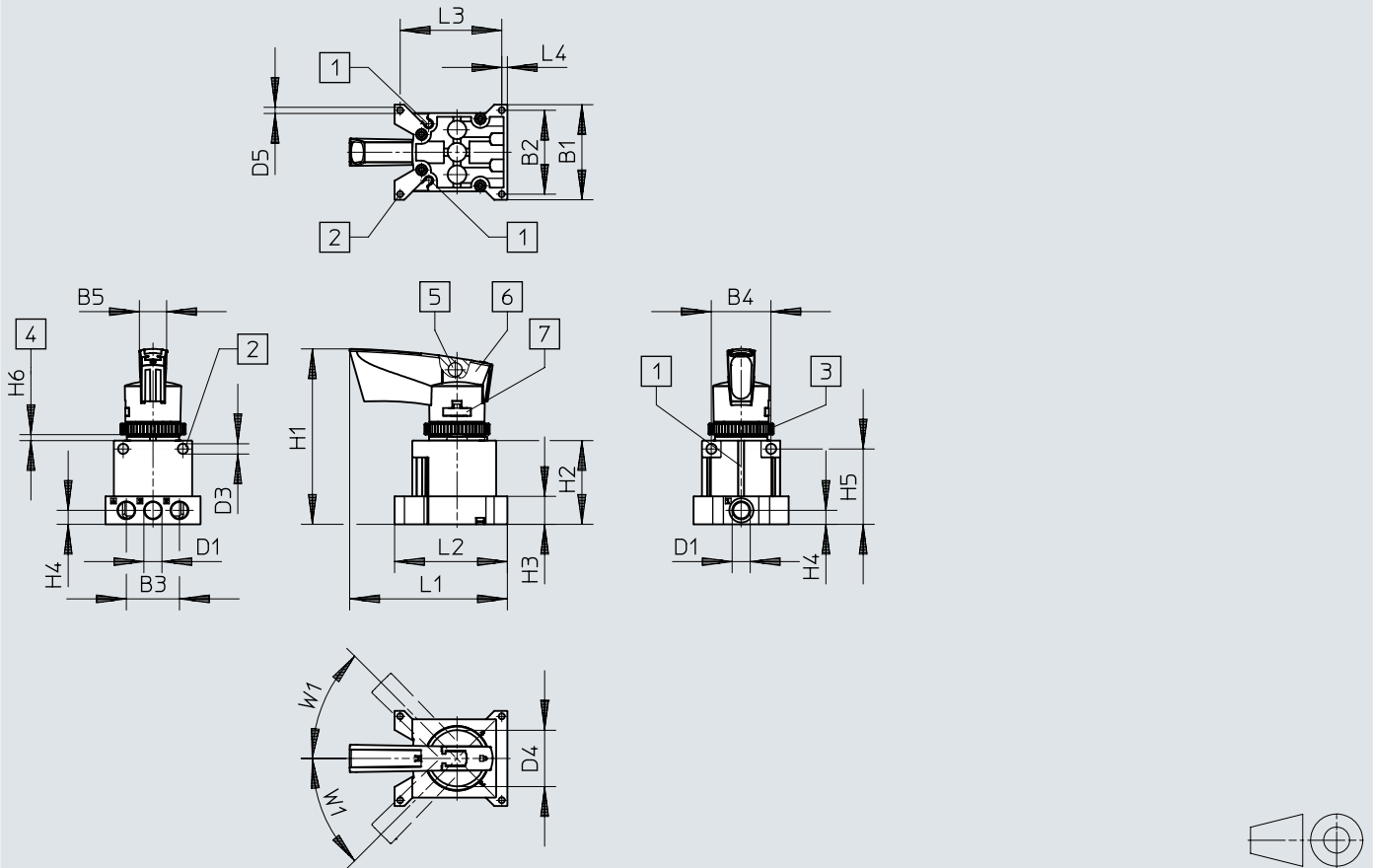
  

	H1	H2	H6		L1	L2	L5	L6	L7	W1
			min.	max.						
VHER-P-H-B43...-M5	78,7	28,6	1,5	5,5	72,6	33,8	17	6,5	26,8	45°

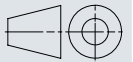
Dimensions

Dimensions – Polymer lever version, pneumatic connection G1/8, lateral

Download CAD data → [www.festo.com](http://www.festo.com)



- [1] Slot for proximity switch SM...-10...
- [2] Mounting hole
- [3] Knurled nut M30
- [4] Control panel/panel
- [5] Hole for locking  $\varnothing 7.5$  mm
- [6] Latching button with lock
- [7] Detachable lever attachment



	B1	B2	B3	B4	B5	D1	D3 ∅	D4 ∅	D5 ∅
VHER-P-H-B43...-G18	51	45	28,5	32	14,6	G1/8	5,5	30,2	3,3

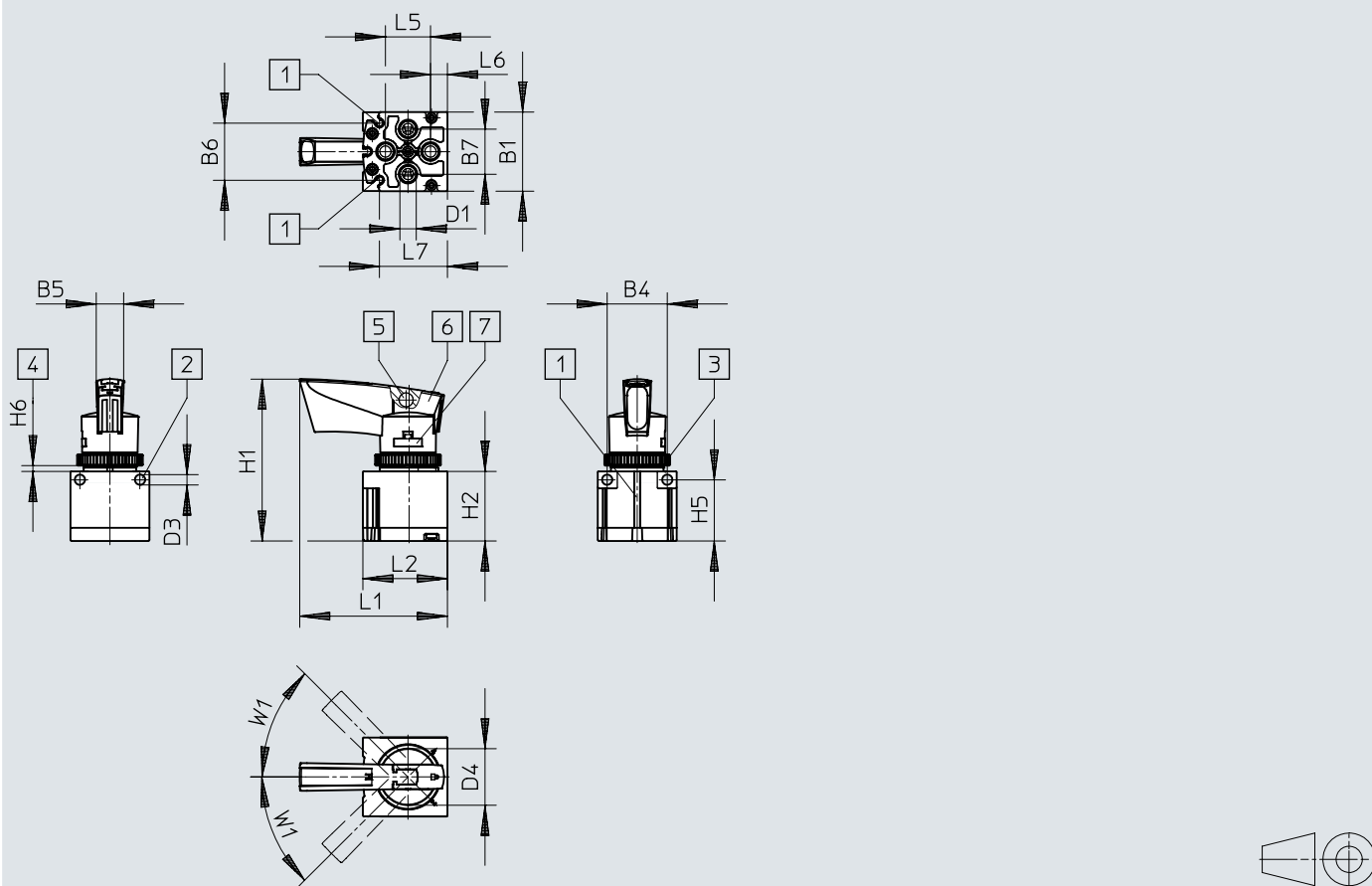
  

	H1	H2	H3	H4	H5	H6		L1	L2	L3	L4	W1
						min.	max.					
VHER-P-H-B43...-G18	94	45	15	7,5	40,5	2	4	84,6	60,5	54,5	3	45°

## Dimensions

Dimensions – Polymer lever version, pneumatic connection G1/8, underneath

Download CAD data → [www.festo.com](http://www.festo.com)



- [1] Slot for proximity switch SM...-10...
- [2] Mounting hole
- [3] Knurled nut M30
- [4] Control panel/panel
- [5] Hole for locking  $\varnothing 7.5$  mm
- [6] Latching button with lock
- [7] Detachable lever attachment

	B1	B4	B5	B6	B7	D1	D3 $\varnothing$	D4 $\varnothing$
VHER-P-H-B43...-B-G18	42	32	14,6	30,4	24	G1/8	5,5	30,2

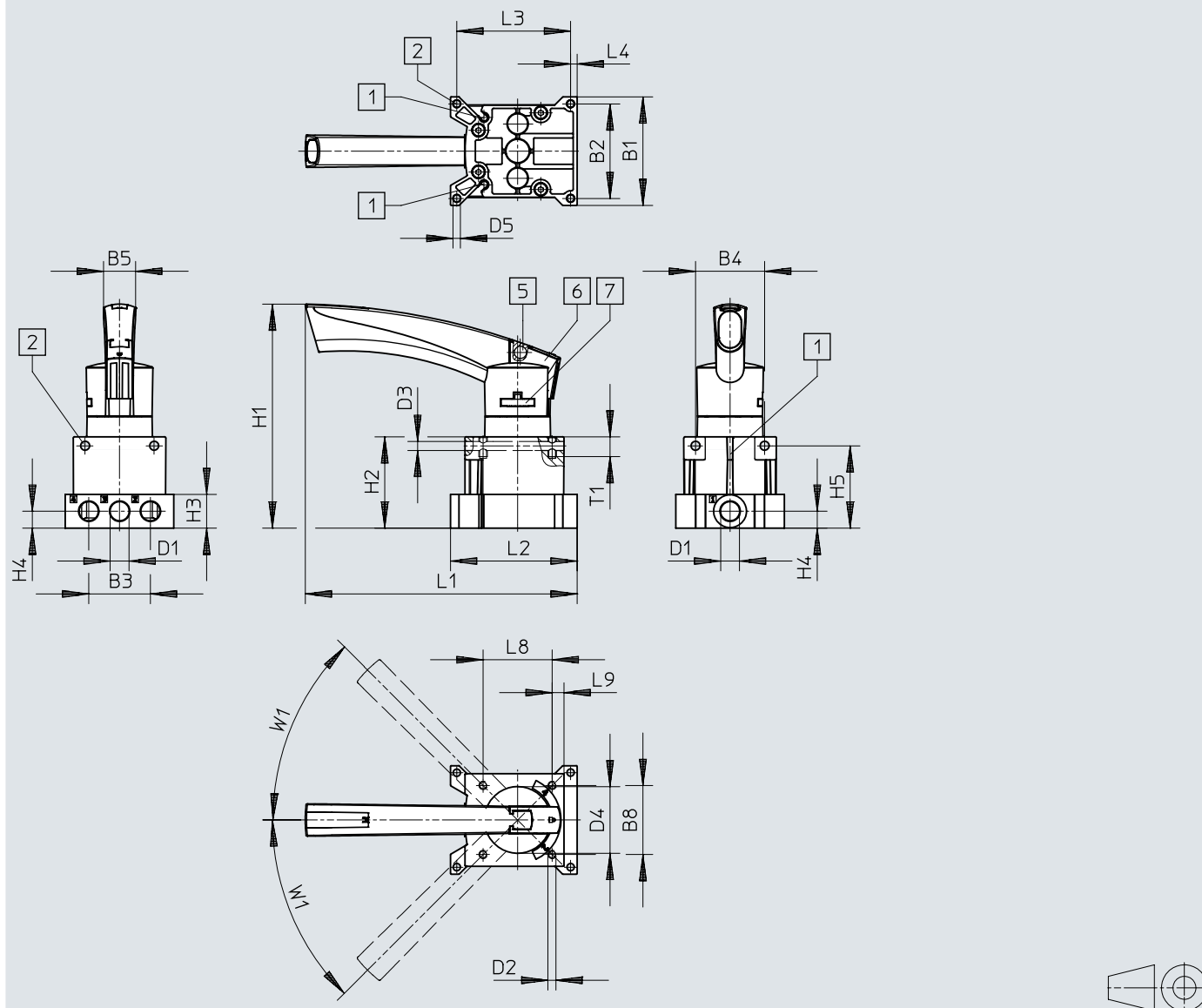
  

	H1	H2	H5	H6		L1	L2	L5	L6	L7	W1
				min.	max.						
VHER-P-H-B43...-B-G18	86	37	32,5	2	4	78,6	45	24	9	36,2	45°



## Dimensions

Dimensions – Polymer lever version, pneumatic connection G1/4, lateral

Download CAD data → [www.festo.com](http://www.festo.com)

- [1] Slot for proximity switch SM...-10...
- [2] Mounting hole
- [5] Hole for locking  $\varnothing 7.5$  mm
- [6] Latching button with lock
- [7] Detachable lever attachment

	B1	B2	B3	B4	B5	B8	D1	D2	D3 $\varnothing$	D4 $\varnothing$	D5 $\varnothing$
VHER-P-H-B43...-G14	66	57,5	37,5	42	19,5	42	G1/4	M5	5,5	40,5	4,5

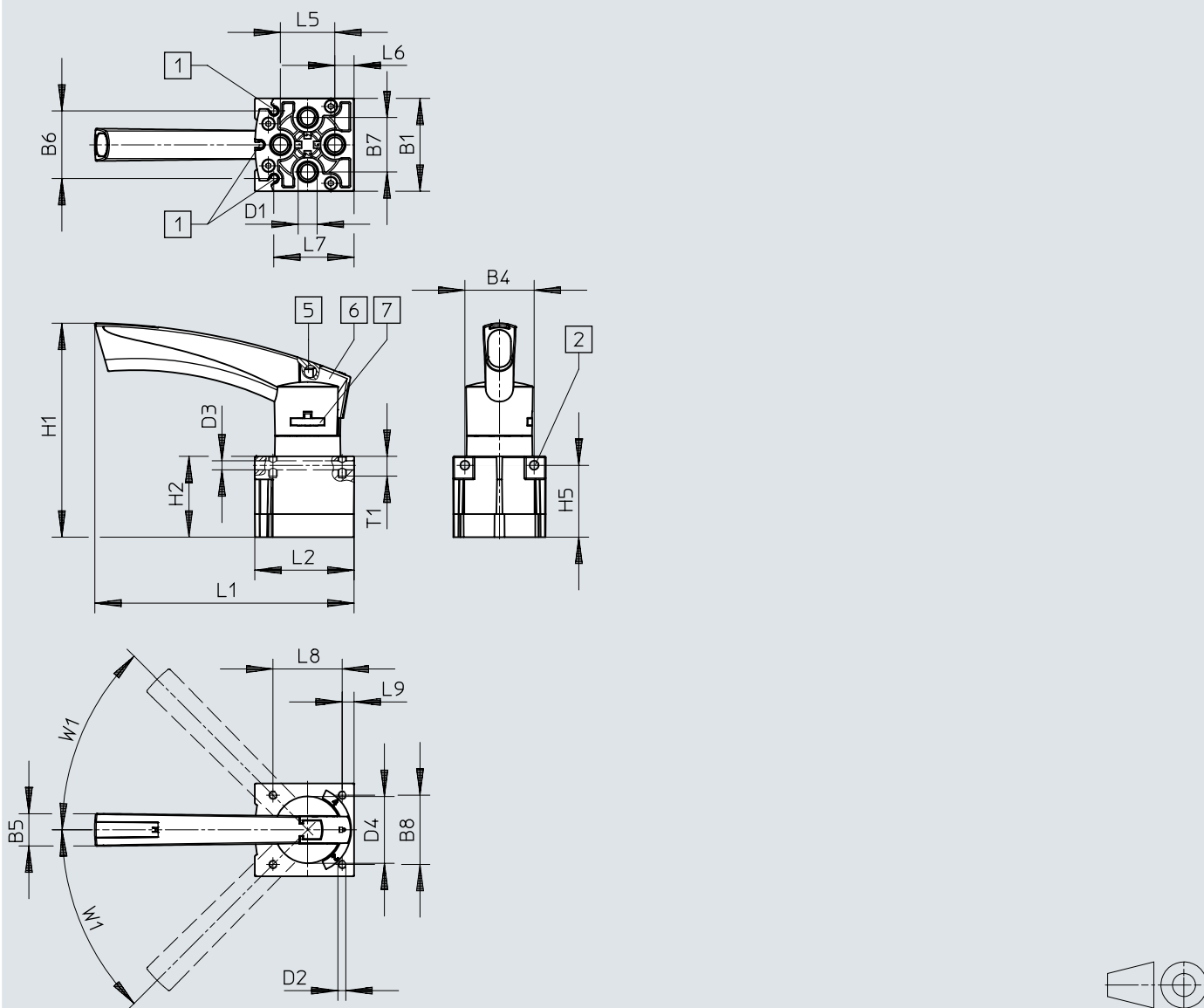
  

	H1	H2	H3	H4	H5	L1	L2	L3	L4	L8	L9	T1	W1
VHER-P-H-B43...-G14	135,7	55,5	20,5	10,3	50	165,3	77	69,2	4	42	7,2	12	45°

## Dimensions

Dimensions – Polymer lever version, pneumatic connection G1/4, underneath

Download CAD data → [www.festo.com](http://www.festo.com)



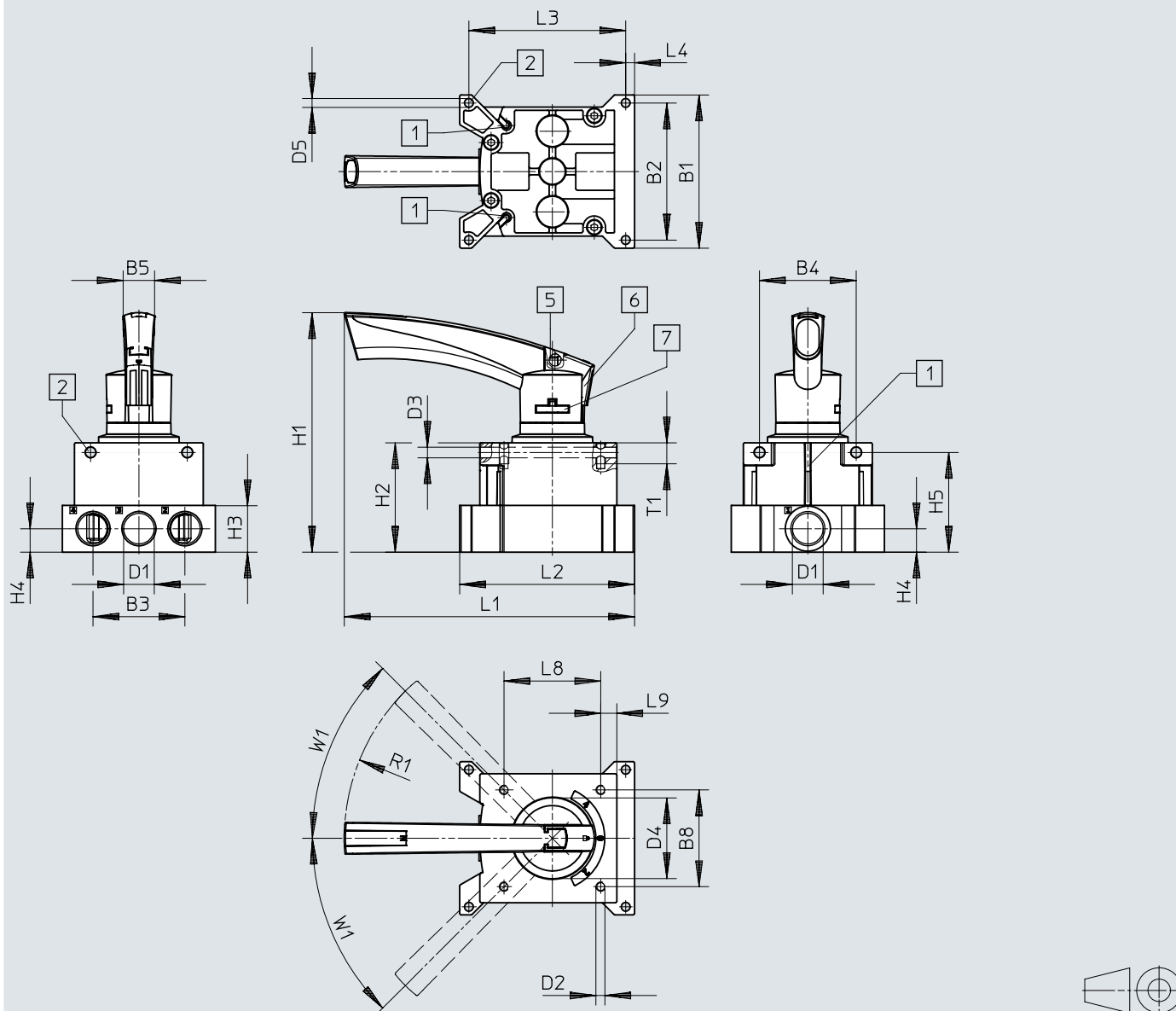
- [1] Slot for proximity switch SM...-10...
- [2] Mounting hole
- [5] Hole for locking  $\varnothing 7.5$  mm
- [6] Latching button with lock
- [7] Detachable lever attachment

	B1	B4	B5	B6	B7	B8	D1	D2	D3 $\varnothing$	D4 $\varnothing$
VHER-P-H-B43...-B-G14	56,3	42	19,5	41	33	42	G1/4	M5	5,5	40,5

	H1	H2	H5	L1	L2	L5	L6	L7	L8	L9	T1	W1
VHER-P-H-B43...-B-G14	129,2	49	43,5	157	60,2	33	11,5	48,7	42	7,2	12	45°

## Dimensions

Dimensions – Polymer lever version, pneumatic connection G1/2, lateral

Download CAD data → [www.festo.com](http://www.festo.com)

- [1] Slot for proximity switch SM...-10...  
 [2] Mounting hole  
 [5] Hole for locking  $\varnothing 7.5$  mm  
 [6] Latching button with lock  
 [7] Detachable lever attachment

	B1	B2	B3	B4	B5	B8	D1	D2	D3	D4	D5
VHER-P-H-B43-...-G12	95	85	57	60	19,5	60	G1/2	M5	$\varnothing 6,6$	$\varnothing 51$	$\varnothing 5,5$

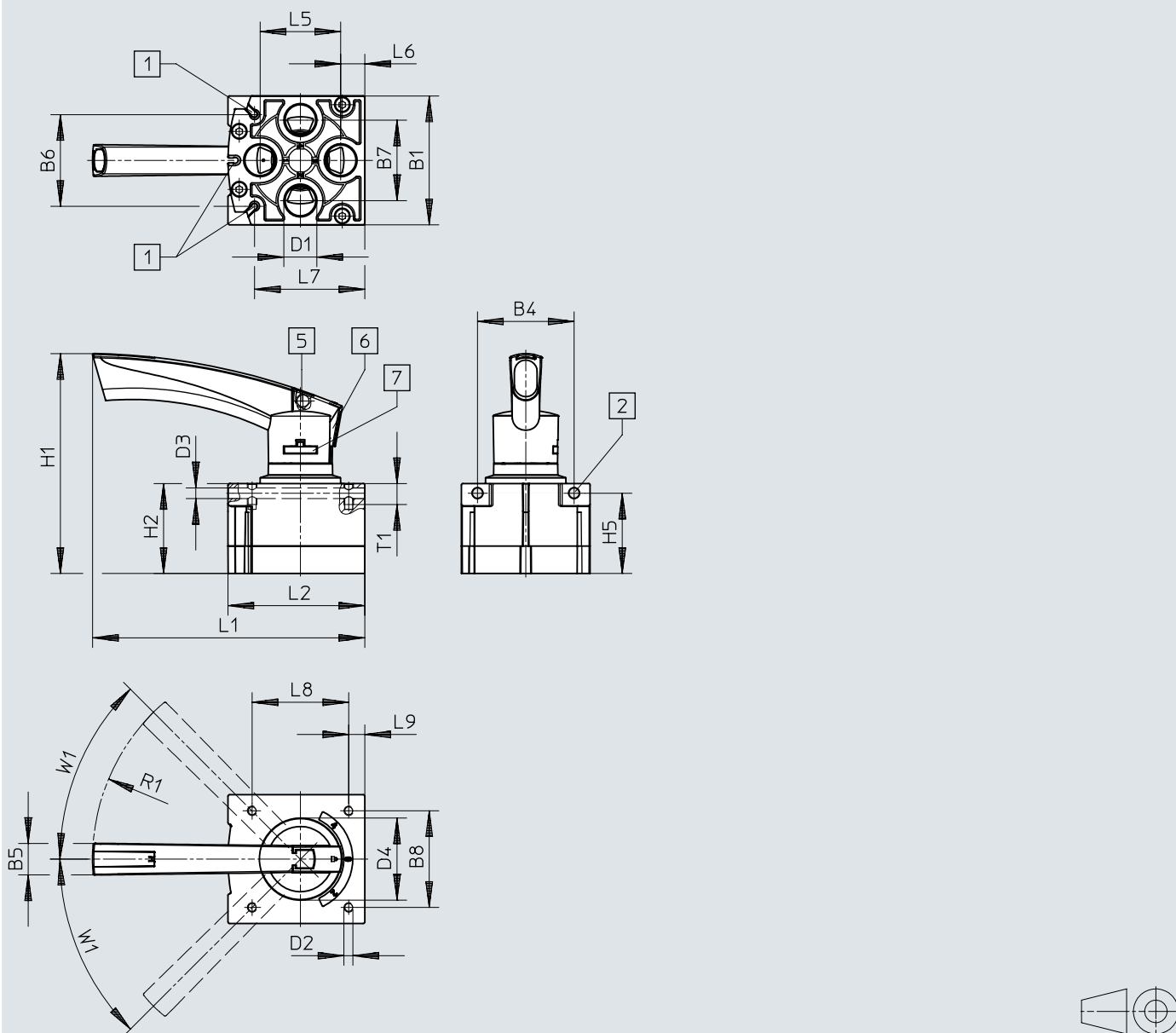
  

	H1	H2	H3	H4	H5	L1	L2	L3	L4	L8	L9	R1	T1	W1
VHER-P-H-B43-...-G12	148	67,8	29	14,5	61,8	180,1	108,5	97,3	5,5	60	10	128	13	45°

## Dimensions

Dimensions – Polymer lever version, pneumatic connection G1/2, underneath

Download CAD data → [www.festo.com](http://www.festo.com)



[1] Slot for proximity switch SM...-10...

[2] Mounting hole

[5] Hole for locking  $\varnothing 7.5$  mm


[6] Latching button with lock


[7] Detachable lever attachment

	B1	B4	B5	B6	B7	B8	D1	D2	D3 $\varnothing$	D4 $\varnothing$
VHER-P-H-B43-...-B-G12	80	60	19,5	56,9	50	60	G1/2	M5	6,6	51

	H1	H2	H5	L1	L2	L5	L6	L7	L8	L9	R1	T1	W1
VHER-P-H-B43-...-B-G12	137	55,8	49,8	169	84,8	50	15	68,5	60	10	128	13	45°

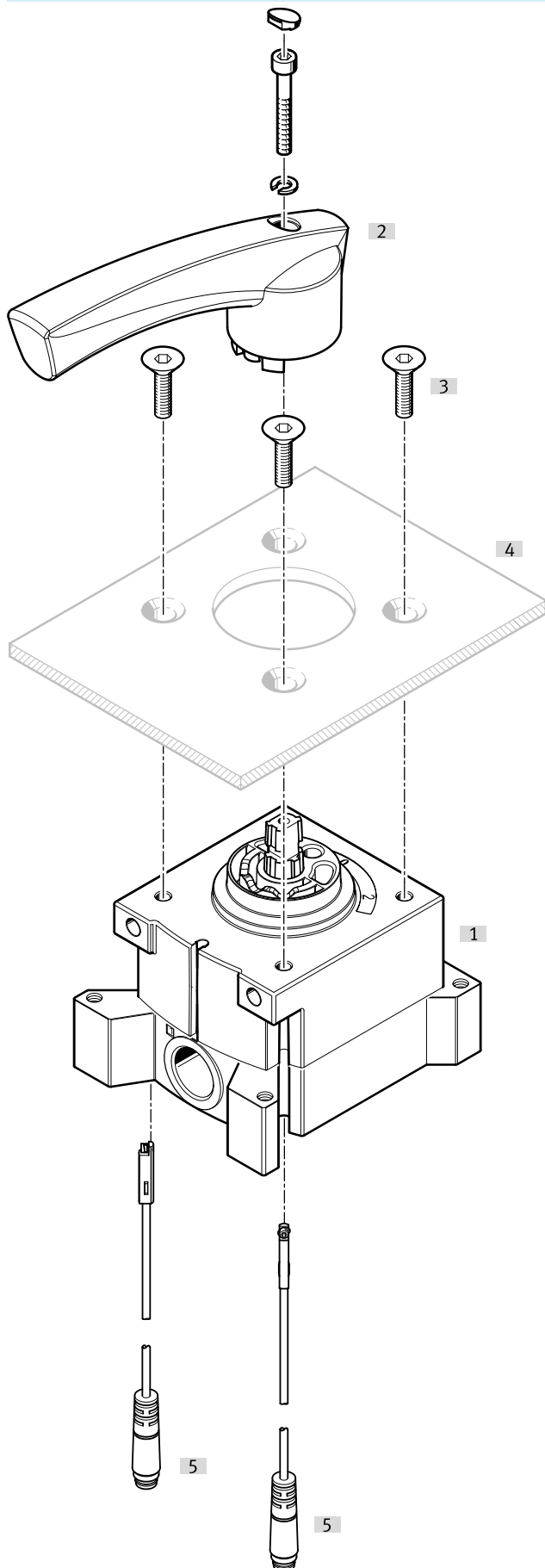
## Ordering data

Metal lever					
	Construction width	Product weight	Pneumatic connection, port 1	Part no.	Type
	42 mm	220 g	G1/8	3488207	VHER-H-B43E-B-G18
				3488205	VHER-H-B43C-B-G18
				3488215	VHER-H-B43U-B-G18
				3488214	VHER-H-B43U-G18
				3488204	VHER-H-B43C-G18
				3488206	VHER-H-B43E-G18
	51 mm	260 g	G1/4	3515202	VHER-H-B43C-B-G14
				3515286	VHER-H-B43U-B-G14
				3515258	VHER-H-B43E-B-G14
				3514710	VHER-H-B43C-G14
				3515108	VHER-H-B43U-G14
				3515082	VHER-H-B43E-G14
	56 mm	510 g	G1/2	3192066	VHER-H-B43C-B-G12
				3192072	VHER-H-B43U-B-G12
				3192068	VHER-H-B43E-B-G12
				3192071	VHER-H-B43U-G12
66 mm	560 g	G1/2	3192067	VHER-H-B43E-G12	
			3192065	VHER-H-B43C-G12	
80 mm	860 g				
95 mm	1,010 g				

Polymer lever					
	Construction width	Product weight	Pneumatic connection, port 1	Part no.	Type
	30 mm	80 g	M5	3410680	VHER-P-H-B43C-B-M5
				3410682	VHER-P-H-B43E-B-M5
				3410684	VHER-P-H-B43U-B-M5
				3410679	VHER-P-H-B43C-M5
				3410681	VHER-P-H-B43E-M5
				3410683	VHER-P-H-B43U-M5
	37 mm	95 g	G1/8	3488217	VHER-P-H-B43U-B-G18
				★ 3488211	VHER-P-H-B43E-B-G18
				★ 3488209	VHER-P-H-B43C-B-G18
				3488216	VHER-P-H-B43U-G18
				★ 3488210	VHER-P-H-B43E-G18
				★ 3488208	VHER-P-H-B43C-G18
	42 mm	125 g	G1/4	3515683	VHER-P-H-B43U-B-G14
				★ 3515601	VHER-P-H-B43C-B-G14
				★ 3515640	VHER-P-H-B43E-B-G14
				★ 3515542	VHER-P-H-B43E-G14
				3515573	VHER-P-H-B43U-G14
				★ 3515361	VHER-P-H-B43C-G14
	51 mm	165 g	G1/2	3192084	VHER-P-H-B43U-B-G12
				3192077	VHER-P-H-B43E-B-G12
				3192075	VHER-P-H-B43C-B-G12
3192074				VHER-P-H-B43C-G12	
3192076				VHER-P-H-B43E-G12	
3192082				VHER-P-H-B43U-G12	
56 mm	375 g				
66 mm	435 g				
80 mm	740 g				
95 mm	900 g				

## Peripherals

### Peripherals overview Panel mounting, metal lever left

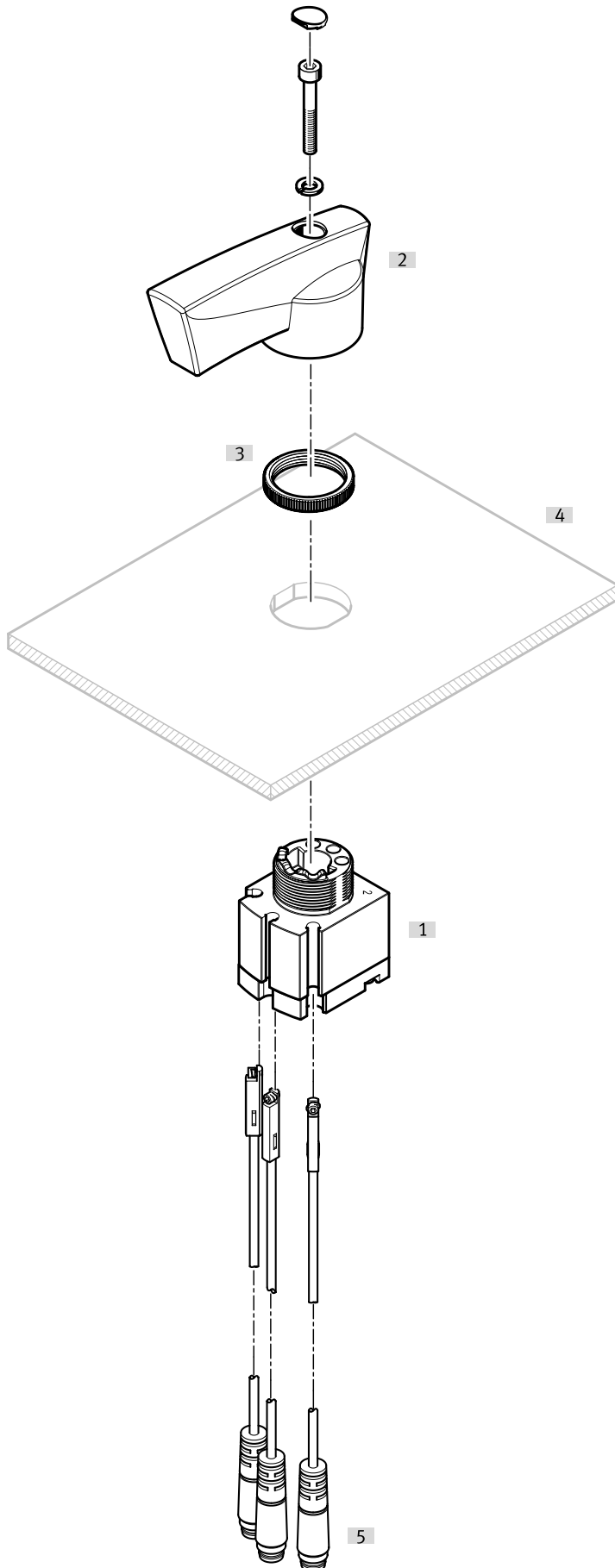


## Peripherals

Accessories		→ Page/Internet
Type/order code	Description	
[1] Hand lever valve VHER	Connection size M5, G1/8, G1/4, G1/2 (pneumatic connections on the side)	
[2] Operating lever	Large, metal	
[3] Retaining screws	- For design reasons, not every hand lever valve VHER can be screwed to a control panel on the lever side using retaining screws. - Not included in the scope of delivery	
[4] Control panel	Not included in the scope of delivery	
[5] Proximity switch SME-10-KL	Not included in the scope of delivery (electrical connection, outlet on long side)	36
[5] Proximity switch SME-10-SL	Not included in the scope of delivery (electrical connection, outlet on long side)	36

## Peripherals

### Peripherals overview Panel mounting, metal lever right



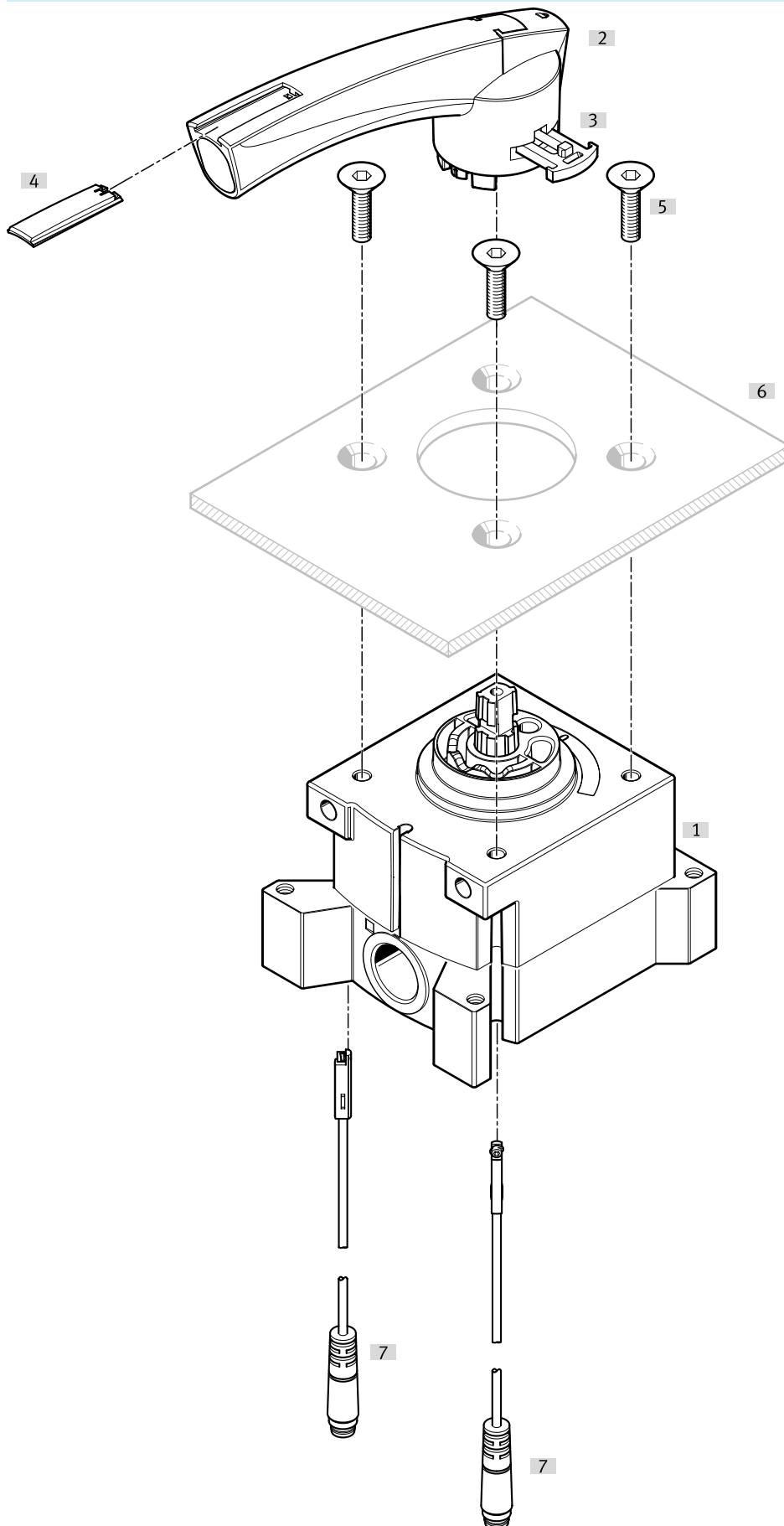


## Peripherals

Accessories		→ Page/Internet
Type/order code	Description	
[1] Hand lever valve VHER	Connection size M5, G1/8, G1/4, G1/2 (pneumatic connections below)	
[2] Operating lever	Large, metal	
[3] Knurled nut	Panel mounting	
[4] Control panel	Not included in the scope of delivery	
[5] Proximity switch SME-10-KL	Not included in the scope of delivery (electrical connection, outlet on long side)	36
[5] Proximity switch SME-10-SL	Not included in the scope of delivery (electrical connection, outlet on long side)	36

## Peripherals

### Peripherals overview Panel mounting, polymer lever left

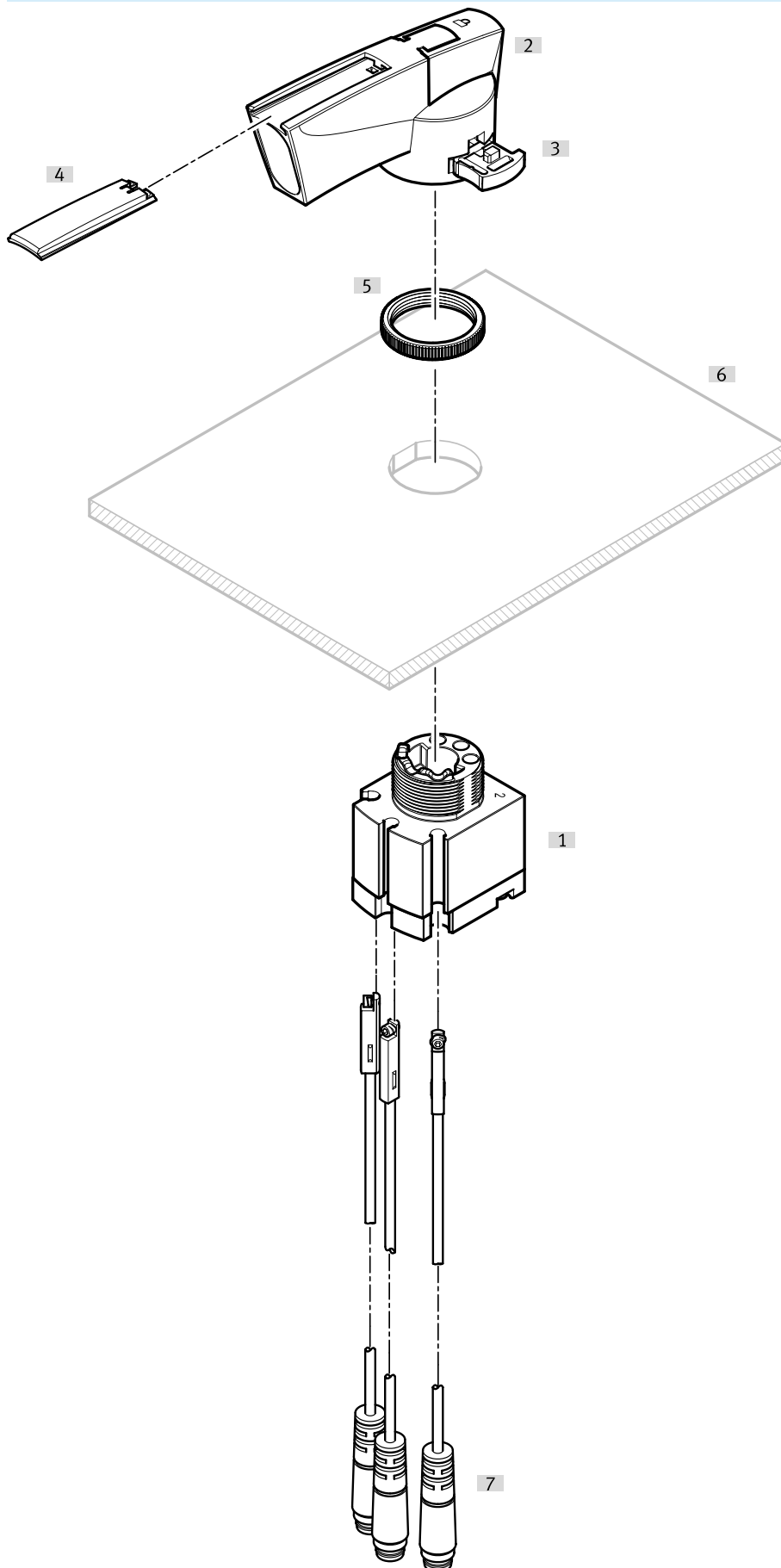


## Peripherals

Accessories		→ Page/Internet
Type/order code	Description	
[1] Hand lever valve VHER	Connection size M5, G1/8, G1/4, G1/2 (pneumatic connections on the side)	
[2] Operating lever	Large, polymer	
[3] Lever attachment	Large	
[4] Inscription label		
[5] Retaining screws	- For design reasons, not every hand lever valve VHER can be screwed to a control panel on the lever side using retaining screws. - Not included in the scope of delivery	
[6] Control panel	Not included in the scope of delivery	
[7] Proximity switch SME-10-KL	Not included in the scope of delivery (electrical connection, outlet on long side)	36
[7] Proximity switch SME-10-SL	Not included in the scope of delivery (electrical connection, outlet on long side)	36

## Peripherals

### Peripherals overview Panel mounting, polymer lever right

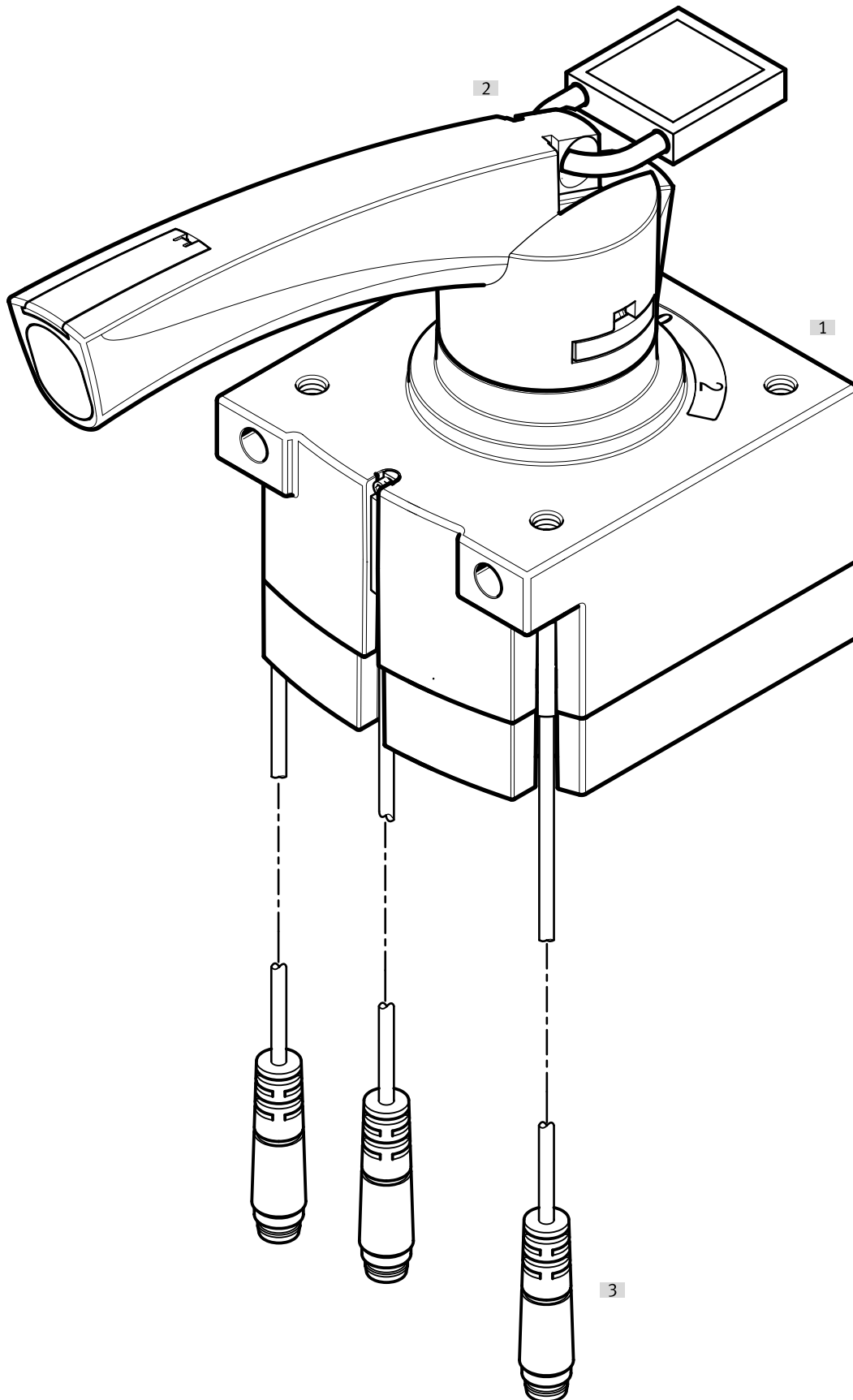


## Peripherals

Accessories		→ Page/Internet
Type/order code	Description	
[1] Hand lever valve VHER	Connection size M5, G1/8, G1/4, G1/2 (pneumatic connections on the side)	
[2] Operating lever	Large, polymer	
[3] Lever attachment	Large	
[4] Inscription label		
[5] Knurled nut		
[6] Control panel	Not included in the scope of delivery	
[7] Proximity switch SME-10-KL	Not included in the scope of delivery (electrical connection, outlet on long side)	36
[7] Proximity switch SME-10-SL	Not included in the scope of delivery (electrical connection, outlet on long side)	36

## Peripherals

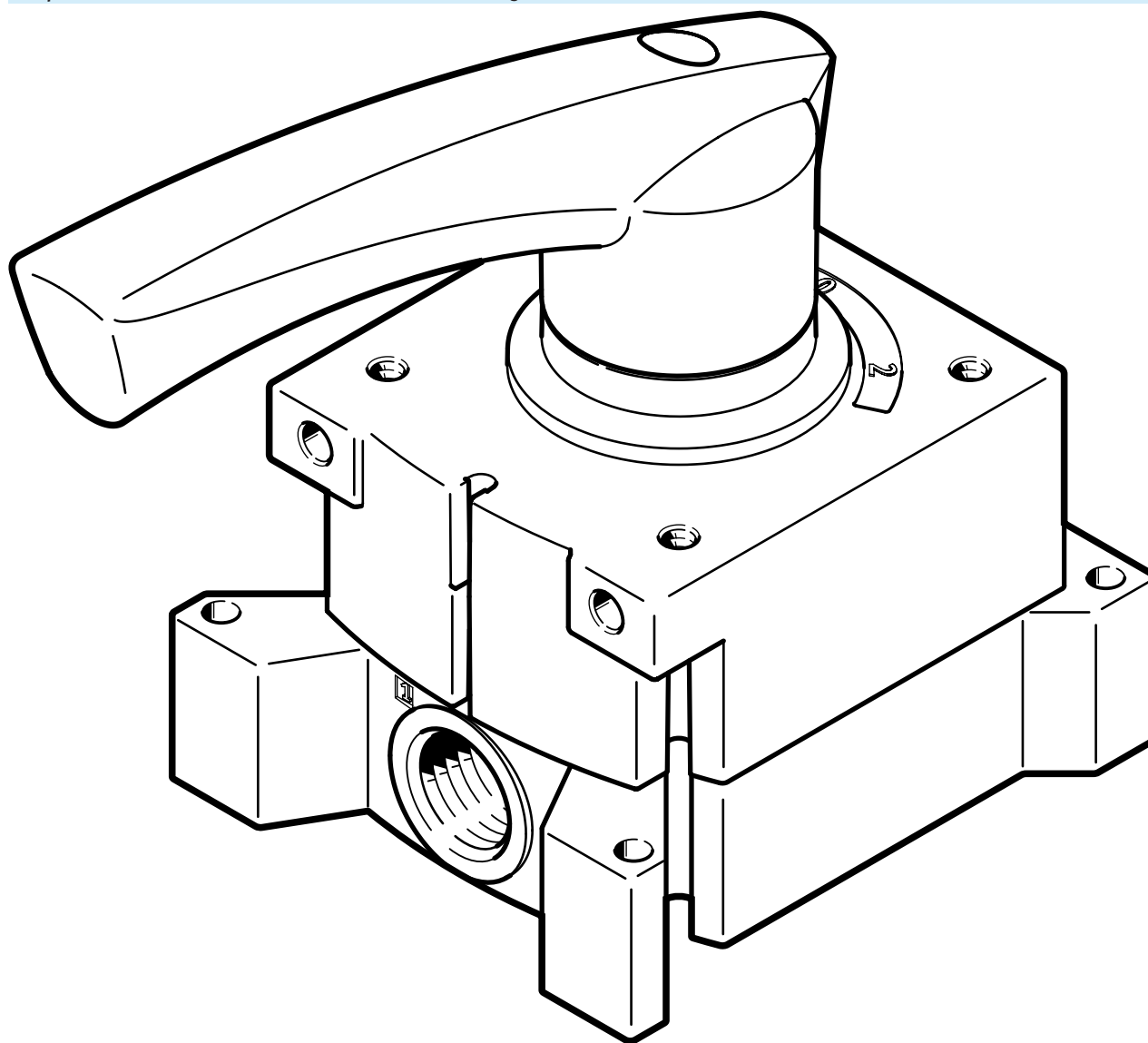
Peripherals overview Mounted valves with accessories on the left



## Peripherals


Accessories		→ Page/Internet
Type/order code	Description	
[1] Hand lever valve VHER-P-H...	- Connection size M5, G1/8, G1/4, G1/2 with polymer lever, large pneumatic connections underneath) - For design reasons, not every hand lever valve VHER can be screwed to a control panel on the lever side using retaining screws.	
[2] Lock	Not included in the scope of delivery	
[3] Proximity switch SME-10-KL	Not included in the scope of delivery (electrical connection, outlet on long side)	36
[3] Proximity switch SME-10-SL	Not included in the scope of delivery (electrical connection, outlet on long side)	36


## Peripherals overview Mounted valves with accessories on the right





Accessories		→ Page/Internet
Type/order code	Description	
[1] Hand lever valve VHER-H...	- Connection size M5, G1/8, G1/4, G1/2 with metal lever, large (pneumatic connections on the side) - For design reasons, not every hand lever valve VHER can be screwed to a control panel on the lever side using retaining screws.	


## Accessories


Metal lever, push-in fittings, pneumatic connection underneath, external hexagon (short version)					
	Pneumatic connection, port 1	Pneumatic connection, port 2	Packaging unit [units]	Part no.	Type
	Male thread G1/8	For tubing outside diameter of 4 mm	10	★ 186264	QSM-G1/8-4
		For tubing outside diameter of 6 mm		★ 186265	QSM-G1/8-6

Metal lever, push-in fittings, pneumatic connection underneath, internal hexagon					
	Pneumatic connection, port 1	Pneumatic connection, port 2	Packaging unit [units]	Part no.	Type
	Male thread G1/8	For tubing outside diameter of 4 mm	10	★ 186095	QS-G1/8-4
		For tubing outside diameter of 6 mm		★ 186096	QS-G1/8-6
		For tubing outside diameter of 8 mm		★ 186098	QS-G1/8-8
	Male thread G1/4	For tubing outside diameter of 6 mm	10	★ 186097	QS-G1/4-6
		For tubing outside diameter of 10 mm		★ 186101	QS-G1/4-10
	Male thread G1/2	For tubing outer diameter of 12 mm	10	★ 186104	QS-G1/2-12
For tubing outside diameter of 16 mm		★ 186105		QS-G1/2-16	

Metal lever, push-in fittings, pneumatic connection underneath, internal hexagon (short version)					
	Pneumatic connection, port 1	Pneumatic connection, port 2	Packaging unit [units]	Part no.	Type
	Male thread G1/8	For tubing outside diameter of 4 mm	10	★ 186266	QSM-G1/8-4-l
		For tubing outside diameter of 6 mm		★ 186267	QSM-G1/8-6-l


Metal lever, push-in fittings, pneumatic connection underneath, internal hexagon					
	Pneumatic connection, port 1	Pneumatic connection, port 2	Packaging unit [units]	Part no.	Type
	Male thread G1/8	For tubing outside diameter of 4 mm	10	★ 186106	QS-G1/8-4-l
		For tubing outside diameter of 6 mm		★ 186107	QS-G1/8-6-l
		For tubing outside diameter of 8 mm		★ 186109	QS-G1/8-8-l
	Male thread G1/4	For tubing outside diameter of 6 mm	10	★ 186108	QS-G1/4-6-l
		For tubing outside diameter of 8 mm		★ 186110	QS-G1/4-8-l
		For tubing outside diameter of 10 mm		★ 186112	QS-G1/4-10-l
	Male thread G1/2	For tubing outer diameter of 12 mm	1	★ 186115	QS-G1/2-12-l


Metal lever, push-in fittings, pneumatic connection on the side, internal hexagon (short version)					
	Pneumatic connection, port 1	Pneumatic connection, port 2	Packaging unit [units]	Part no.	Type
	Male thread G1/8	For tubing outside diameter of 4 mm	10	★ 186266	QSM-G1/8-4-l
		For tubing outside diameter of 6 mm		★ 186267	QSM-G1/8-6-l


Metal lever, push-in fittings, pneumatic connection on the side, internal hexagon					
	Pneumatic connection, port 2	Packaging unit [units]	Part no.	Type	
	For tubing outside diameter of 4 mm	10	★ 186106	QS-G1/8-4-l	





## Accessories

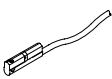
Metal lever, push-in fittings, pneumatic connection on the side, internal hexagon					
	Pneumatic connection, port 2	Packaging unit [units]	Part no.	Type	
	For tubing outside diameter of 6 mm	10	★ 186108	QS-G1/4-6-I	
			★ 186107	QS-G1/8-6-I	
	For tubing outside diameter of 8 mm		★ 186109	QS-G1/8-8-I	
			★ 186110	QS-G1/4-8-I	
	For tubing outside diameter of 10 mm		★ 186112	QS-G1/4-10-I	
	For tubing outer diameter of 12 mm	1	★ 186115	QS-G1/2-12-I	


Metal lever, silencer, pneumatic connection underneath, without housing					
	Pneumatic connection	Material screwed plug	Material shock absorber insert	Part no.	Type
	G1/8	PE	PE	★ 161419	UC-1/8
	G1/4			★ 165004	UC-1/4

Metal lever, silencer, pneumatic connection underneath						
	Pneumatic connection	Material screwed plug	Material shock absorber insert	Material housing	Part no.	Type
	G1/8		PE		★ 2307	U-1/8
		Aluminium		Aluminium	6841	U-1/8-B
	G1/4				★ 2316	U-1/4
		Aluminium		Aluminium	6842	U-1/4-B
	G1/2				6844	U-1/2-B


Metal lever, silencer, pneumatic connection on the side, without housing					
	Pneumatic connection	Material screwed plug	Material shock absorber insert	Part no.	Type
	G1/8	PE	PE	★ 161419	UC-1/8
	G1/4			★ 165004	UC-1/4


Metal lever, silencer, pneumatic connection on the side						
	Pneumatic connection	Material screwed plug	Material shock absorber insert	Material housing	Part no.	Type
	G1/2	Aluminium	PE	Aluminium	6844	U-1/2-B


Metal lever, proximity switch, connection outlet direction lengthways				
	Electrical connection	Cable length	Part no.	Type
		0.3 m	173212	SME-10-SL-LED-24
		2.5 m	173210	SME-10-KL-LED-24


Metal lever, blanking plug with sealing ring, internal hexagon				
	Pneumatic connection, port 1	Packaging unit [units]	Part no.	Type
	Male thread G1/8	10	★ 3568	B-1/8
		100	534213	B-1/8-100
	Male thread G1/4	10	★ 3569	B-1/4
		50	534214	B-1/4-50
	Male thread G1/2	10	★ 3571	B-1/2
		20	534216	B-1/2-20

## Accessories


Polymer lever, push-in fittings, pneumatic connection underneath, internal hexagon (short version)					
	Pneumatic connection, port 1	Pneumatic connection, port 2	Packaging unit [units]	Part no.	Type
	Male thread M5	For tubing outer diameter of 3 mm	10	153313	QSM-M5-3-I
		For tubing outside diameter of 4 mm		★ 153315	QSM-M5-4-I
		For tubing outside diameter of 6 mm		★ 153317	QSM-M5-6-I
	Male thread G1/8	For tubing outside diameter of 4 mm		★ 186266	QSM-G1/8-4-I
		For tubing outside diameter of 6 mm		★ 186267	QSM-G1/8-6-I


Polymer lever, push-in fittings, pneumatic connection on the side, internal hexagon (short version)					
	Pneumatic connection, port 1	Pneumatic connection, port 2	Packaging unit [units]	Part no.	Type
	Male thread M5	For tubing outer diameter of 3 mm	10	153313	QSM-M5-3-I
		For tubing outside diameter of 4 mm		★ 153315	QSM-M5-4-I
	Male thread G1/8	For tubing outside diameter of 4 mm		★ 186266	QSM-G1/8-4-I
		For tubing outside diameter of 6 mm		★ 186267	QSM-G1/8-6-I


Polymer lever, push-in fittings, pneumatic connection underneath, internal hexagon					
	Pneumatic connection, port 1	Pneumatic connection, port 2	Packaging unit [units]	Part no.	Type
	Male thread G1/8	For tubing outside diameter of 4 mm	10	★ 186106	QS-G1/8-4-I
		For tubing outside diameter of 6 mm		★ 186107	QS-G1/8-6-I
		For tubing outside diameter of 8 mm		★ 186109	QS-G1/8-8-I
	Male thread G1/4	For tubing outside diameter of 6 mm		★ 186108	QS-G1/4-6-I
		For tubing outside diameter of 8 mm		★ 186110	QS-G1/4-8-I
		For tubing outside diameter of 10 mm		★ 186112	QS-G1/4-10-I
	Male thread G1/2	For tubing outer diameter of 12 mm	1	★ 186115	QS-G1/2-12-I


Polymer lever, push-in fittings, pneumatic connection on the side, internal hexagon					
	Pneumatic connection, port 1	Pneumatic connection, port 2	Packaging unit [units]	Part no.	Type
	Male thread G1/8	For tubing outside diameter of 4 mm	10	★ 186106	QS-G1/8-4-I
		For tubing outside diameter of 6 mm		★ 186107	QS-G1/8-6-I
		For tubing outside diameter of 8 mm		★ 186109	QS-G1/8-8-I
	Male thread G1/4	For tubing outside diameter of 6 mm		★ 186108	QS-G1/4-6-I
		For tubing outside diameter of 8 mm		★ 186110	QS-G1/4-8-I
		For tubing outside diameter of 10 mm		★ 186112	QS-G1/4-10-I
	Male thread G1/2	For tubing outer diameter of 12 mm	1	★ 186115	QS-G1/2-12-I


## Accessories


Polymer lever, push-in fittings, pneumatic connection underneath, external hexagon					
	Pneumatic connection, port 1	Pneumatic connection, port 2	Packaging unit [units]	Part no.	Type
	Male thread G1/8	For tubing outside diameter of 4 mm	10	★ 186095	QS-G1/8-4
		For tubing outside diameter of 6 mm		★ 186096	QS-G1/8-6
		For tubing outside diameter of 8 mm		★ 186098	QS-G1/8-8
	Male thread G1/4	For tubing outside diameter of 6 mm		★ 186097	QS-G1/4-6
		For tubing outside diameter of 10 mm		★ 186101	QS-G1/4-10
	Male thread G1/2	For tubing outer diameter of 12 mm		1	★ 186104
For tubing outside diameter of 16 mm		★ 186105	QS-G1/2-16		

Polymer lever, silencer, pneumatic connection underneath, without housing					
	Pneumatic connection	Material screwed plug	Material shock absorber insert	Part no.	Type
	M5	PE	PE	★ 165003	UC-M5
	G1/8			★ 161419	UC-1/8
	G1/4			★ 165004	UC-1/4



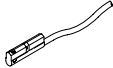
Polymer lever, silencer, pneumatic connection underneath						
	Pneumatic connection	Material screwed plug	Material shock absorber insert	Material housing	Part no.	Type
	G1/8		PE		★ 2307	U-1/8
		Aluminium		Aluminium	6841	U-1/8-B
	G1/4				★ 2316	U-1/4
		Aluminium		Aluminium	6842	U-1/4-B
	G1/2				6844	U-1/2-B

Polymer lever, silencer, pneumatic connection on the side, without housing					
	Pneumatic connection	Material screwed plug	Material shock absorber insert	Part no.	Type
	M5	PE	PE	★ 165003	UC-M5
	G1/8			★ 161419	UC-1/8
	G1/4			★ 165004	UC-1/4

Polymer lever, silencer, pneumatic connection on the side					
	Pneumatic connection	Material screwed plug	Material shock absorber insert	Part no.	Type
	G1/2	Aluminium	PE	6844	U-1/2-B

Polymer lever, blanking plug with sealing ring, internal hexagon					
	Pneumatic connection, port 1	Packaging unit [units]	Part no.	Type	
	Male thread G1/8	10	★ 3568	B-1/8	
		100	534213	B-1/8-100	
	Male thread G1/4	10	★ 3569	B-1/4	
		50	534214	B-1/4-50	
	Male thread G1/2	10	★ 3571	B-1/2	

## Accessories

Polymer lever, blanking plug with sealing ring, internal hexagon				
	Pneumatic connection, port 1	Packaging unit [units]	Part no.	Type
	Male thread G1/2	20	<b>534216</b>	<b>B-1/2-20</b>
Polymer lever, blanking plug with sealing ring, external hexagon				
	Pneumatic connection, port 1	Packaging unit [units]	Part no.	Type
	Male thread M5	10	★ <b>3843</b>	<b>B-M5</b>
		100	<b>534212</b>	<b>B-M5-100</b>
Polymer lever, proximity switch, connection outlet direction lengthways				
	Electrical connection	Cable length	Part no.	Type
		0.3 m	<b>173212</b>	<b>SME-10-SL-LED-24</b>
		2.5 m	<b>173210</b>	<b>SME-10-KL-LED-24</b>