

# On/off valve MS-EE-B

**FESTO**



## Characteristics

### At a glance

- Very compact and extremely lightweight series for use close to the process directly in the machine.
- Grid dimension: 40 mm; 62 mm
- With solenoid coil, without plug socket
- Supply voltage: 24 VDC

### Product segmentation



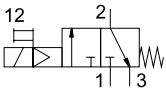
#### Festo Core Range

Solves the majority of your automation tasks

With the Festo Core Range, we have selected the most important products and functions from our broad product catalogue, and added the quickest delivery. The Core Range offers you the best value with the expected high Festo quality.

- Quickest delivery, worldwide – wherever, whenever
- Expected high Festo quality
- Easy and fast to select

### Function



- Solenoid actuated on/off valve for pressurising and exhausting pneumatic systems
- Ducted exhaust air is possible via threaded connection at port 3 with silencer
- Detenting and non-detenting manual override

### Pneumatic connection

Individual fittings that are fastened via a female thread

### Special material properties

[F1A] Recommended for production plants for manufacturing lithium-ion batteries, F1A

Metals with copper, zinc or nickel as the main component are excluded from use. Exceptions are nickel in steels, chemically nickel-plated surfaces, circuit boards, cables, electrical plug connectors and coils

### Version

[B] Second generation

Basic component with sturdy and lightweight polymer housing. Fully compatible with the MS series.

## Type code

001	Series
MS	MS series

002	Size
4	Grid dimension 40 mm
6	Grid dimension 62 mm

003	Function
EE	On/off valve, electric

004	Pneumatic connection
1/4	Female thread G1/4
1/2	Female thread G1/2

005	Supply voltage
V24	24 V DC (connection pattern to EN 175301)

006	Special material properties
F1A	Recommended for production plants for manufacturing lithium-ion batteries, F1A

007	Version
B	Second generation

## Datasheet

## General technical data

Size	4	6
Pneumatic connection, port 1	G1/4	G1/2
Pneumatic connection, port 2	G1/4	G1/2
Pneumatic connection, port 3	G1/4	G1/2
Design	Poppet valve, electrically actuated	
Lap	Underlap	
Type of mounting	Via wall/surface bracket	
Mounting position	Vertical +/-5°	
Valve function	3/2-way, closed, monostable	
Manual override	Detenting, Non-detenting	
Type of reset	Mechanical spring	
Type of piloting	Pilot actuated	
Pilot air supply	Internal	

## Electrical data

Characteristic coil data	24 V DC: 2.3 W	
Permissible voltage fluctuations	+/- 10%	
Switch-on time	29 ms	
Electrical connection	Type C To EN 175301-803	
Degree of protection	IP65	

## Flow characteristics

Size	4	6
Pneumatic connection, port 1	G1/4	G1/2
Standard nominal flow rate <sup>1)</sup>	2,000 l/min	5,000 l/min
Standard nominal flow rate, exhaust 0.6->0 MPa (6->0 bar, 87->0 psi)	1,600	-
C value	8.36 l/sbar	-
b value	0.49	-

1) Measured at p1 = 6 bar and p2 = 5 bar, Δp = 1 bar.

## Operating and environmental conditions

Operating pressure	0.3 ... 0.7 MPa	
Operating pressure	3 ... 7 bar	
Operating medium	Compressed air to ISO 8573-1:2010 [7:4:4]	
Ambient temperature	-5 ... 50°C	
Media temperature	-5 ... 50°C	
Corrosion resistance class CRC <sup>1)</sup>	1 - Low corrosion stress	

1) Corrosion resistance class CRC 1 to Festo standard FN 940070. Low corrosion stress. Dry indoor application or transport and storage protection. Also applies to parts behind covers, in the non-visible interior area, or parts which are covered in the application (e.g. drive trunnions).

## Materials

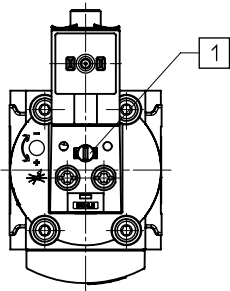
Material housing	PA-reinforced
Material seals	HNBR NBR
Note on materials	RoHS-compliant
LABS (PWIS) conformity	VDMA24364-B1/B2-L

## Additional material specifications – products for battery production (MS...-F1A-B)

Suitability for the production of Li-ion batteries	Metals with more than 1% copper, zinc or nickel by mass are excluded from use. Exceptions are nickel in steel, chemically nickel-plated surfaces, printed circuit boards, cables, electrical plug connectors and coils
--	--

# Datasheet

## Manual override

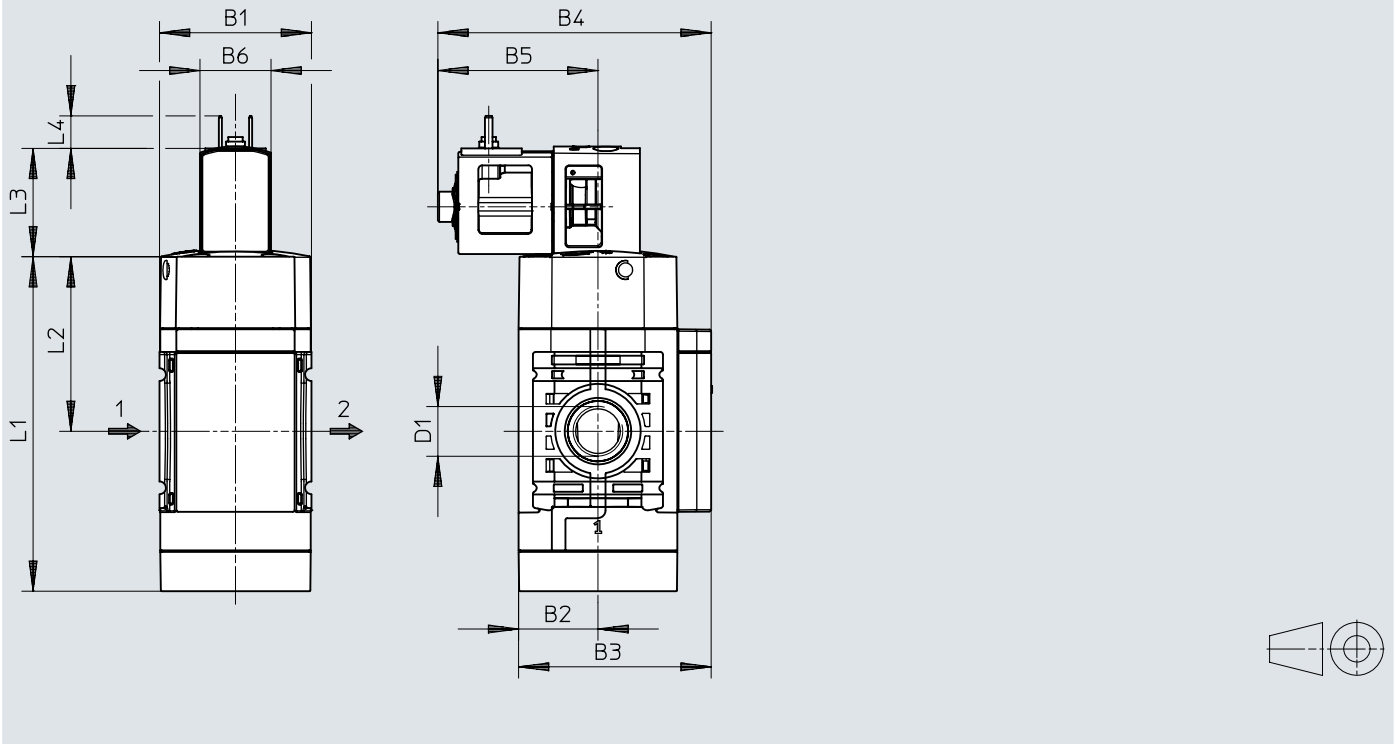


[1] Detenting and non-detenting manual override

## Dimensions

### Dimensions – Basic version

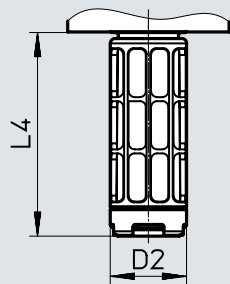
Download CAD data → [www.festo.com](http://www.festo.com)



	B1	B2	B3	B4	B5	B6	D1	L1	L2	L3	L4
MS4-EE-...-B	40,2	21	50,9	72,3	42,4	18,8	G1/4	88,5	46,2	28,7	8,6
MS6-EE-...-B	62	31	76	87,7	42,7	18,8	G1/2	140	75,5	28,2	8,6

## Dimensions

## Dimensions – Silencer (accessory)

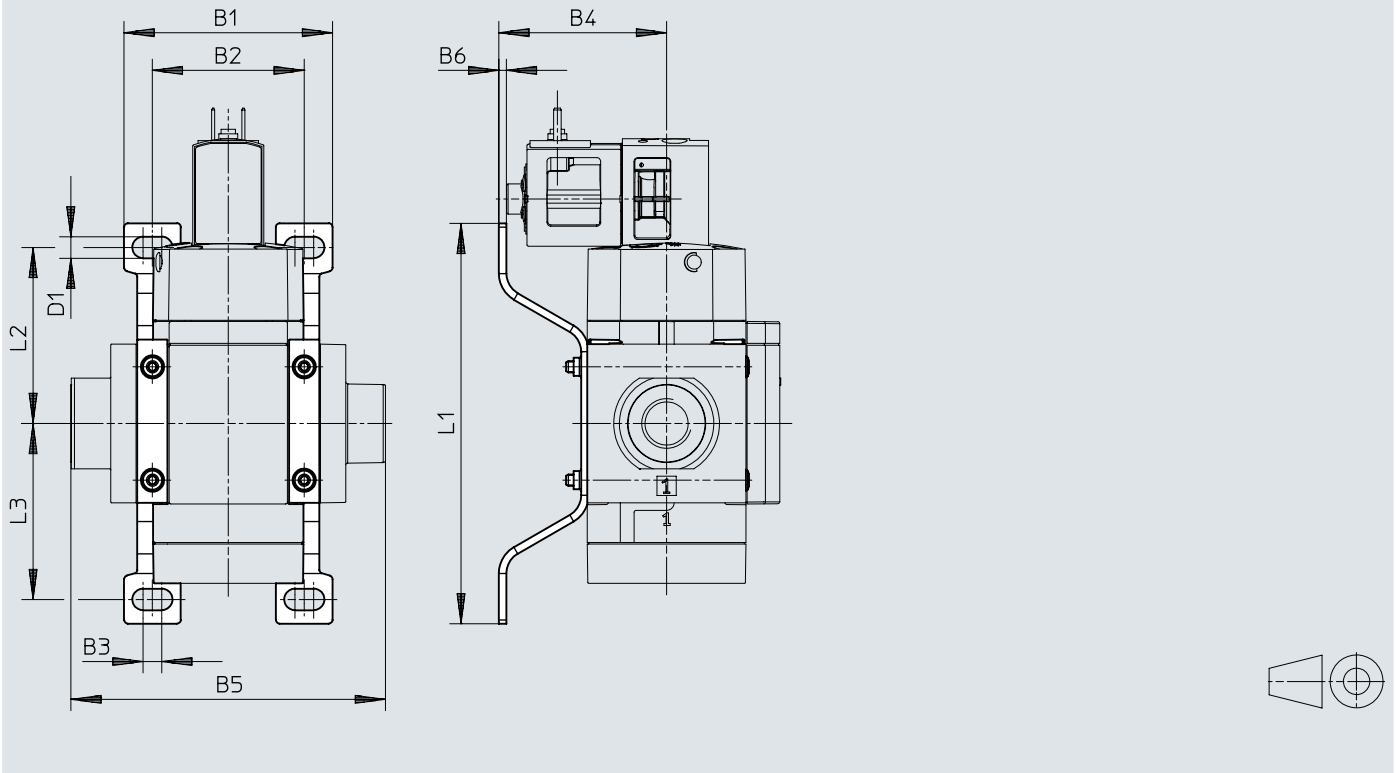
Download CAD data → [www.festo.com](http://www.festo.com)

	D2 Ø	L4
U-1/4	20	55
U-1/2	28	108

## Dimensions

Dimensions – Wall mounting kit MS...-WPE-B (accessories)


Download CAD data → [www.festo.com](http://www.festo.com)




	B1	B2	B3	B4	B5	B6	D1 ∅	L1	L2	L3
MS4-WPE-B	55,2	40,2	5	44,4	83,3	2	5,7	106	46,6	46,6
MS6-WPE-B	79	62	4,3	53,9	114,9	2	6,5	158	71	71



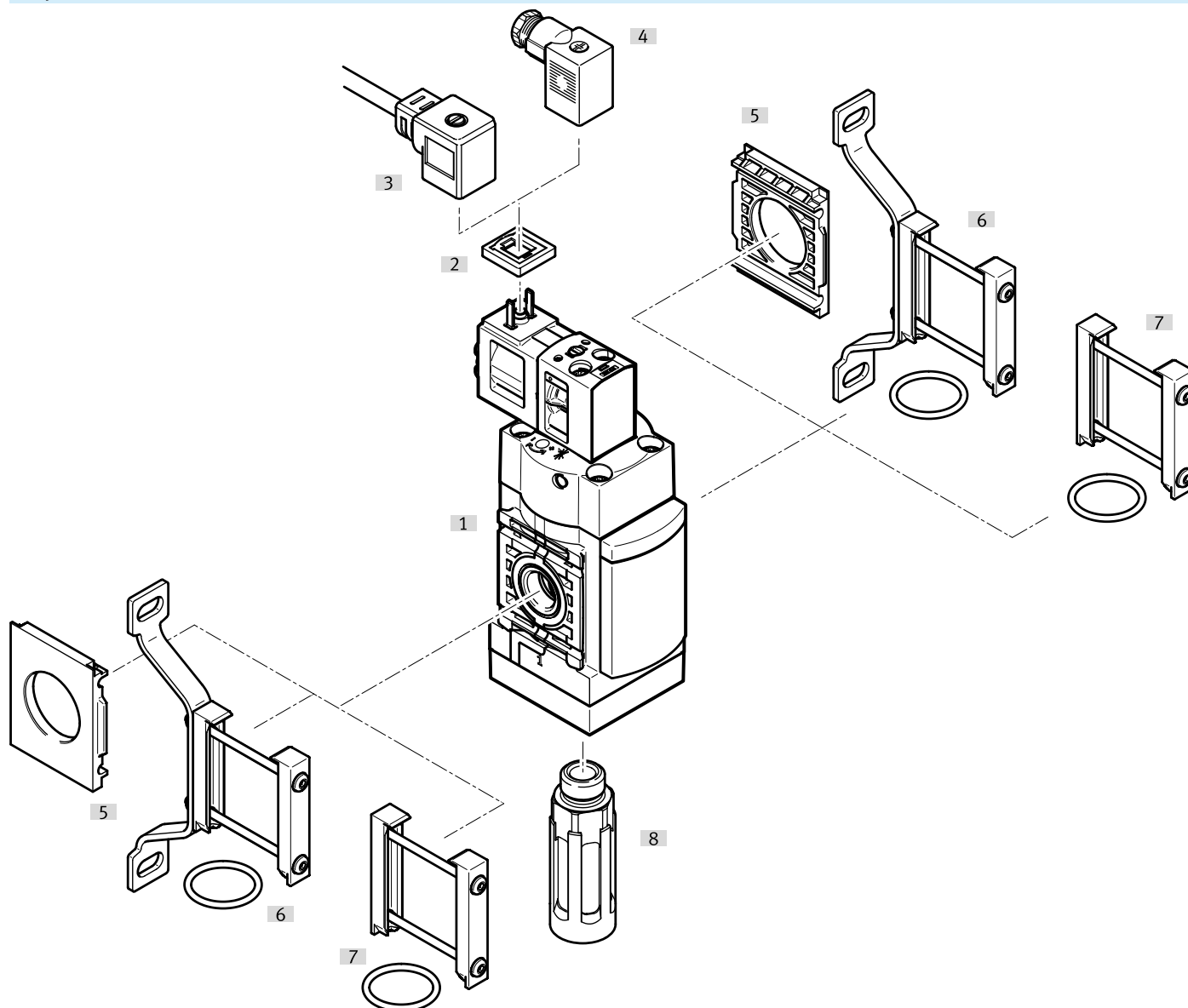
## Ordering data

Ordering data					
	Size	Pneumatic connection, port 1	Product weight	Part no.	Type
	4	G1/4	194 g	★ 8091771	MS4-EE-1/4-V24-B
	6	G1/2	517 g	★ 8091578	MS6-EE-1/2-V24-B

Ordering data – Products for battery production					
	Size	Pneumatic connection, port 1	Product weight	Part no.	Type
	4	G1/4	194 g	8176512	MS4-EE-1/4-V24-F1A-B
	6	G1/2	517 g	8176514	MS6-EE-1/2-V24-F1A-B

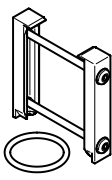
## Peripherals

### Peripherals overview

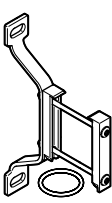


Accessories		→ Page/Internet
Type/order code	Description	
[1] On/off valve MS-EE-B		ms-ee-b
[2] Silencer U		11
[3] Module connector MS...-MV1		11
[4] Wall mounting kit MS...-WPE-B	Without illustration	11
[5] Mounting plate MS...-AEND	Module connector MS4/6-MV [2] or mounting bracket MS4-WP, WPB, WPE, WPM [3] is required for mounting.	11
[6] Illuminating seal MEB-LD		11
[7] Plug socket MSSD-EB	For on/off valve MS...-V24P and MS...-V24-...-EX2, the plug socket is included in the scope of delivery.	11
[8] Plug socket with cable KMEB		12

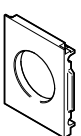
## Accessories

Module connector MS...-MV1					
	Size	Suitability for the production of Li-ion batteries	Product weight	Part no.	Type
	4		13 g	★ 8119201	MS4-MV1
		F1a	36 g	8176695	MS4-MV1-F1A
	6		33 g	★ 8119204	MS6-MV1
		F1a	54 g	8176697	MS6-MV1-F1A

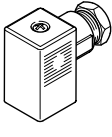
  

Wall mounting kit MS...-WPE-B					
	Size	Product weight	Part no.	Type	
	4	30 g	★ 8118600	MS4-WPE-B	
	6	58 g	★ 8118599	MS6-WPE-B	

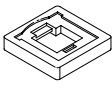
  

Mounting plate MS...-AEND					
	Size	Product weight	Part no.	Type	
	4	4 g	542966	MS4-AEND	
	6	11.1 g	535408	MS6-AEND1	

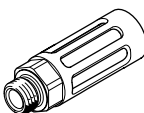
  

Plug socket MSSD-EB					
	Electrical connection	Product weight	Part no.	Type	
	4-pin, Socket, Type C	17 g	192745	MSSD-EB-S-M14	
	3-pin, Socket, Angled socket, Type C, To DIN EN 175301-803, To DIN EN 61984, Square design MSEB, Square design MSN2	11 g	★ 151687	MSSD-EB	

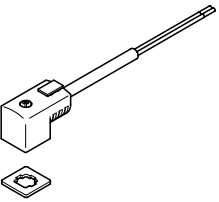
  

Illuminating seal MEB-LD					
	Operational voltage range DC	Product weight	Part no.	Type	
	12 ... 24 V	0.6 g	151717	MEB-LD-12-24DC	

Silencer U					
	Pneumatic connection	Product weight	Part no.	Type	
	G1/4	7.7 g	★ 2316	U-1/4	
	G1/2	58.2 g	★ 2310	U-1/2	

## Accessories

Plug socket with cable KMEB						
	Nominal operating voltage DC	Electrical connection 2, number of connections/cores	Signal status display	Cable length	Part no.	Type
	24 V	2		2.5 m	547270	KMEB-3-24-2.5
				5 m	547271	KMEB-3-24-5
			Yellow LED	2.5 m	547268	KMEB-3-24-2.5-LED
				5 m	547269	KMEB-3-24-5-LED
		3	2.5 m	★ 151688	KMEB-1-24-2.5-LED	
			5 m	151689	KMEB-1-24-5-LED	
			10 m	193457	KMEB-1-24-10-LED	