

Fine filter LFMB

FESTO



Characteristics

At a glance

High-efficiency filter for special requirements.

- Air quality to ISO 8573-1:2010
- With or without connecting plates

Diagrams

[Link](#) [lfmb-d](#)



The diagrams shown in this document are also available online. These can be used to display precise values.

Version

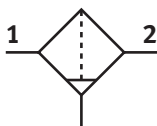
[D] D series, metal

Sturdy in full metal design for the specific requirements of the process automation industry

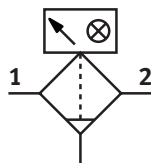
Filter change sensing

Optionally with differential pressure display for indicating filter contamination.

[] None



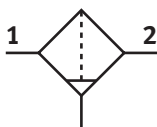
[DA] Differential pressure display, visual



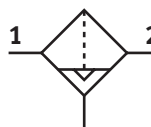
Condensate drain

Optionally with manual or fully automatic condensate drain

[] Manually rotating



[A] Fully automatic



Type code

001	Series
LFMB	Fine filter
002	Pneumatic connection
	None
1/8	Female thread G1/8
1/4	Female thread G1/4
3/8	Female thread G3/8
1/2	Female thread G1/2
3/4	Female thread G3/4
1	Female thread G1
003	Version
D	D series, metal

004	Size
MINI	Grid dimension 40 mm (without connecting plates)
MIDI	Grid dimension 55 mm (without connecting plates)
MAXI	Grid dimension 66 mm (without connecting plates)
005	Filter change sensing
	None
DA	Differential pressure display, visual
006	Condensate drain
A	Fully automatic
	Manually rotating

Datasheet

General technical data

Size	Maxi	Midi	Mini
Pneumatic connection, port 1	Sub-base, G1/4, G1/2, G3/4, G1	Sub-base, G1/8, G1/4, G3/8, G1/2, G3/4	Sub-base, G1/8, G1/4, G3/8, G3/4
Pneumatic connection, port 2	Sub-base, G1/4, G1/2, G3/4, G1	Sub-base, G1/8, G1/4, G3/8, G1/2, G3/4	Sub-base, G1/8, G1/4, G3/8, G3/4
Design	Fibre filter		
Type of mounting	Either: In-line installation With accessories		
Mounting position	Vertical +/-5°		
Grade of filtration	1 µm		
Air purity class at output	Compressed air to ISO 8573-1:2010 [5:7:3] Inert gases		
Filter efficiency	99.99%		
Bowl guard	Metal bowl guard		
Condensate drain	Fully automatic Manually rotating		
Differential pressure display	Visual display		
Residual oil content	0.5 mg/m ³		
Max. condensate volume	22 cm ³ , 80 cm ³	22 cm ³ , 43 cm ³	22 cm ³ , 43 cm ³ , 80 cm ³

Standard nominal flow rate qnN (measured at p1 = 6 bar)

Size	Maxi				Midi					Mini			
	G1/4	G1/2	G3/4	G1	G1/8	G1/4	G3/8	G1/2	G3/4	G1/8	G1/4	G3/8	G3/4
Max. standard flow rate for clean air class	650 l/min	2,400 l/min	2,220 l/min	2,780 l/min	500 l/min	900 l/min	1,420 l/min	1,750 l/min	1,980 l/min	500 l/min	650 ... 900 l/min	675 l/min	2,220 l/min
Min. standard flow rate for clean air class	150 l/min	800 l/min	750 l/min	620 l/min	150 l/min	350 l/min	500 l/min		600 l/min	150 l/min	150 ... 350 l/min	125 l/min	750 l/min

Operating and environmental conditions

Condensate drain	Fully automatic	Manually rotating
Operating pressure	2 ... 12 bar	1 ... 16 bar
Operating medium ¹⁾	Compressed air to ISO 8573-1:2010 [6:8:4] Inert gases	
Ambient temperature	-10 ... 60°C	
Media temperature	1.5 ... 60°C	
Storage temperature	-10 ... 60°C	
Corrosion resistance class CRC ²⁾	2 - Moderate corrosion stress	

1) Compressed air according to ISO 8573-1:2010 [7:9:-] applies to fully automatic condensate drain

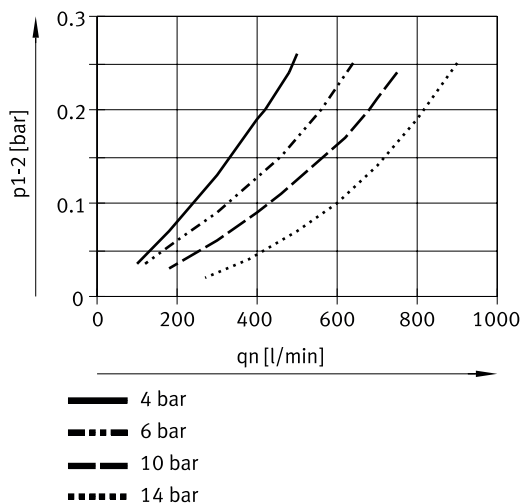
2) More information www.festo.com/x/topic/crc

Materials

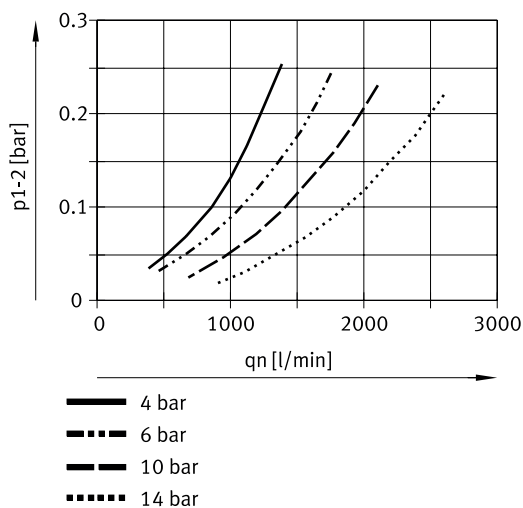
Material housing	Die-cast zinc
Material bowl	PC
Material filter	Borosilicate fibre
Note on materials	RoHS-compliant
LABS (PWIS) conformity	VDMA24364-B1/B2-L

Datasheet

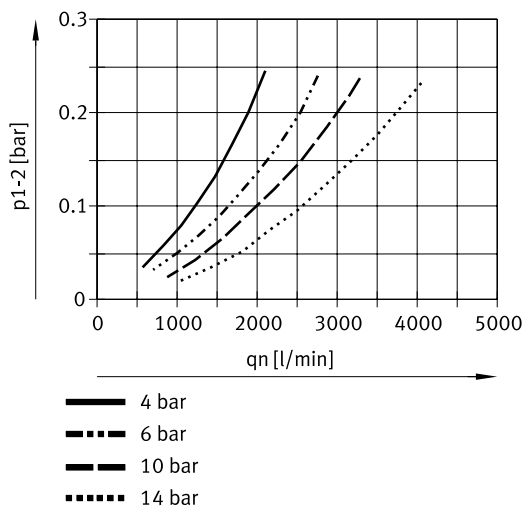
Standard flow rate q_n as a function of differential pressure Δp_{1-2} (LFMB-1/4-D-MINI)



Standard flow rate q_n as a function of differential pressure Δp_{1-2} (LFMB-1/2-D-MIDI)



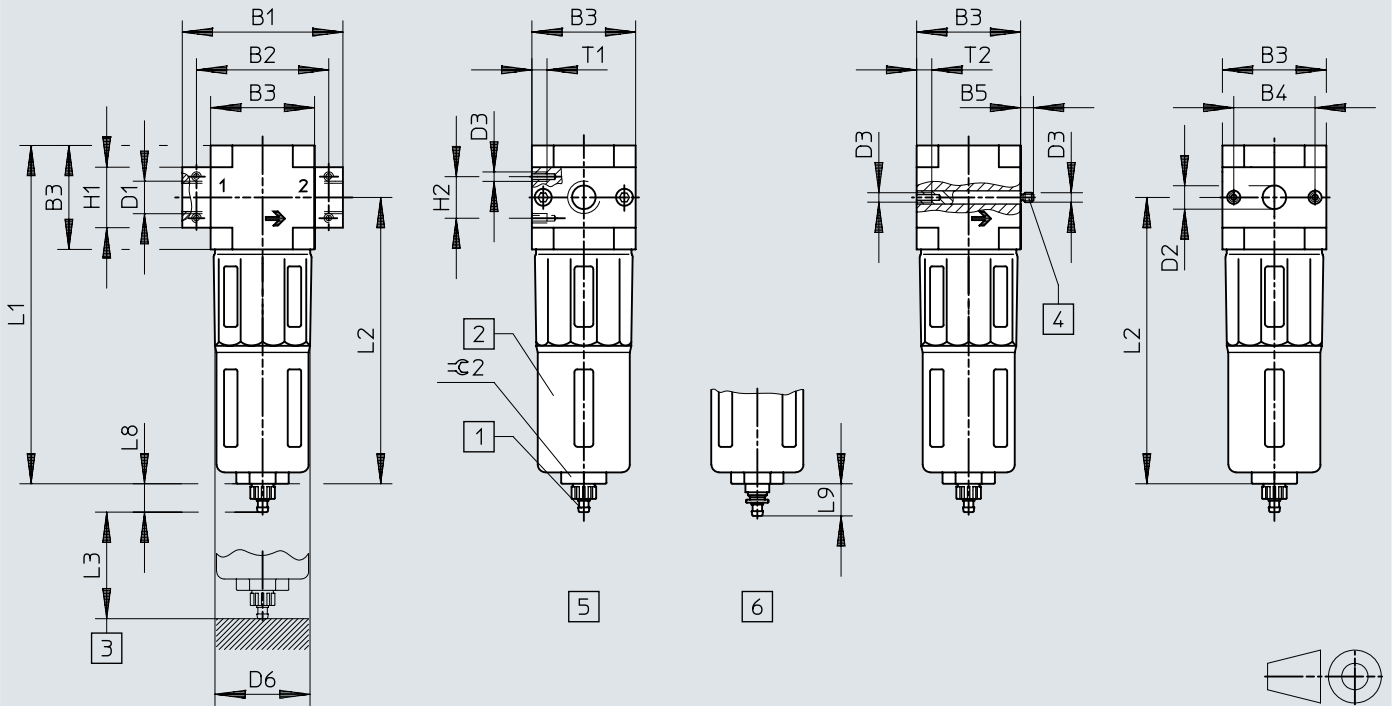
Standard flow rate q_n as a function of differential pressure Δp_{1-2} (LFMB-1-D-MAXI)



Dimensions

Dimensions – Sub-bases with threaded connection, without sub-bases

Download CAD data www.festo.com



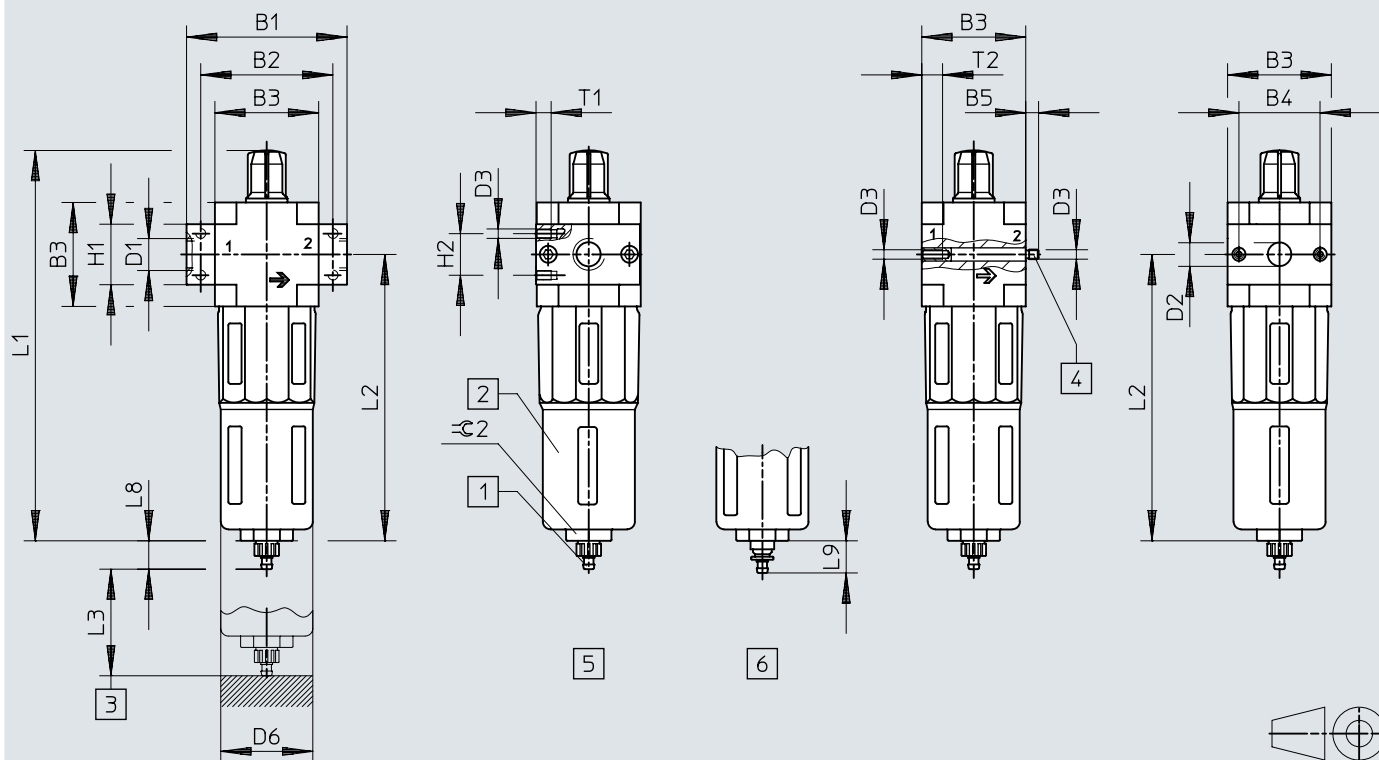
- [1] Barbed connector for plastic tubing PUN(-H)-8x1.25
- [2] Metal bowl guard
- [3] Installation dimension
- [4] Threaded bolt (exchangeable)
- [5] Manual condensate drain
- [6] Fully automatic condensate drain

	B1	B2	B3	B4	B5	D1	D2	D3	D6	H1	H2	L1	L2	L3	L8	L9	T1	T2	$\varnothing 2$
Mini																			
LFMB-1/8-D-MINI	64	52	40	30	-	G1/8	-	M4	38	20	11	144	124	60	15	19	7	-	22
LFMB-1/4-D-MINI	70					G3/8													
LFMB-3/8-D-MINI	70																		
LFMB-D-MINI	-	-			5,8	-	11											-	10
Midi																			
LFMB-1/4-D-MIDI	85	70	55	43	-	G1/4	-	M5	52	32	22	179	151	80	15	19	8	-	24
LFMB-3/8-D-MIDI						G3/8													
LFMB-1/2-D-MIDI						G1/2													
LFMB-3/4-D-MIDI						G3/4													
LFMB-D-MIDI	-	-			6,8	-	24											-	11
Maxi																			
LFMB-1/2-D-MAXI	96	80	66	46	-	G1/2	-	M5	65	32	22	203	170	90	15	19	8	-	24
LFMB-3/4-D-MAXI						G3/4													
LFMB-1-D-MAXI	116	91				G1													
LFMB-D-MAXI	-	-				6,8													

Dimensions

Dimensions – With differential pressure display DA


Download CAD data www.festo.com




- [1] Barbed connector for plastic tubing PUN(H)-8x1.25
- [2] Metal bowl guard
- [3] Installation dimension
- [4] Threaded bolt (exchangeable)
- [5] Manual condensate drain
- [6] Fully automatic condensate drain


	B1	B2	B3	B4	B5	D1	D2 ∅	D3	D6 ∅	H1	H2	L1	L2	L3	L8	L9	T1	T2	±G 2	
Mini																				
LFMB-1/8-D-MINI-DA	64	52	40	30	-	G1/8	-	M4	38	20	11	173	124	60	15	19	7	-	22	
LFMB-1/4-D-MINI-DA						G1/4														
LFMB-3/8-D-MINI-DA	70					G3/8														
LFMB-D-MINI-DA	-	-				5,8	-	11		-	-						-	10		
Midi																				
LFMB-1/4-D-MIDI-DA	85	70	55	43	-	G1/4	-	M5	52	32	22	207	151	80	15	19	8	-	24	
LFMB-3/8-D-MIDI-DA						G3/8														
LFMB-1/2-D-MIDI-DA						G1/2														
LFMB-3/4-D-MIDI-DA						G3/4														
LFMB-D-MIDI-DA	-	-				6,8	-	24		-	-						-	11		
Maxi																				
LFMB-1/2-D-MAXI-DA	96	80	66	46	-	G1/2	-	M5	65	32	22	232	170	90	15	19	8	-	24	
LFMB-3/4-D-MAXI-DA						G3/4														
LFMB-1-D-MAXI-DA	116	91				G1				40										
LFMB-D-MAXI-DA	-	-				6,8	-	30		-	-						-	11		

Ordering data

Fine filter LFMB						
	Size	Pneumatic connection, port 1	Condensate drain	Product weight	Part no.	Type
	Maxi	Sub-base	Fully automatic	1,200 g	192574	LFMB-D-MAXI-A
			Manually rotating		192571	LFMB-D-MAXI
		G1/2	Fully automatic		186474	LFMB-1/2-D-MAXI-A
			Manually rotating		186473	LFMB-1/2-D-MAXI
		G3/4	Fully automatic		162640	LFMB-3/4-D-MAXI-A
			Manually rotating		162632	LFMB-3/4-D-MAXI
	G1	Fully automatic	162641	LFMB-1-D-MAXI-A		
		Manually rotating	162633	LFMB-1-D-MAXI		
	Midi	Sub-base	Fully automatic	650 g	192573	LFMB-D-MIDI-A
			Manually rotating		192570	LFMB-D-MIDI
		G1/4	Fully automatic		186468	LFMB-1/4-D-MIDI-A
			Manually rotating		186467	LFMB-1/4-D-MIDI
		G3/8	Fully automatic		162637	LFMB-3/8-D-MIDI-A
			Manually rotating		162629	LFMB-3/8-D-MIDI
		G1/2	Fully automatic		162638	LFMB-1/2-D-MIDI-A
			Manually rotating		162630	LFMB-1/2-D-MIDI
		G3/4	Fully automatic		162639	LFMB-3/4-D-MIDI-A
			Manually rotating		162631	LFMB-3/4-D-MIDI
	Mini	Sub-base	Fully automatic	250 g	192572	LFMB-D-MINI-A
			Manually rotating		192569	LFMB-D-MINI
G1/8		Fully automatic	162634		LFMB-1/8-D-MINI-A	
		Manually rotating	162626		LFMB-1/8-D-MINI	
G1/4		Fully automatic	162635		LFMB-1/4-D-MINI-A	
		Manually rotating	162627		LFMB-1/4-D-MINI	
G3/8		Fully automatic	162636		LFMB-3/8-D-MINI-A	
		Manually rotating	162628		LFMB-3/8-D-MINI	

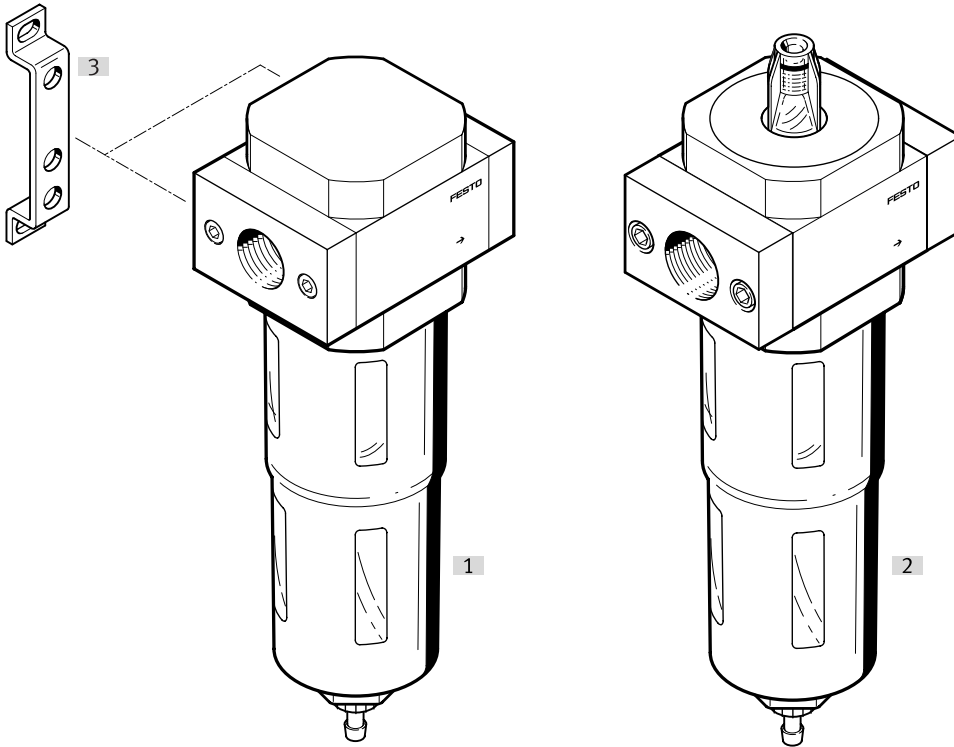
Fine filter LFMB with differential pressure display							
	Size	Pneumatic connection, port 1	Condensate drain	Product weight	Part no.	Type	
		Sub-base	Fully automatic	1,021 g	532816	LFMB-D-MAXI-DA-A	
			Manually rotating		532813	LFMB-D-MAXI-DA	
	Maxi	G1/4	Fully automatic	368 g	532828	LFMB-1/4-D-MINI-DA-A	
			Manually rotating		532818	LFMB-1/4-D-MINI-DA	
		G1/2	Fully automatic		1,340 g	532834	LFMB-1/2-D-MAXI-DA-A
			Manually rotating			532824	LFMB-1/2-D-MAXI-DA
		G1	Fully automatic			532836	LFMB-1-D-MAXI-DA-A
			Manually rotating			532826	LFMB-1-D-MAXI-DA
	Midi	Sub-base	Fully automatic	595 g		532815	LFMB-D-MIDI-DA-A
			Manually rotating			532812	LFMB-D-MIDI-DA
		G1/8	Fully automatic		368 g	532827	LFMB-1/8-D-MINI-DA-A
			Manually rotating			532817	LFMB-1/8-D-MINI-DA
		G3/8	Fully automatic		834 g	532831	LFMB-3/8-D-MIDI-DA-A
			Manually rotating			532821	LFMB-3/8-D-MIDI-DA
		G1/2	Fully automatic			532832	LFMB-1/2-D-MIDI-DA-A
			Manually rotating			532822	LFMB-1/2-D-MIDI-DA
		G3/4	Fully automatic			532833	LFMB-3/4-D-MIDI-DA-A
			Manually rotating			532823	LFMB-3/4-D-MIDI-DA
	Mini	Sub-base	Fully automatic	283 g	532814	LFMB-D-MINI-DA-A	

Ordering data

Fine filter LFMB with differential pressure display						
	Size	Pneumatic connection, port 1	Condensate drain	Product weight	Part no.	Type
	Mini	Sub-base	Manually rotating	283 g	532811	LFMB-D-MINI-DA
		G1/4	Fully automatic	834 g	532830	LFMB-1/4-D-MIDI-DA-A
			Manually rotating		532820	LFMB-1/4-D-MIDI-DA
		G3/8	Fully automatic	368 g	532829	LFMB-3/8-D-MINI-DA-A
			Manually rotating		532819	LFMB-3/8-D-MINI-DA
		G3/4	Fully automatic	1,340 g	532835	LFMB-3/4-D-MAXI-DA-A
			Manually rotating		532825	LFMB-3/4-D-MAXI-DA

Peripherals

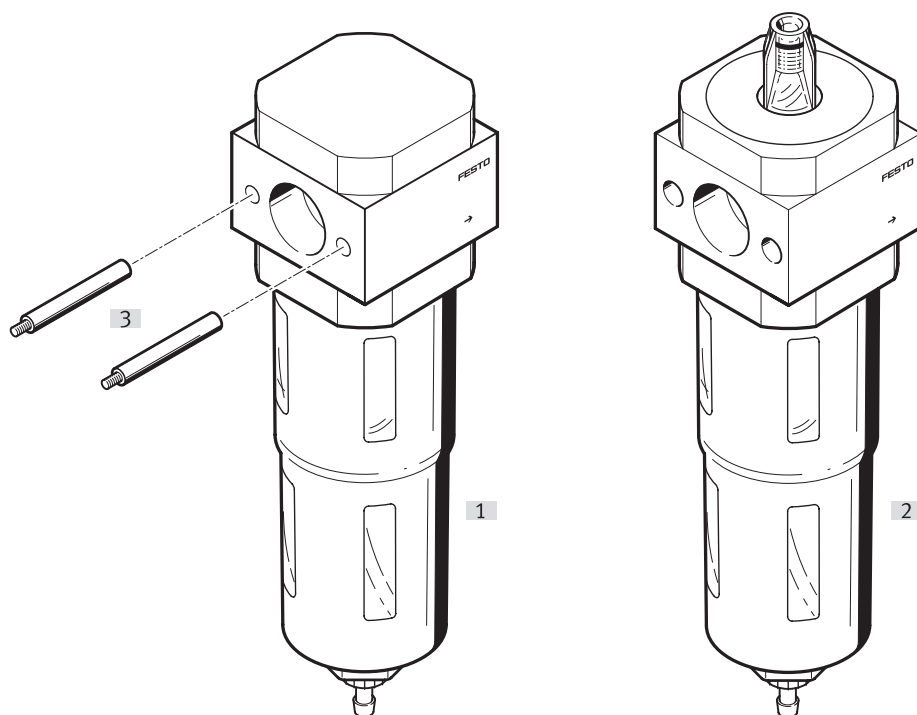
Peripherals overview – single unit with connecting plates



Accessories		→ Link
Type/order code	Description	
[1] Fine filter LFMB-D		lfmb-d
[2] Fine filter LFMB-D	With differential pressure display	lfmb-d
[3] Mounting bracket HFOE-D		12

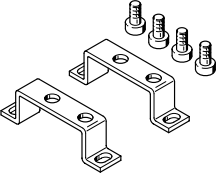
Peripherals

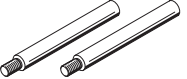
Peripherals overview – individual unit without connecting plates, for service unit component combination

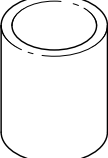


Accessories			→ Link
Type/order code	Description		
[1] Fine filter LFMB-D			lfmb-d
[2] Fine filter LFMB-D	With differential pressure display		lfmb-d
[3] Threaded bolt FRB-D	Included in the scope of delivery		12

Accessories

Mounting bracket MS4-WP...				
	Short type code	Corrosion resistance class CRC	Part no.	Type
	HFOE	2 - Moderate corrosion stress	159638	HFOE-D-MINI
			159593	HFOE-D-MIDI/MAXI

Mounting bracket MS4-WB				
	Short type code	Corrosion resistance class CRC	Part no.	Type
	FRB	2 - Moderate corrosion stress	159595	FRB-D-MIDI
			159643	FRB-D-MAXI
			159642	FRB-D-MINI

Fine-filter cartridges				
	Size	Grade of filtration	Part no.	Type
	Maxi	1 µm	162679	LFMBP-D-MAXI
	Midi		162678	LFMBP-D-MIDI
	Mini		162677	MS4/D-MINI-LFM-B