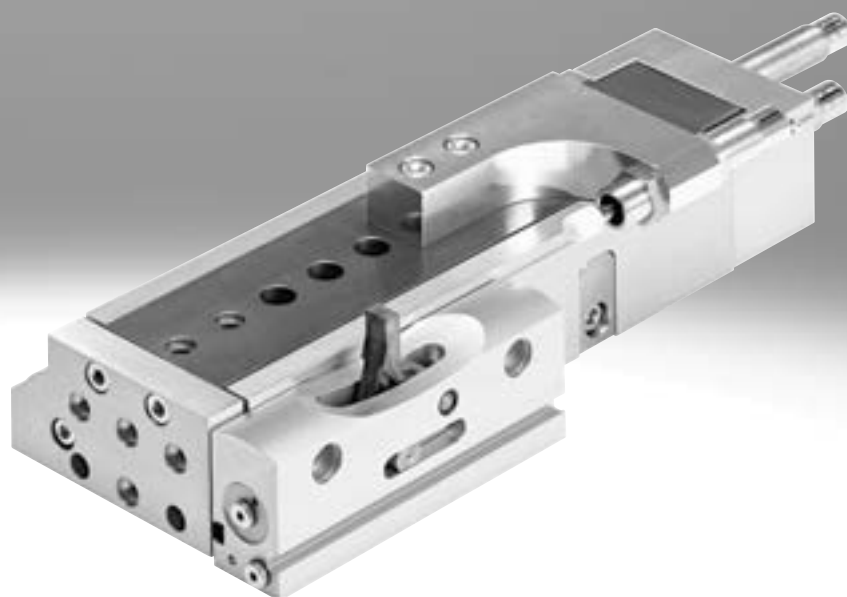


Intermediate-position module DADM-EP

FESTO



Key features

At a glance

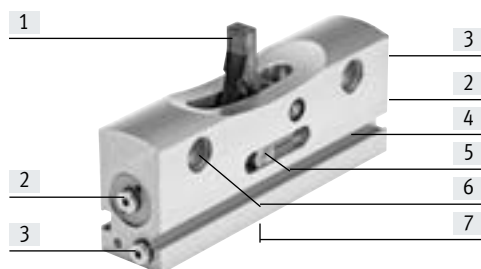
When used in combination with pneumatic drives, the intermediate-position module enables an additional position to be set within the stroke range. The module is attached separately, directly next to the mini slide. A shock absorber retain-er must be attached to the movable part of the drive (e.g. the slide) so that, when advancing, the shock absorber impacts on the stop lever of the intermediate-position module. The position can be precisely set with the help of the shock absorber.

Key features:

- Can be travelled through from the end position
- Possible to continue on directly from the intermediate position
- The symmetrical design means that the intermediate position can be approached when advancing or retracting, depending on the assembly
- Pneumatic connection possible from two ends
- Easy to assemble
- Position of the stop lever (swivelled in- or outwards) can be checked using the proximity switch

The technology in detail

- [1] Stop lever
- [2] Pneumatic connections for swivel-
ing the stop lever inwards
- [3] Pneumatic connections for swivel-
ing the stop lever outwards
- [4] Slot for proximity switch
- [5] Guide shoe
- [6] Mounting interface on the side
(2x)
- [7] Mounting interface underneath
(2x)

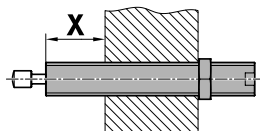


Note

In the unpressurised state, the guide shoe can be used as a manual over-ride for pivoting the stop lever.

Precision adjustment of the intermediate position

The position can be precisely adjusted via the screw-in depth of the shock absorber. The shock absorber must protrude by at least $X = 1.5 \text{ mm}$.

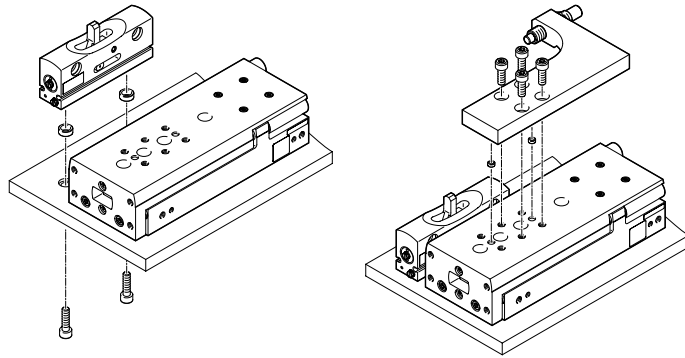


Datasheet

Assembly using the mini slide DGST as an example

The intermediate-position module is mounted directly next to the mini slide, using 2 screws and centring sleeves.

The shock absorber retainer is then attached to the slide of the mini slide using 4 screws and 2 centring sleeves.



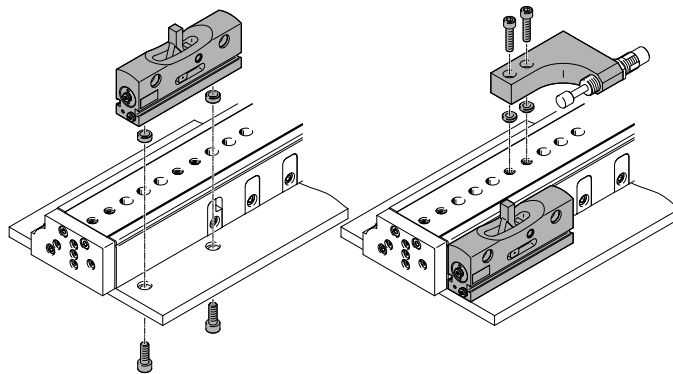
Allocation table for mini slide DGSL and intermediate-position module DADM-EP/shock absorber retainer DADP-ES

| Mini slide | Intermediate-position module | Shock absorber retainer |
|------------|------------------------------|-------------------------|
| DGST-12 | DADM-EP-G6-10 | DADP-ES-G8-12 |
| DGST-16 | | DADP-ES-G8-16 |
| DGST-20 | DADM-EP-G6-16 | DADP-ES-G8-20 |
| DGST-25 | | DADP-ES-G8-25 |

Assembly using the mini slide DGSL as an example

The intermediate-position module is mounted directly next to the mini slide, using 2 screws and centring sleeves.

The shock absorber retainer is then attached to the slide of the mini slide, likewise using 2 screws and centring sleeves.



Allocation table for mini slide DGSL and intermediate-position module DADM-EP/shock absorber retainer DADP-ES

| Mini slide | Intermediate-position module | Shock absorber retainer |
|------------|------------------------------|-------------------------|
| DGSL-12 | DADM-EP-G6-10 | DADP-ES-G6-12 |
| DGSL-16 | | DADP-ES-G6-16 |
| DGSL-20 | DADM-EP-G6-16 | DADP-ES-G6-20 |
| DGSL-25 | | DADP-ES-G6-25 |

Datasheet

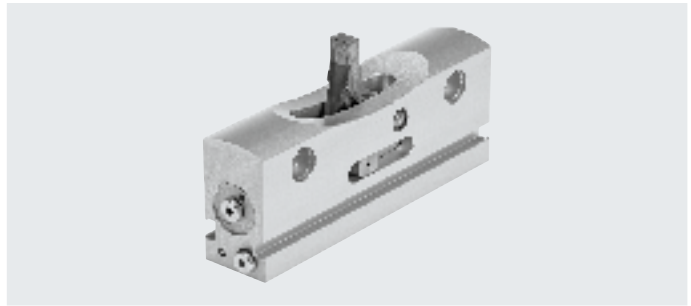
Intermediate-position module DADM-EP

Material:

Housing: Wrought aluminium alloy

Lever: High-alloy stainless steel

RoHS-compliant



| General technical data | | |
|------------------------|------------------------------|---------------|
| Type | DADM-EP-G6-10 | DADM-EP-G6-16 |
| Design | Force-guided motion sequence | |
| Pneumatic connection | M3 | M5 |
| Max. stop force | [N] 500 | 1100 |
| Max. impact velocity | [m/s] 0.8 | 0.8 |
| Max. swivel time | [ms] 150 | |
| Repetition accuracy | [mm] ±0.02 | |
| Mounting position | Any | |
| Position sensing | For proximity switch | |
| Product weight | [g] 154 | 340 |

| Operating and environmental conditions | | |
|--|--|--|
| Operating pressure | [bar] 3 ... 6 | |
| Operating medium | Compressed air to ISO 8573-1:2010 [7:-:-] | |
| Note on the operating/pilot medium | Lubricated operation possible (in which case lubricated operation will always be required) | |
| Ambient temperature | [°C] 0 ... +60 | |
| Corrosion resistance class CRC ¹⁾ | 1 | |

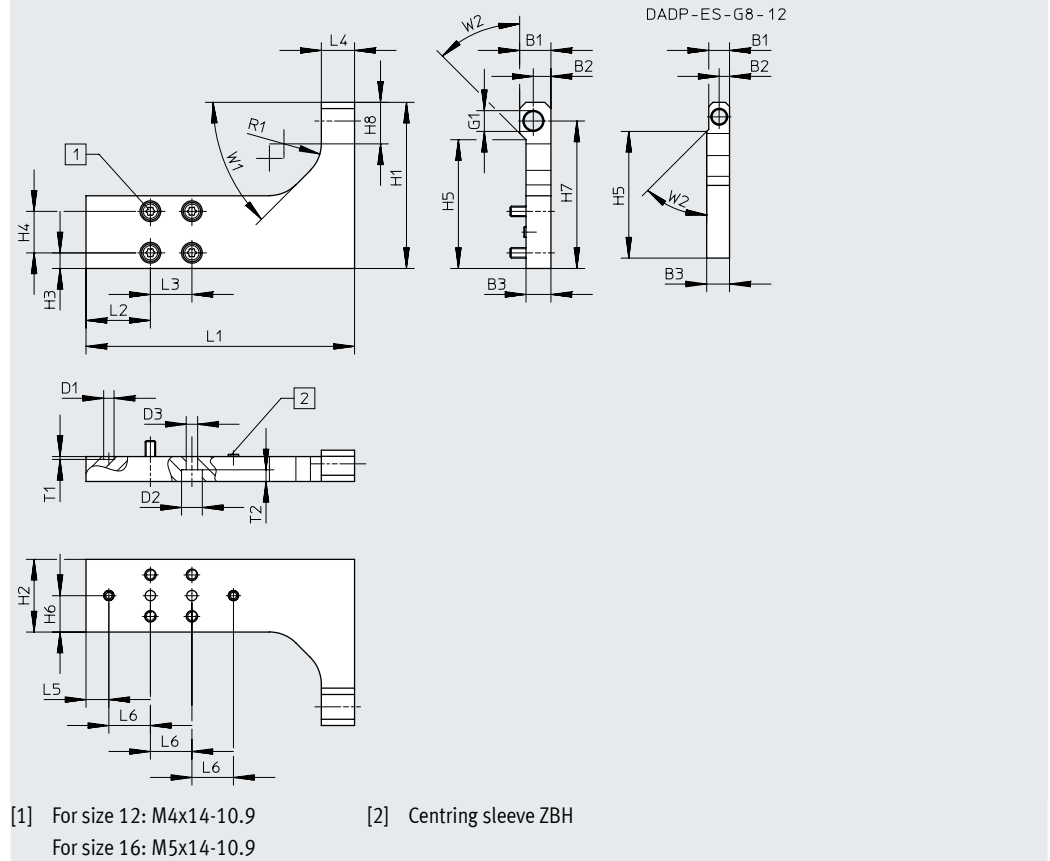
1) Corrosion resistance class CRC 1 to Festo standard FN 940070

Low corrosion stress. Dry internal application or transport and storage protection. Also applies to parts behind covers, in the non-visible interior area, or parts which are covered in the application (e.g. drive trunnions).

Accessories

**Shock absorber retainer
DADP-ES
for mini slide DGST**

Material:
Anodised wrought aluminium alloy
RoHS-compliant




Dimensions and ordering data

| Type | B1 | B2 | B3 | D1 ∅ | D2 ∅ | D3 ∅ | G1 | H1 | H2 | H3 | H4 | H5 | H6 | H7 | H8 | L1 | L2 | L3 |
|---------------|------|-----|----|---------|---------|---------|-------|----|----|-----|----|----|------|----|----|-------|----|----|
| DADP-ES-G8-12 | 10 | 5 | 11 | 5 | 8 | 4.5 | M8x1 | 75 | 35 | 7.5 | 20 | 61 | 17.5 | 68 | 15 | 119.9 | 25 | 20 |
| DADP-ES-G8-16 | 15.1 | 8.1 | 12 | 5 | 10 | 5.5 | M10x1 | 80 | 35 | 7.5 | 20 | 62 | 17.5 | 71 | 20 | 129.4 | 31 | 20 |

| Type | L4 | L5 | L6 | R1 | T1 | T2 | W1 | W2 | Max. stop force [N] | Weight [g] | Part no. | Type |
|---------------|----|----|----|----|------|-----|-----|-----|------------------------|---------------|----------|---------------|
| DADP-ES-G8-12 | 16 | 5 | 20 | 15 | 1.35 | 4.4 | 45° | 45° | 500 | 149 | 8159234 | DADP-ES-G8-12 |
| DADP-ES-G8-16 | 16 | 11 | 20 | 18 | 1.35 | 5.6 | 45° | 45° | 500 | 182 | 8159235 | DADP-ES-G8-16 |

Ordering data

| | For size | Description | Part no. | Type | PU ¹⁾ |
|--|----------|--|----------|---------|------------------|
| Centring sleeve ZBH | | | | | |
|  | 12, 16 | For centring the shock absorber retainer (2 pieces included in the scope of delivery of the shock absorber retainer) | 8146544 | ZBH-7-B | 10 |

Datasheets → Internet: zbh

1) Packaging unit

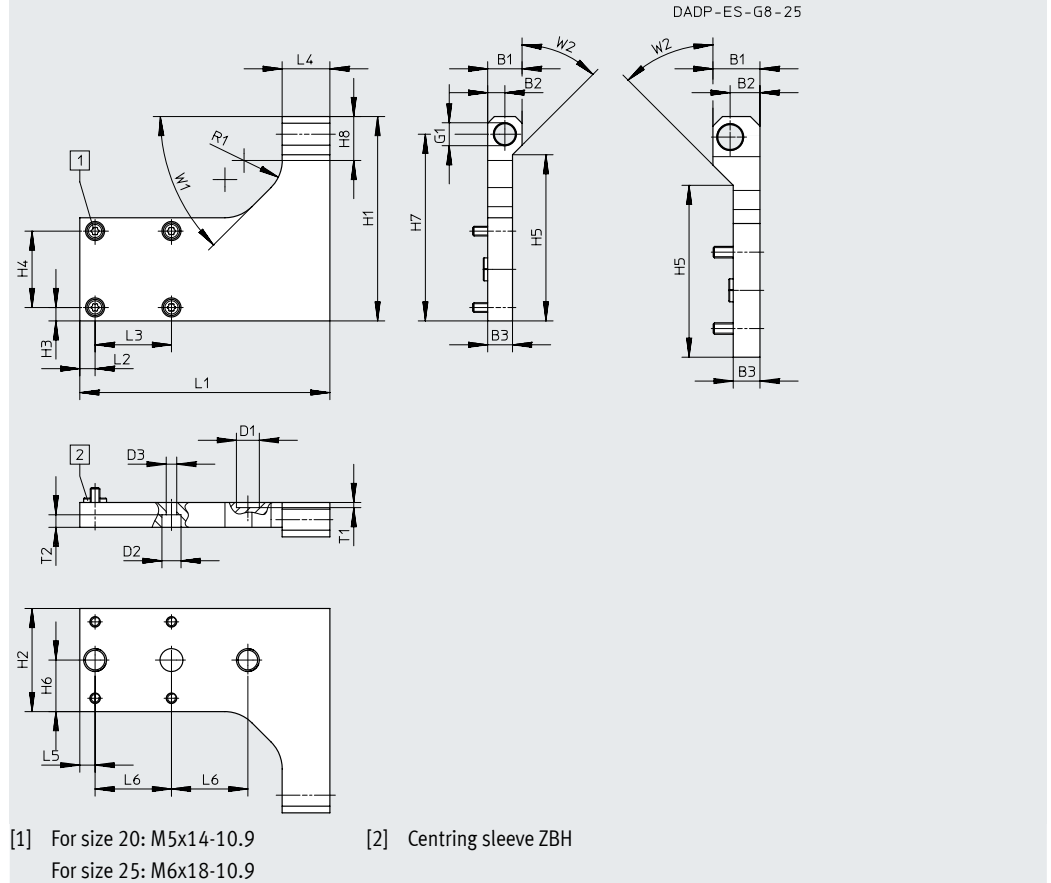
Note

- A shock absorber retainer DADP-ES is additionally required when using an intermediate-position module
- Operation without cushioning components is not permitted
- Cushioning components are not included in the scope of delivery
- The size of the shock absorbers for the mini slides and for the relevant shock absorber retainer are identical. Shock absorber selection → page 9
- The same cushioning component is used for cushioning the intermediate position as for the end positions of the mini slide DGST

Accessories

**Shock absorber retainer
DADP-ES
for mini slide DGST**

Material:
Anodised wrought aluminium alloy
RoHS-compliant




Dimensions and ordering data

| Type | B1 | B2 | B3 | D1 ∅ | D2 ∅ | D3 ∅ | G1 | H1 | H2 | H3 | H4 | H5 | H6 | H7 | H8 | L1 | L2 | L3 |
|---------------|------|------|----|---------|---------|---------|-------|-----|----|----|----|----|----|-------|----|-------|------|----|
| DADP-ES-G8-20 | 18 | 8 | 13 | 12 | 10 | 5.5 | M12x1 | 107 | 54 | 7 | 40 | 87 | 27 | 97.8 | 23 | 131 | 8 | 40 |
| DADP-ES-G8-25 | 24.6 | 15.6 | 14 | 12 | 11 | 6.6 | M14x1 | 126 | 70 | 15 | 40 | 90 | 35 | 115.3 | 21 | 150.5 | 10.5 | 40 |

| Type | L4 | L5 | L6 | R1 | T1 | T2 | W1 | W2 | Max. stop force [N] | Weight [g] | Part no. | Type |
|---------------|----|------|----|----|---------------|-----|-----|-----|------------------------|---------------|----------|---------------|
| DADP-ES-G8-20 | 25 | 8 | 40 | 20 | ±0.05 2.65 | 6.6 | 45° | 45° | 1100 | 305 | 8159236 | DADP-ES-G8-20 |
| DADP-ES-G8-25 | 32 | 10.5 | 40 | 25 | ±0.05 2.65 | 6.4 | 45° | 45° | 1100 | 503 | 8159237 | DADP-ES-G8-25 |

Ordering data

| | For size | Description | Part no. | Type | PU ¹⁾ |
|---|----------|--|----------|----------|------------------|
|  | 20, 25 | For centring the shock absorber retainer (2 pieces included in the scope of delivery of the shock absorber retainer) | 548806 | ZBV-12-9 | 10 |

Datasheets → Internet: zbv

1) Packaging unit

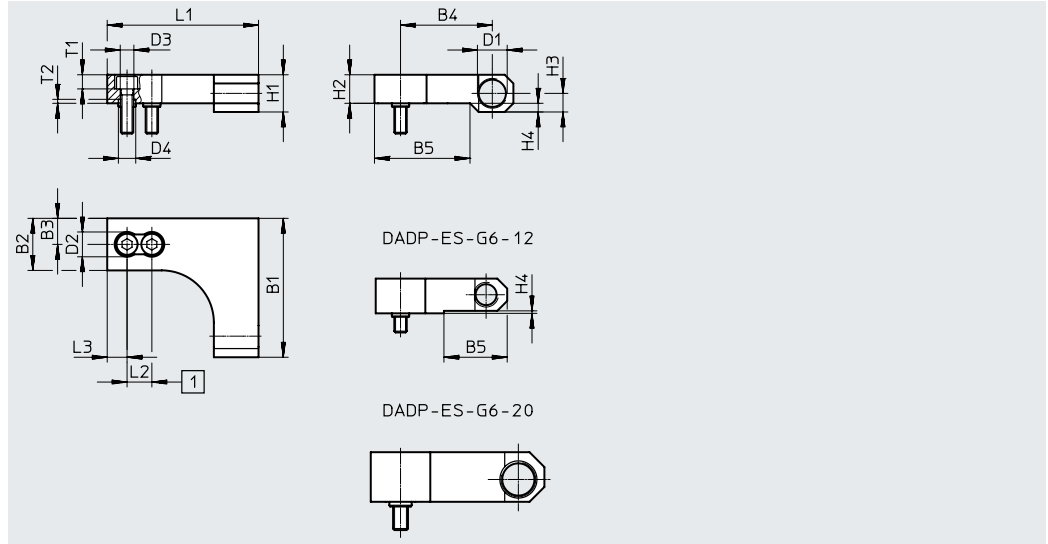
Note

- A shock absorber retainer DADP-ES is additionally required when using an intermediate-position module
- Operation without cushioning components is not permitted
- Cushioning components are not included in the scope of delivery
- The size of the shock absorbers for the mini slides and for the relevant shock absorber retainer are identical.
Shock absorber selection → page 9
- The same cushioning component is used for cushioning the intermediate position as for the end positions of the mini slide DGST

Accessories

**Shock absorber retainer
DADP-ES
for mini slide DGSL**

Material:
Anodised wrought aluminium alloy
RoHS-compliant





Dimensions and ordering data

| Type | B1 | B2 | B3 | B4 | B5 | D1 | D2 ∅ | D3 ∅ | D4 ∅ H7 | H1 | H2 | H3 | H4 |
|---------------|----|----|------|------|------|-------|---------|---------|---------------|----|------|-----|-----|
| DADP-ES-G6-12 | 53 | 20 | 10 | 34.5 | 25.5 | M10x1 | 10 | 5.5 | 7 | 13 | 14 | 6.5 | 1 |
| DADP-ES-G6-16 | 56 | 21 | 10.5 | 37 | 39.2 | M12x1 | 10 | 5.5 | 7 | 15 | 12.2 | 7.5 | 2.8 |
| DADP-ES-G6-20 | 70 | 24 | 12 | 47.5 | – | M14x1 | 11 | 6.6 | 12 | 20 | 20 | 9 | – |
| DADP-ES-G6-25 | 80 | 30 | 15 | 54.5 | 58 | M16x1 | 11 | 6.6 | 12 | 25 | 14 | 10 | 11 |

| Type | L1 | L2 | L3 | T1 | T2 | Max. stop force [N] | Weight [g] | Part no. | Type |
|---------------|----|----|----|-----|-----|------------------------|---------------|----------|---------------|
| DADP-ES-G6-12 | 65 | 10 | 10 | 5.7 | 1.6 | 500 | 80 | 1812471 | DADP-ES-G6-12 |
| DADP-ES-G6-16 | 61 | 10 | 8 | 5.7 | 1.6 | 500 | 70 | 1812472 | DADP-ES-G6-16 |
| DADP-ES-G6-20 | 85 | 20 | 10 | 6.4 | 2.6 | 1100 | 185 | 1812473 | DADP-ES-G6-20 |
| DADP-ES-G6-25 | 80 | 20 | 10 | 6.8 | 2.6 | 1100 | 160 | 1812550 | DADP-ES-G6-25 |

Ordering data

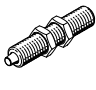




| | For size | Description | Part no. | Type | PU ¹⁾ |
|---|----------|--|----------|----------|------------------|
| Centring sleeve ZBH Datasheets → Internet: zbh | | | | | |
|  | 12, 16 | For centring the shock absorber retainer (2 pieces included in the scope of delivery of the shock absorber retainer) | 8146544 | ZBH-7-B | 10 |
| Connector sleeve ZBV Datasheets → Internet: zbv | | | | | |
|  | 20, 25 | For centring the shock absorber retainer (2 pieces included in the scope of delivery of the shock absorber retainer) | 548806 | ZBV-12-9 | 10 |

1) Packaging unit

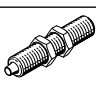
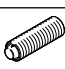
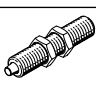
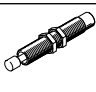
Note

- A shock absorber retainer DADP-ES is additionally required when using an intermediate-position module
- Operation without cushioning components is not permitted
- Cushioning components are not included in the scope of delivery
- The size of the shock absorbers for the mini slides and for the relevant shock absorber retainer are identical.
Shock absorber selection → page 9
- The same cushioning component is used for cushioning the intermediate position as for the end positions of the mini slide DGSL

Accessories

| Ordering data for DGSL | | | | | | | |
|--|----------|-----------------------------|--|------------|----------|----------------|------------------|
| | For size | For shock absorber retainer | Description | Order code | Part no. | Type | PJ ¹⁾ |
| Shock absorber DYEF-...-Y1 Datasheets → Internet: dyef | | | | | | | |
|  | DGSL-12 | DADP-ES-G6-12 | Elastic cushioning, without metal stop | P | 1179837 | DYEF-M10-Y1 | 1 |
| | DGSL-16 | DADP-ES-G6-16 | | | 1179840 | DYEF-M12-Y1 | |
| | DGSL-20 | DADP-ES-G6-20 | | | 1179863 | DYEF-M14-Y1 | |
| | DGSL-25 | DADP-ES-G6-25 | | | 1179879 | DYEF-M16-Y1 | |
| Shock absorber DYEF-S-...-Y1 Datasheets → Internet: dyef | | | | | | | |
|  | DGSL-12 | DADP-ES-G6-12 | Elastic cushioning, without metal stop, short design | E | 1152959 | DYEF-S-M10-Y1 | 1 |
| | DGSL-16 | DADP-ES-G6-16 | | | 1153004 | DYEF-S-M12-Y1 | |
| | DGSL-20 | DADP-ES-G6-20 | | | 1153017 | DYEF-S-M14-Y1 | |
| | DGSL-25 | DADP-ES-G6-25 | | | 1153023 | DYEF-S-M16-Y1 | |
| Shock absorber DYEF-...-Y1F Datasheets → Internet: dyef | | | | | | | |
|  | DGSL-12 | DADP-ES-G6-12 | Elastic cushioning, with metal stop | P1 | 548374 | DYEF-M10-Y1F | 1 |
| | DGSL-16 | DADP-ES-G6-16 | | | 548375 | DYEF-M12-Y1F | |
| | DGSL-20 | DADP-ES-G6-20 | | | 548376 | DYEF-M14-Y1F | |
| | DGSL-25 | DADP-ES-G6-25 | | | 548377 | DYEF-M16-Y1F | |
| Shock absorber DYSW Datasheets → Internet: dysw | | | | | | | |
|  | DGSL-12 | DADP-ES-G6-12 | Progressive shock absorber at both ends | Y3 | 548072 | DYSW-7-10-Y1F | 1 |
| | DGSL-16 | DADP-ES-G6-16 | | | 548073 | DYSW-8-14-Y1F | |
| | DGSL-20 | DADP-ES-G6-20 | | | 548074 | DYSW-10-17-Y1F | |
| | DGSL-25 | DADP-ES-G6-25 | | | 548075 | DYSW-12-20-Y1F | |
| Reducing sleeve DAYH | | | | | | | |
|  | DGSL-12 | DADP-ES-G6-12 | For DYSW-5-8 | - | 1165480 | DAYH-5 | 1 |
| | DGSL-16 | DADP-ES-G6-16 | For DYSW-7-10 | | 1165484 | DAYH-7 | |
| | DGSL-20 | DADP-ES-G6-20 | For DYSW-8-14 | | 1165488 | DAYH-8 | |
| | DGSL-25 | DADP-ES-G6-25 | For DYSW-10-17 | | 1165491 | DAYH-10 | |

1) Packaging unit

| Ordering data for DGST | | | | | | | |
|--|----------|-----------------------------|--|------------|----------|----------------|------------------|
| | For size | For shock absorber retainer | Description | Order code | Part no. | Type | PJ ¹⁾ |
| Shock absorber DYEF-...-Y1 Datasheets → Internet: dyef | | | | | | | |
|  | DGST-12 | DADP-ES-G8-12 | Elastic cushioning, without metal stop | P | 1179834 | DYEF-M8-Y1 | 1 |
| | DGST-16 | DADP-ES-G8-16 | | | 1179837 | DYEF-M10-Y1 | |
| | DGST-20 | DADP-ES-G8-20 | | | 1179840 | DYEF-M12-Y1 | |
| | DGST-25 | DADP-ES-G8-25 | | | 1179863 | DYEF-M14-Y1 | |
| Shock absorber DYEF-S-...-Y1 Datasheets → Internet: dyef | | | | | | | |
|  | DGST-12 | DADP-ES-G8-12 | Elastic cushioning, without metal stop, short design | E | 1152536 | DYEF-S-M8-Y1 | 1 |
| | DGST-16 | DADP-ES-G8-16 | | | 1152959 | DYEF-S-M10-Y1 | |
| | DGST-20 | DADP-ES-G8-20 | | | 1153004 | DYEF-S-M12-Y1 | |
| | DGST-25 | DADP-ES-G8-25 | | | 1153017 | DYEF-S-M14-Y1 | |
| Shock absorber DYEF-...-Y1F Datasheets → Internet: dyef | | | | | | | |
|  | DGST-12 | DADP-ES-G8-12 | Elastic cushioning, with metal stop | P1 | 548373 | DYEF-M8-Y1F | 1 |
| | DGST-16 | DADP-ES-G8-16 | | | 548374 | DYEF-M10-Y1F | |
| Shock absorber DYSS Datasheets → Internet: dyss | | | | | | | |
|  | DGST-12 | DADP-ES-G8-12 | Progressive shock absorber at both ends | Y12 | 8081770 | DYSS-5-5-Y1F | 1 |
| | DGST-16 | DADP-ES-G8-16 | | | 8069001 | DYSS-7-5-Y1F | |
| | DGST-20 | DADP-ES-G8-20 | | | 8069002 | DYSS-8-8-Y1F | |
| | DGST-25 | DADP-ES-G8-25 | | | 8069003 | DYSS-10-10-Y1F | |

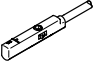
1) Packaging unit

Accessories

Proximity switch for DADM-EP-G6-10

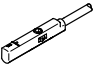
Ordering data – Proximity switches for C-slot, magneto-resistive

Datasheets → Internet: smt

| | Type of mounting | Switching output | Electrical connection, outlet direction of connection | Cable length [m] | Part no. | Type |
|--|---------------------------------|------------------|---|------------------|----------|----------------------------|
| N/O | | | | | | |
|  | Inserted in the slot from above | PNP | Cable, 3-wire, lengthwise | 2.5 | 551373 | SMT-10M-PS-24V-E-2.5-L-OE |
| | | | Plug M8x1, 3-pin, in-line | 0.3 | 551375 | SMT-10M-PS-24V-E-0.3-L-M8D |
| | | | Plug M8x1, 3-pin, crosswise | 0.3 | 551376 | SMT-10M-PS-24V-E-0.3-Q-M8D |

Ordering data – Proximity switch for C-slot, magnetic reed

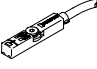
Datasheets → Internet: sme

| | Type of mounting | Switching output | Electrical connection, outlet direction of connection | Cable length [m] | Part no. | Type |
|--|---------------------------------|------------------|---|------------------|----------|----------------------------|
| N/O | | | | | | |
|  | Inserted in the slot from above | Contacting | Plug M8x1, 3-pin, in-line | 0.3 | 551367 | SME-10M-DS-24V-E-0.3-L-M8D |
| | | | Cable, 3-wire, lengthwise | 2.5 | 551365 | SME-10M-DS-24V-E-2.5-L-OE |
| | | | Cable, 2-wire, lengthwise | 2.5 | 551369 | SME-10M-ZS-24V-E-2.5-L-OE |

Proximity switch for DADM-EP-G6-16

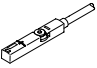
Ordering data – Proximity switch for T-slot, magneto-resistive

Datasheets → Internet: smt

| | Type of mounting | Switching output | Electrical connection | Cable length [m] | Part no. | Type |
|---|--|------------------|-----------------------|------------------|----------|---------------------------|
| N/O | | | | | | |
|  | Inserted in the slot from above, flush with the cylinder profile, short design | PNP | Cable, 3-wire | 2.5 | 574335 | SMT-8M-A-PS-24V-E-2.5-OE |
| | | | Plug M8x1, 3-pin | 0.3 | 574334 | SMT-8M-A-PS-24V-E-0.3-M8D |
| | | | Plug M12x1, 3-pin | 0.3 | 574337 | SMT-8M-A-PS-24V-E-0.3-M12 |
| | | NPN | Cable, 3-wire | 2.5 | 574338 | SMT-8M-A-NS-24V-E-2.5-OE |
| | | | Plug M8x1, 3-pin | 0.3 | 574339 | SMT-8M-A-NS-24V-E-0.3-M8D |



Ordering data – Proximity switch for T-slot, magnetic reed

Datasheets → Internet: sme

| | Type of mounting | Switching output | Electrical connection | Cable length [m] | Part no. | Type |
|--|--|------------------|-----------------------|------------------|----------|-------------------------|
| N/O | | | | | | |
|  | Inserted in the slot from above, flush with the cylinder profile | Contacting | Cable, 3-wire | 2.5 | 543862 | SME-8M-DS-24V-K-2.5-OE |
| | | | | 5.0 | 543863 | SME-8M-DS-24V-K-5.0-OE |
| | | | Cable, 2-wire | 2.5 | 543872 | SME-8M-ZS-24V-K-2.5-OE |
| | | | Plug M8x1, 3-pin | 0.3 | 543861 | SME-8M-DS-24V-K-0.3-M8D |

Ordering data – Connecting cables

Datasheets → Internet: nebu

| | Electrical connection, left | Electrical connection, right | Cable length [m] | Part no. | Type |
|--|------------------------------|------------------------------|------------------|----------|---------------------|
|  | Straight socket, M8x1, 3-pin | Cable, open end, 3-wire | 2.5 | 541333 | NEBU-M8G3-K-2.5-LE3 |
| | | | 5 | 541334 | NEBU-M8G3-K-5-LE3 |
|  | Angled socket, M8x1, 3-pin | Cable, open end, 3-wire | 2.5 | 541338 | NEBU-M8W3-K-2.5-LE3 |
| | | | 5 | 541341 | NEBU-M8W3-K-5-LE3 |