

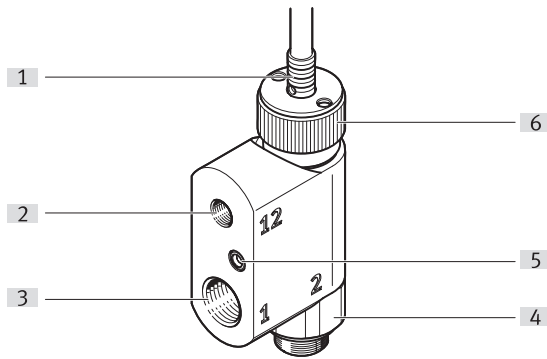
Shut-off valve VBOC

FESTO



Characteristics

At a glance



- [1] Sensor LED, incl. cable connection
- [2] Pneumatic port 12, pilot air
- [3] Pneumatic port 1, compressed air supply
- [4] Pneumatic port 2, drive
- [5] Exhaust function (non-detenting)
- [6] Manual override

Diagrams

[Link](#) [vdoc](#)



The diagrams shown in this document are also available online. These can be used to display precise values.

Valve function

The valve VBOC is a pneumatically actuated shut-off valve (2/2-way valve, normally closed) for direct mounting on a pneumatic actuator. The component can be used as a safety sub-function SSC (Safe Stopping and Closing) in accordance with VDMA 24584. The integrated switching position monitoring (closed) provides a diagnostic function.

Additional function 2

The valve is available in 4 variants, in the basic function or with optional additional functions.

[] None



- Basic valve: 2/2-way shut-off valve, pneumatically controlled
- Diagnostic function, integrated switching position monitoring

[S7] Exhaust function, manual



- Basic valve, additionally with manual override and exhaust function (non-detenting)

To enable port 2 to be exhausted, the shut-off valve must be unlocked using the manual override.

The exhaust function can only be ensured if there is no pressure at port 1.

Type code

001	Series	
VBOC	Shut-off valve	
002	Design	
L	L-shape	
003	Valve function	
2	2/2-way	
005	Additional function 2	
	None	
S7	Exhaust function, manual	

006	Switching input/output	
P	PNP	
007	Electrical connection	
M12	Plug M12, A-coded, to EN 61076-2-101	
M8	M8 plug, A-coded, to EN 61076-2-104	
008	Pneumatic connection 1	
E	Same size as pneumatic connection 2	
009	Pneumatic connection 2	
G18	G1/8	
G14	G1/4	
G38	G3/8	
G12	G1/2	

Datasheet

General technical data

Pneumatic connection, port 1	G1/8	G1/4	G3/8	G1/2
Pneumatic connection, port 2	G1/8	G1/4	G3/8	G1/2
Pilot air port 12	G1/8			
Valve function	2/2-way, closed, monostable			
Manual exhaust function	Non-detenting			
Manual override	Detenting			
Selection of additional function 2	Manually exhausted			
Pilot air supply	External			
Type of actuation	Pneumatic			
Type of reset	Mechanical spring			
Mounting position	Optional			
Type of seal on screwed plug	Sealing ring			
Rotatability	360°/no continuous swivelling permissible			
Reverse polarity protection sensor	For all electrical connections			
Note on forced dynamization	Current information on this topic can be found in Technical Report V			

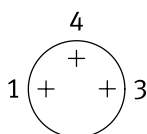
Switching output

Pneumatic connection, port 1	G1/8	G1/4	G3/8	G1/2
Switching output	PNP			
Switching element function	N/O contact			
Switching position sensing	Normal position via sensor			
Switching time off	15 ms	25 ms		34 ms
Switching time on	8 ms	14 ms	10 ms	11 ms

Electrical data

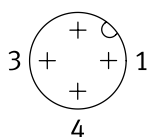
Electrical connection 1, connector system	M12x1, A-coded to EN 61076-2-101	M8x1, A-coded, to EN 61076-2-104		
Electrical connection 1, number of connections/cores	4	3		
Electrical connection 1, used connections/cores	3			
Measuring principle	Inductive			
Nominal operating voltage DC	24 V			
Operating voltage range, DC sensor	10 ... 30 V			
Short-circuit strength sensor	Yes			
Idle current sensor	≤10 mA			
Max. output current sensor	200 mA			
Voltage drop sensor	≤3 V			
Electrical connection 1, function	Switching output			
Electrical connection 1, connection type	Cable with plug			
Cable length	0.3 m			

Plug pattern – M8x1 A-coded according to EN 61076-2-104



Datasheet

Plug pattern – M12x1 A-coded according to EN 61076-2-101



Flow values without additional function one-way flow control valve exhaust air

Pneumatic connection, port 1	G1/8	G1/4	G3/8	G1/2
Nominal flow rate standardised according to ISO 8778	290 l/min	600 l/min	1,000 l/min	1,470 l/min
Nominal flow rate 2->1 normalised according to ISO 8778	330 l/min	700 l/min	1,090 l/min	1,560 l/min

Operating and environmental conditions

Pneumatic connection, port 1	G1/8	G1/4	G3/8	G1/2
Operating pressure	0.05 ... 1 MPa			
Operating pressure	0.5 ... 10 bar			
Operating pressure	7.25 ... 145 psi			
Switch-on pressure	0.15 ... 0.4 MPa			
Switch-off pressure	0.05 ... 0.2 MPa			
Pilot pressure	0.2 ... 1 MPa	0.1 ... 1 MPa		
Pilot pressure	2 ... 10 bar	1 ... 10 bar		
Pilot pressure	29 ... 145 psi	14.5 ... 145 psi		
Pressure peak at port 2	–			
Pneumatic off range	0.04 MPa			
Operating medium	Compressed air to ISO 8573-1:2010 [7:4:4]			
Pilot medium	Compressed air to ISO 8573-1:2010 [7:4:4]			
Note on operating and pilot medium	Lubricated operation possible (in which case lubricated operation will always be required)			
Ambient temperature	-5 ... 60°C			
Media temperature	-5 ... 60°C			
Corrosion resistance class CRC ¹⁾	2 - Moderate corrosion stress			
CE mark (see declaration of conformity)	To EU EMC Directive In accordance with EU RoHS Directive			
CE marking (see declaration of conformity)	To UK instructions for EMC To UK RoHS instructions			

1) More information: www.festo.com/x/topic/crc

Mechanical system

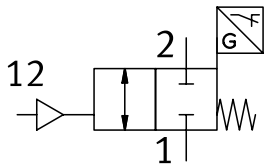
Pneumatic connection, port 1	G1/8	G1/4	G3/8	G1/2
Type of mounting	Screw-in, Via male thread			
Nominal torque	6 Nm	10 Nm	13 Nm	23 Nm
Tolerance for nominal tightening torque	± 20%			
Permissible actuation moment, regulating screw	0.5 Nm	1.5 Nm	2 Nm	

Datasheet

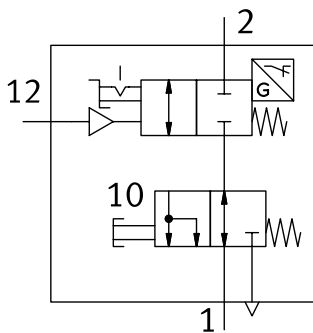
Materials

Material seals	HNBR NBR TPE-U(PU)
Material hollow bolt	Wrought aluminium alloy
Material cable sheath	PVC
Knurled nut material	Wrought aluminium alloy
Material adjusting screw	Stainless steel
Material swivel fitting	Wrought aluminium alloy
Material sensor bracket	Stainless steel
Locking nut material	Stainless steel
Note on materials	RoHS-compliant
LABS (PWIS) conformity	VDMA24364 zone III
Special characteristics	Resistant to welding spatter
Suitability for the production of Li-ion batteries	Metals with more than 1% by mass of copper, zinc or nickel are excluded from use. The exceptions are nickel in steel, chemically nickel-plated surfaces, circuit boards, cables, electrical plug connectors and coils, Metals with more than 1% by mass of copper, zinc or nickel are excluded from use. Exceptions are nickel in steel, chemically nickel-plated surfaces, printed circuit boards, cables, electrical plug connectors and coils

Function – Basic valve: shut-off valve with diagnostic function (switching position sensing)

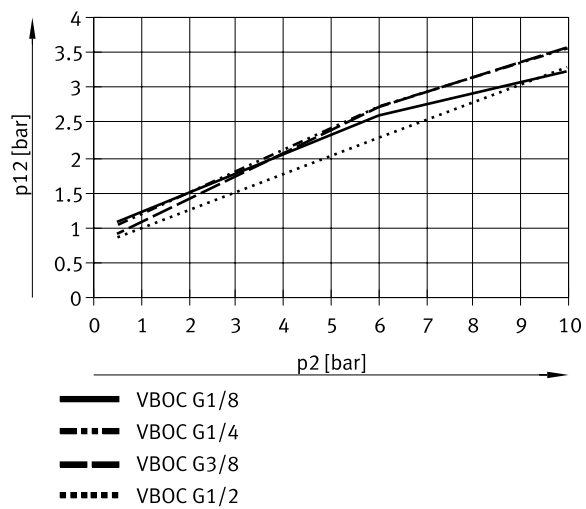


Function – Basic valve with manual exhaust function

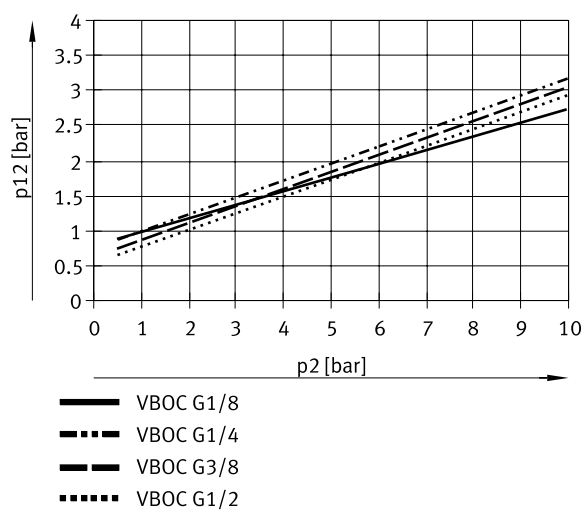


Datasheet

Switch-on pilot pressure p12 as a function of operating pressure p2



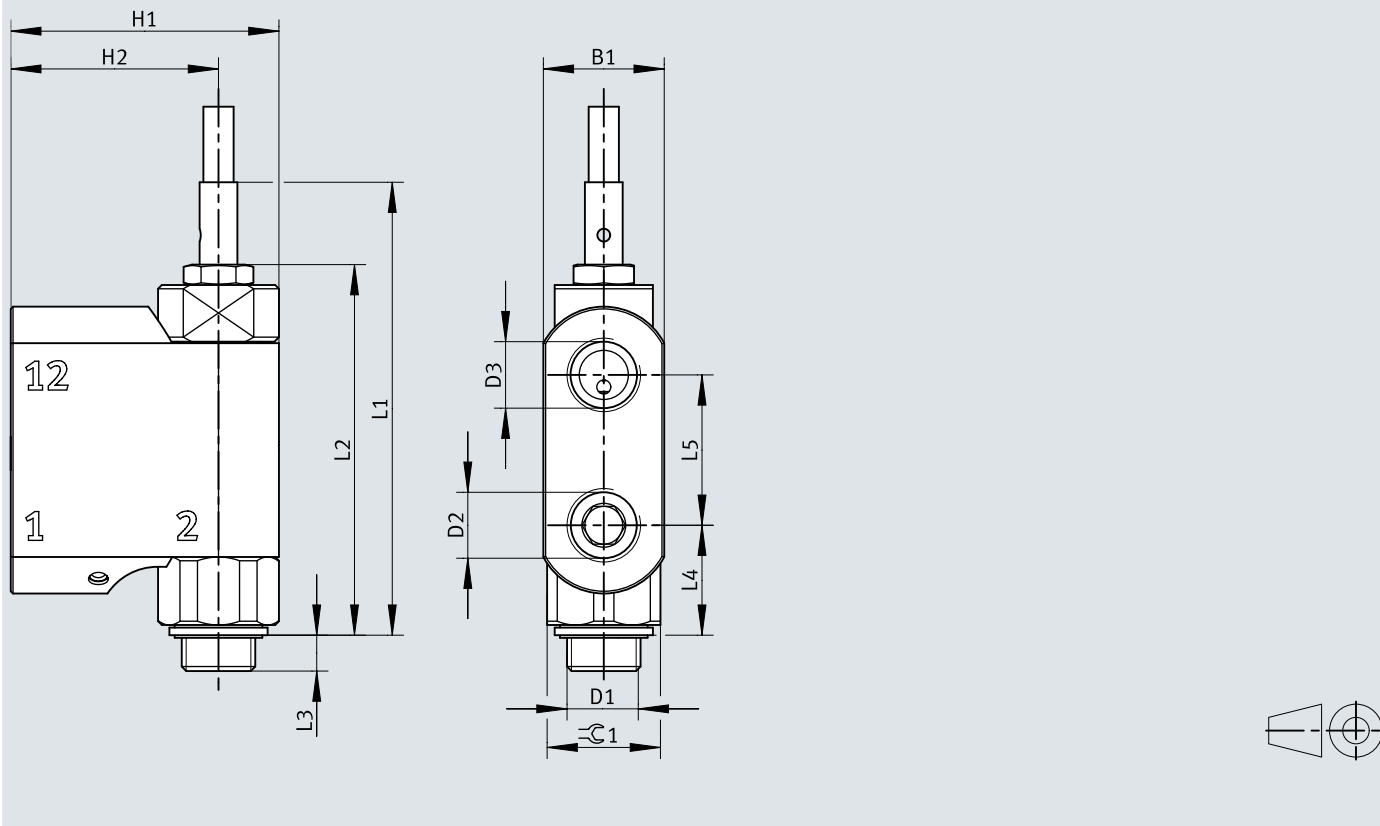
Switch-off pilot pressure p12 as a function of operating pressure p2



Dimensions

Dimensions – VBOC-L2-...-P-M...-G...-E

Download CAD data www.festo.com

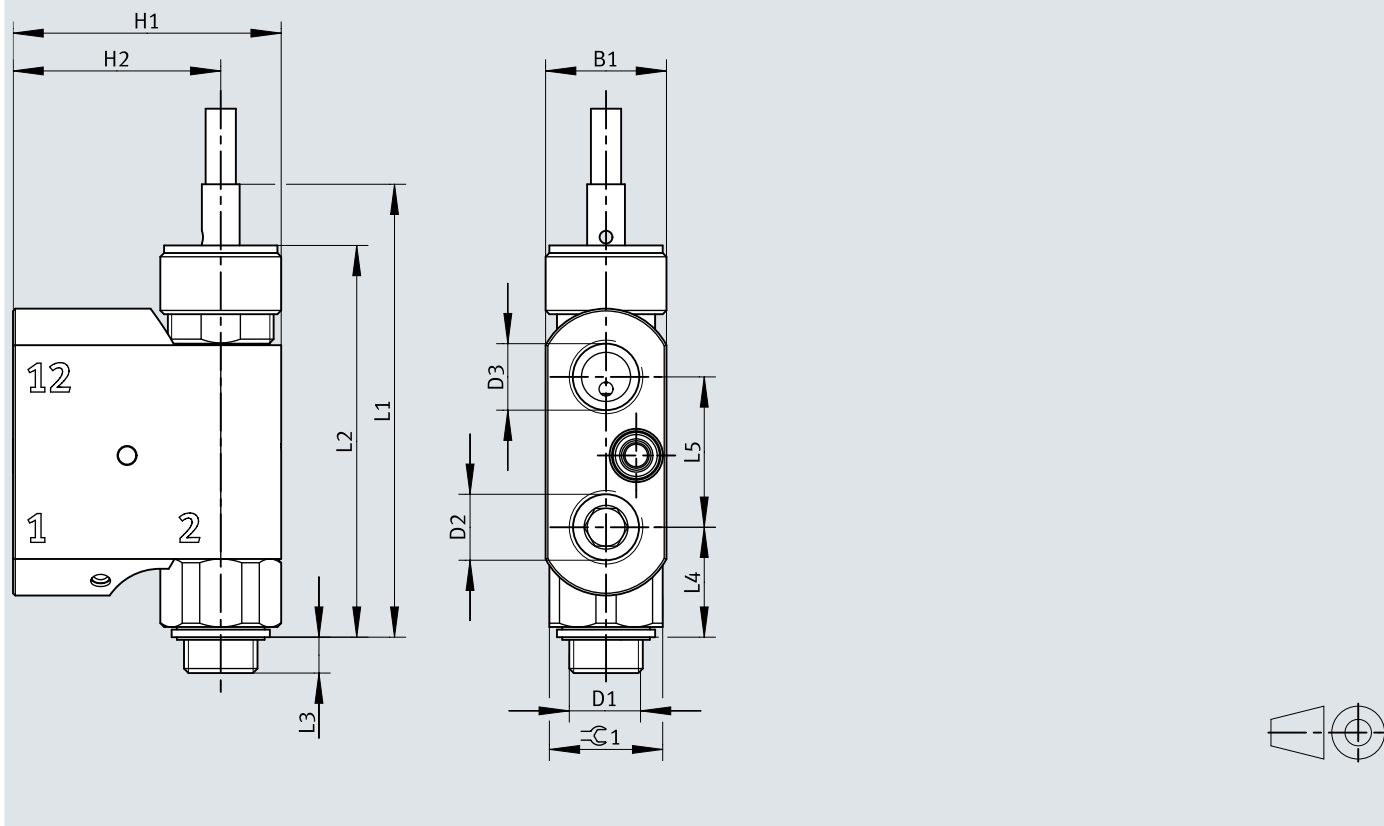


	B1	D1	D2	D3	H1	H2	L1	L2	L3	L4	L5	≙C 1
VBOC-L2-P-M8-G18-E	16	G1/8	G1/8	G1/8	28,5	20,5	60	49,1	4,8	14,6	19,9	15
VBOC-L2-P-M12-G18-E	16	G1/8	G1/8	G1/8	28,5	20,5	60	49,1	4,8	14,6	19,9	15
VBOC-L2-P-M8-G14-E	20	G1/4	G1/4	G1/8	39	29	69,2	57,3	5,2	16,9	24	18
VBOC-L2-P-M12-G14-E	20	G1/4	G1/4	G1/8	39	29	69,2	57,3	5,2	16,9	24	18
VBOC-L2-P-M8-G38-E	24	G3/8	G3/8	G1/8	53	30	82,7	70,8	6,2	23,4	31	22
VBOC-L2-P-M12-G38-E	24	G3/8	G3/8	G1/8	53	30	82,7	70,8	6,2	23,4	31	22
VBOC-L2-P-M8-G12-E	30	G1/2	G1/2	G1/8	52	37	90,7	78,8	7,2	24,4	34	28
VBOC-L2-P-M12-G12-E	30	G1/2	G1/2	G1/8	52	37	90,7	78,8	7,2	24,4	34	28

Dimensions

Dimensions – VBOC-L2-...-S7-P-M...-G...-E


Download CAD data www.festo.com




	B1	D1	D2	D3	H1	H2	L1	L2	L3	L4	L5	⊙ 1
VBOC-L2-S7-P-M8-G18-E	16	G1/8	G1/8	G1/8	35,5	27,5	60	51,9	4,8	14,6	19,9	15
VBOC-L2-S7-P-M12-G18-E	16	G1/8	G1/8	G1/8	35,5	27,5	60	51,9	4,8	14,6	19,9	15
VBOC-L2-S7-P-M8-G14-E	22	G1/4	G1/4	G1/8	40	29	69,2	61,1	5,2	16,9	24	18
VBOC-L2-S7-P-M12-G14-E	22	G1/4	G1/4	G1/8	40	29	69,2	61,1	5,2	16,9	24	18
VBOC-L2-S7-P-M8-G38-E	26	G3/8	G3/8	G1/8	43	30	82,7	74,6	6,2	23,4	31	22
VBOC-L2-S7-P-M12-G38-E	26	G3/8	G3/8	G1/8	43	30	82,7	74,6	6,2	23,4	31	22
VBOC-L2-S7-P-M8-G12-E	32	G1/2	G1/2	G1/8	53	37	90,7	82,6	7,2	24,4	34	28
VBOC-L2-S7-P-M12-G12-E	32	G1/2	G1/2	G1/8	53	37	90,7	82,6	7,2	24,4	34	28

Ordering data

Ordering data – Basic valve: shut-off valve with diagnostic function (switching position sensing)

	Pneumatic connection, port 1	Pneumatic connection, port 2	Electrical connection 1, number of connections/cores	Product weight	Part no.	Type
	G1/8	G1/8	3	46.7 g	8177462	VBOC-L2-P-M8-G18-E
			4	53.7 g	8177451	VBOC-L2-P-M12-G18-E
	G1/4	G1/4	3	87.1 g	8177464	VBOC-L2-P-M8-G14-E
			4	94.1 g	8177452	VBOC-L2-P-M12-G14-E
	G3/8	G3/8	3	133.1 g	8177470	VBOC-L2-P-M8-G38-E
			4		8177453	VBOC-L2-P-M12-G38-E
	G1/2	G1/2	3	238.5 g	8177468	VBOC-L2-P-M8-G12-E
			4	145.5 g	8177454	VBOC-L2-P-M12-G12-E

Function – basic valve with manual exhaust function

	Pneumatic connection, port 1	Pneumatic connection, port 2	Electrical connection 1, number of connections/cores	Product weight	Part no.	Type
	G1/8	G1/8	3	57.1 g	8179237	VBOC-L2-S7-P-M8-G18-E
			4	64.1 g	8181754	VBOC-L2-S7-P-M12-G18-E
	G1/4	G1/4	3	97 g	8180683	VBOC-L2-S7-P-M8-G14-E
			4		8180685	VBOC-L2-S7-P-M12-G14-E
	G3/8	G3/8	3	147.2 g	8180903	VBOC-L2-S7-P-M8-G38-E
			4	154.2 g	8180904	VBOC-L2-S7-P-M12-G38-E
	G1/2	G1/2	3	257.6 g	8181283	VBOC-L2-S7-P-M8-G12-E
			4	264.6 g	8181284	VBOC-L2-S7-P-M12-G12-E