

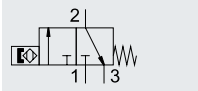
Proximity switches SMPO-8E, for T-slot, pneumatic

FESTO



Datasheet

Function
3/2-way valve,
normally closed



- Pneumatic proximity switch
- Magnetic measuring principle



Design	
Design type	For T-slot
Type of mounting	Inserted in the slot from above
	Via through-hole
	Via accessories
Outlet direction of connection	Lateral
Reproducibility of switching value ¹⁾	[mm] ±0.2
Switching status indication	Optical

1) Only applicable to drives secured against rotation.

Technical data	
Switching element function	3/2-way valve, normally closed
Operating medium	Compressed air to ISO 8573-1:2010 [6:4:4]
Note on the operating/pilot medium	Lubricated operation not possible
Operating pressure	[bar] 2 ... 8
Switch-on time	[ms] 22
Switch-off time	[ms] 52
Pneumatic connection	Female thread M5
Degree of protection	IP65

Operating and environmental conditions	
Ambient temperature	[°C] -15 ... +60
Corrosion resistance class CRC ¹⁾	2

1) Corrosion resistance class CRC 2 to Festo standard FN 940070

Moderate corrosion stress. Indoor applications in which condensation can occur. External visible parts with primarily decorative surface requirements which are in direct contact with a normal industrial environment.

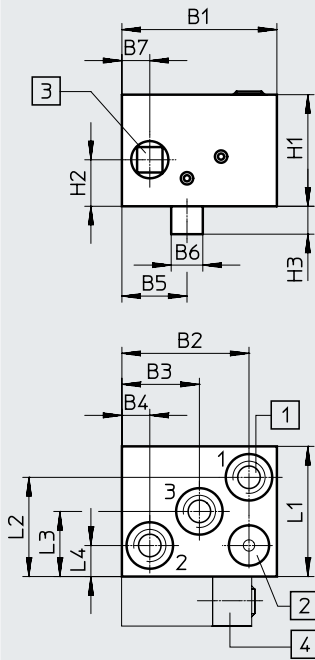
Materials	
Housing	Anodised aluminium
	High-alloy steel
	PA
Note on materials	Free of copper and PTFE
	RoHS-compliant

Product weight [g]	
Pneumatic proximity switch	11

Datasheet

Dimensions

Download CAD data → www.festo.com



- [1] M5 for barbed fitting
- [2] Yellow LED
- [3] Max. tightening torque 0.6 Nm (spanner size 2.5)
- [4] Mounting kit SMB-8E

Dimensions

	B1	B2	B3	B4	B5	B6	B7	H1	H2	H3	L1	L2	L3	L4
SMPO-8E	25	20.5	12.5	4.5	±0.3	±0.05	±0.2	18	7.5	4.5	21	16	10.5	5

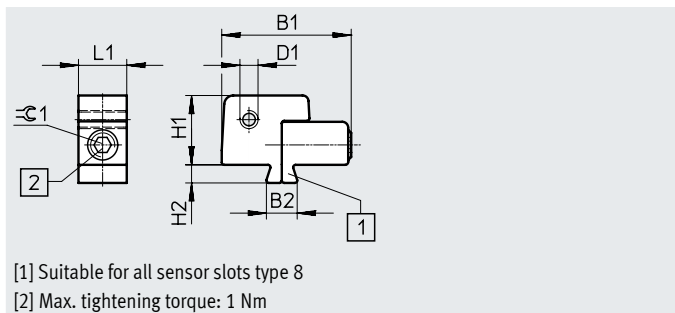
Ordering data

	Pneumatic connection	Part no.	Type
	3/2-way valve, normally closed		
	Female thread M5	178563	SMPO-8E

Accessories

Mounting kit SMB-8E

Material:
 Profile: Anodised aluminium,
 RoHS-compliant
 Screws: High-alloy stainless steel

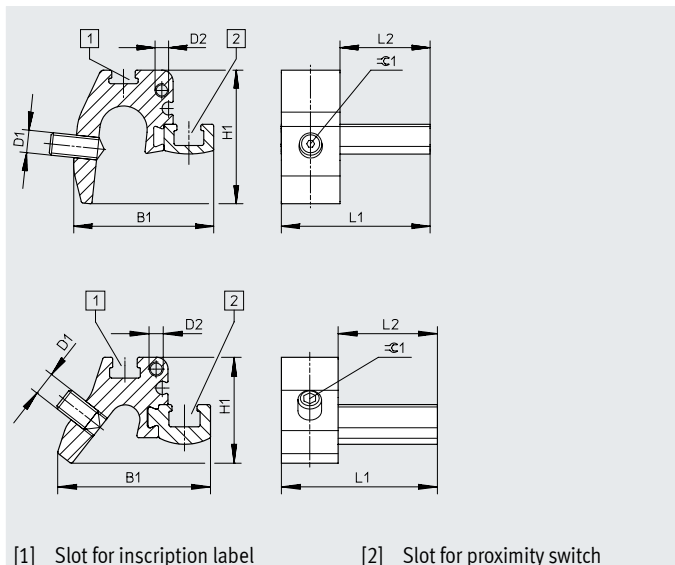


Dimensions and ordering data

For piston \varnothing	B1 +0.5/-1	B2 -0.2	D1	H1	H2 +0.2	L1 ± 0.2	$\approx \varnothing 1$	Part no.	Type
10 ... 125	21.5	5.1	M3	11.5	3	8	2.5	178230	SMB-8E

Mounting SMBZ-8-...

Design type: For tie rod
 Mounting position: Any
 Type of mounting: Clamped
 Tightening torque: ≤ 0.5 Nm
 Ambient temperature:
 -40 ... +120 °C
 PWIS conformity:
 VDMA24364-B2-L



Dimensions and ordering data

For piston \varnothing	B1	D1	D2	H1	L1	L2	$\approx \varnothing 1$	Product weight [g]	CRC ¹⁾	Part no.	Type
32 ... 100	31	M5	M3	30	33	20	1.5	14	2	537806	SMBZ-8-32/100
125 ... 320	32.3			22			2.5				

1) Corrosion resistance class CRC 2 to Festo standard FN 940070
 Moderate corrosion stress. Indoor applications in which condensation can occur. External visible parts with primarily decorative surface requirements which are in direct contact with a normal industrial environment.

Ordering data

		[mm]	Part no.	Type	Datasheets → Internet: qs
	Push-in fitting with connecting thread M5 for tubing O.D.	3	153302	QSM-M5-3	
		4	153304	QSM-M5-4	
		6	153306	QSM-M5-6	
	Push-in L-fitting with connecting thread M5 for tubing O.D.	3	153331	QSML-M5-3	
		4	153333	QSML-M5-4	
		6	153335	QSML-M5-6	