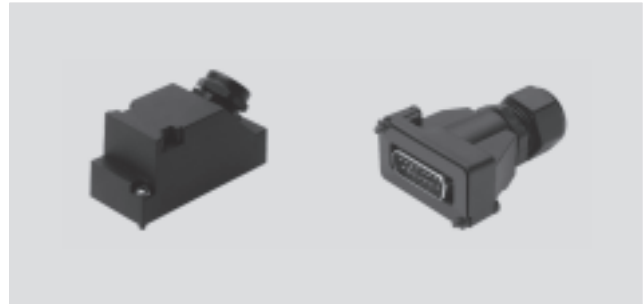


# Plug connectors SD-SUB-D-ST for valves, for self-assembly

Technical data

Plug connector SD-SUB-D-ST

- Plug for inputs/outputs
- Can be assembled with any cable lengths
- 15-pin or 25-pin
- Sub-D



General technical data		SD-SUB-D-ST
Type	SD-SUB-D-ST	
Type of mounting	2x M3x16 screws	
Mounting position	Any	
Operating voltage range	[V AC]	Max. 250
	[V DC]	Max. 250
Acceptable current load	[A]	5
Protection class to EN 60529	IP65 (assembled)	

Materials		
Type	SD-SUB-D-ST-15	SD-SUB-D-ST-25
Housing	PA	
Seals	Neoprene	NBR
Note on materials	RoHS-compliant	
Pin contact	Gold-plated copper base alloy	

Operating and environmental conditions		
Ambient temperature	[°C]	-20 ... +80

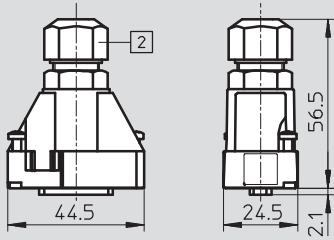
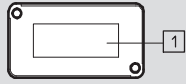
# Plug connectors SD-SUB-D-ST for valves, for self-assembly

Technical data

## Dimensions

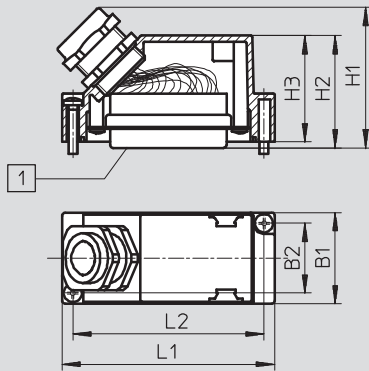
Download CAD data → [www.festo.com](http://www.festo.com)

### SD-SUB-D-ST-15



- 1 Plug, 15-pin, Sub-D
- 2 Cable connector Pg9

### SD-SUB-D-ST-25



Type	1	B1	B2	H1	H2	H3	L1	L2
SD-SUB-D-ST25	Plug, 25-pin, Sub-D	30	23	47	37	35	70	63

## Ordering data

	Electrical connection	Cable connector	Perm. cable Ø [mm]	Weight [g]	Part No.	Type
	Plug, 15-pin, Sub-D	Pg9	6 ... 9	37	192768	SD-SUB-D-ST15
	Plug, 25-pin, Sub-D	Pg11	7 ... 12	51	527522	SD-SUB-D-ST25