

Click fitting NPKA

FESTO



Characteristics

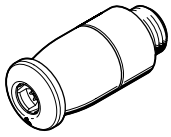
At a glance

Lightweight, corrosion-free polymer click fitting.

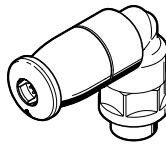
- Simple tube installation thanks to the “one-click principle”
- Free from copper, fluorine and silicone
- Suitable for use in the food industry
- Hydrolysis-resistant and suitable for water applications.
- Operating medium: compressed air, vacuum, water
- Cleanroom-compatible with suitable plastic tubing: PAN, PAN-R, PAN-MF, PAN-VO, PFAN, PEN, PLN, PUN, PUN-DUO, PUN-CM, PUN-H, PUN-H-DUO, PUN-H-F, PUN-H-SF, PUN-VO

Design

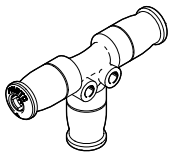
[D] Straight



[L] L-shape



[T] T-shape



Type code

001	Series	
NPKA	Click fitting	

002	Design	
D	Straight	
L	L-shape	
T	T-shape	

003	Pneumatic connection 1	
G18	G1/8	
Q6	Push-in connector 6 mm	

004	Pneumatic connection 2	
E	Same size as connection 1	
Q6	Push-in connector 6 mm	

005	Packaging quantity [pieces]	
P10	10	

Datasheet

General technical data

Size	Standard	
Pneumatic connection, port 1	Male thread G1/8	For tubing outside diameter of 6 mm
Pneumatic connection, port 2	For tubing outside diameter of 6 mm	
Nominal size	4 mm	
Tubing insertion depth	25.8 mm	
Mounting position	optional	
Design	Push-pull principle	
Type of seal on screwed plug	Sealing ring	-
Max. tightening torque	2 Nm	-
Nominal torque	1.25 Nm	-
Tolerance for nominal tightening torque	± 20%	-
Size of pack	10	

Operating and environmental conditions

Operating pressure	-0.095 ... 1 MPa	
Operating pressure	-0.95 ... 10 bar	
Operating pressure	-13.775 ... 145 psi	
Note on operating pressure	Water: max. 0.6 MPa at 0 - 50°C	
Operating medium	Compressed air to ISO 8573-1:2010 [7:::] Water (liquid, ice-free)	
Note on operating and pilot medium	Lubricated operation possible	
Ambient temperature ¹⁾	-10 ... 60°C	
Suitable for use with food	See supplementary material information	

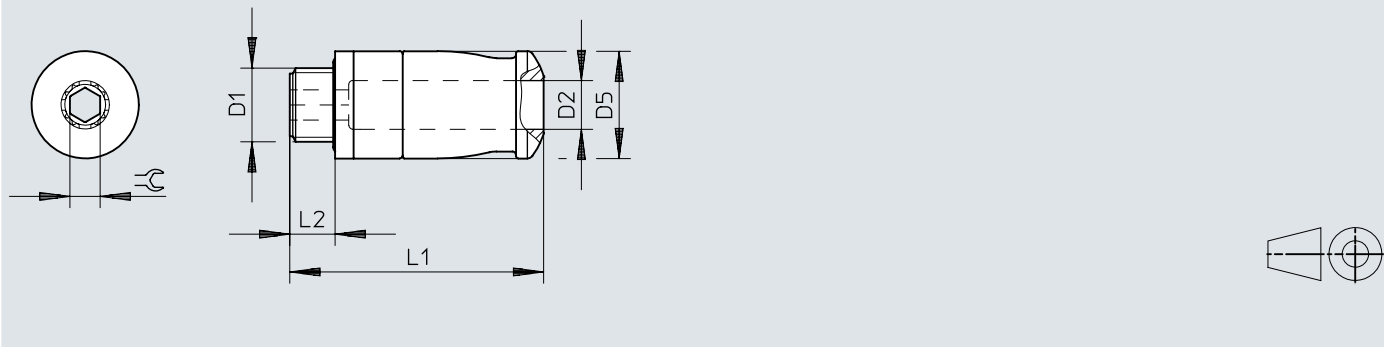
1) Note the operating range of the plastic tubing.

Materials

Material housing	PA66-GF30
Material thread seal	NBR
Material sleeve	POM
Material tubing seal	NBR
Note on materials	RoHS-compliant
LABS (PWIS) conformity	VDMA24364-B2-L

Dimensions

Dimensions – Click fitting NPKA-D

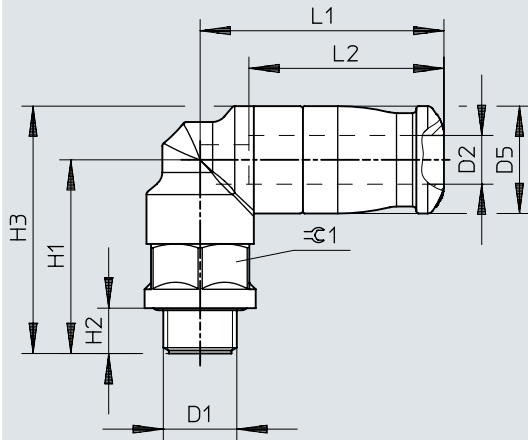
Download CAD data → www.festo.com

	D1	D2	D5 ∅	L1	L2	⊕
NPKA-D-G18-Q6-P10	G1/8	6	14,2	33,6	6	4

Dimensions

Dimensions – Elbow click fitting NPKA-L

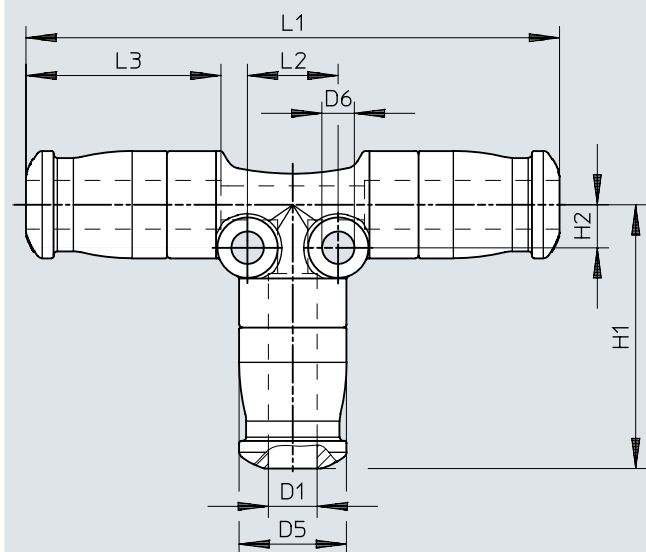
Download CAD data → www.festo.com



	D1	D2	D5 ∅	H1	H2	H3	L1	L2	≠G1
NPKA-L-G18-Q6-P10	G1/8	6	14,2	25,6	6	32,7	32,3	25,8	13

Dimensions


Dimensions – Click T-connector NPKA-T

Download CAD data → www.festo.com


	D1	D5 ∅	D6 ∅	H1	H2	L1	L2	L3
NPKA-T-Q6-E-P10	6	14,2	4,3	35	5,7	70,6	12	25,8

Ordering data


Ordering data – click fitting

	Pneumatic connection, port 1	Pneumatic connection, port 2	Size of pack	Product weight	Part no.	Type
	Male thread G1/8	For tubing outside diameter of 6 mm	10	4.2 g	1243489	NPKA-D-G18-Q6-P10

Ordering data – elbow click fitting

	Pneumatic connection, port 1	Pneumatic connection, port 2	Size of pack	Product weight	Part no.	Type
	Male thread G1/8	For tubing outside diameter of 6 mm	10	7.5 g	1655429	NPKA-L-G18-Q6-P10

Ordering data – click T-connector

	Pneumatic connection, port 1	Pneumatic connection, port 2	Size of pack	Product weight	Part no.	Type
	For tubing outside diameter of 6 mm	For tubing outside diameter of 6 mm	10	12.5 g	1590710	NPKA-T-Q6-E-P10