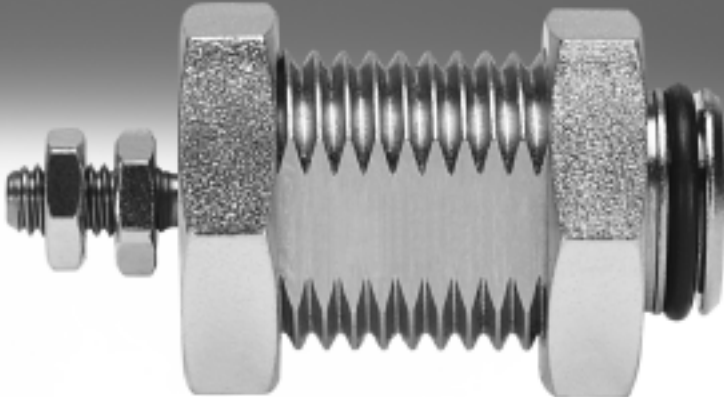
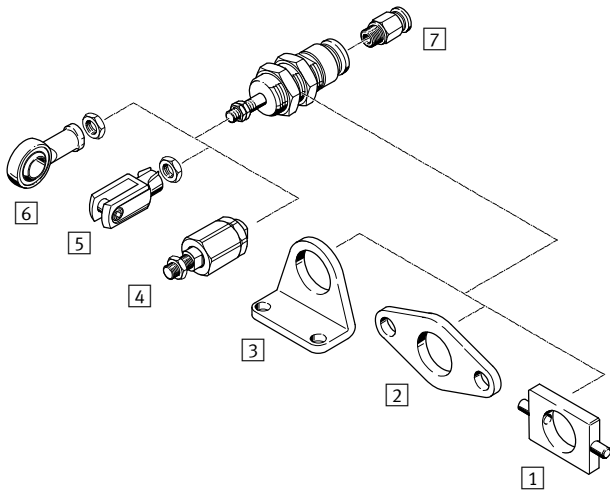


Cartridge cylinders EGZ

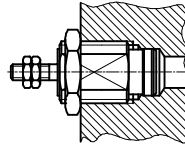


# Cartridge cylinders EGZ

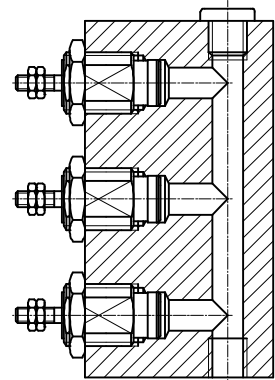
Peripherals overview and type codes



Installation without mounting attachments



Minimal installation space required



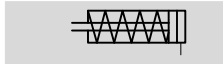
Mounting attachments and accessories					
	Description	Piston Ø 6 mm	Piston Ø 10 mm	Piston Ø 16 mm	→ Page/Internet
1	Swivel mounting WBN	-	■	■	6
2	Flange mounting FBN	-	■	■	5
3	Foot mounting HBN	-	■	■	5
4	Self-aligning rod coupler FK	-	■	■	6
5	Rod clevis SG	-	■	-	6
6	Rod eye SGS	-	■	-	6
7	Push-in fitting QS	■	■	■	qs

EGZ		-	16	-	10
<b>Type</b>					
Single acting, pushing					
EGZ	Cartridge cylinder				
<b>Piston Ø [mm]</b>					
<b>Stroke [mm]</b>					

# Cartridge cylinders EGZ

Technical data

Function



- $\varnothing$  - Diameter  
6 ... 16 mm
- | - Stroke length  
5 ... 15 mm



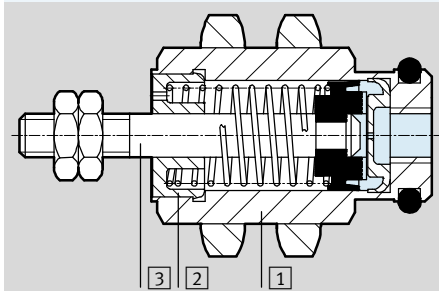
General technical data			
Piston $\varnothing$	6	10	16
Pneumatic connection	M3	M5	M5
End of piston rod Male thread	M3	M4	M5
Operating medium	Compressed air in accordance with ISO 8573-1:2010 [7:-:-]		
Constructional design	Piston Piston rod		
Cushioning	None		
Position sensing	None		
Type of mounting	With lock nut With accessories		
Mounting position	Any		

Operating and environmental conditions			
Piston $\varnothing$	6	10	16
Operating pressure [bar]	2 ... 8		
Ambient temperature [°C]	-20 ... +80		

Forces and permitted applied load [N]									
Piston $\varnothing$	6			10			16		
Stroke	5	10	15	5	10	15	5	10	15
Theoretical force at 6 bar, advancing	14			42			109		
Spring return force	1.5	2.1	1.6	4	3.5	3	10	8.8	7.5
Maximum applied load at the piston rod	0.10			0.15			0.20		

## Materials

Sectional view



Cylinder	
1 Housing	Brass, nickel-plated
2 Cover	Polyacetal
3 Piston rod	High-alloy steel
- Note on materials	Conforms to RoHS

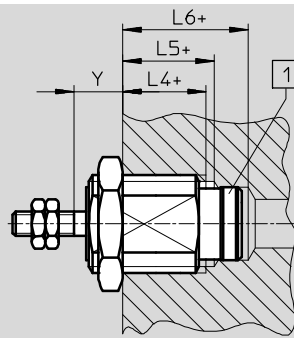
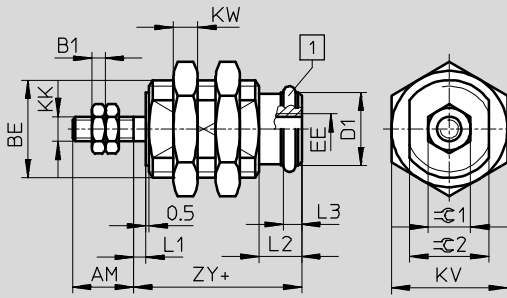
# Cartridge cylinders EGZ

Technical data

FESTO

## Dimensions

Download CAD data → [www.festo.com](http://www.festo.com)



1 O-ring  
+ = plus stroke length

∅	AM	B1	BE	D1 ∅ H7/f8	EE	KK	KV	KW	L1	L2	L3
[mm]							h13				
6 <sup>1)</sup>	7	1.8	M10x1	7.6	M3	M3	13	3.5	1.5	6	2.4
6 <sup>2)</sup>											
10	10	2.2	M16x1.5	12	M5	M4	19	4	2	7	3
16	12	2.7	M22x1.5	18.5	M5	M5	27	5	2	9	3.5

∅	L4 -Y +1	L5 -Y -1	L6 -Y +1	Y		ZY	C1 h13	C2 h13
				min.	max. + stroke			
[mm]								
6 <sup>1)</sup>	9	11	15.5	6	5	15	5.5	8
6 <sup>2)</sup>	11	13	17.5	6	7	17		
10	11	13	18.5	7	6	17.5	7	13
16	13	16	21	8	6	20.5	8	19

- 1) 5 mm stroke  
2) 10 and 15 mm stroke

## Ordering data<sup>1)</sup>

Stroke [mm]	Part No.	Type	Stroke [mm]	Part No.	Type
Piston ∅ 6 mm			Piston ∅ 10 mm		
5	15033	EGZ-6-5	5	15036	EGZ-10-5
10	15034	EGZ-6-10	10	15037	EGZ-10-10
15	15035	EGZ-6-15	15	15038	EGZ-10-15
Piston ∅ 16 mm					
5	15039	EGZ-16-5			
10	15040	EGZ-16-10			
15	15041	EGZ-16-15			

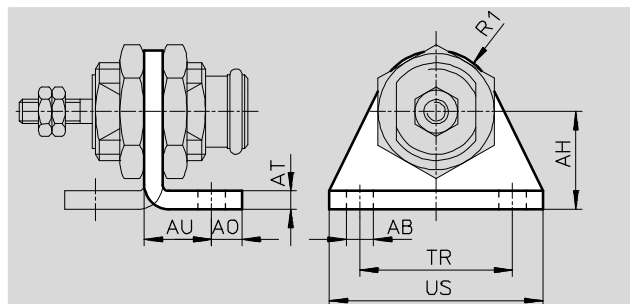
1) Two hex nuts each for the male cylinder thread and for the piston thread are included in the scope of delivery.

# Cartridge cylinders EGZ

Accessories

## Foot mounting HBN for piston $\varnothing$ 10, 16 mm

Material:  
Steel  
Free of copper and PTFE  
RoHS-compliant



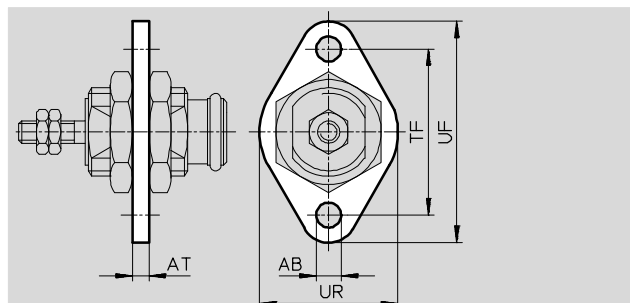
### Dimensions and ordering data

For $\varnothing$	Minimum stroke lengths	AB $\varnothing$	AH	AO	AT	AU	R1	TR	US	CRC <sup>1)</sup>	Weight [g]	Part No.	Type
10	5	5.5	20	6	4	14	13	32	42	1	43	5125	HBN-12/16X1
16	7	6.6	25	8	5	17	20	40	54	1	95	5127	HBN-20/25X1

1) Corrosion resistance class CRC 1 to Festo standard FN 940070  
Low corrosion stress. For dry indoor applications or transport and storage protection. Also applies to parts behind covers, in the non-visible interior area, and parts which are covered in the application (e.g. drive trunnions).

## Flange mounting FBN for piston $\varnothing$ 10, 16 mm

Material:  
Steel  
Free of copper and PTFE



### Dimensions and ordering data

For $\varnothing$	Minimum stroke lengths	AB $\varnothing$	AT	TF	UF	UR	CRC <sup>1)</sup>	Weight [g]	Part No.	Type
10	5	5.5	4	40	53	30	1	26	5130	FBN-12/16
16	7	6.6	5	50	68	40	1	52	5131	FBN-20/25

1) Corrosion resistance class CRC 1 to Festo standard FN 940070  
Low corrosion stress. For dry indoor applications or transport and storage protection. Also applies to parts behind covers, in the non-visible interior area, and parts which are covered in the application (e.g. drive trunnions).

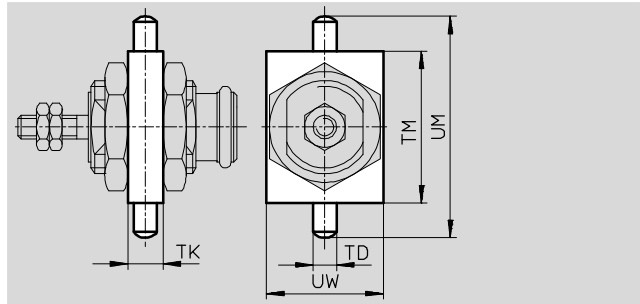
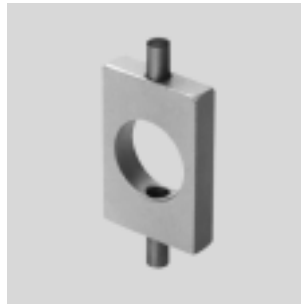
# Cartridge cylinders EGZ

Accessories



## Swivel mounting WBN for piston Ø 10, 16 mm

Material:  
Galvanised steel  
Free of copper and PTFE  
RoHS-compliant



Dimensions and ordering data									
For Ø	Minimum stroke lengths	TD Ø -0.01/-0.05	TK	TM	UM	UW	Weight [g]	Part No.	Type
10	9	6	8	38	58	25	51	<b>8609</b>	<b>WBN-12/16</b>
16	10	6	8	46	66	30	67	<b>8610</b>	<b>WBN-20/25</b>

Ordering data – Piston rod attachments				Technical data → Internet: piston-rod attachment			
Designation	For Ø	Part No.	Type	Designation	For Ø	Part No.	Type
<b>Rod eye SGS</b>				<b>Rod clevis SG</b>			
	10	<b>9253</b>	<b>SGS-M4</b>		10	<b>6532</b>	<b>SG-M4</b>
<b>Self-aligning rod coupler FK</b>							
	10	<b>6528</b>	<b>FK-M4</b>				
	16	<b>30984</b>	<b>FK-M5</b>				